



US00D583340S

(12) **United States Design Patent**
Montin et al.

(10) **Patent No.:** **US D583,340 S**
(45) **Date of Patent:** **** Dec. 23, 2008**

(54) **HANDSET**

(75) Inventors: **Petri Montin**, Oulu (FI); **Anton Fahlgren**, Copenhagen (DK); **Khodi Feiz**, Amsterdam (NL)

(73) Assignee: **Nokia Corporation**, Espoo (FI)

(**) Term: **14 Years**

(21) Appl. No.: **29/282,097**

(22) Filed: **Jul. 11, 2007**

(30) **Foreign Application Priority Data**

Jan. 19, 2007 (FI) M20070017

(51) **LOC (8) Cl.** **14-03**

(52) **U.S. Cl.** **D14/138**

(58) **Field of Classification Search** D14/137,
D14/138, 147, 191, 218, 247-248, 341-347,
D14/496; D10/65, 78, 104; D13/168; D18/7;
455/556.1, 575.1, 575.3, 575.4; 345/169
See application file for complete search history.

(56) **References Cited**

U.S. PATENT DOCUMENTS

D495,695 S * 9/2004 Yugaya D14/346

(Continued)

FOREIGN PATENT DOCUMENTS

WO DM/069146 * 7/2007
WO DM/069147 * 7/2007

OTHER PUBLICATIONS

Nokia 6110 Navigator, announced Feb. 2007, [online], [retrieved on Feb. 16, 2007]. Retrieved from Internet <URL: <http://www.gsmarena.com>>.*

Philips 960, announced Jul. 2005, [online], [retrieved on Feb. 20, 2007]. Retrieved from Internet <URL: <http://www.gsmarena.com>>.*

Nokia Model # 5310, Nokia Corporation, 2 color sheets of photographs, disclosed on or about Aug. 2007.

Nokia Model # 5610, Nokia Corporation, 2 color sheets of photographs, disclosed on or about Aug. 2007.

Nokia Model # N80, Nokia Corporation, 6 color sheets of photographs, disclosed on or about Nov. 2005.

Nokia Model # N81, Nokia Corporation, 4 color sheets of photographs, disclosed on or about Aug. 2007.

Nokia Model # N95, Nokia Corporation, 7 color sheets of photographs, disclosed on or about Sep. 2006.

Primary Examiner—Jeffrey D Asch

Assistant Examiner—Bridget L Eland

(74) *Attorney, Agent, or Firm*—Banner & Witcoff, Ltd.

(57) **CLAIM**

The ornamental design for a handset, as shown and described.

DESCRIPTION

FIG. 1 is a bottom plan view of a handset showing our new design;

FIG. 2 is a right side view thereof;

FIG. 3 is a front view thereof;

FIG. 4 is a left side view thereof;

FIG. 5 is a top plan view thereof;

FIG. 6 is a rear view thereof;

FIG. 7 is a perspective front view thereof;

FIG. 8 is a perspective rear view thereof;

FIG. 9 is a front view of the handset of FIGS. 1-8 showing our new design in an alternative in-use position;

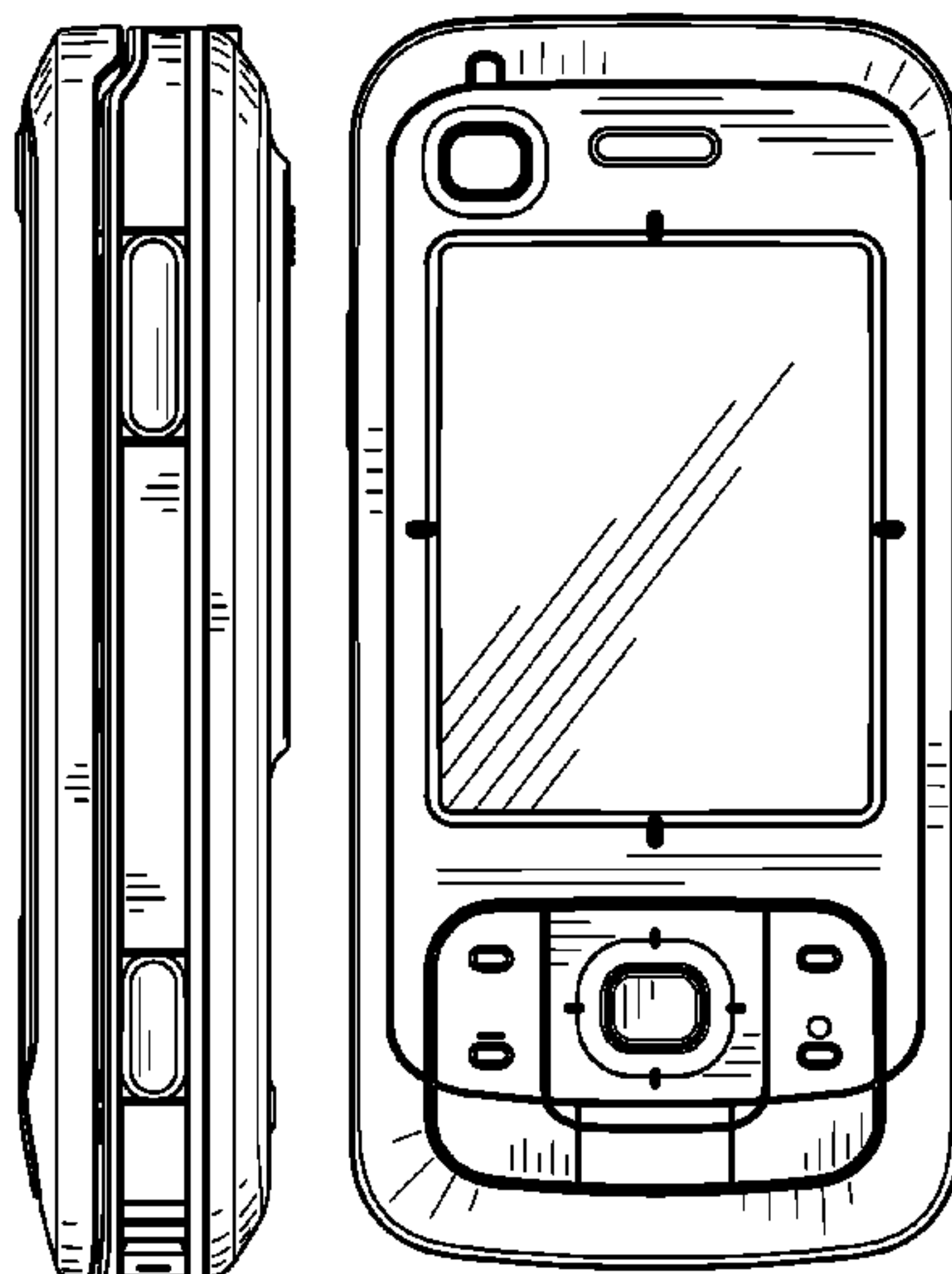
FIG. 10 is a perspective front view thereof;

FIG. 11 is a perspective rear view thereof;

FIG. 12 is a rear view of the handset of FIGS. 1-8 showing our new design in a second alternative in-use position; and,

FIG. 13 is a perspective rear view thereof.

1 Claim, 10 Drawing Sheets



US D583,340 S

Page 2

U.S. PATENT DOCUMENTS

| | | | | | | | | | |
|--------------|---------|-------------|-------|---------|-------------------|---------|---------------|-------|-----------|
| D508,473 S * | 8/2005 | Lee et al. | | D14/138 | D549,205 S * | 8/2007 | Cho | | D14/138 |
| D511,342 S * | 11/2005 | Chien | | D14/346 | D550,189 S * | 9/2007 | Kim et al. | | D14/138 |
| D517,038 S * | 3/2006 | Lee et al. | | D14/138 | D551,201 S * | 9/2007 | Kim et al. | | D14/138 |
| D525,608 S * | 7/2006 | Ryu | | D14/138 | D551,646 S * | 9/2007 | Kim et al. | | D14/138 |
| D525,609 S * | 7/2006 | Kim et al. | | D14/138 | D553,599 S * | 10/2007 | Lee et al. | | D14/138 |
| D527,364 S * | 8/2006 | Lee et al. | | D14/138 | D563,369 S * | 3/2008 | Kim et al. | | D14/138 |
| D529,475 S * | 10/2006 | Lee et al. | | D14/138 | D564,490 S * | 3/2008 | Kim et al. | | D14/138 |
| D533,530 S * | 12/2006 | Kim et al. | | D14/138 | 2005/0250532 A1 * | 11/2005 | Hwang et al. | | 455/550.1 |
| D534,890 S * | 1/2007 | Kim | | D14/138 | 2006/0063569 A1 * | 3/2006 | Jacobs et al. | | 455/575.1 |
| D536,691 S * | 2/2007 | Park | | D14/138 | 2006/0205450 A1 * | 9/2006 | Amano et al. | | 455/575.4 |
| D543,966 S * | 6/2007 | Peng et al. | | D14/138 | 2007/0049358 A1 * | 3/2007 | Kang et al. | | 455/575.1 |
| D545,289 S * | 6/2007 | Wang | | D14/138 | 2007/0232243 A1 * | 10/2007 | Chen | | 455/90.3 |
| D548,213 S * | 8/2007 | Lee et al. | | D14/138 | | | | | |

* cited by examiner

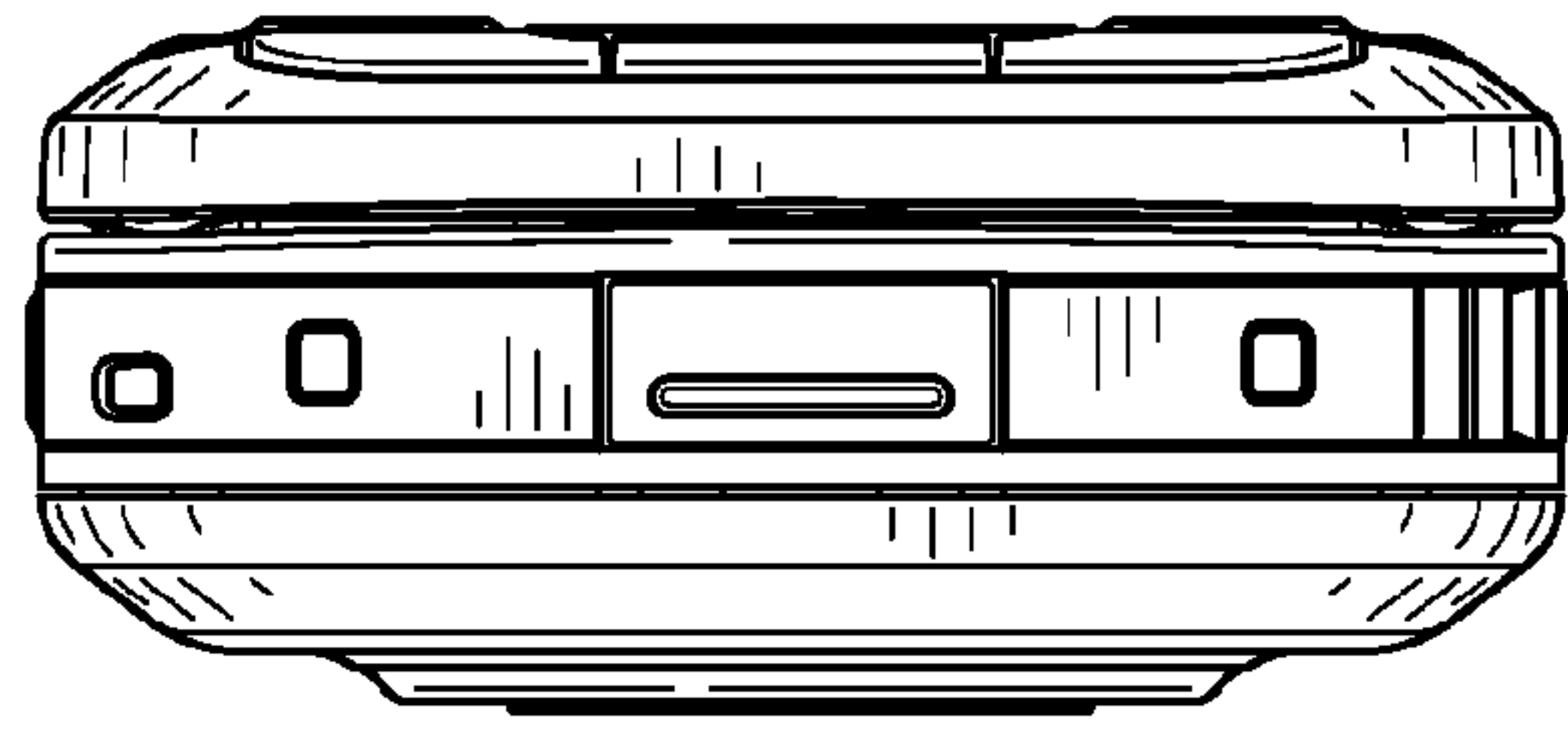


FIG. 1



FIG. 2

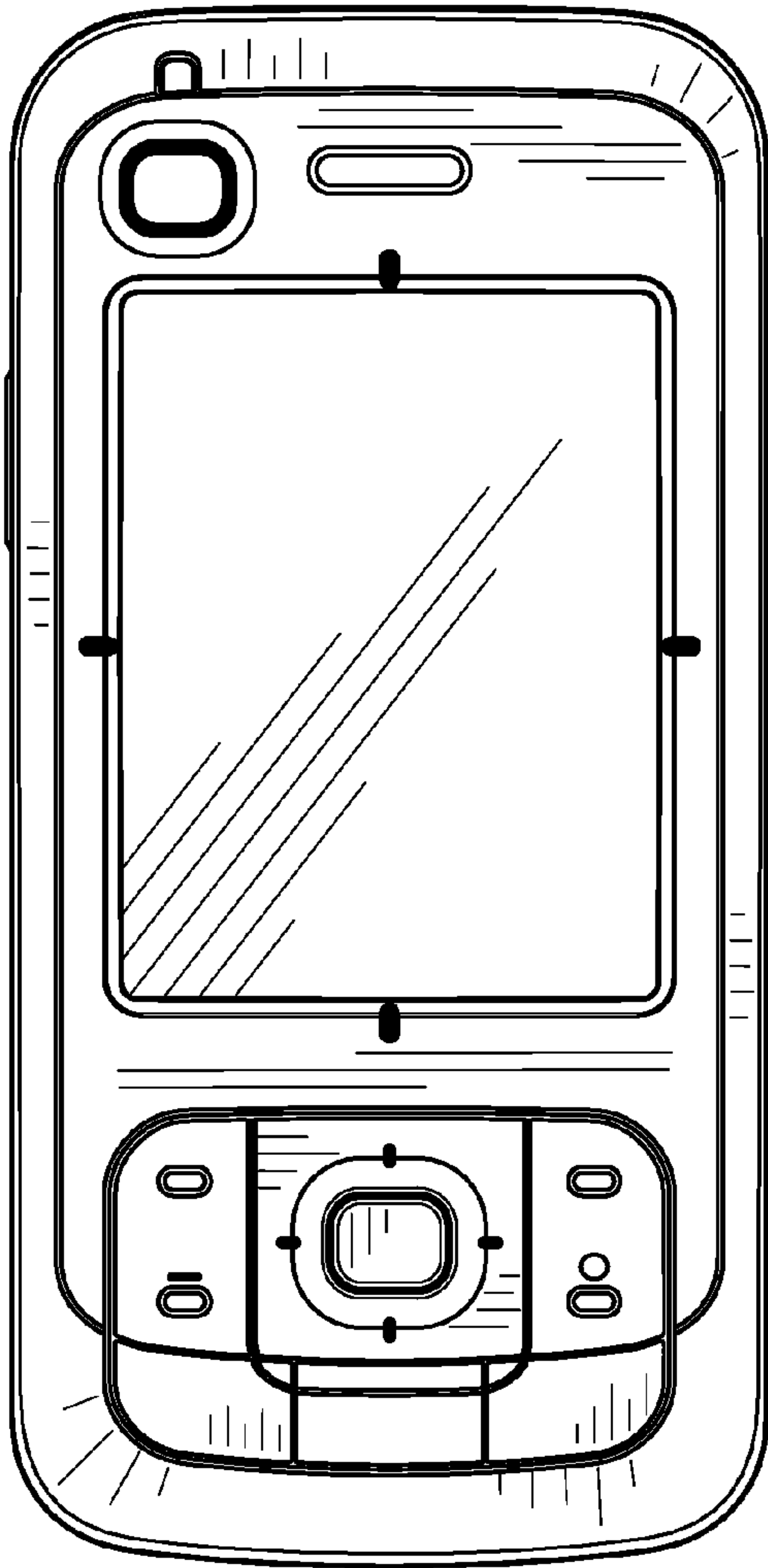


FIG. 3

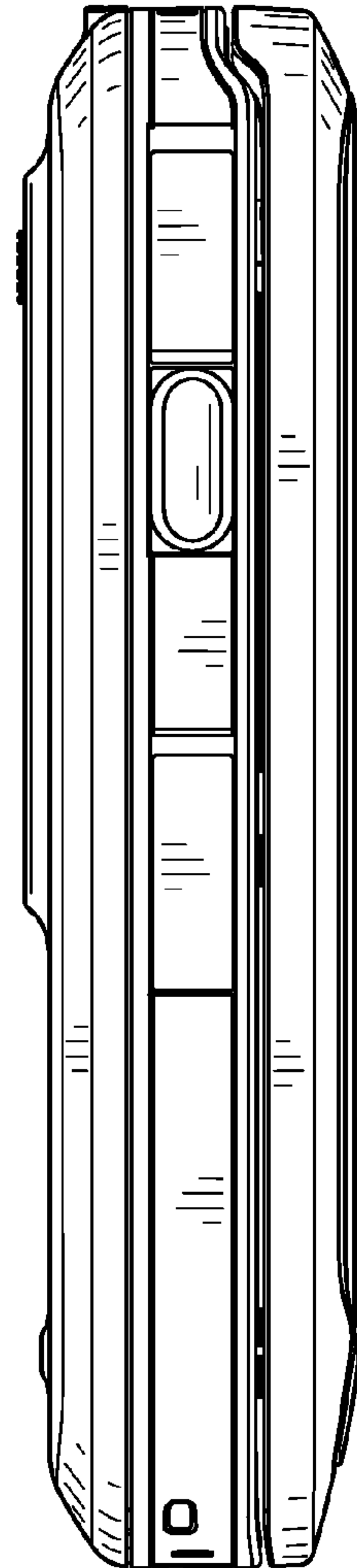


FIG. 4

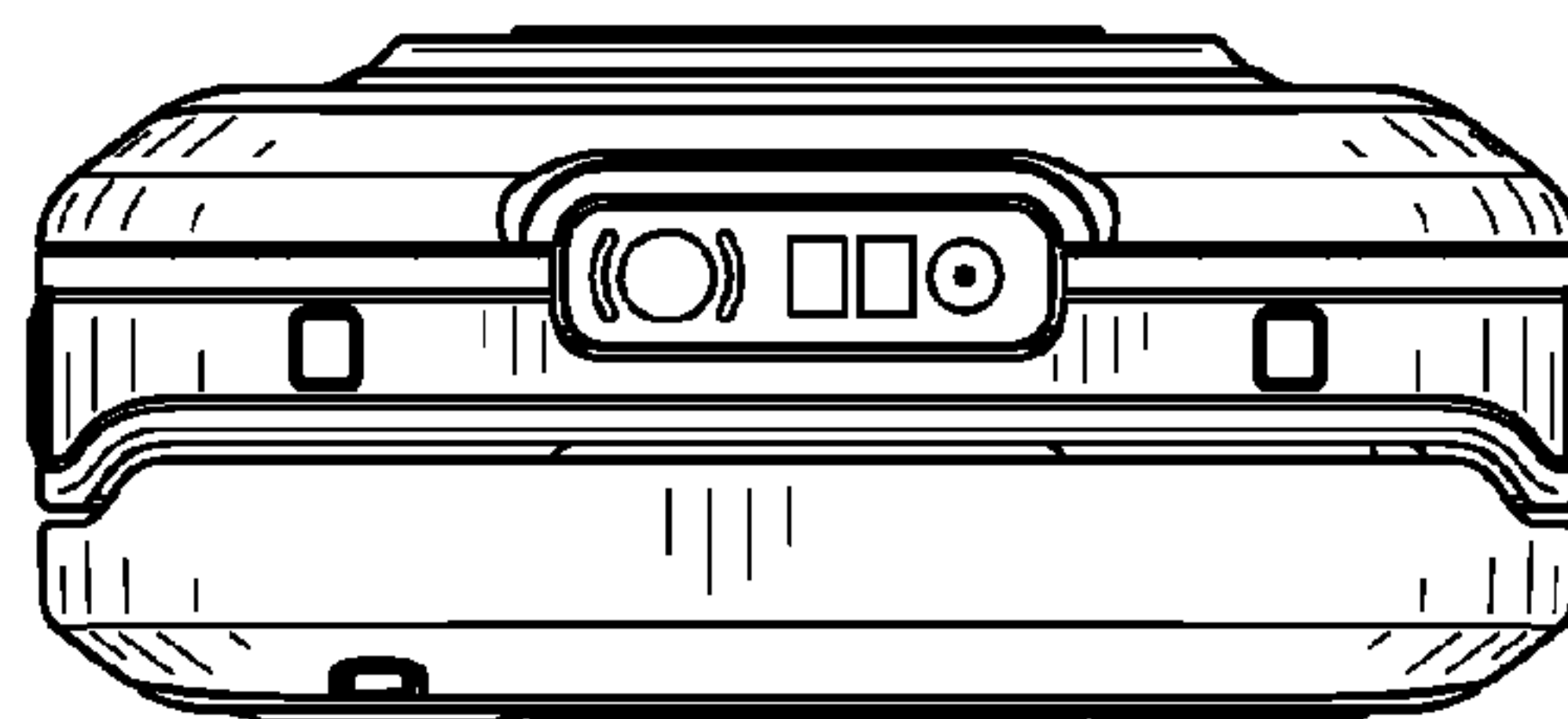


FIG. 5

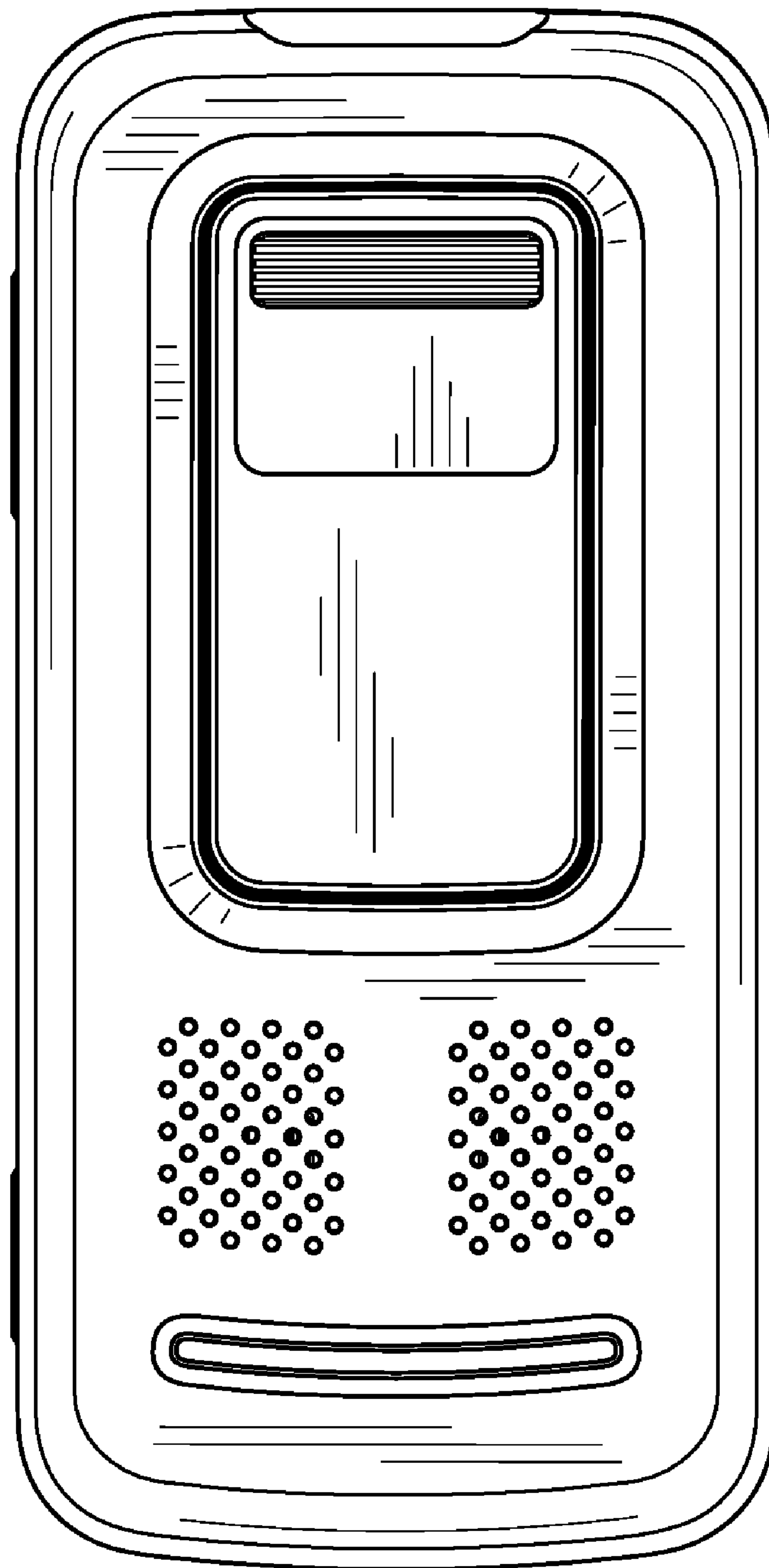


FIG. 6



FIG. 7

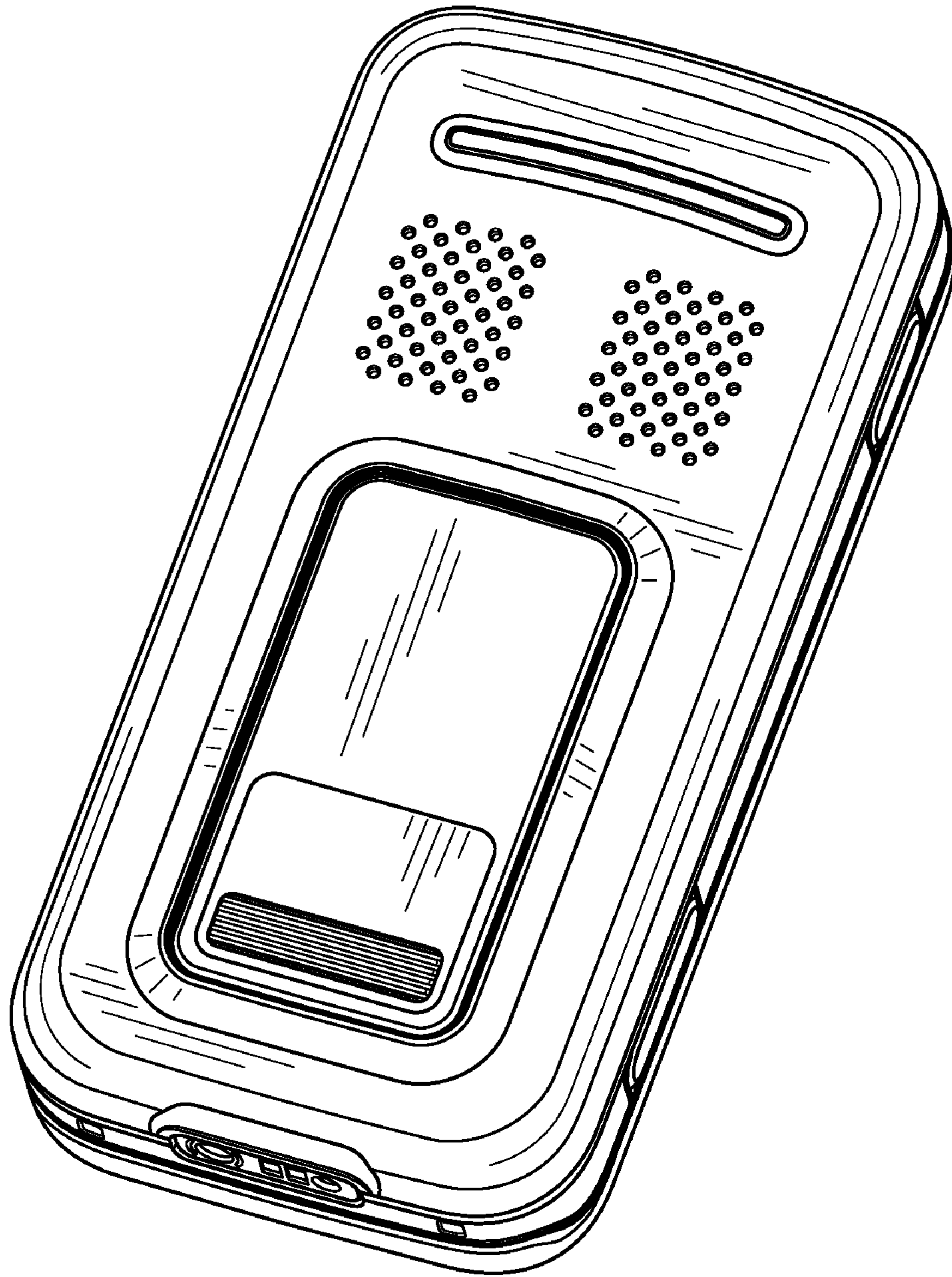


FIG. 8

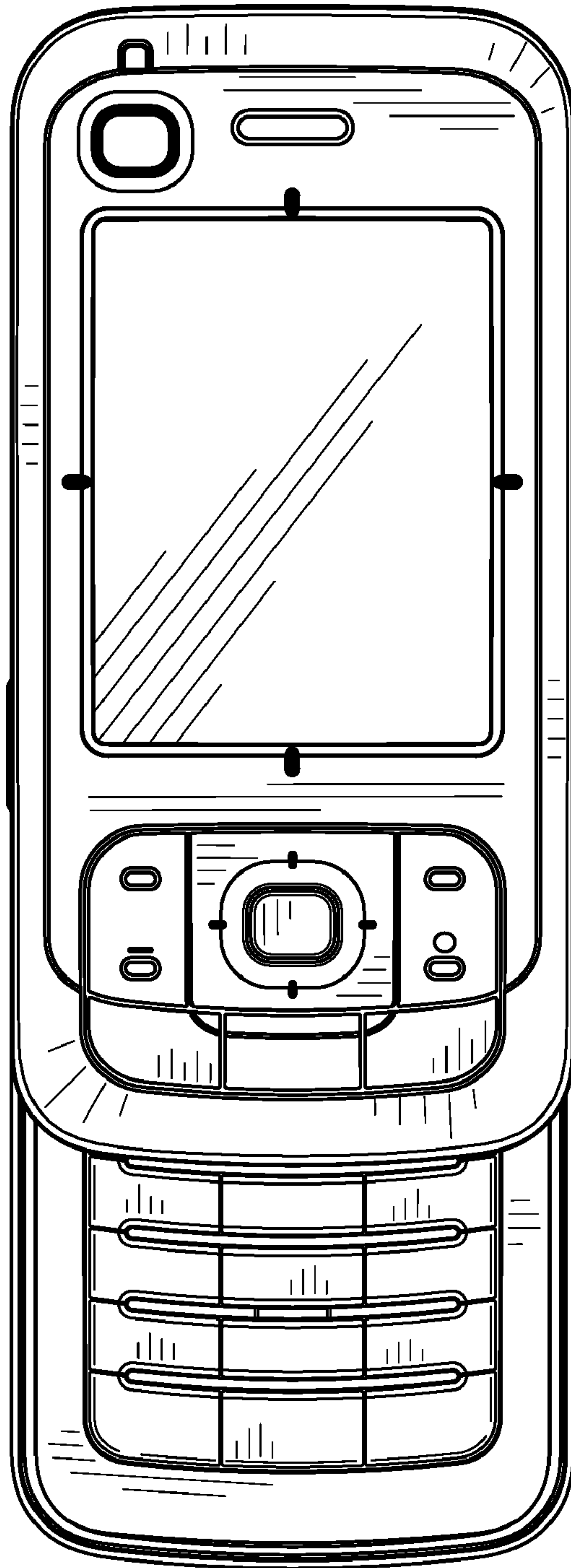


FIG. 9

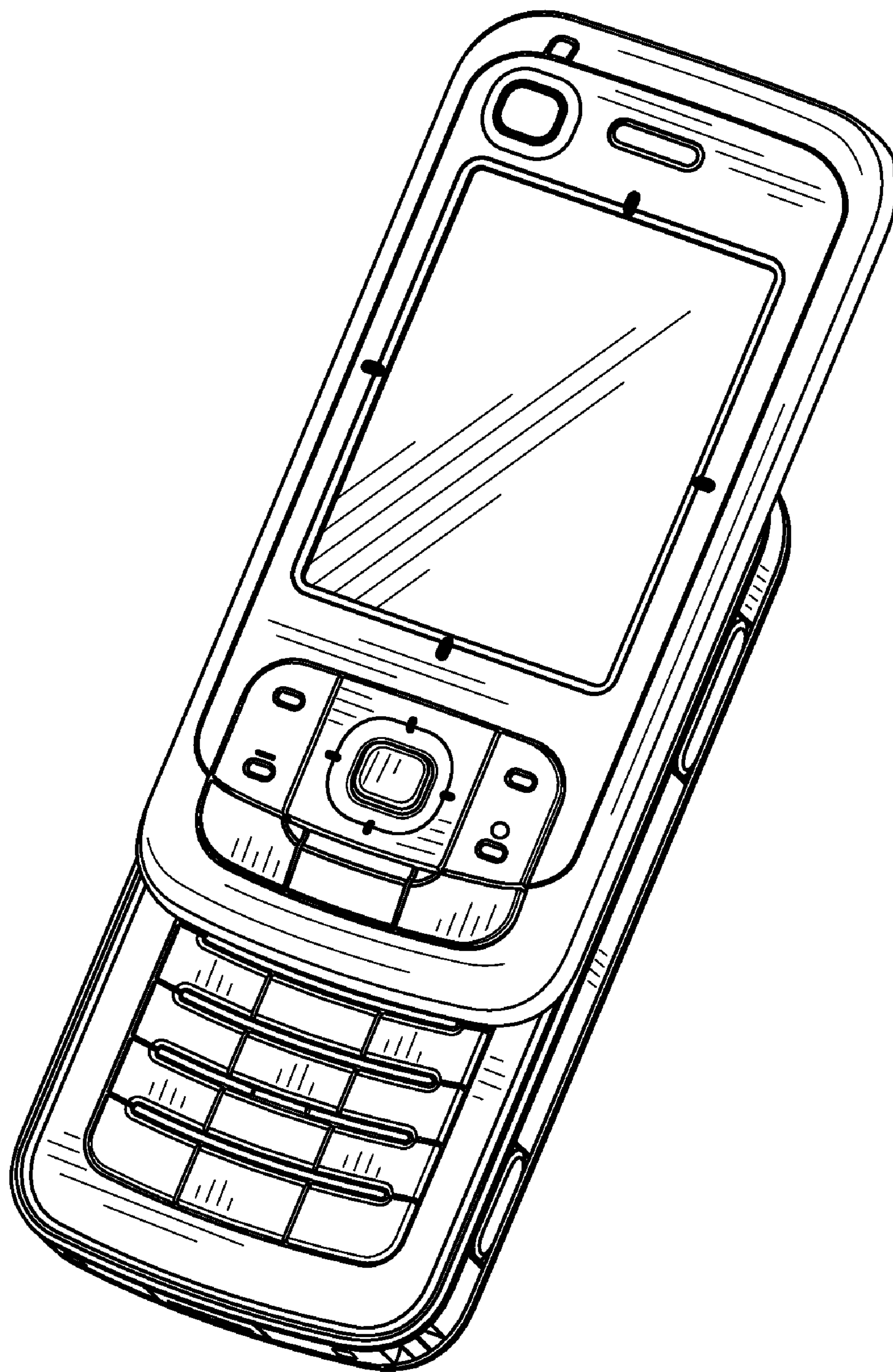


FIG. 10

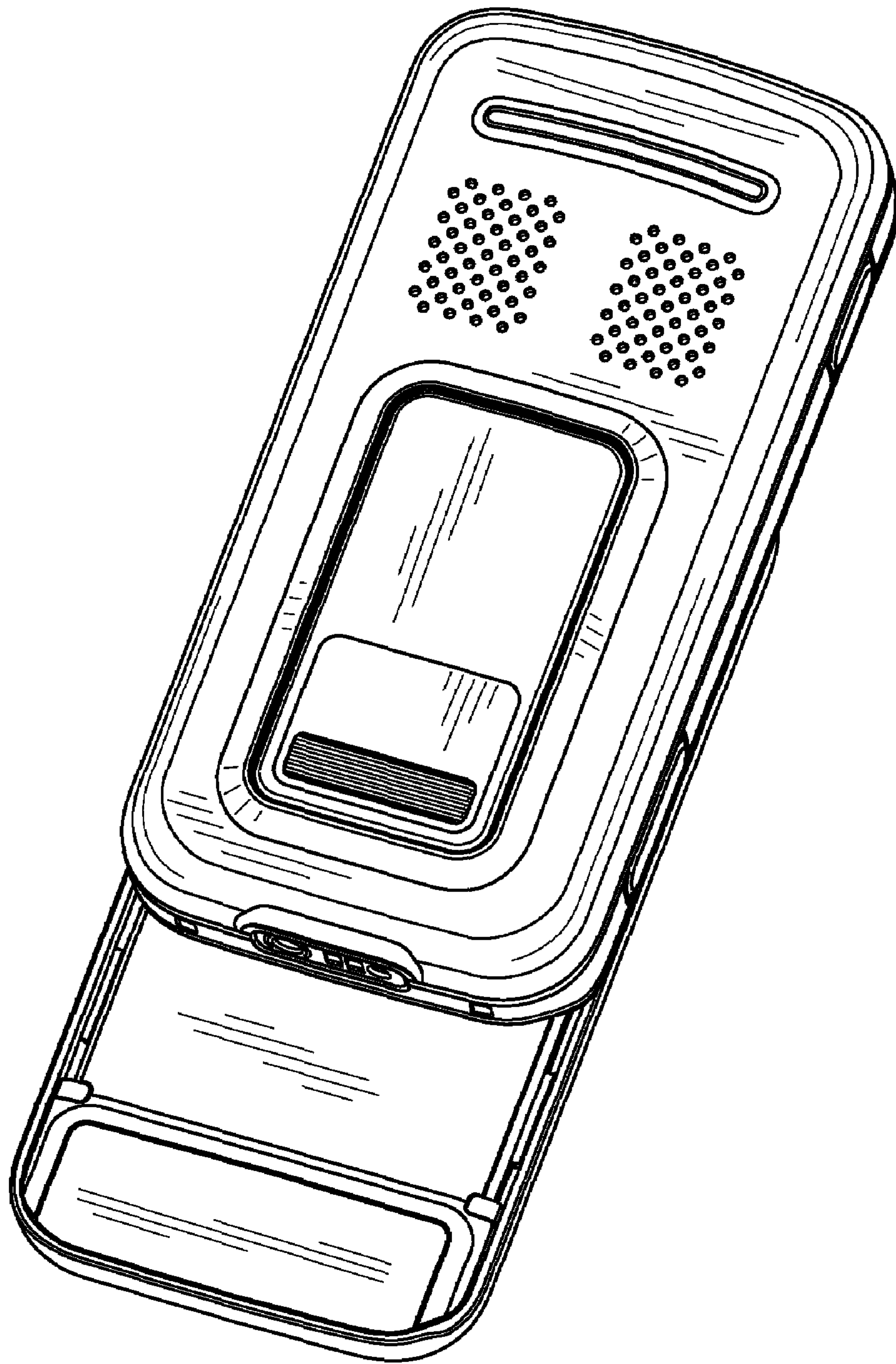


FIG. 11

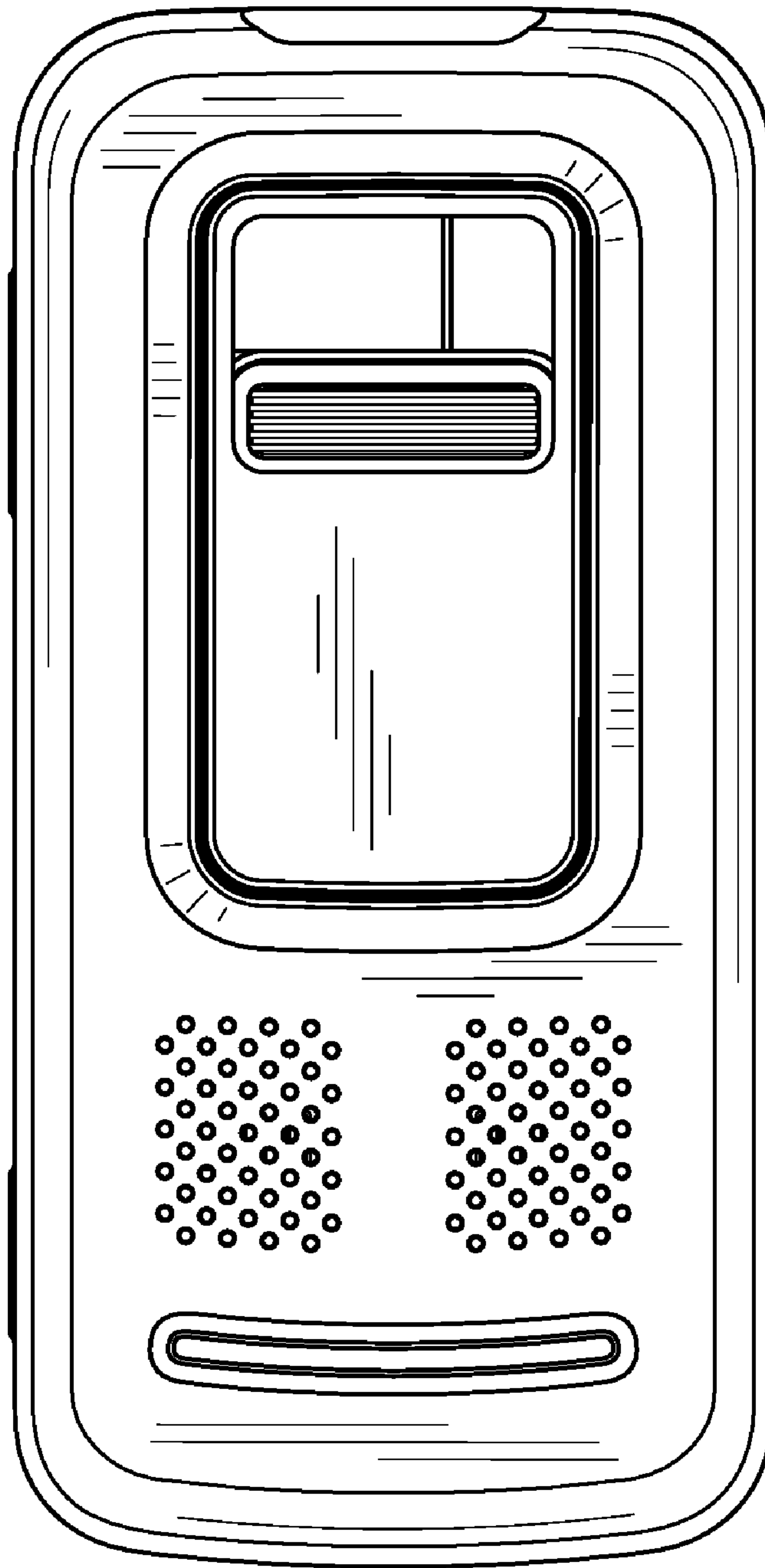


FIG. 12

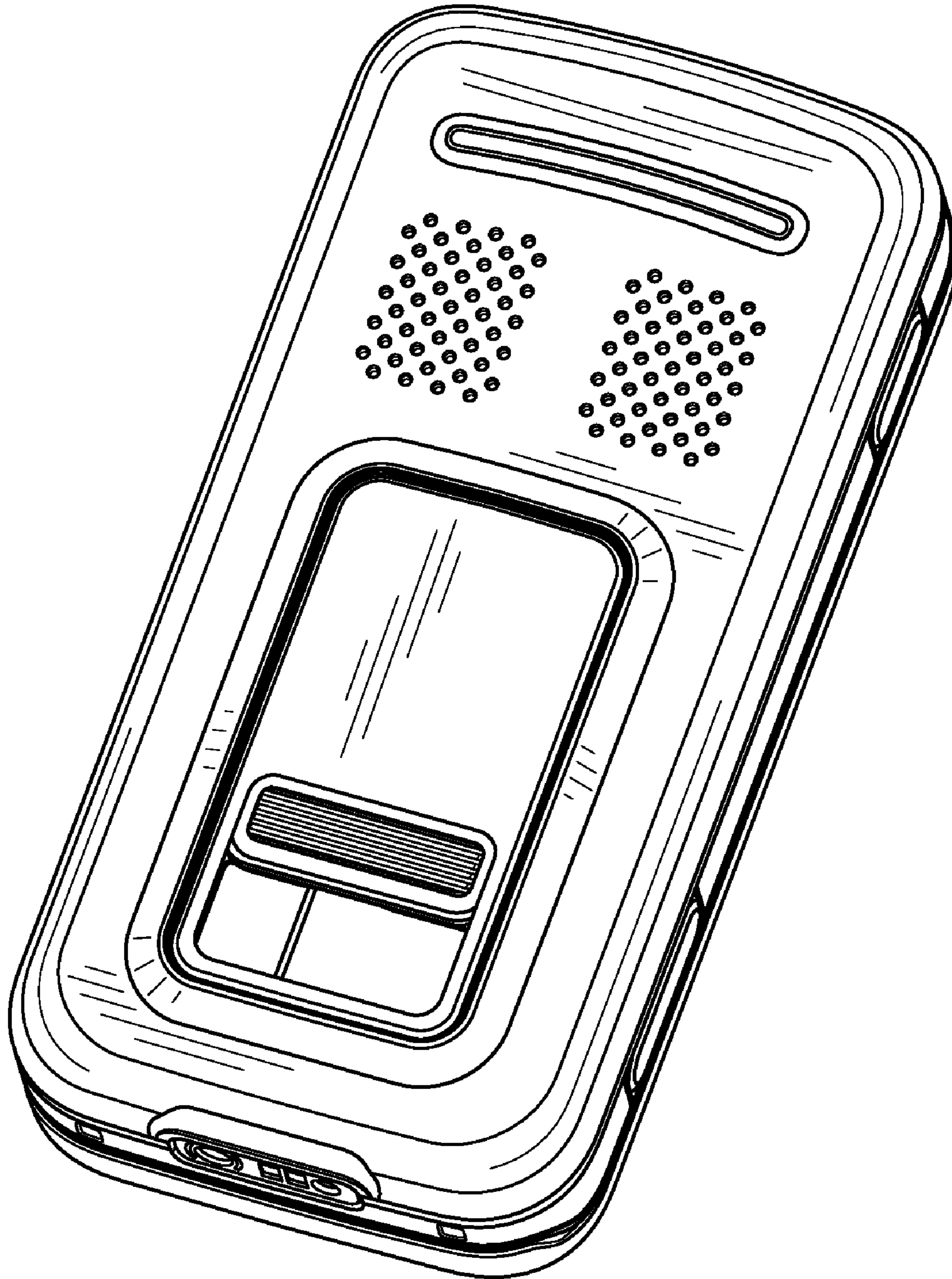


FIG. 13