



US00D583338S

(12) **United States Design Patent**  
**Edmond et al.**

(10) **Patent No.:** **US D583,338 S**  
(45) **Date of Patent:** **\*\* Dec. 23, 2008**

(54) **LED CHIP**

**DESCRIPTION**

(75) Inventors: **John Edmond**, Cary, NC (US); **James Ibbetson**, Santa Barbara, CA (US); **Michael John Bergmann**, Chapel Hill, NC (US); **Amber Christine Salter**, Durham, NC (US); **David Todd Emerson**, Chapel Hill, NC (US); **Ashay Chitnis**, Goleta, CA (US); **Bernd P. Keller**, Santa Barbara, CA (US); **Kevin Haberern**, Cary, NC (US)

(73) Assignee: **Cree, Inc.**, Durham, NC (US)

(\*\*) Term: **14 Years**

(21) Appl. No.: **29/284,434**

(22) Filed: **Sep. 7, 2007**

(51) **LOC (8) Cl.** ..... **13-03**

(52) **U.S. Cl.** ..... **D13/180**

(58) **Field of Classification Search** ..... D13/180;  
D26/2; 257/79, 80, 81, 88, 89, 95, 98, 99,  
257/100; 313/483, 498, 500; 362/555, 800

See application file for complete search history.

(56) **References Cited**

**U.S. PATENT DOCUMENTS**

6,097,040 A 8/2000 Morimoto et al.

(Continued)

**OTHER PUBLICATIONS**

Lumileds LED Die; Philips/Lumileds Light from Silicon Valley "LED Die," pp. 1-2, <<http://www.lumileds.com/products/line.cm?lineId=16>> (2006).

(Continued)

*Primary Examiner*—Selina Sikder

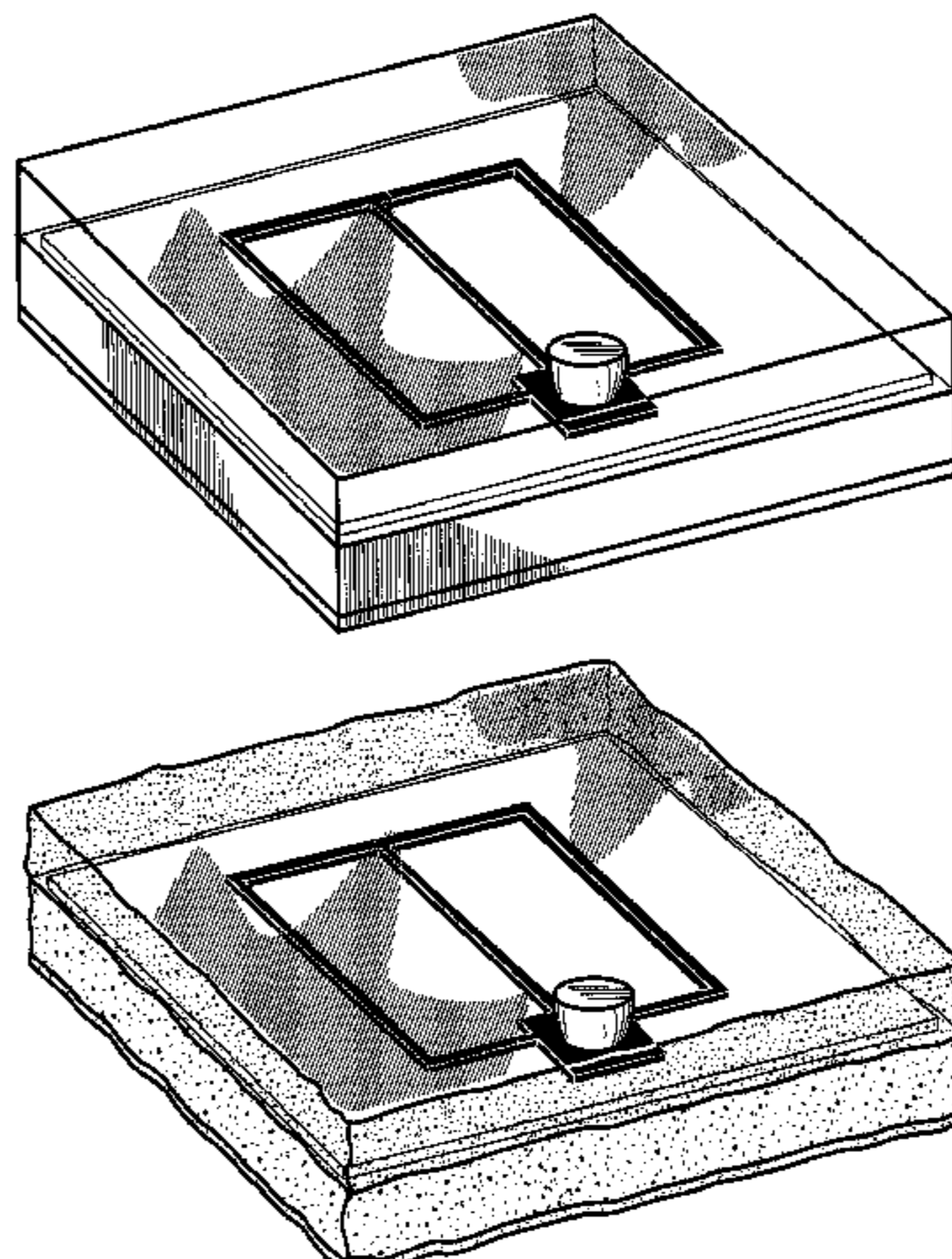
(74) *Attorney, Agent, or Firm*—Myers Bigel Sibley & Sajovec

(57) **CLAIM**

The ornamental design for an LED chip, as shown and described.

FIG. 1 is a top perspective view of a LED chip showing our design;  
FIG. 2 is a top view thereof;  
FIG. 3 is a first side view thereof;  
FIG. 4 is a bottom view thereof;  
FIG. 5 is a different side view thereof;  
FIG. 6 is an end view thereof;  
FIG. 7 is an opposing end view thereof;  
FIG. 8 is a top perspective view of a second embodiment of the LED chip showing our design;  
FIG. 9 is a top view thereof;  
FIG. 10 is a first side view thereof;  
FIG. 11 is a bottom view thereof;  
FIG. 12 is a different side view thereof;  
FIG. 13 is an end view thereof;  
FIG. 14 is an opposing end view thereof;  
FIG. 15 is a top perspective view of a third embodiment of the LED chip showing our design;  
FIG. 16 is a top view thereof;  
FIG. 17 is a first side view thereof;  
FIG. 18 is a bottom view thereof;  
FIG. 19 is a different side view thereof;  
FIG. 20 is an end view thereof;  
FIG. 21 is an opposing end view thereof;  
FIG. 22 is a top perspective view of a third embodiment of the LED chip showing our design;  
FIG. 23 is a top view thereof;  
FIG. 24 is a first side view thereof;  
FIG. 25 is a bottom view thereof;  
FIG. 26 is a different side view thereof;  
FIG. 27 is an end view thereof; and,  
FIG. 28 is an opposing end view thereof.

**1 Claim, 8 Drawing Sheets**



U.S. PATENT DOCUMENTS

6,255,129 B1 7/2001 Lin  
 6,383,835 B1 \* 5/2002 Hata et al. .... 438/65  
 6,498,592 B1 \* 12/2002 Matthies ..... 345/1.1  
 6,518,598 B1 2/2003 Chen  
 6,713,868 B2 \* 3/2004 Ueno ..... 257/730  
 6,847,052 B2 1/2005 Fan et al.  
 6,870,519 B2 \* 3/2005 Sundahl ..... 345/1.3  
 7,289,089 B2 \* 10/2007 Iwafuchi ..... 345/82  
 D566,056 S \* 4/2008 Edmond et al. .... D13/180  
 D566,057 S \* 4/2008 Edmond et al. .... D13/180  
 D566,665 S \* 4/2008 Liao et al. .... D13/180  
 2003/0222263 A1 \* 12/2003 Choi ..... 257/79  
 2005/0023539 A1 2/2005 Fujiwara et al.  
 2005/0067624 A1 3/2005 Steigerwald et al.  
 2006/0049422 A1 3/2006 Shoji

2006/0131600 A1 \* 6/2006 Nakaoka et al. .... 257/99  
 2006/0151800 A1 7/2006 Keong et al.  
 2006/0226437 A1 10/2006 Fujita et al.  
 2007/0075323 A1 \* 4/2007 Kanazawa et al. .... 257/98  
 2007/0085089 A1 4/2007 Hsu  
 2007/0138585 A1 6/2007 Hsin et al.

OTHER PUBLICATIONS

Color photos Lumileds LEDs, 1 page, (for exam purposes, date is assumed to be before Dec. 21, 2006).  
 Image of Osram chip, 1 page, (prior to Dec. 29, 2005).  
 "Lumileds LED," 1 page, (Oct. 2-4, 2002).  
 SemiLEDS "Products", 2 pages, [http://www.semileds.com/en\\_04product.asp](http://www.semileds.com/en_04product.asp) (2006).

\* cited by examiner

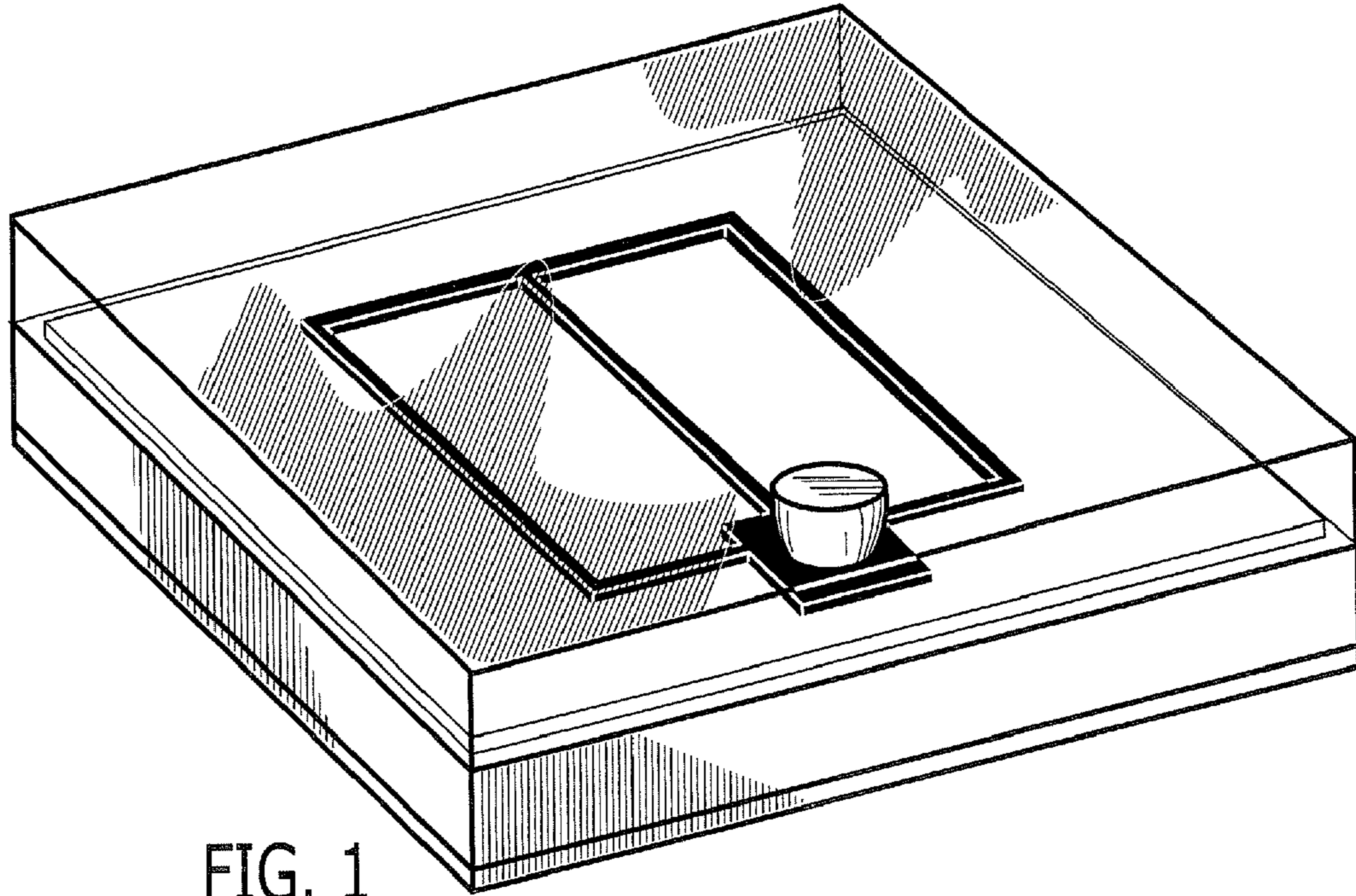


FIG. 1

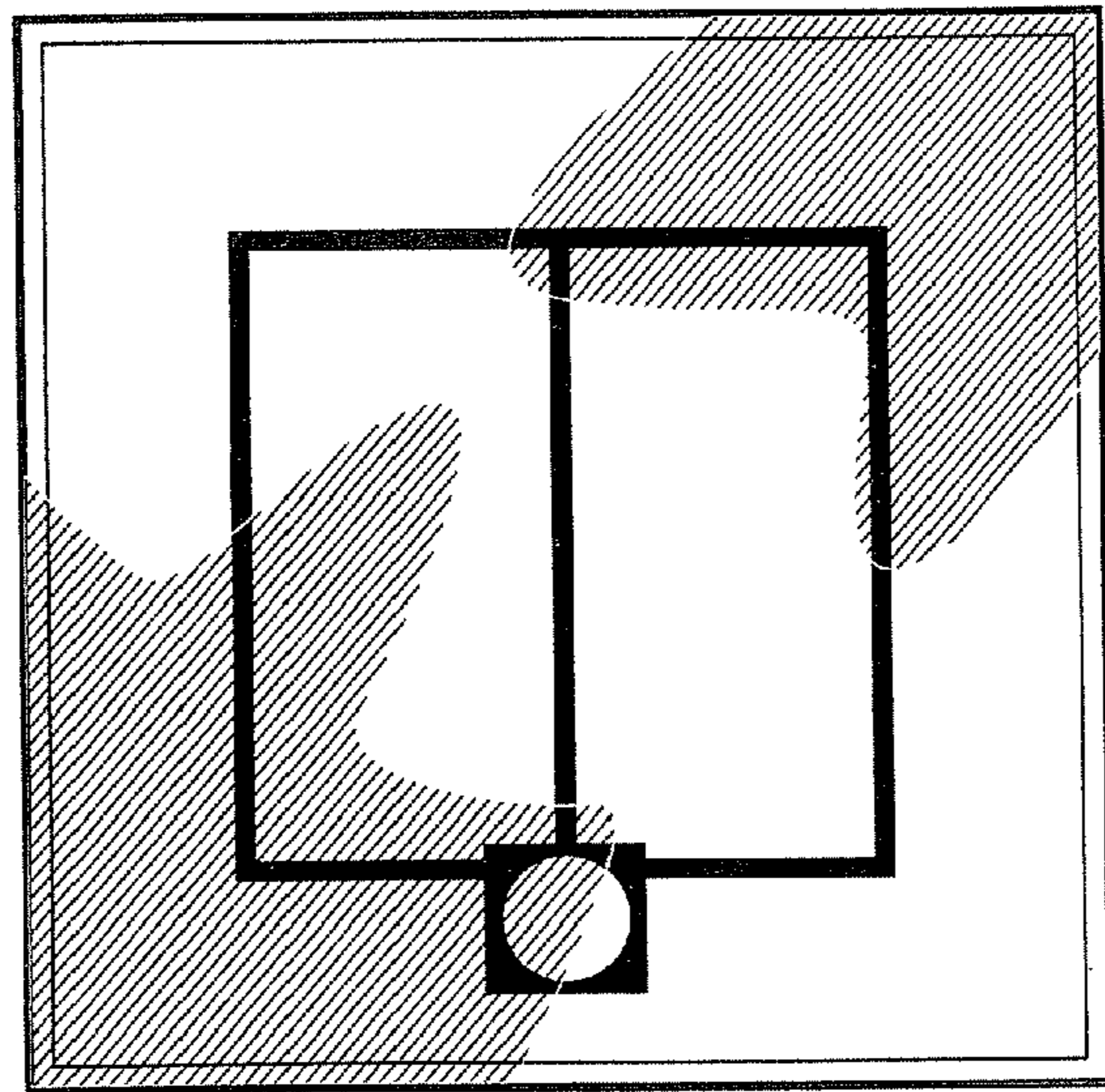


FIG. 2

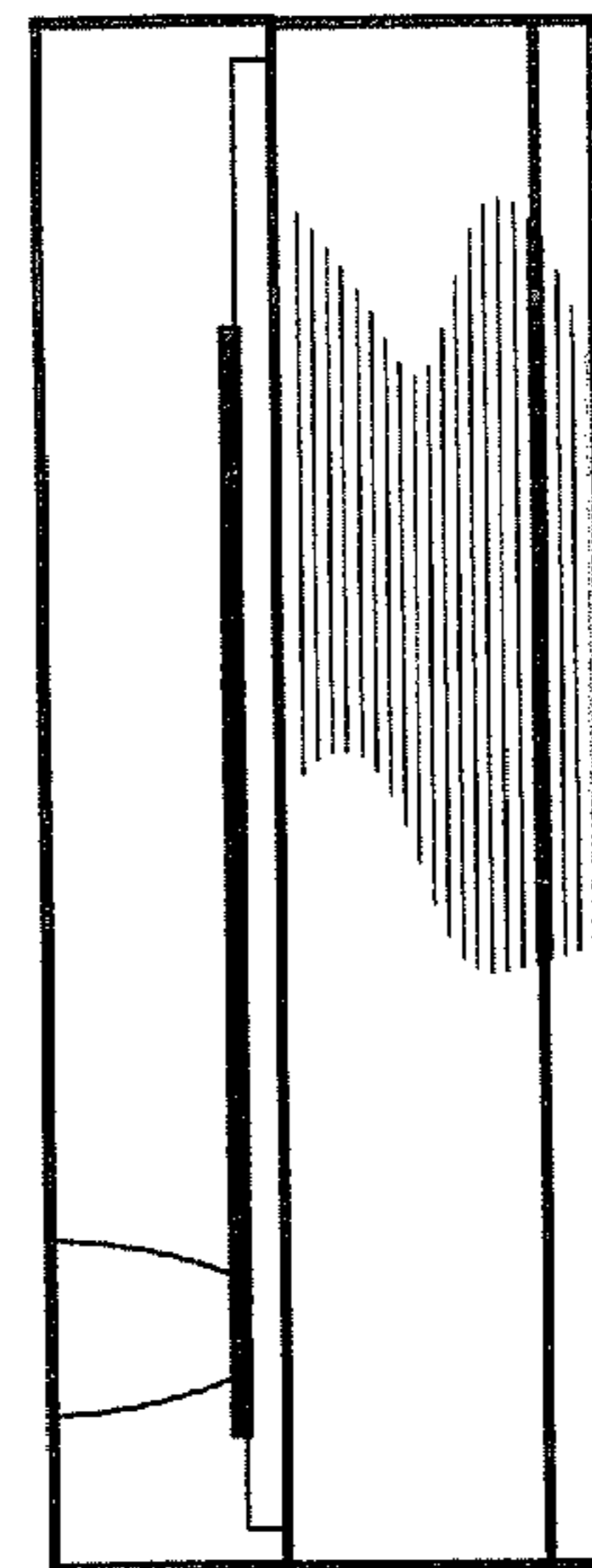


FIG. 3

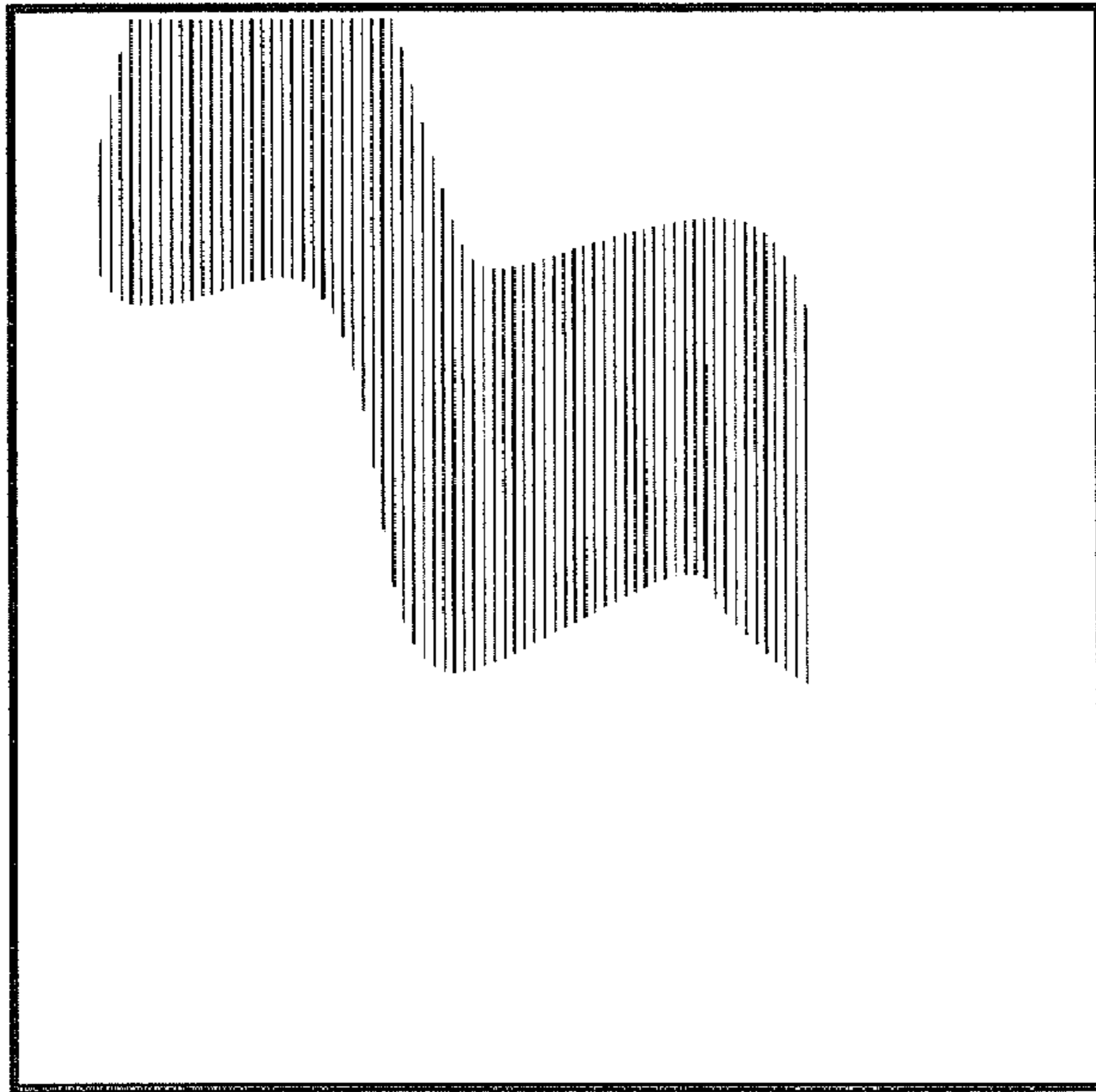


FIG. 4

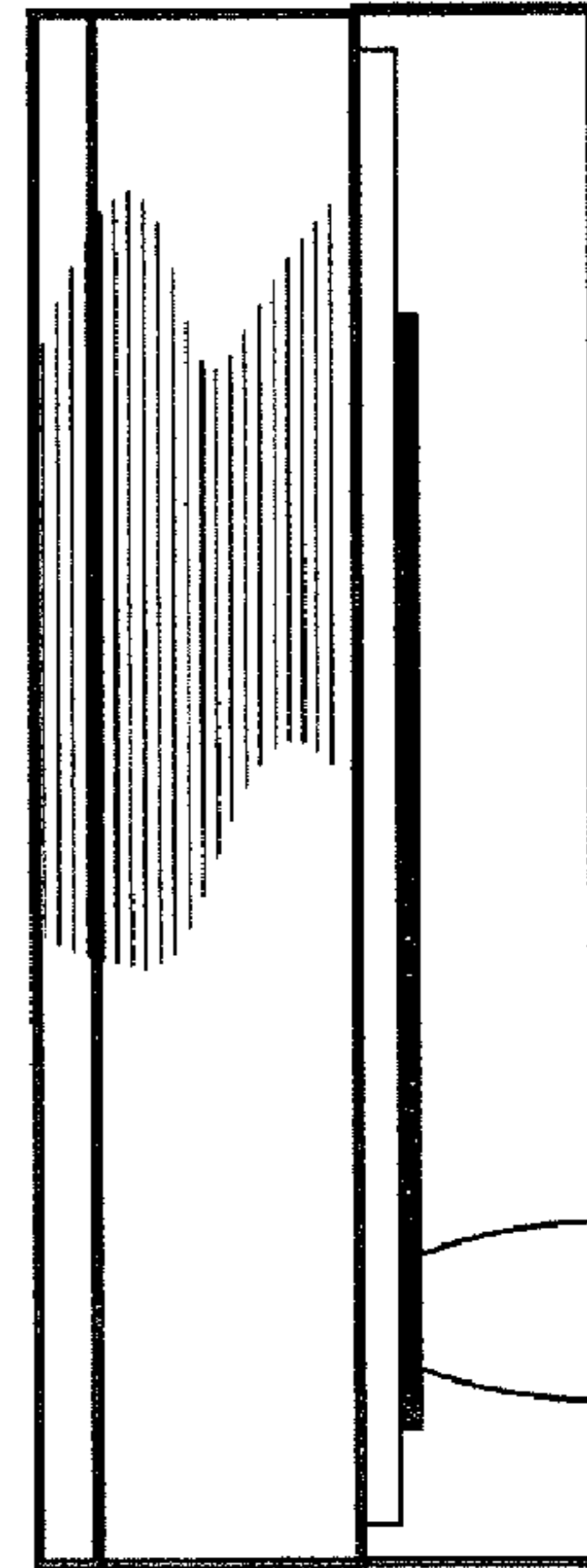


FIG. 5

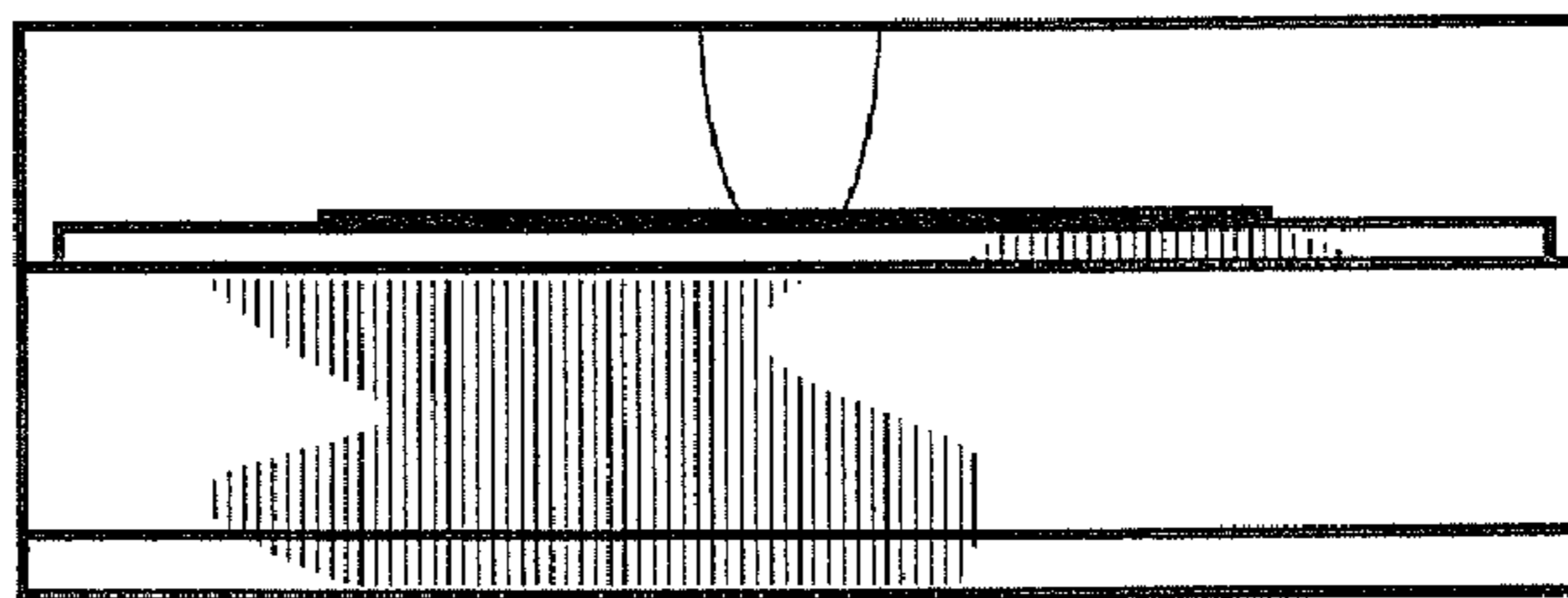


FIG. 6

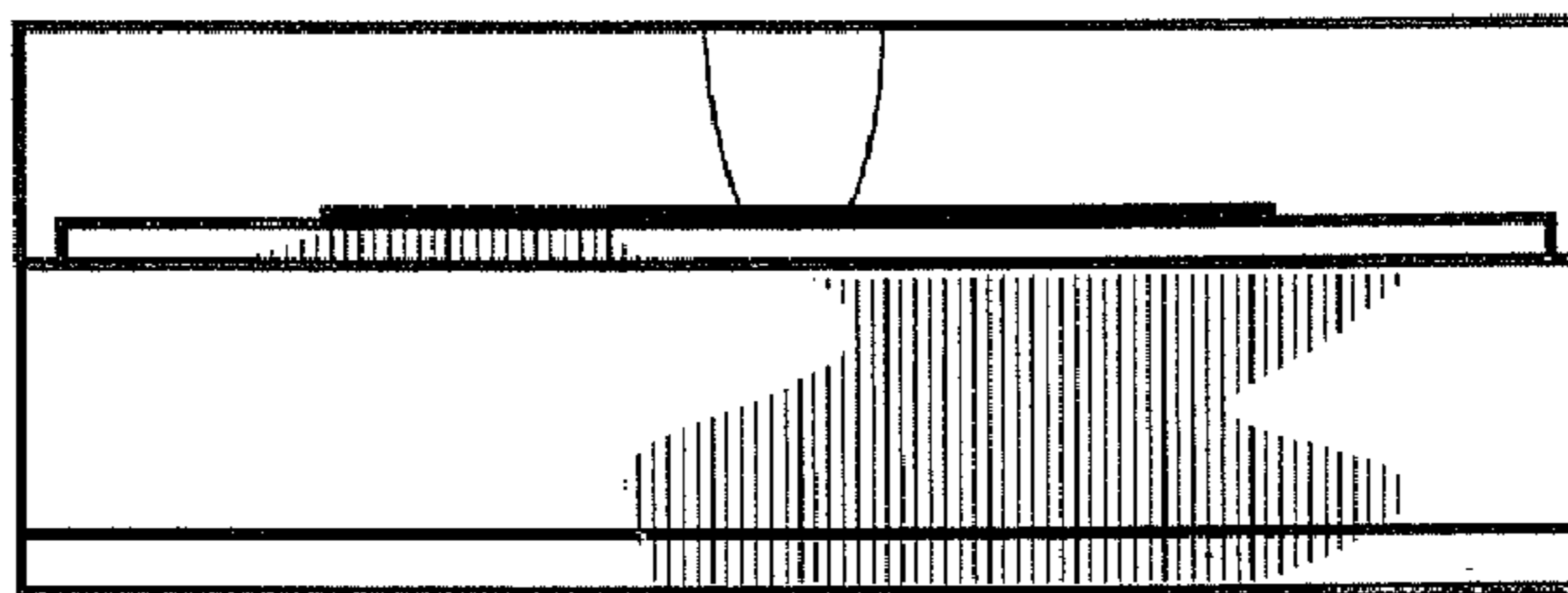
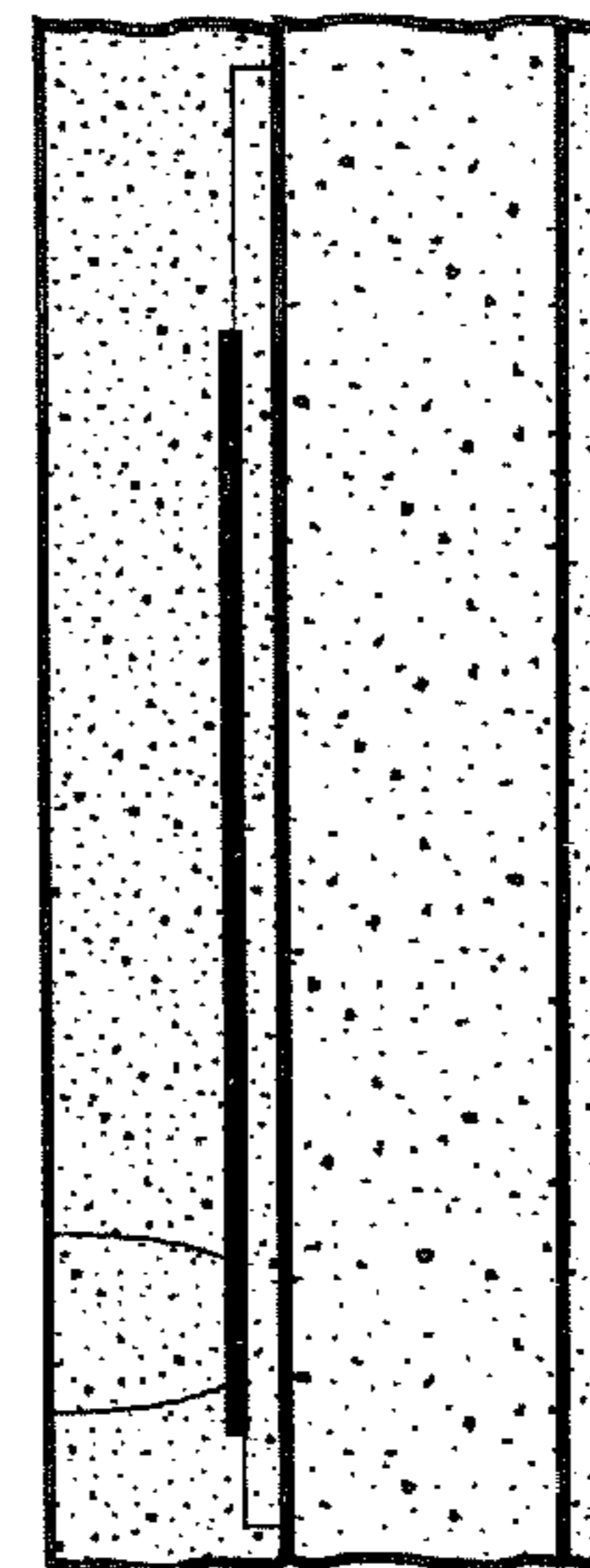
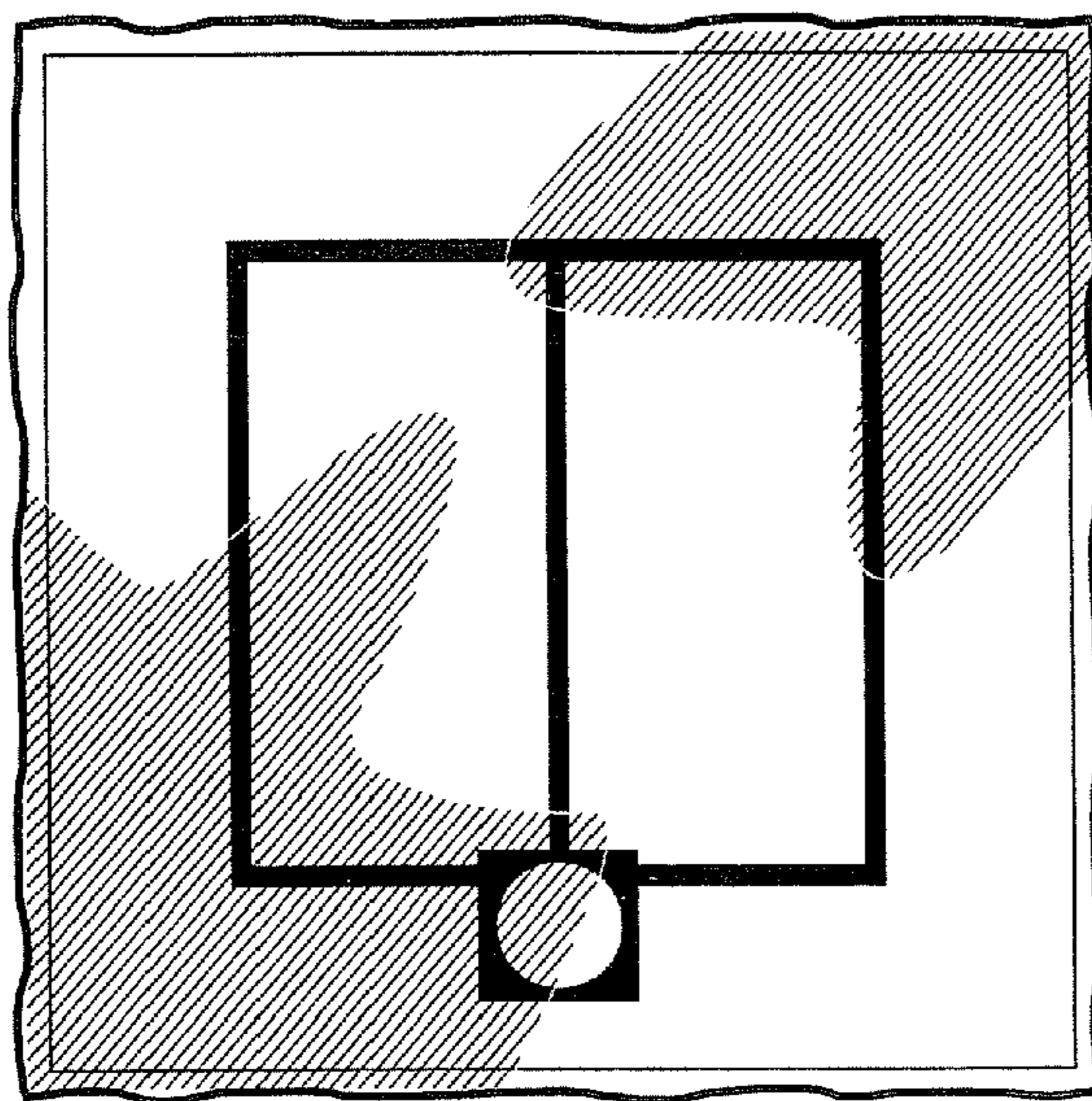
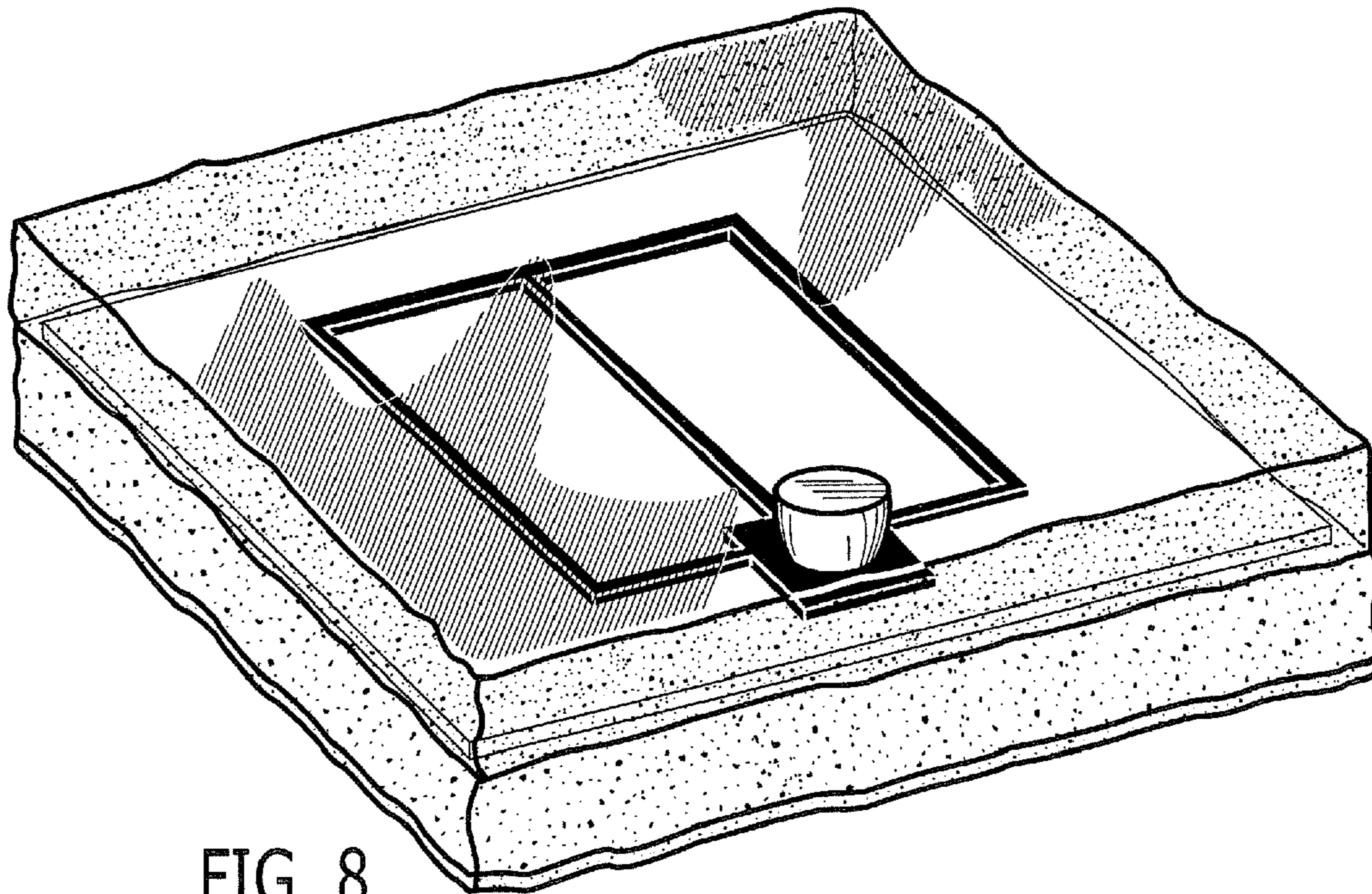


FIG. 7



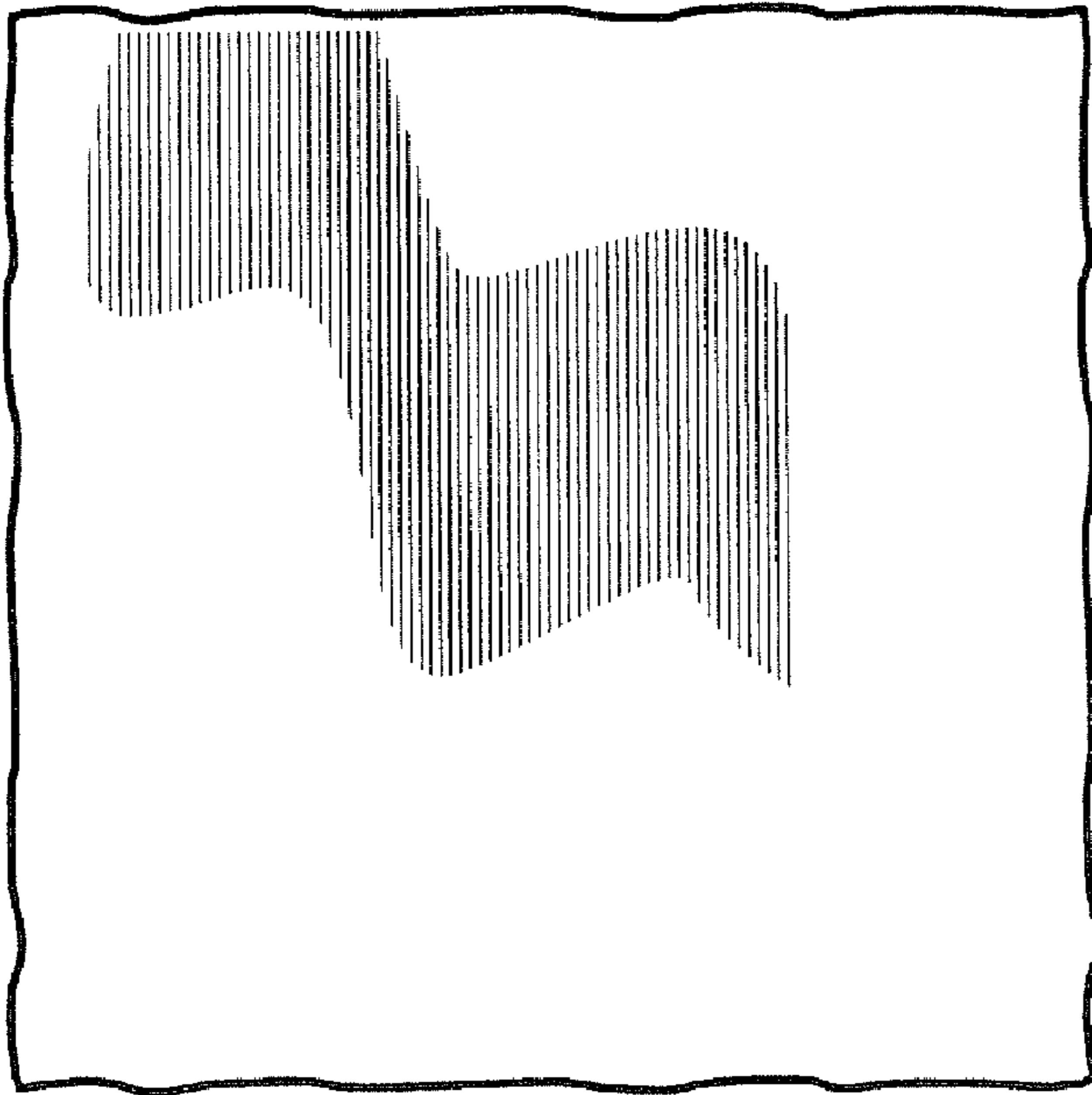


FIG. 11

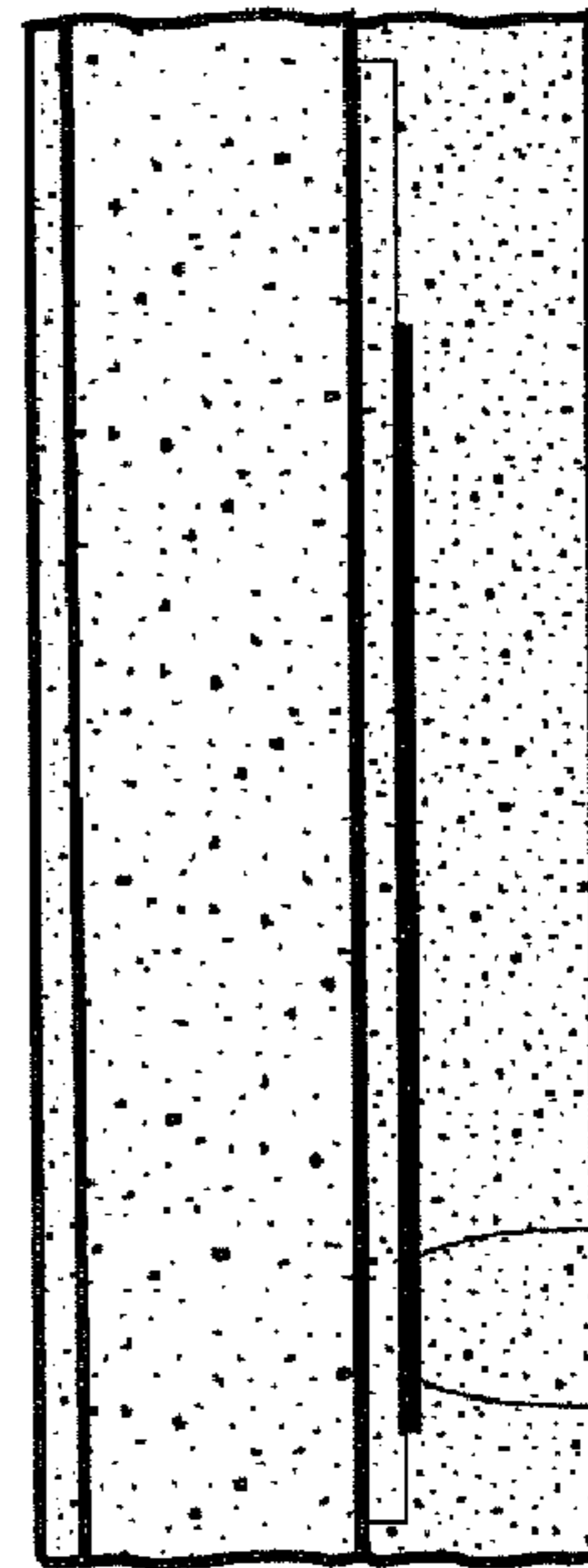


FIG. 12

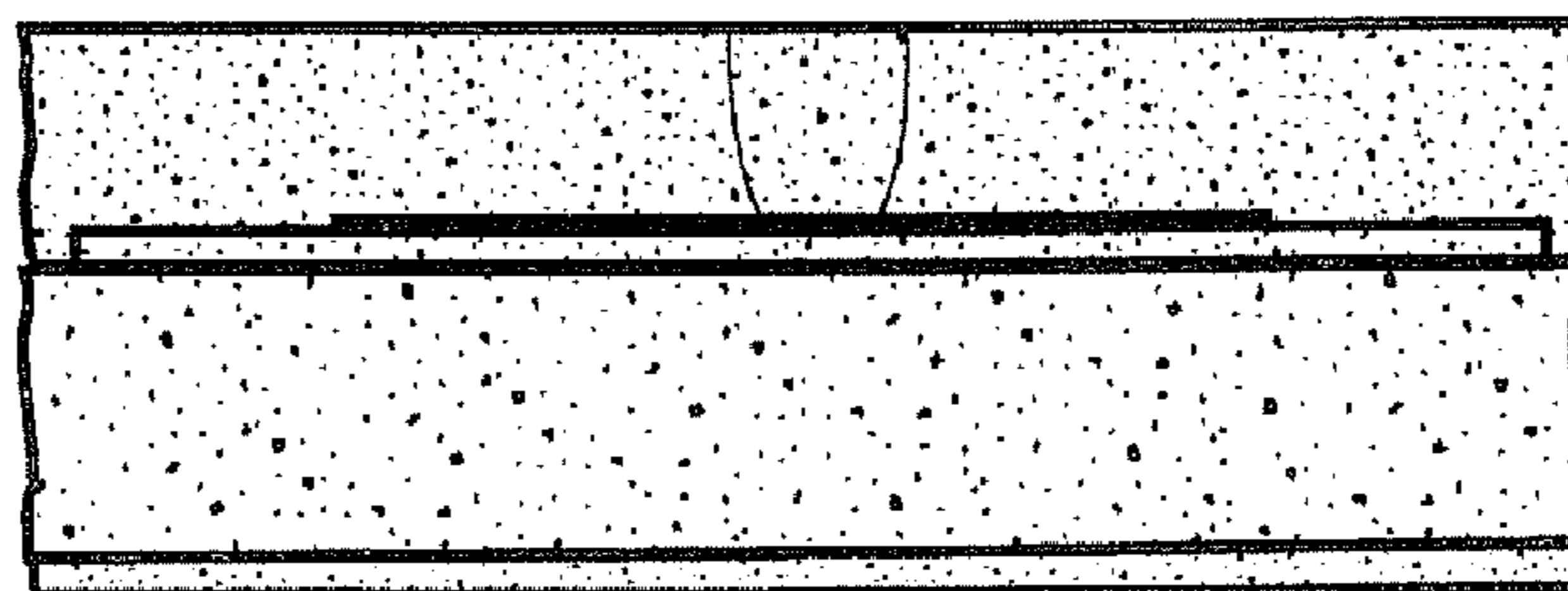


FIG. 13

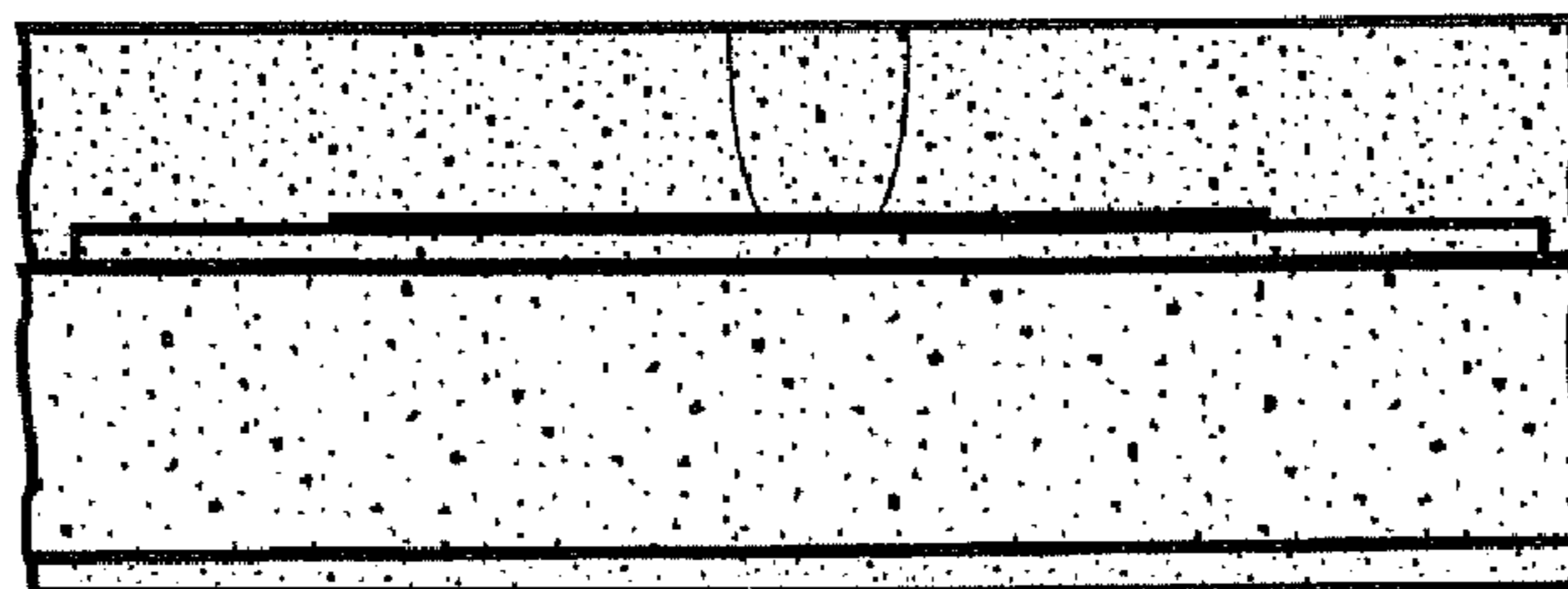


FIG. 14

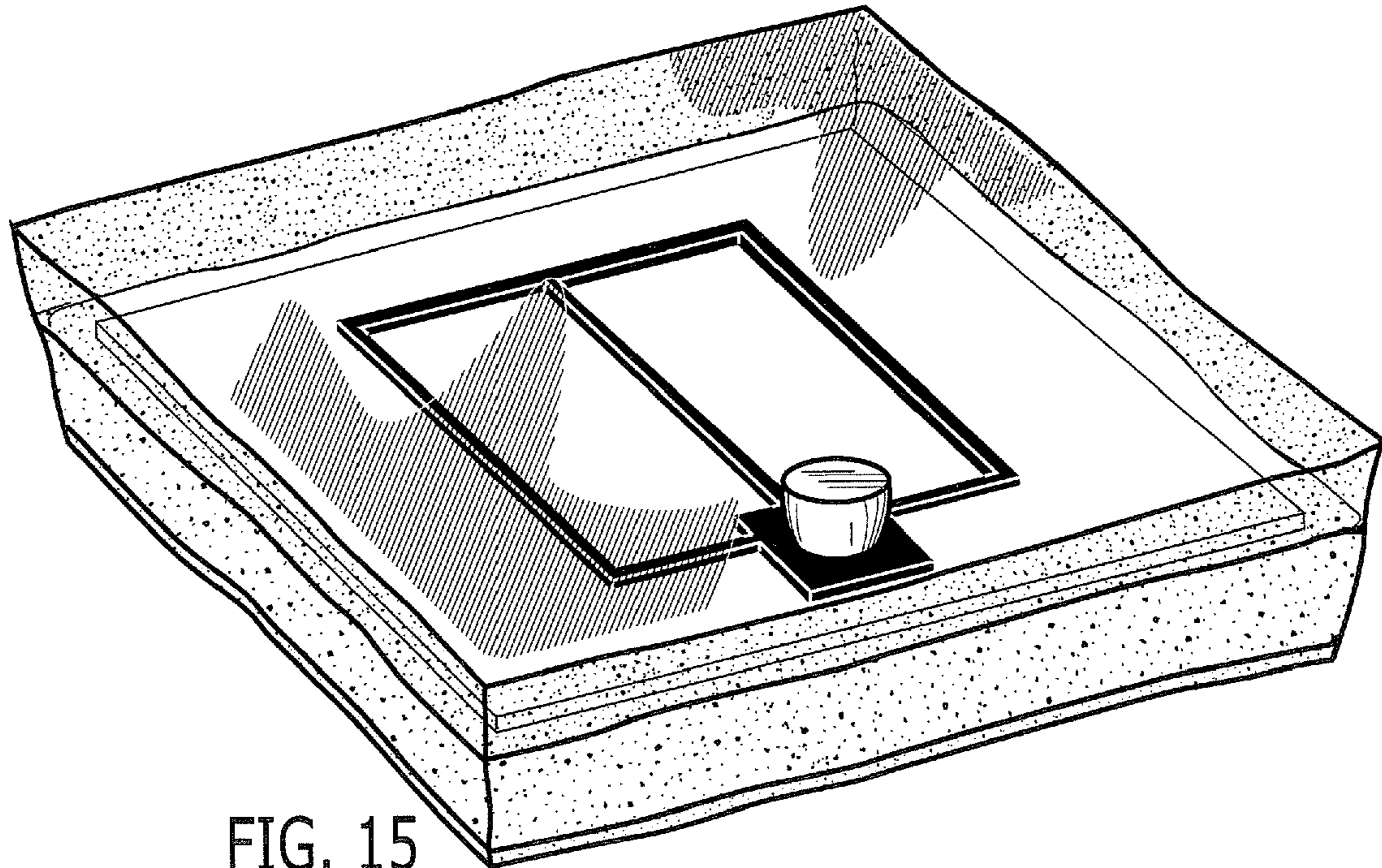


FIG. 15

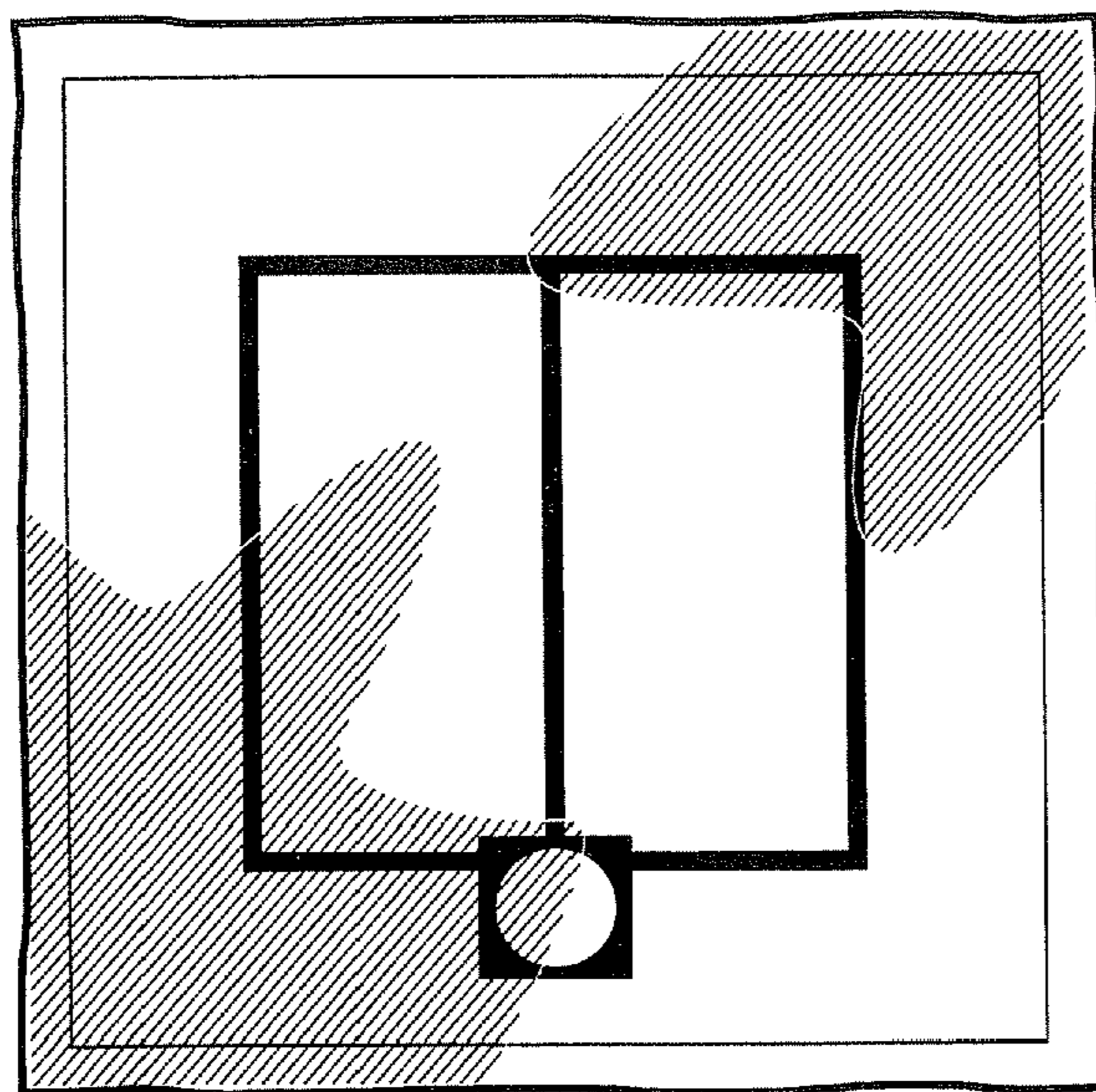


FIG. 16

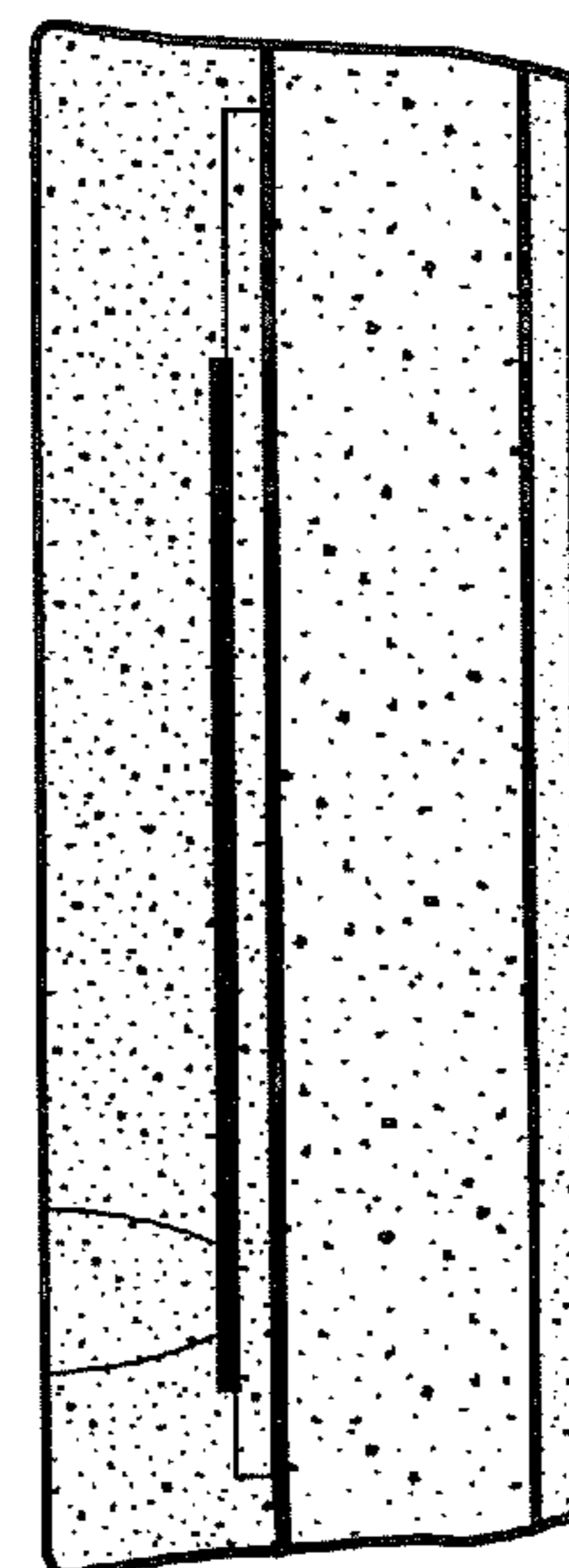


FIG. 17

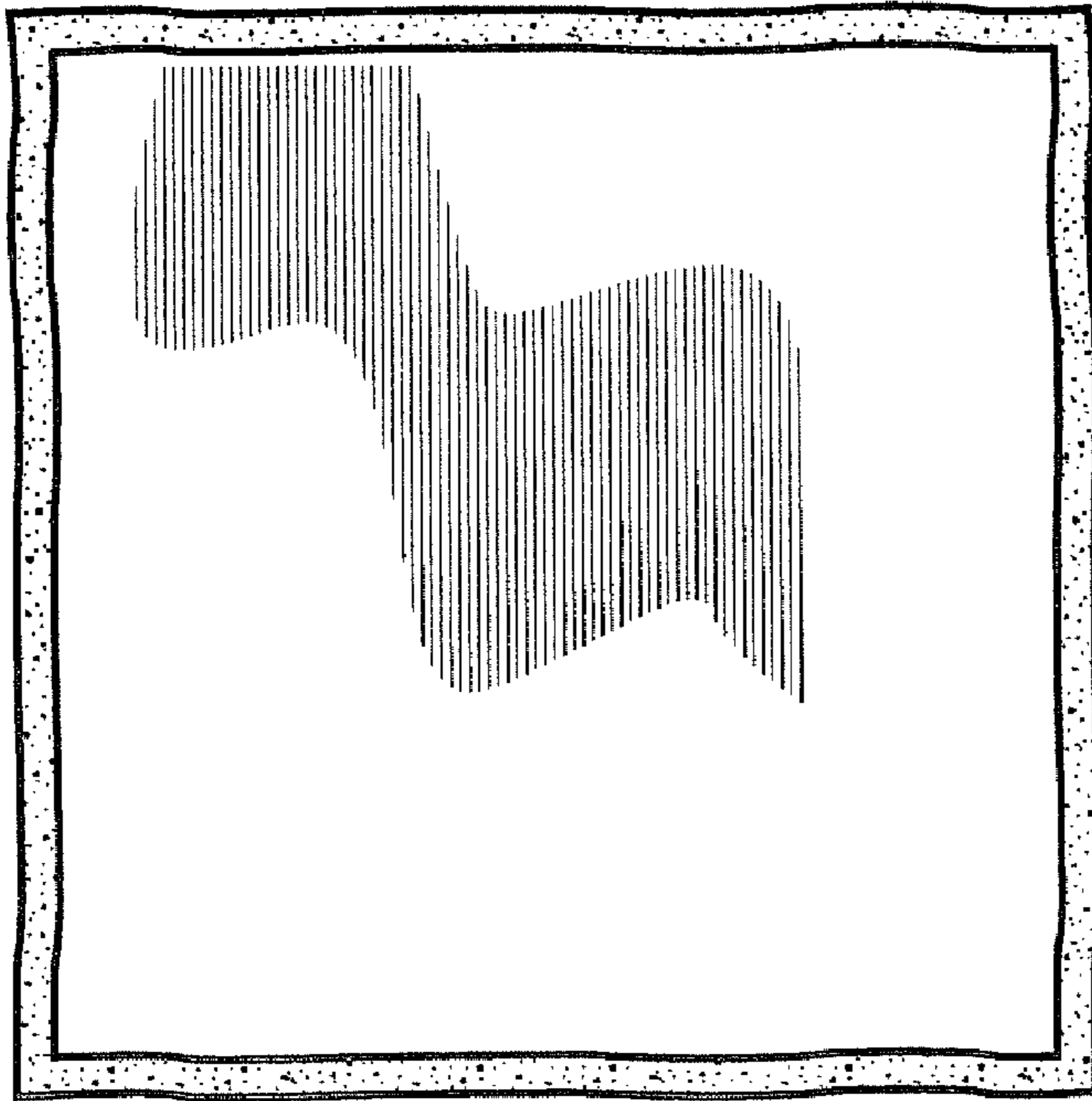


FIG. 18

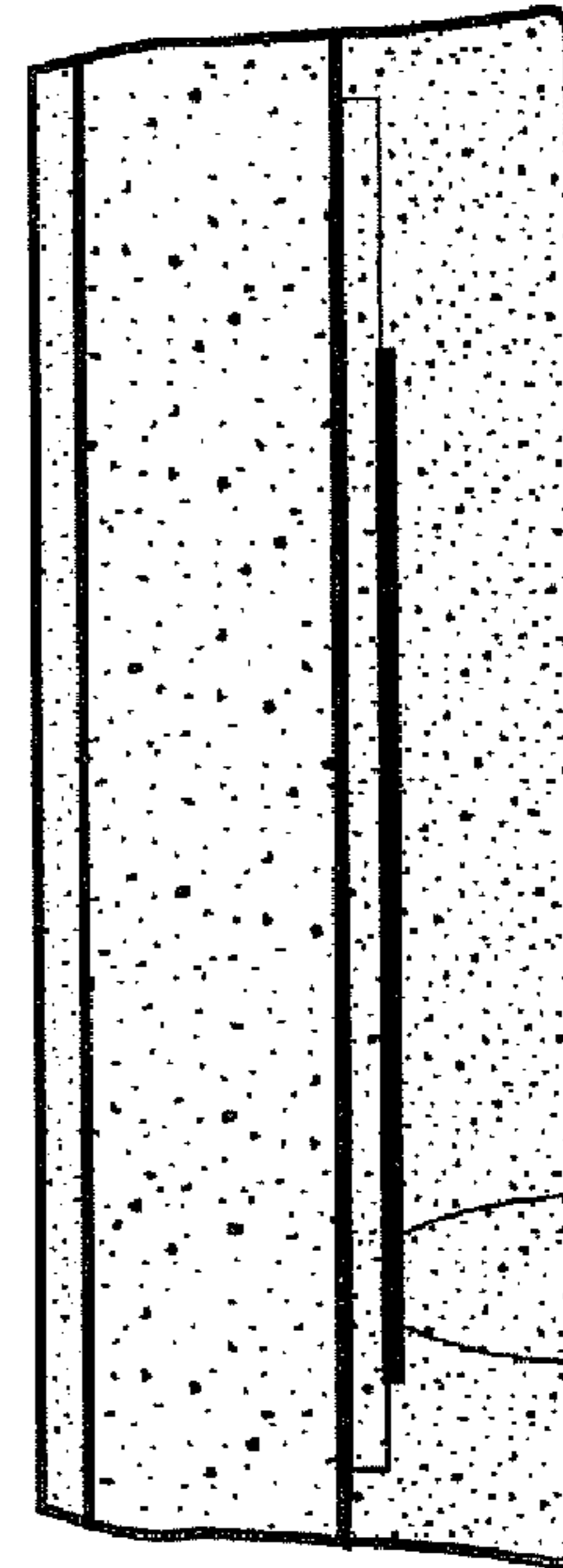


FIG. 19

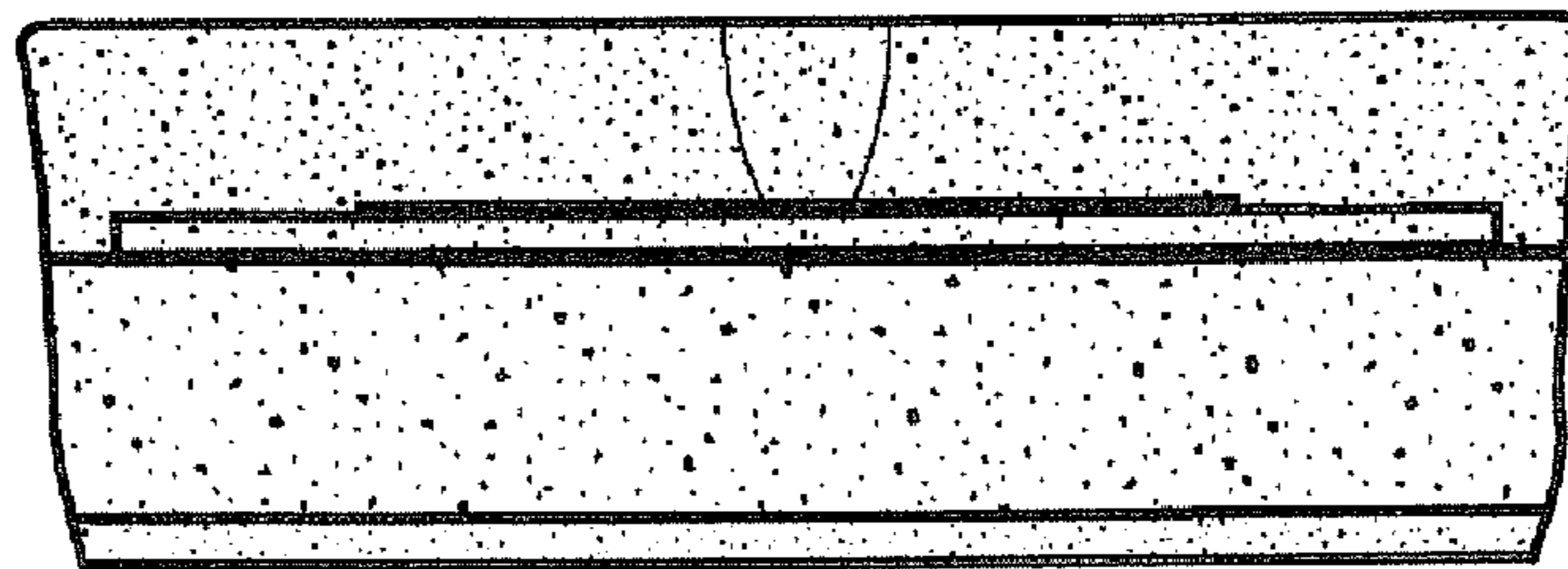


FIG. 20

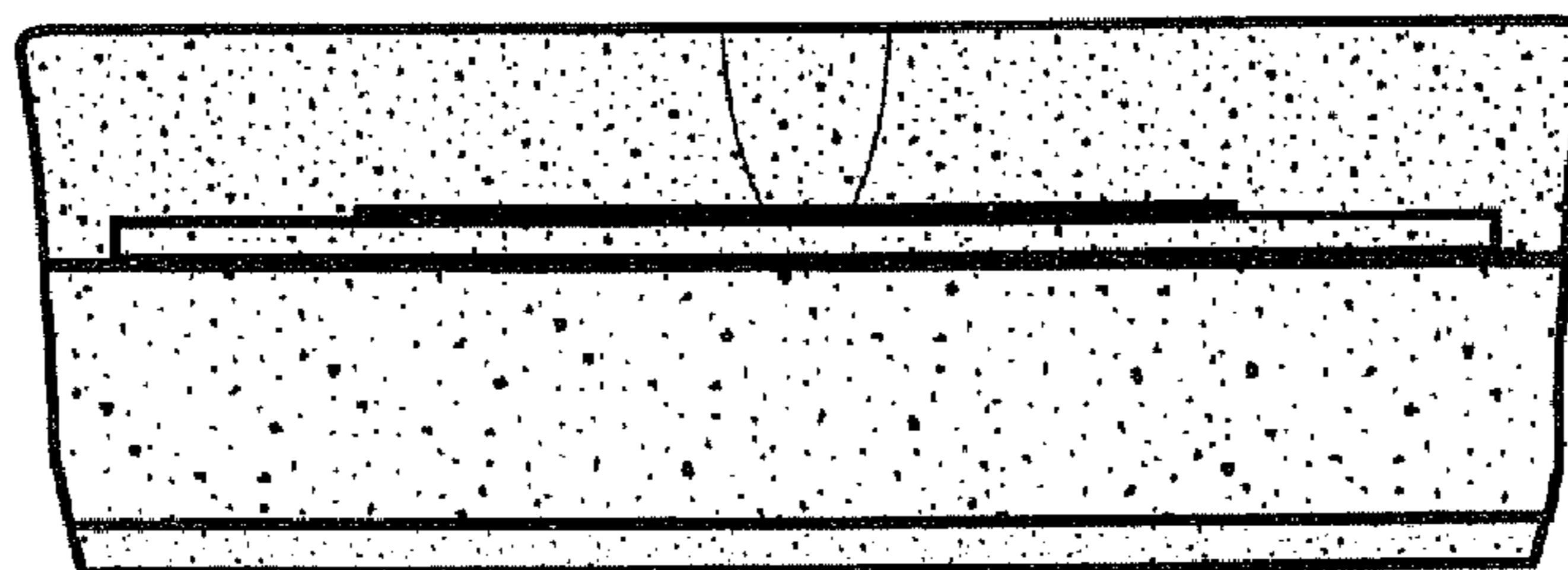


FIG. 21



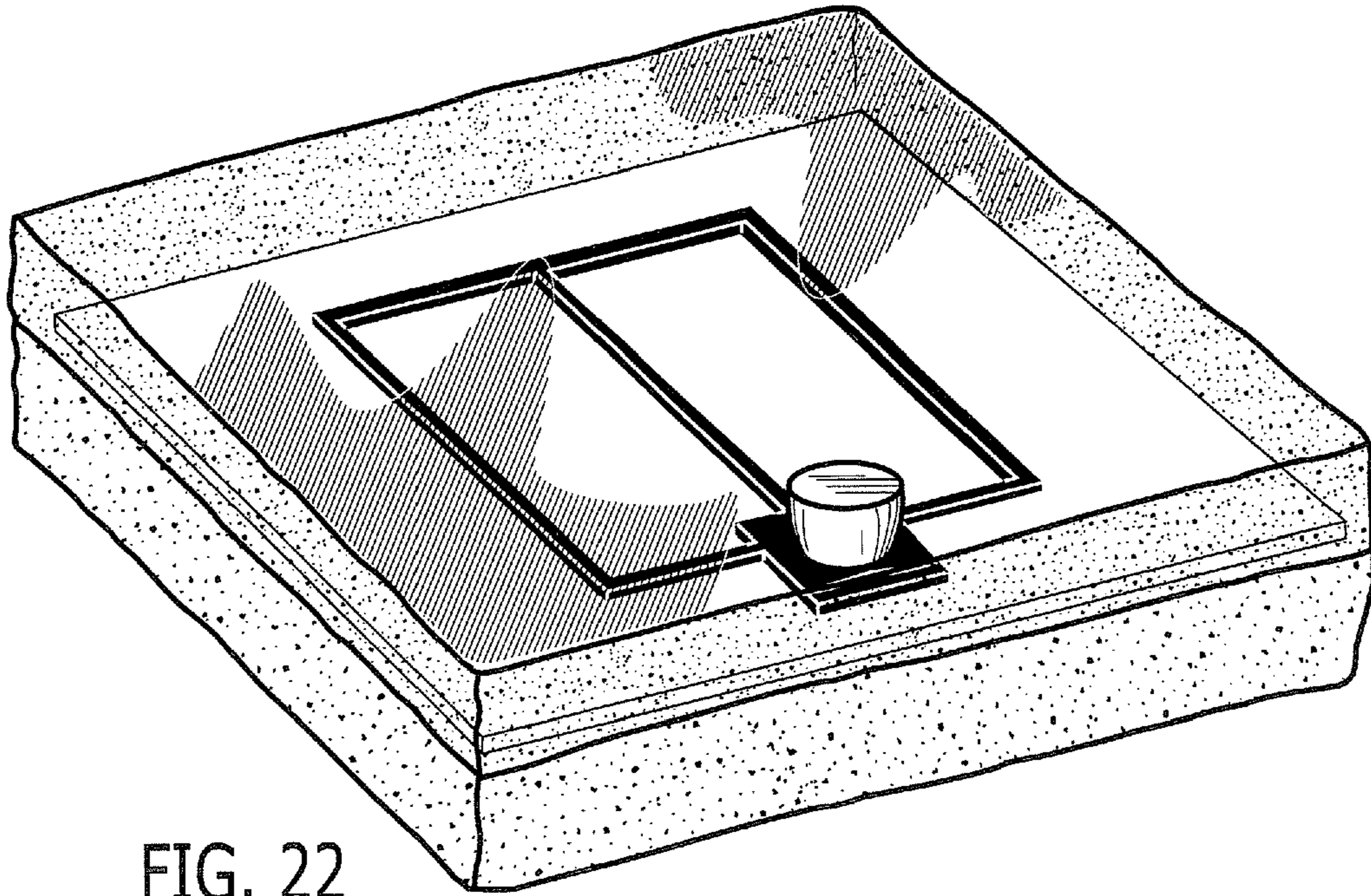


FIG. 22

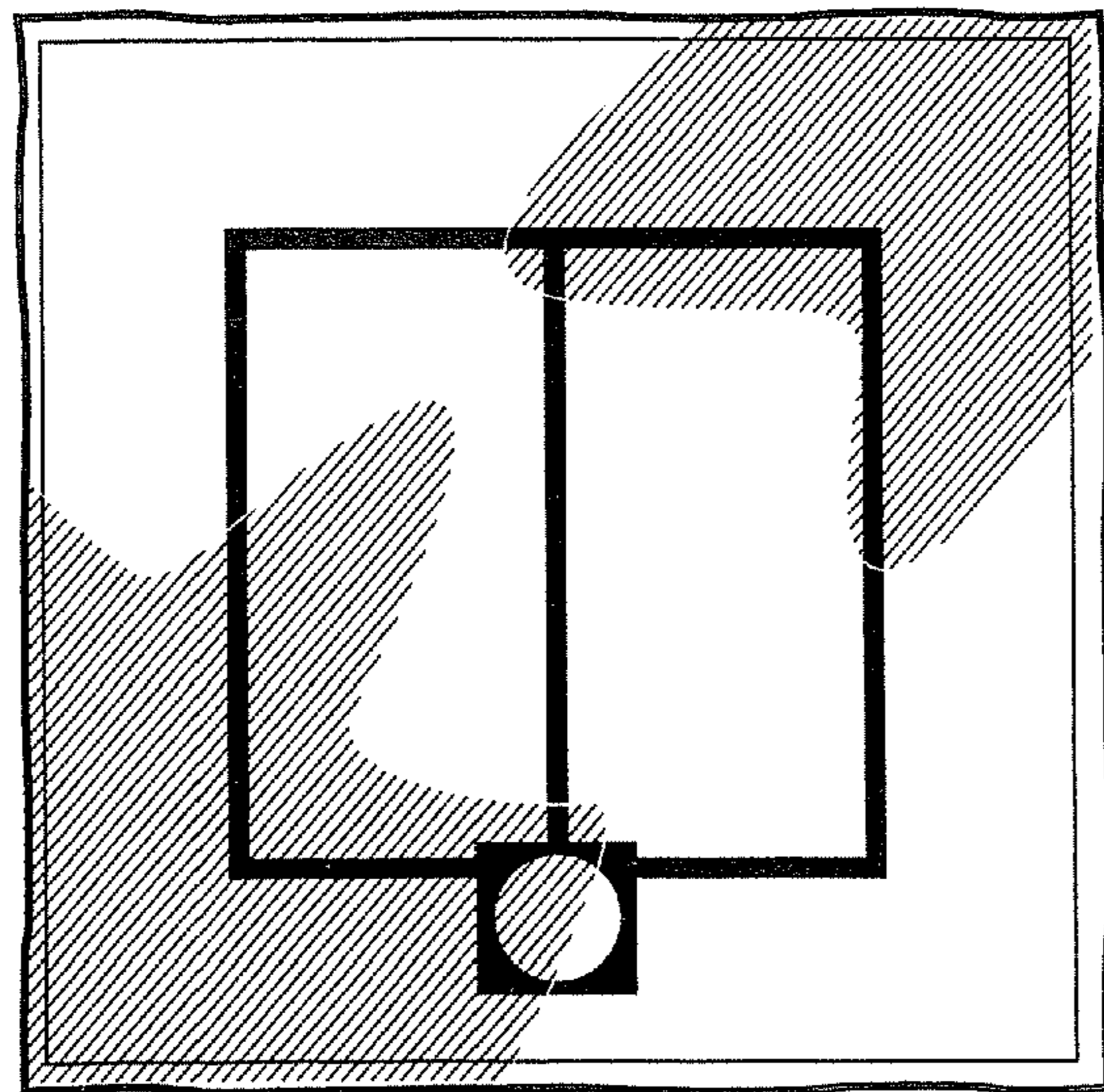


FIG. 23

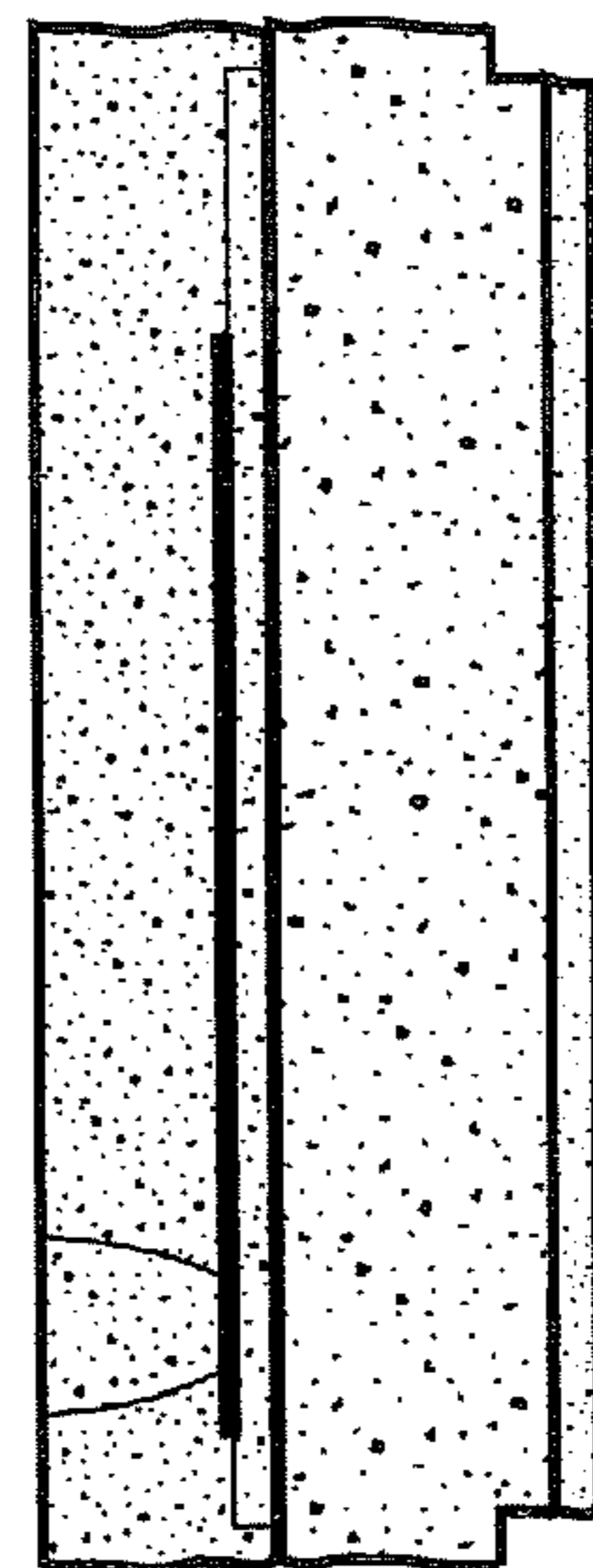


FIG. 24

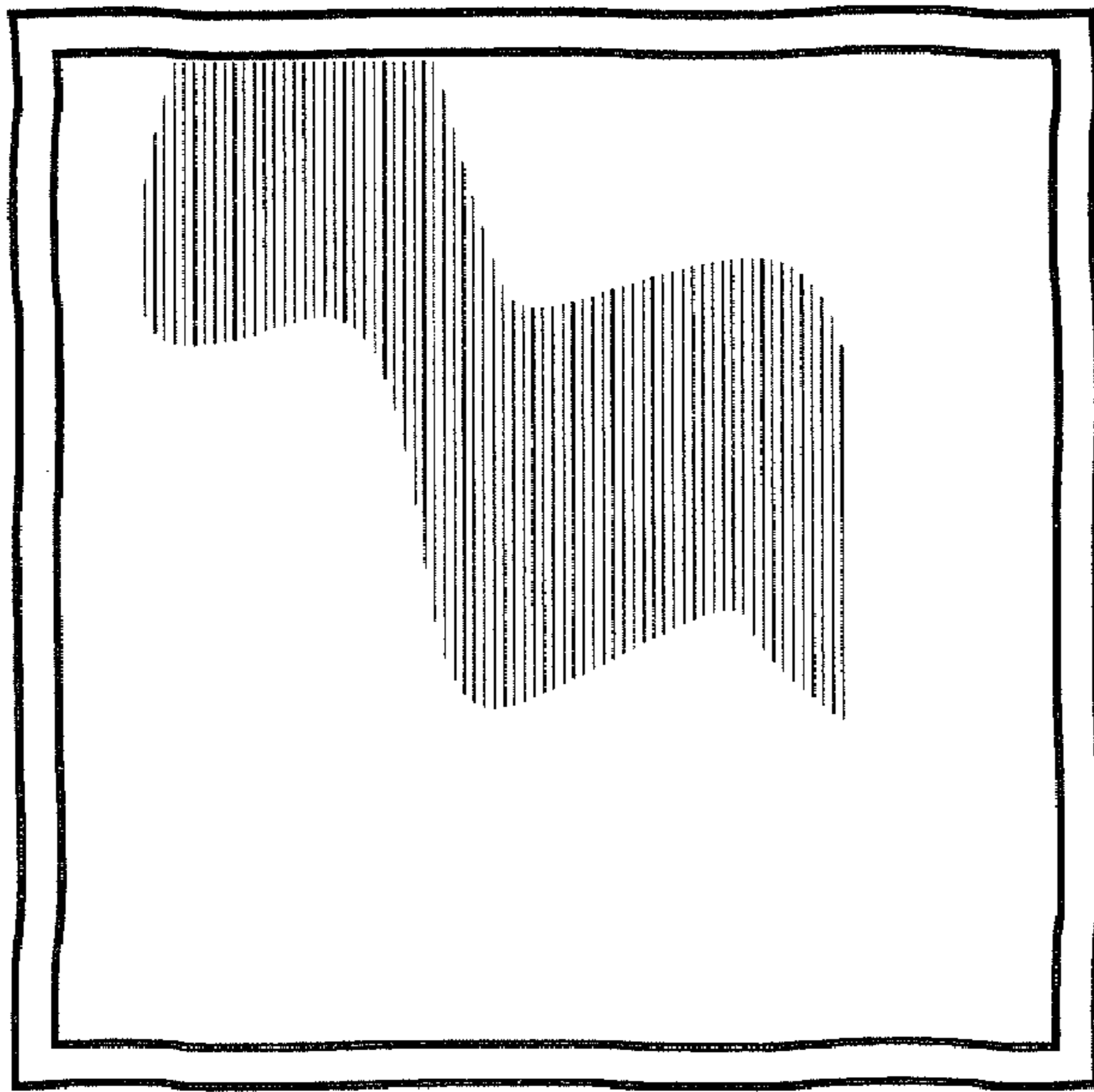


FIG. 25

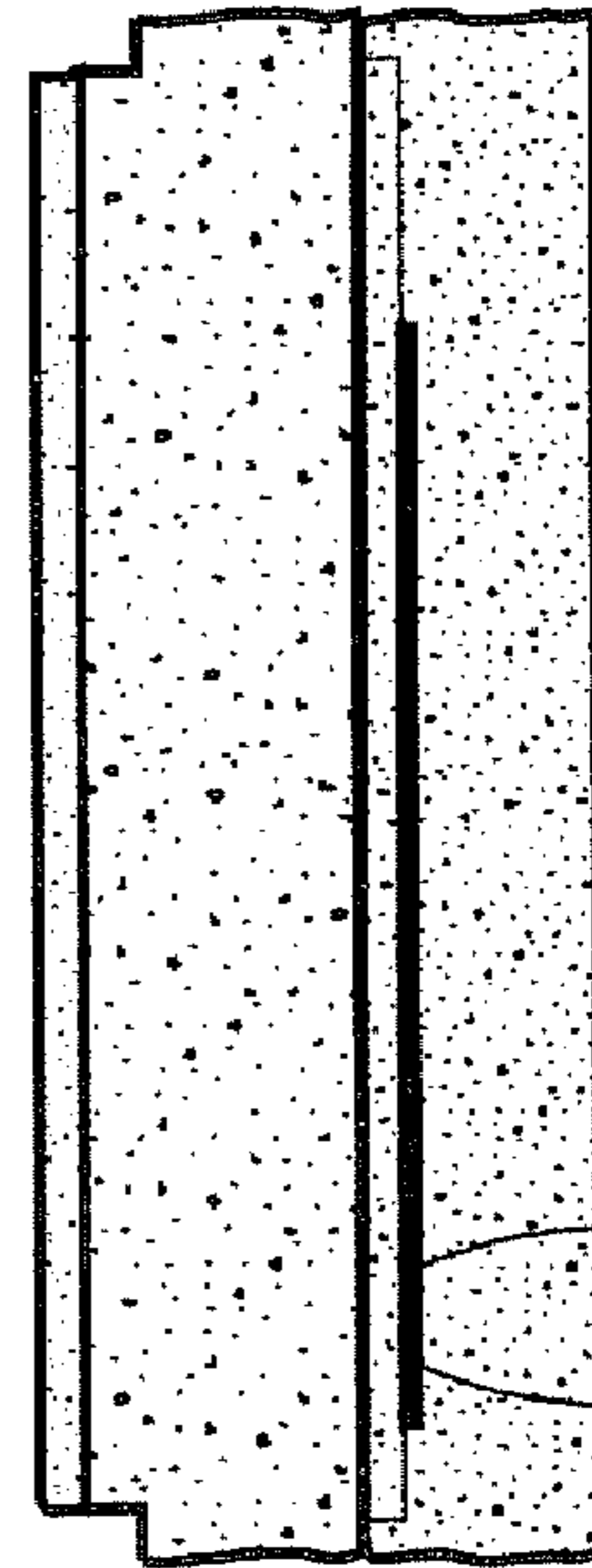


FIG. 26

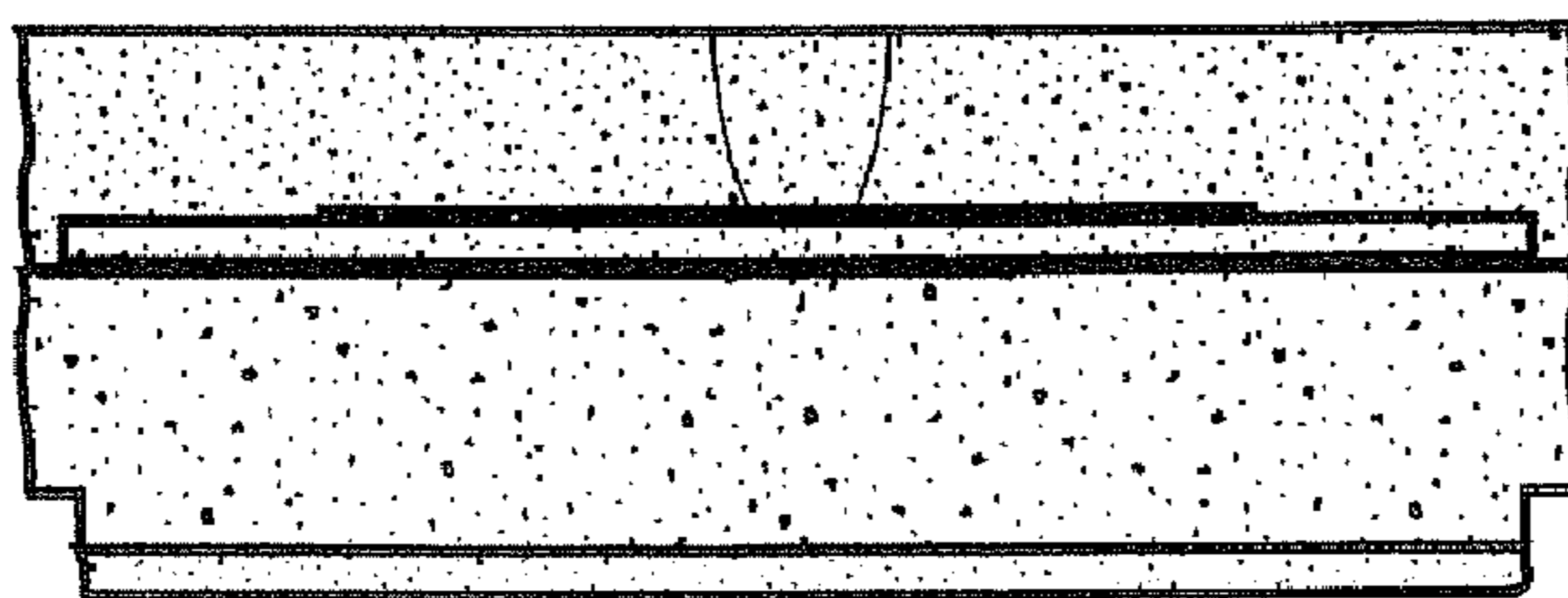


FIG. 27

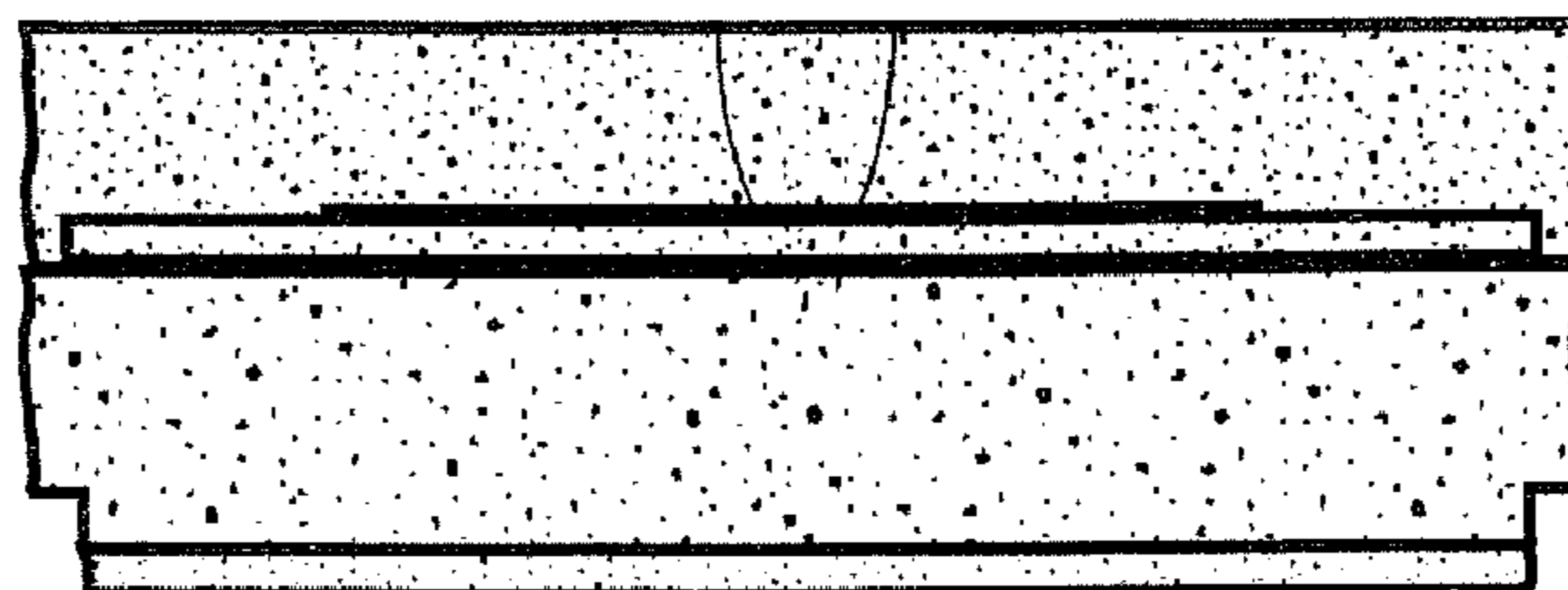


FIG. 28