



US00D583336S

(12) **United States Design Patent**  
**Ni**

(10) **Patent No.:** **US D583,336 S**

(45) **Date of Patent:** **\*\* Dec. 23, 2008**

(54) **DIMMER WITH SWITCH**

(75) Inventor: **Lidong Ni, Yueqing (CN)**

(73) Assignee: **Use Lighting Control, Inc., El Monte, CA (US)**

(\*\*) Term: **14 Years**

(21) Appl. No.: **29/294,833**

(22) Filed: **Jan. 29, 2008**

(51) **LOC (8) Cl.** ..... **13-03**

(52) **U.S. Cl.** ..... **D13/170**

(58) **Field of Classification Search** ..... D13/170,  
D13/171; 174/66; 200/5 R, 530, 531, 536,  
200/547, 550, 252, 293, 296, 315, 333, 335,  
200/329; 338/176; 315/291-296

See application file for complete search history.

(56) **References Cited**

**U.S. PATENT DOCUMENTS**

- 4,939,383 A \* 7/1990 Tucker et al. .... 307/139
- 4,972,045 A \* 11/1990 Primeau ..... 174/66
- D333,124 S \* 2/1993 Carson ..... D13/169
- 5,191,971 A \* 3/1993 Hakkarainen et al. .... 200/550

- D335,282 S \* 5/1993 Jurell et al. .... D13/170
- D415,472 S \* 10/1999 Kelso et al. .... D13/170
- 6,037,553 A \* 3/2000 Stewart et al. .... 200/547
- 6,727,446 B1 \* 4/2004 Mayo et al. .... 200/296

\* cited by examiner

*Primary Examiner*—Selina Sikder

(74) *Attorney, Agent, or Firm*—Law Offices of Christine Yang

(57) **CLAIM**

The ornamental design for a dimmer with switch, as shown and described.

**DESCRIPTION**

FIG. 1 is a perspective view.

FIG. 2 is a bottom view.

FIG. 3 is a top view.

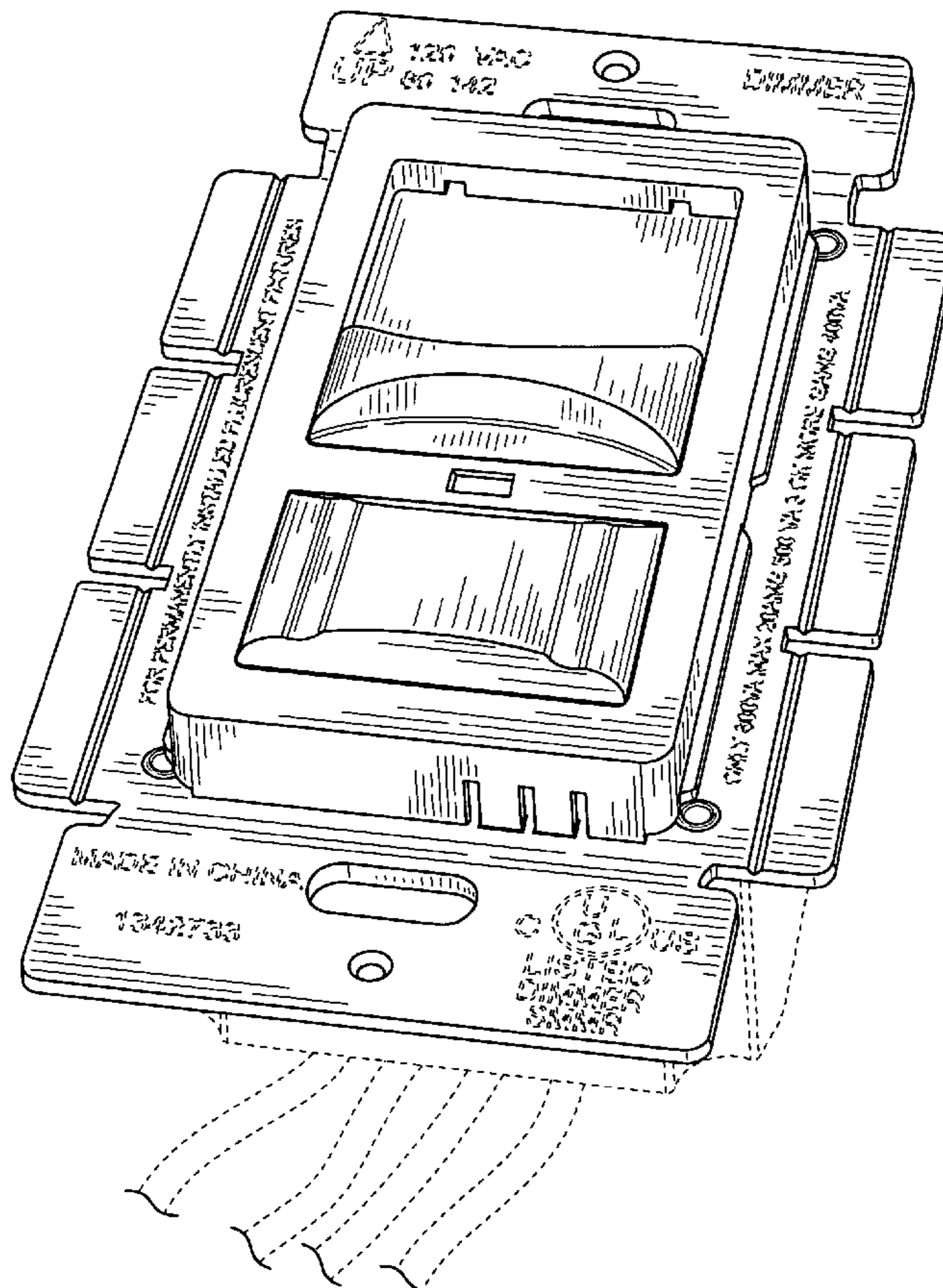
FIG. 4 is a right side view and the left side view is a mirror image of this figure.

FIG. 5 is a front view; and,

FIG. 6 is a back view.

The broken lines represent unclaimed subject matter.

**1 Claim, 6 Drawing Sheets**



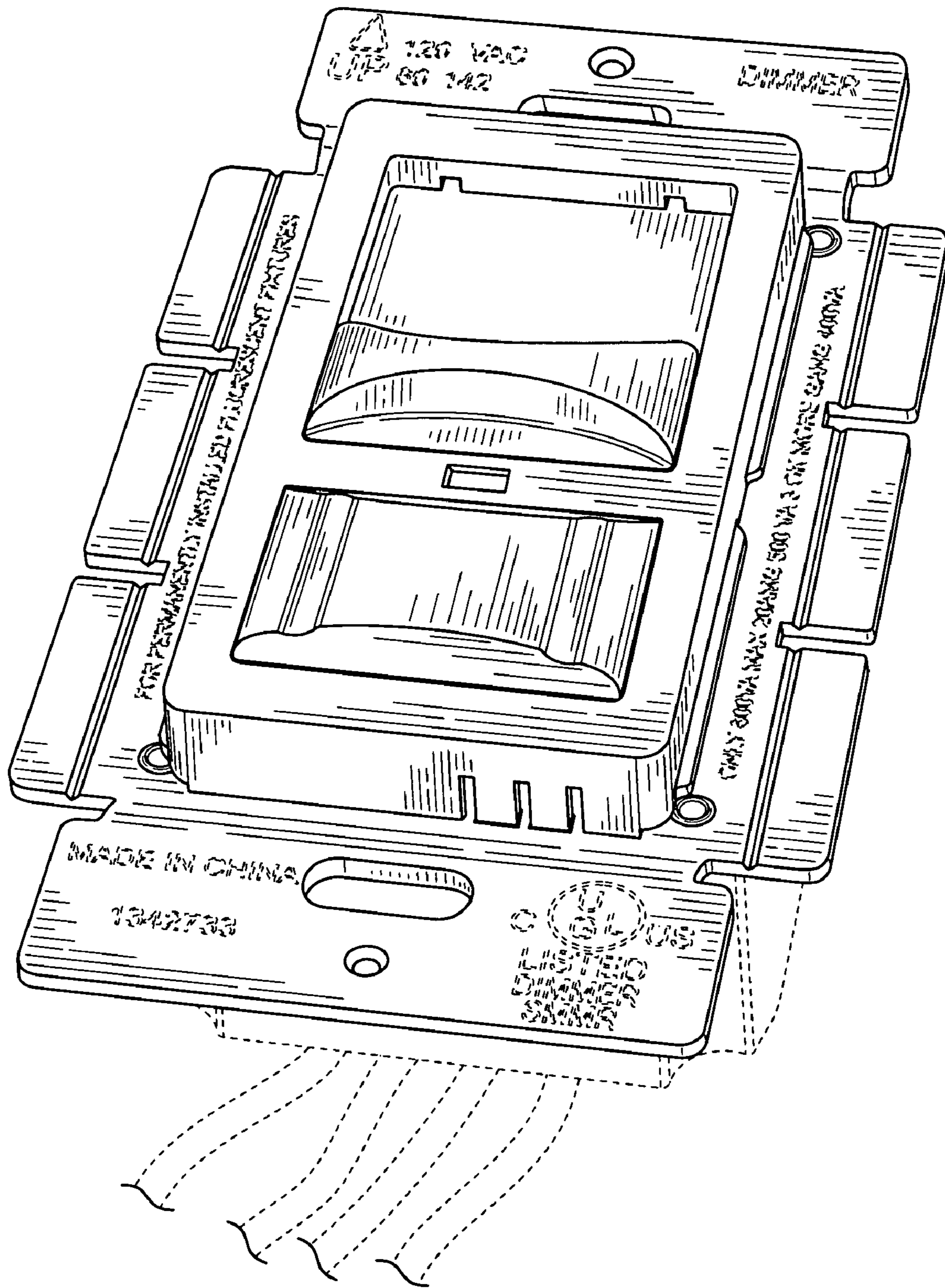


FIG. 1

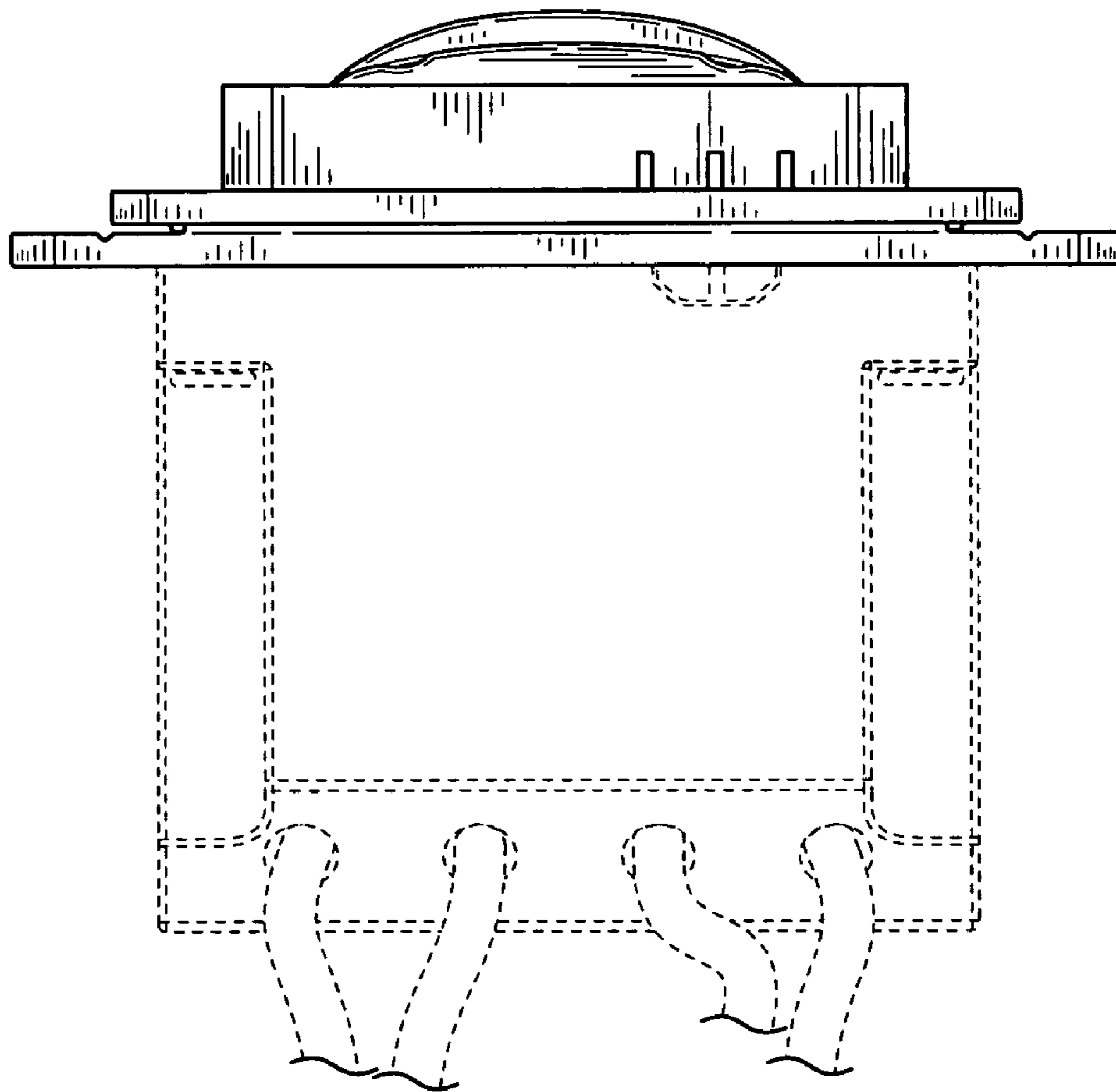


FIG. 2

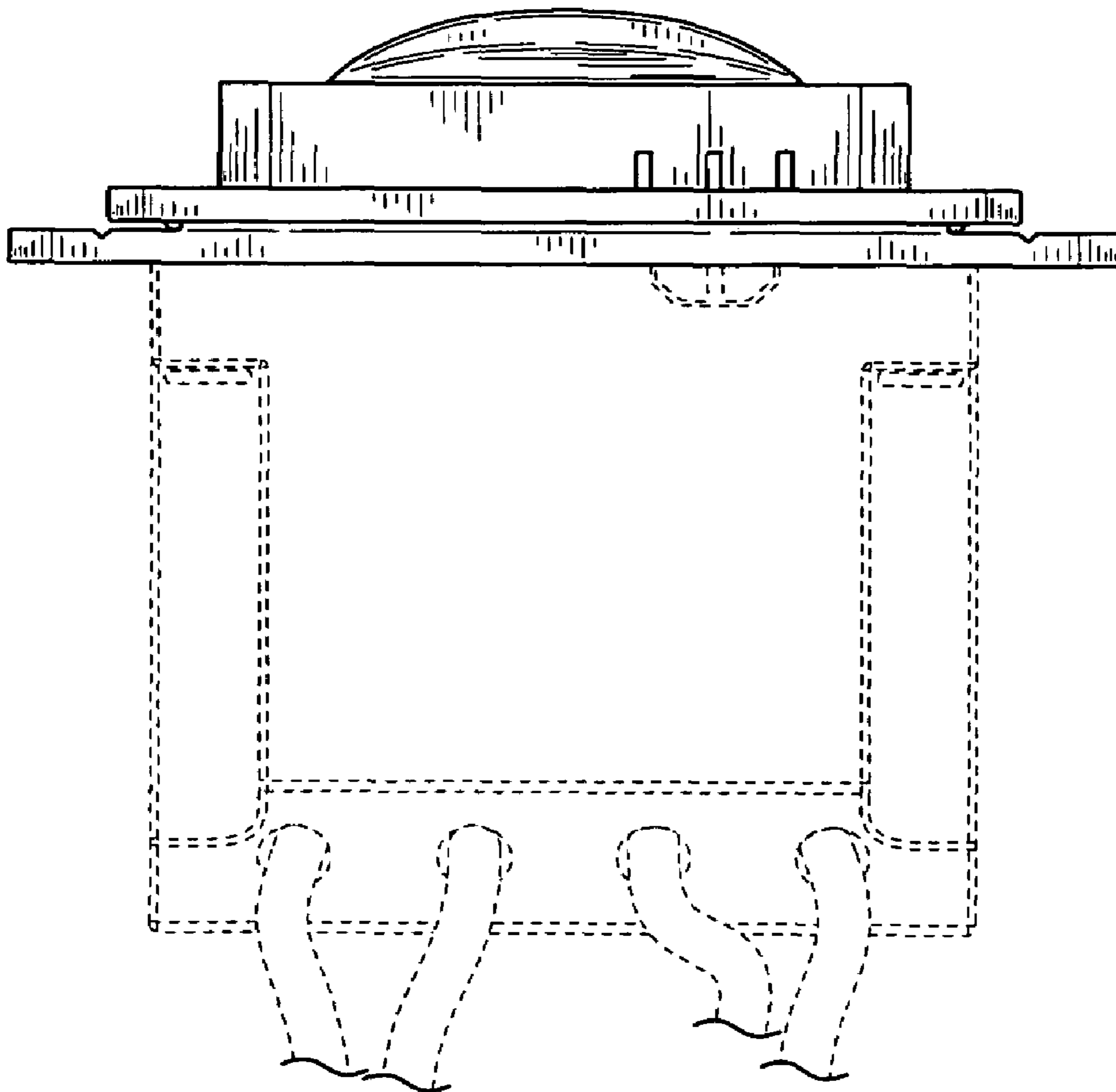


FIG. 3

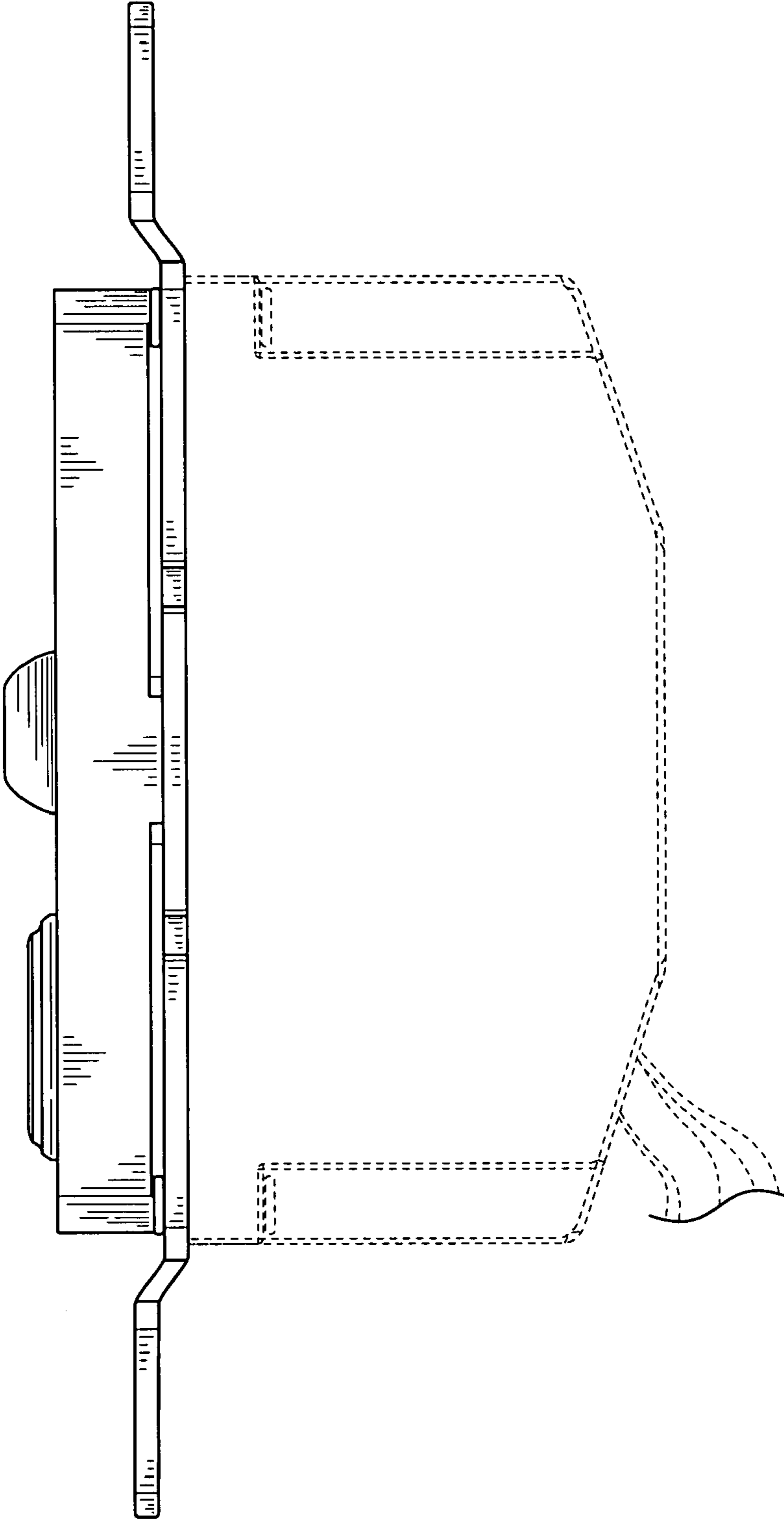


FIG. 4

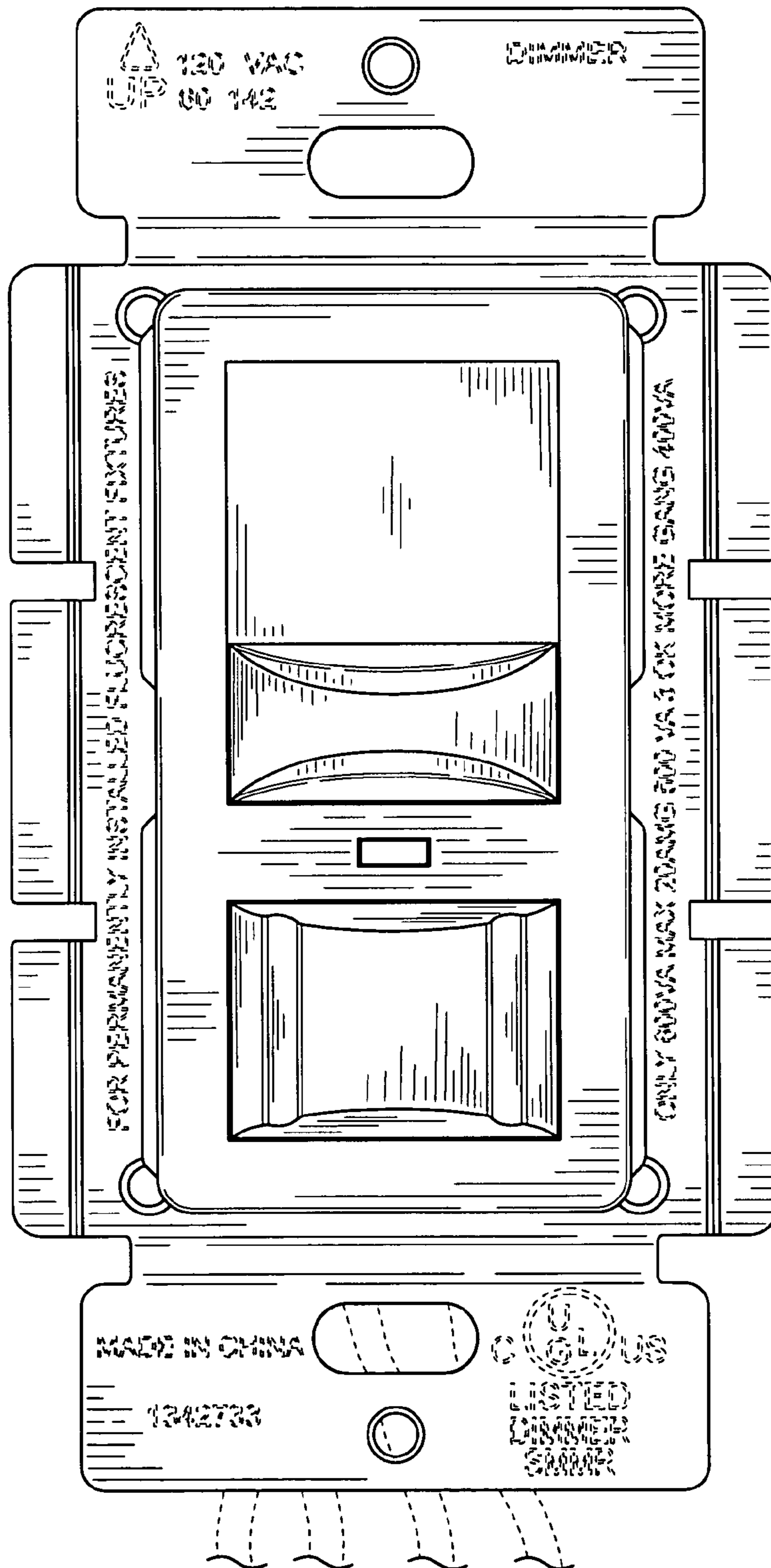


FIG. 5



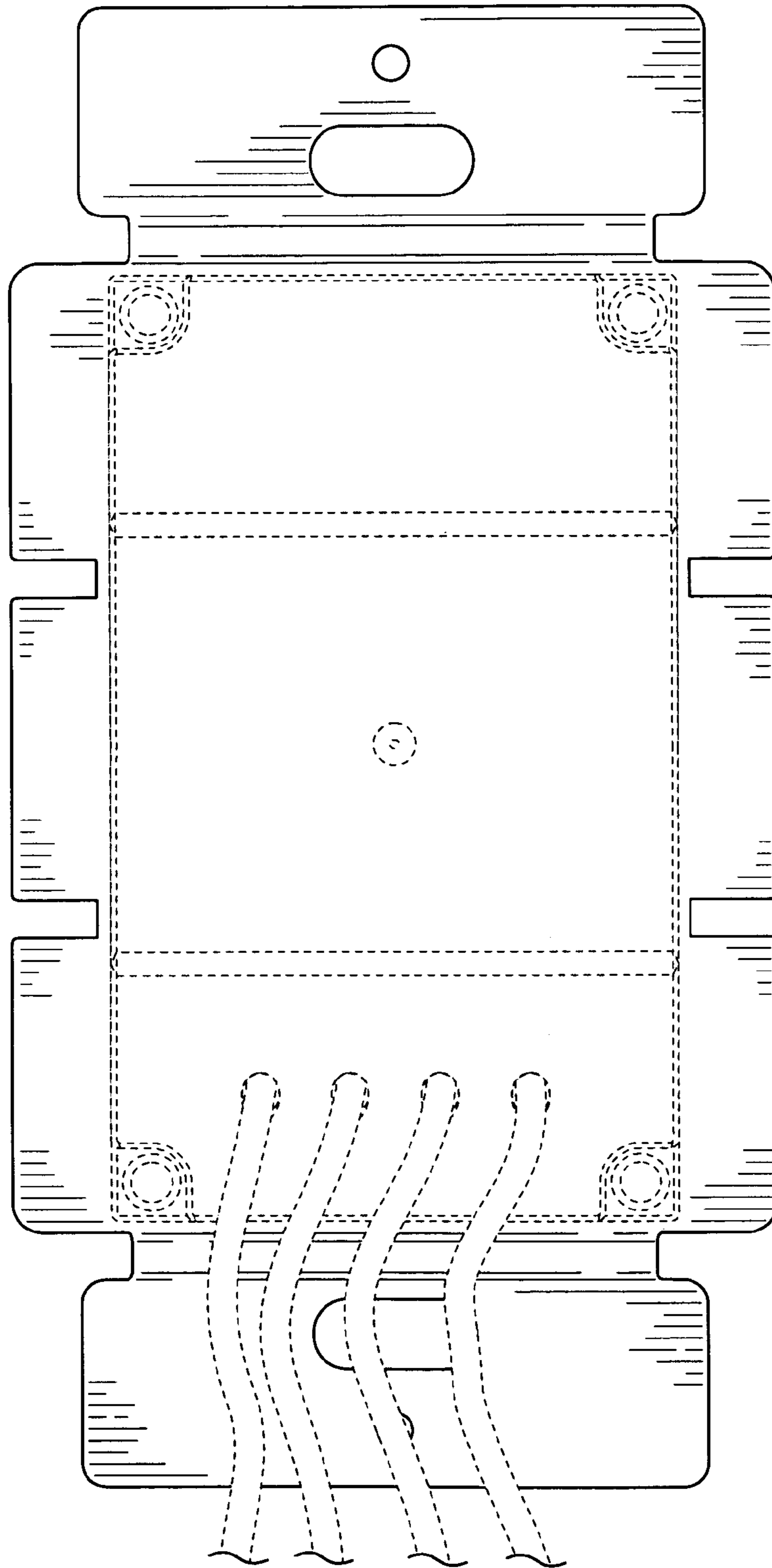


FIG. 6