



US00D583335S

(12) **United States Design Patent**
Ni

(10) **Patent No.:** **US D583,335 S**

(45) **Date of Patent:** **** Dec. 23, 2008**

(54) **DECORATOR DIMMER**

(75) Inventor: **Lidong Ni, Yueqing (CN)**

(73) Assignee: **Use Lighting Control, Inc., El Monte, CA (US)**

(**) Term: **14 Years**

(21) Appl. No.: **29/294,834**

(22) Filed: **Jan. 29, 2008**

(51) **LOC (8) Cl.** **13-03**

(52) **U.S. Cl.** **D13/169**

(58) **Field of Classification Search** D13/169;
174/66; 200/5 R, 1 B, 433, 525, 553, 315,
200/329, 335, 332, 339; 338/176; 315/291-296
See application file for complete search history.

(56) **References Cited**

U.S. PATENT DOCUMENTS

4,489,297	A *	12/1984	Haydon et al.	335/207
5,207,317	A *	5/1993	Bryde et al.	200/457
5,696,350	A *	12/1997	Anker	174/66
6,005,308	A *	12/1999	Bryde et al.	307/157
6,727,446	B1 *	4/2004	Mayo et al.	200/296

D517,024	S *	3/2006	Fort et al.	D13/170
D534,875	S *	1/2007	Wu	D13/169
D539,759	S *	4/2007	Lombardi et al.	D13/169
2008/0017398	A1 *	1/2008	Alderson et al.	174/66

* cited by examiner

Primary Examiner—Selina Sikder

(74) *Attorney, Agent, or Firm*—Law Offices of Christine Yang

(57) **CLAIM**

The ornamental design for a decorator dimmer, as shown and described.

DESCRIPTION

FIG. 1 is a perspective view.

FIG. 2 is a bottom view.

FIG. 3 is a top view.

FIG. 4 is a right side view.

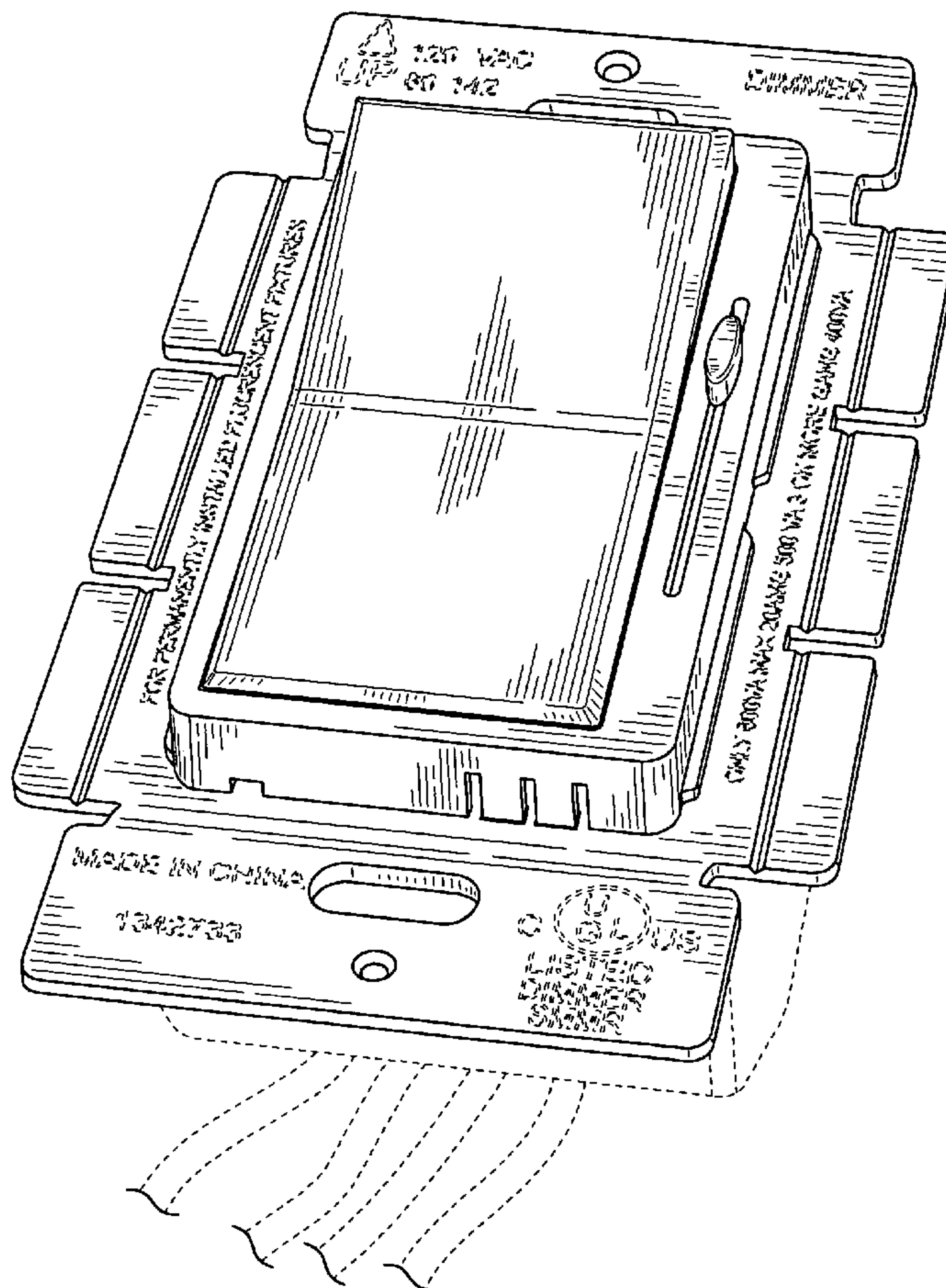
FIG. 5 is a left side view.

FIG. 6 is a front view; and,

FIG. 7 is a back view.

The broken lines represent unclaimed subject matter.

1 Claim, 7 Drawing Sheets



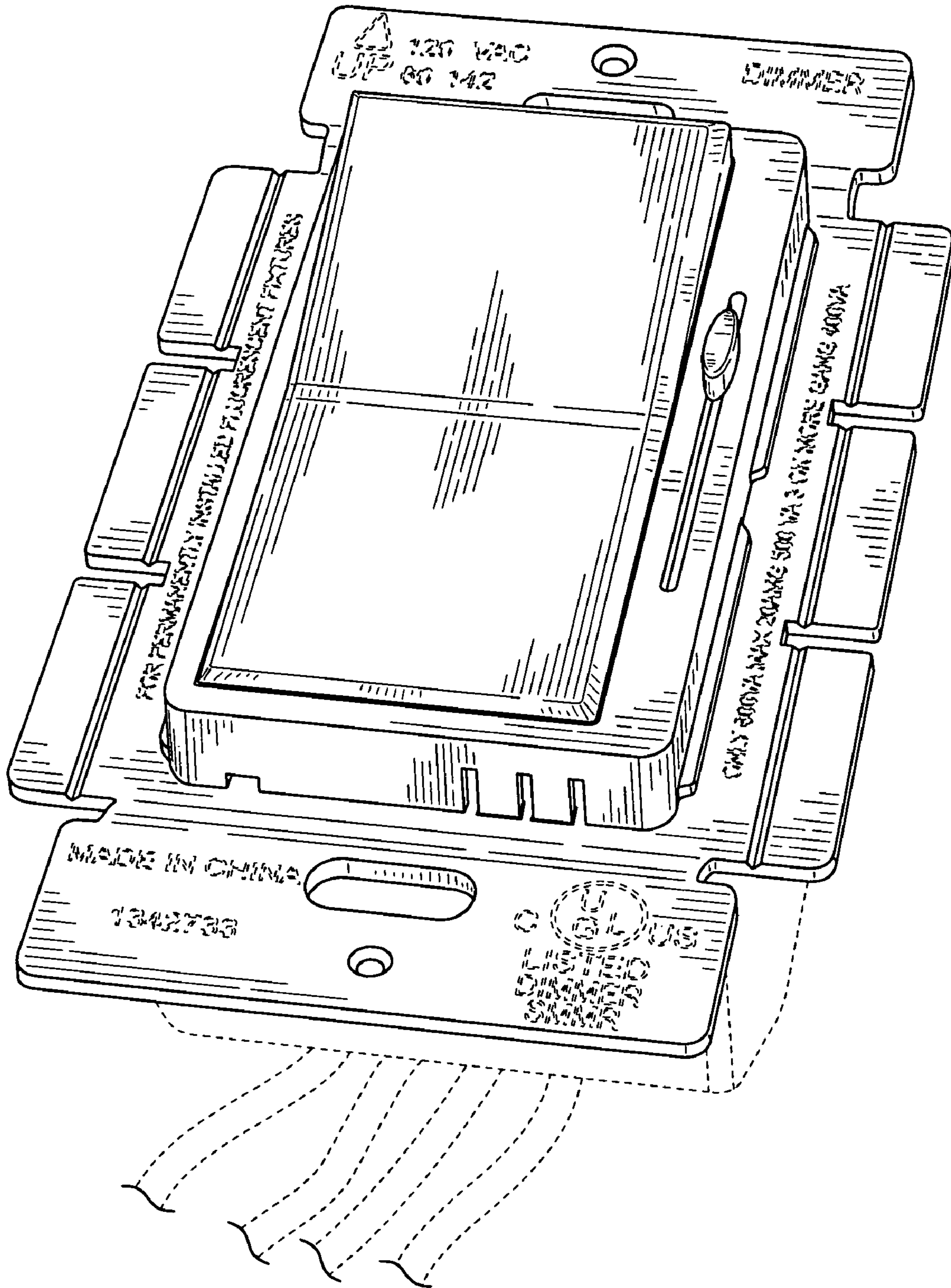


FIG. 1

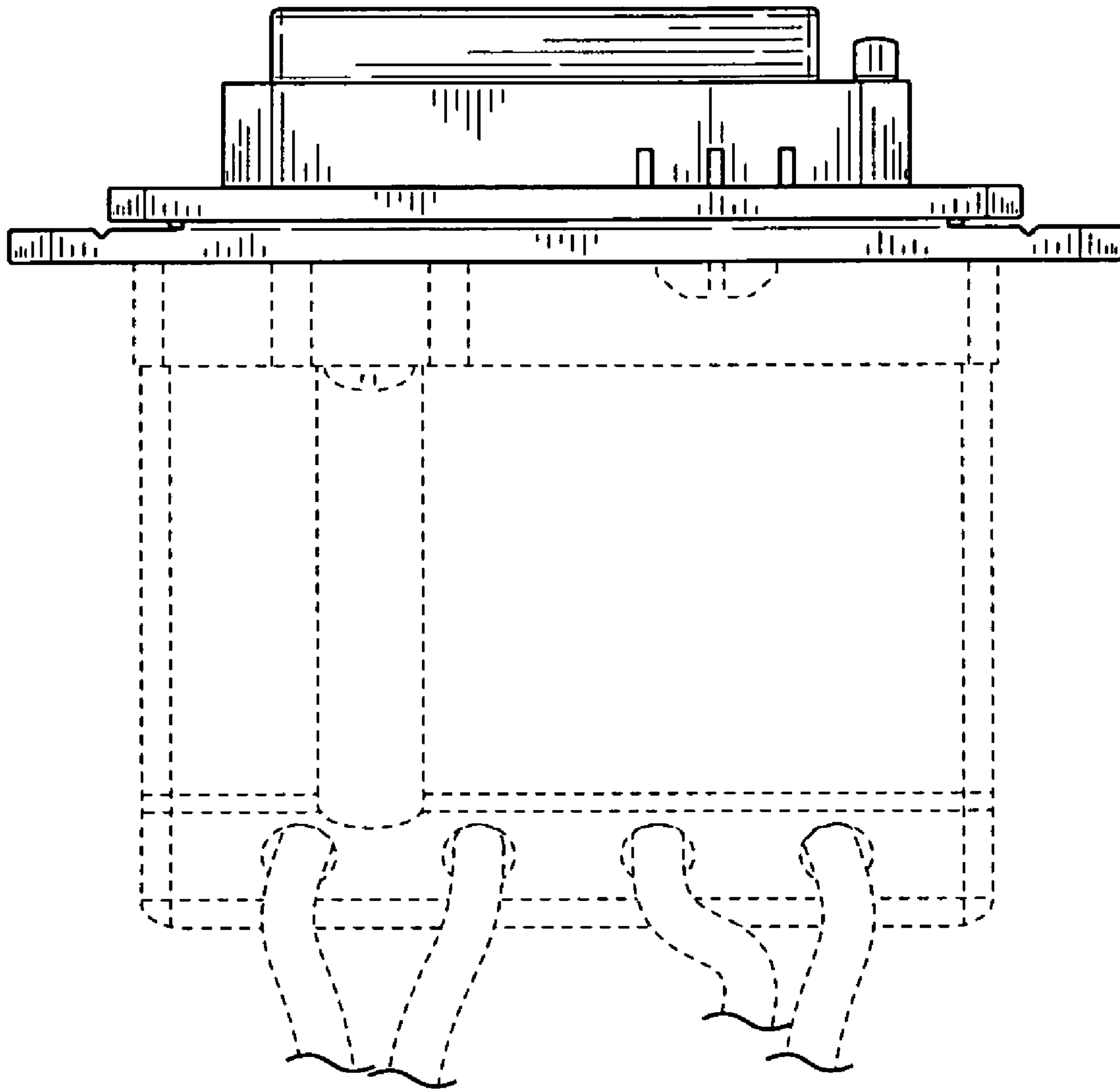


FIG. 2

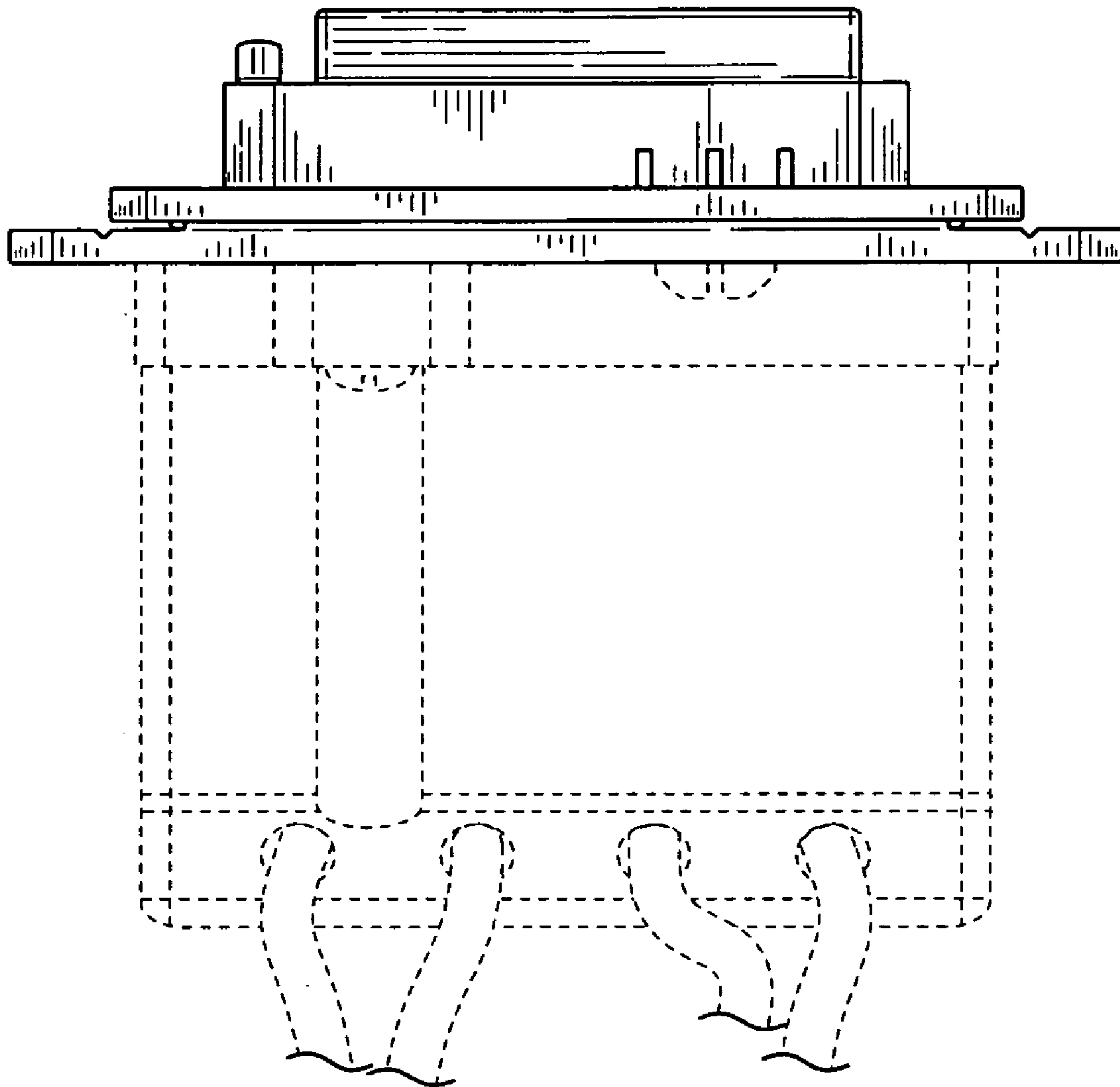


FIG. 3

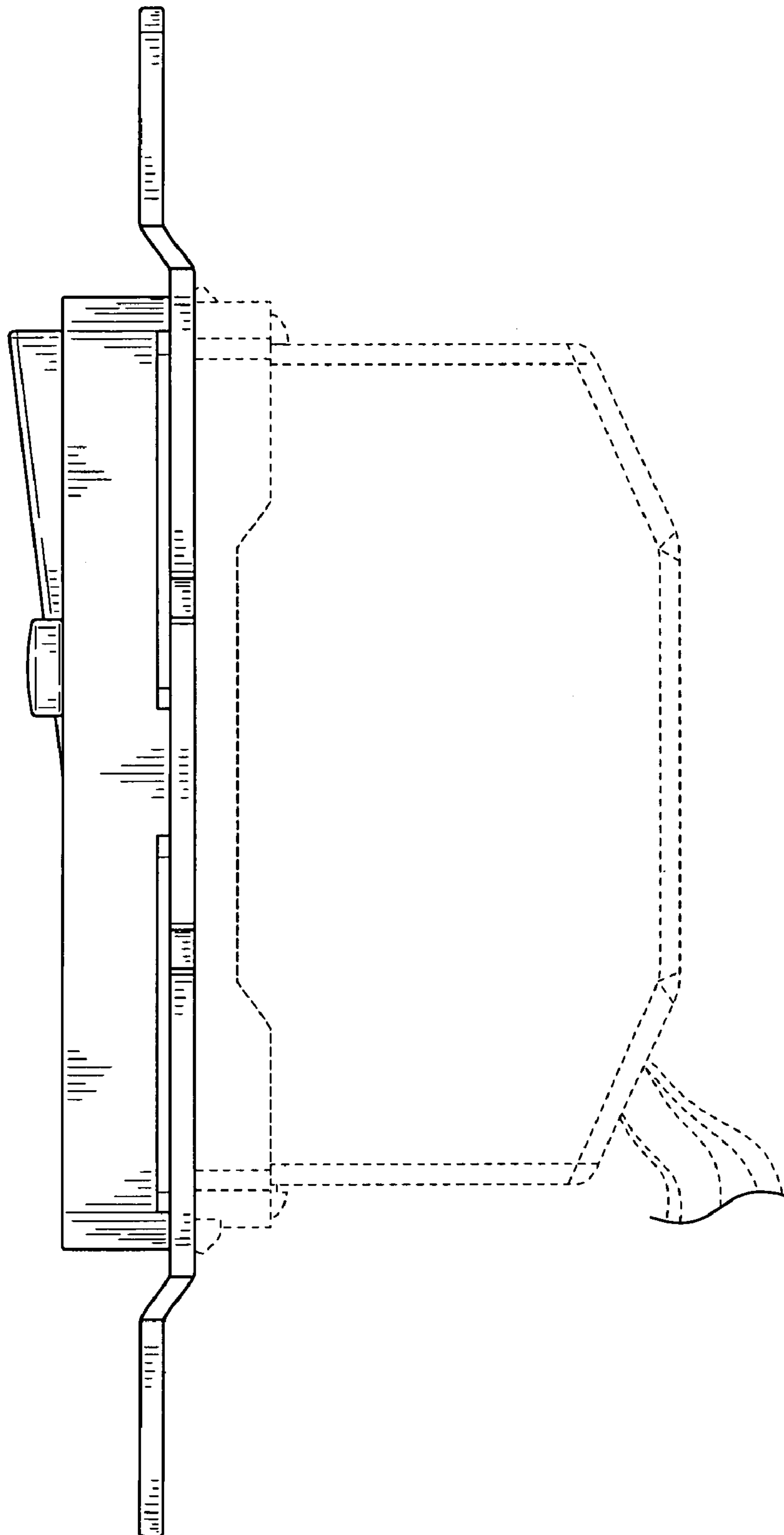


FIG. 4

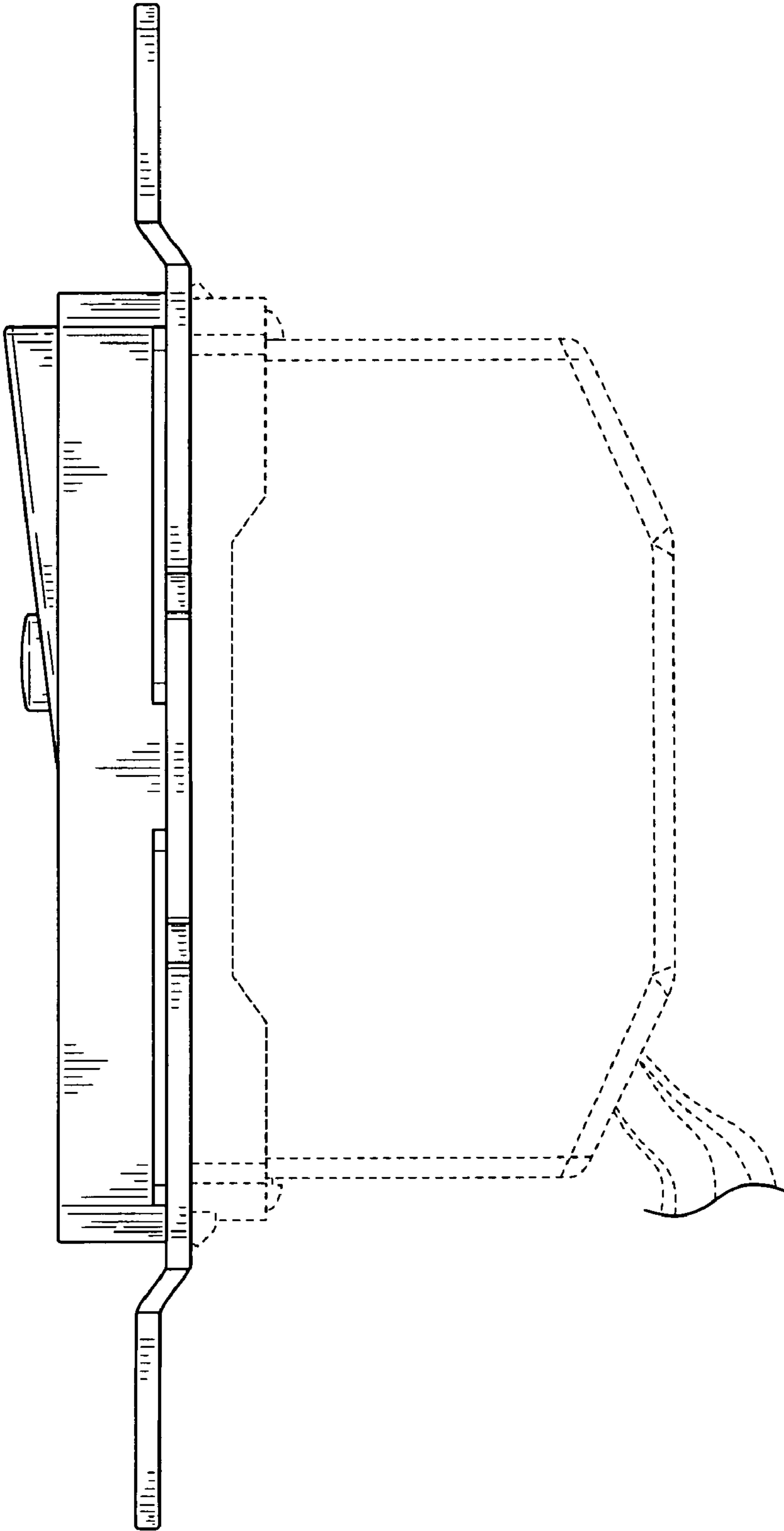


FIG. 5

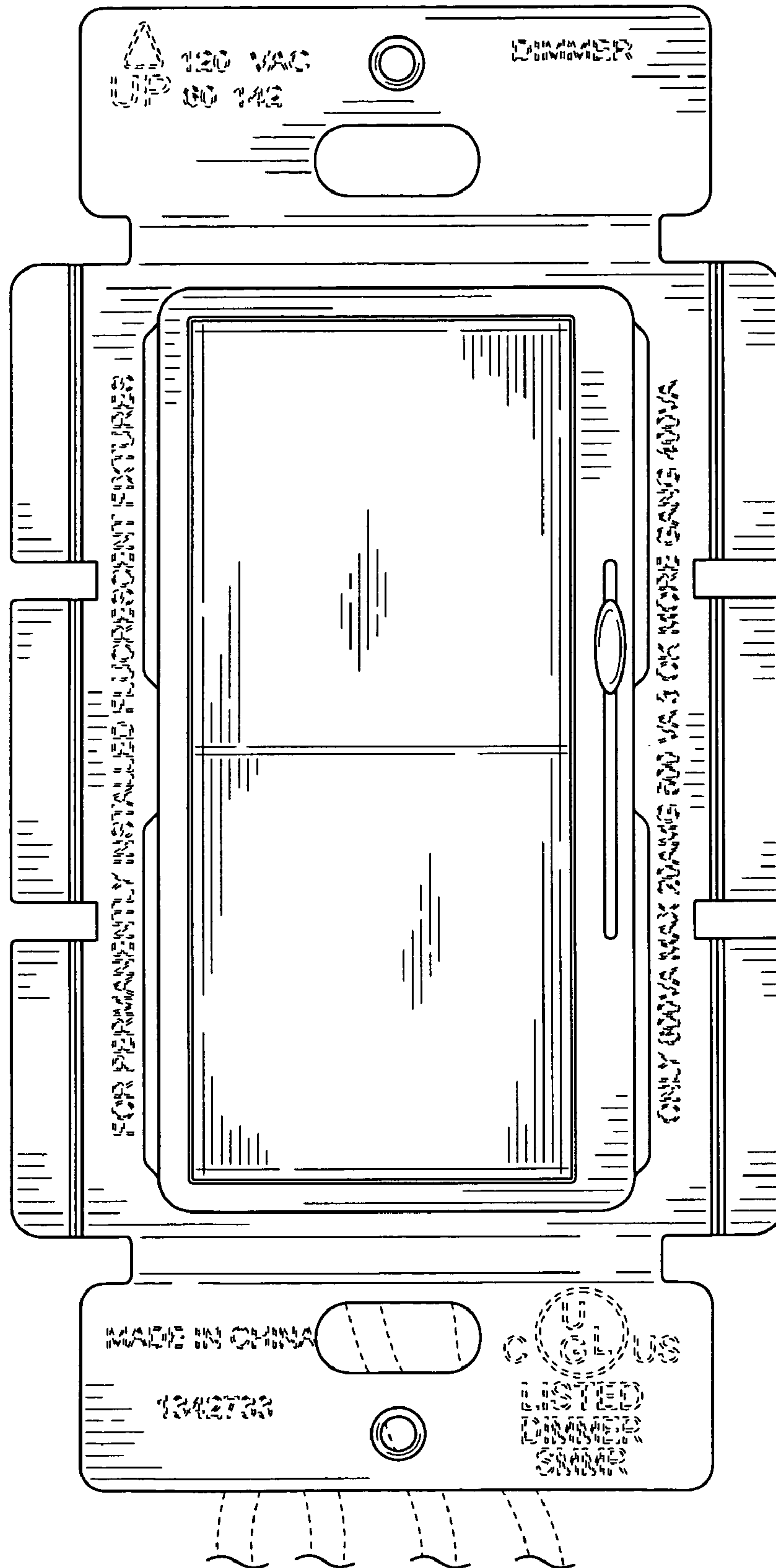


FIG. 6

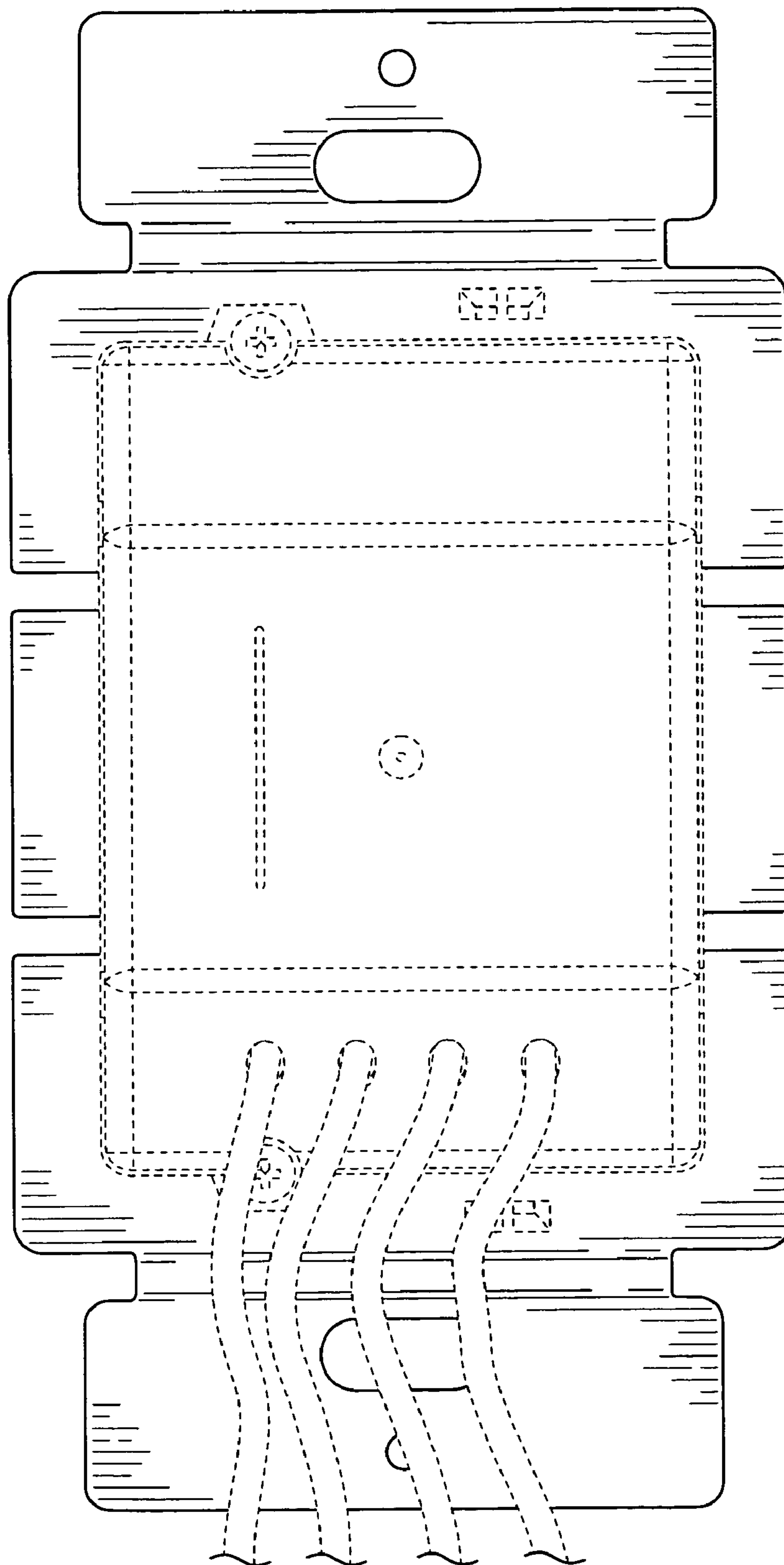


FIG. 7