



US00D583334S

(12) **United States Design Patent**  
**Ball et al.**

(10) **Patent No.:** **US D583,334 S**  
(45) **Date of Patent:** **\*\* Dec. 23, 2008**

(54) **TEST SWITCH**

2006/0059681 A1\* 3/2006 Ball ..... 29/622

\* cited by examiner

(75) Inventors: **Roy Ball**, Coral Springs, FL (US);  
**Timothy F. Masters**, Boca Raton, FL (US);  
**Patrick Hugh**, Margate, FL (US);  
**Richard Lindo**, Lauderhill, FL (US);  
**Todd Gentile**, Tamarac, FL (US)

*Primary Examiner*—Selina Sikder  
(74) *Attorney, Agent, or Firm*—Michael M. Rickin; Paul R. Katterle; Michael C. Prewitt

(73) Assignee: **ABB Technology AG**, Zurich (CH)

(57) **CLAIM**

(\*\*) Term: **14 Years**

We claim the ornamental design for a test switch, as shown and described.

(21) Appl. No.: **29/263,484**

**DESCRIPTION**

(22) Filed: **Jul. 24, 2006**

FIG. 1 is a front and right side perspective view of a test switch according to the present invention;

(51) **LOC (8) Cl.** ..... **13-03**

(52) **U.S. Cl.** ..... **D13/169**

(58) **Field of Classification Search** ..... D13/158,  
D13/162, 164, 169; 29/622; 200/5 A, 1 B,  
200/433, 525, 553, 315, 332, 339, 335; 324/418-423,  
324/754; 335/159; 361/189; 439/517, 521  
See application file for complete search history.

FIG. 2 is a rear and left side perspective view of the FIG. 1 test switch;

FIG. 3 is a front elevational view of the FIG. 1 test switch;

FIG. 4 is a rear elevational view of the FIG. 1 test switch;

FIG. 5 is a left side elevational view of the FIG. 1 test switch, the right side being a mirror image of the left side;

FIG. 6 is a top plan view of the FIG. 1 test switch; and,

FIG. 7 is a bottom plan view of the FIG. 1 test switch.

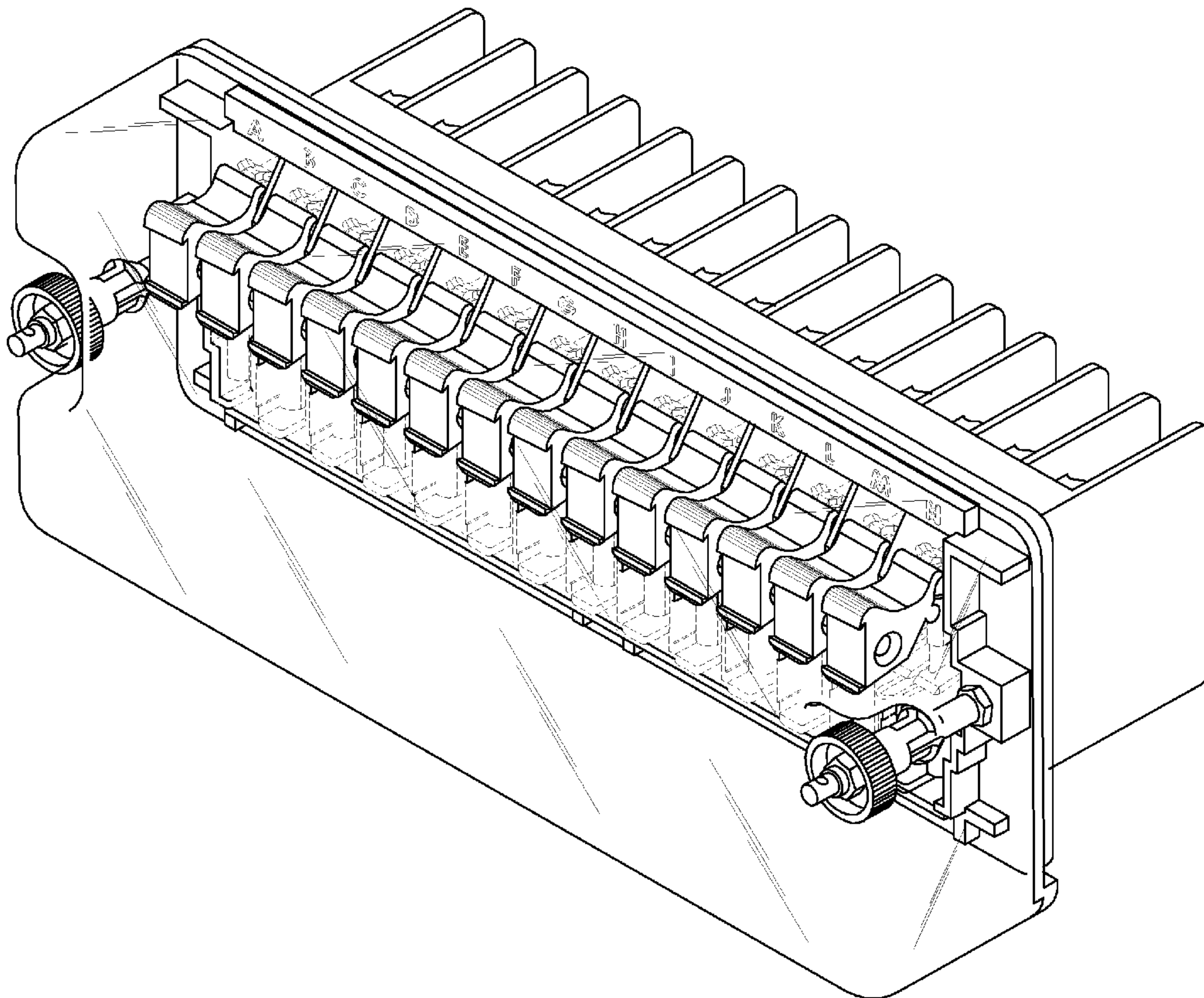
The broken lines define portions of the test switch that form no part of the claimed design.

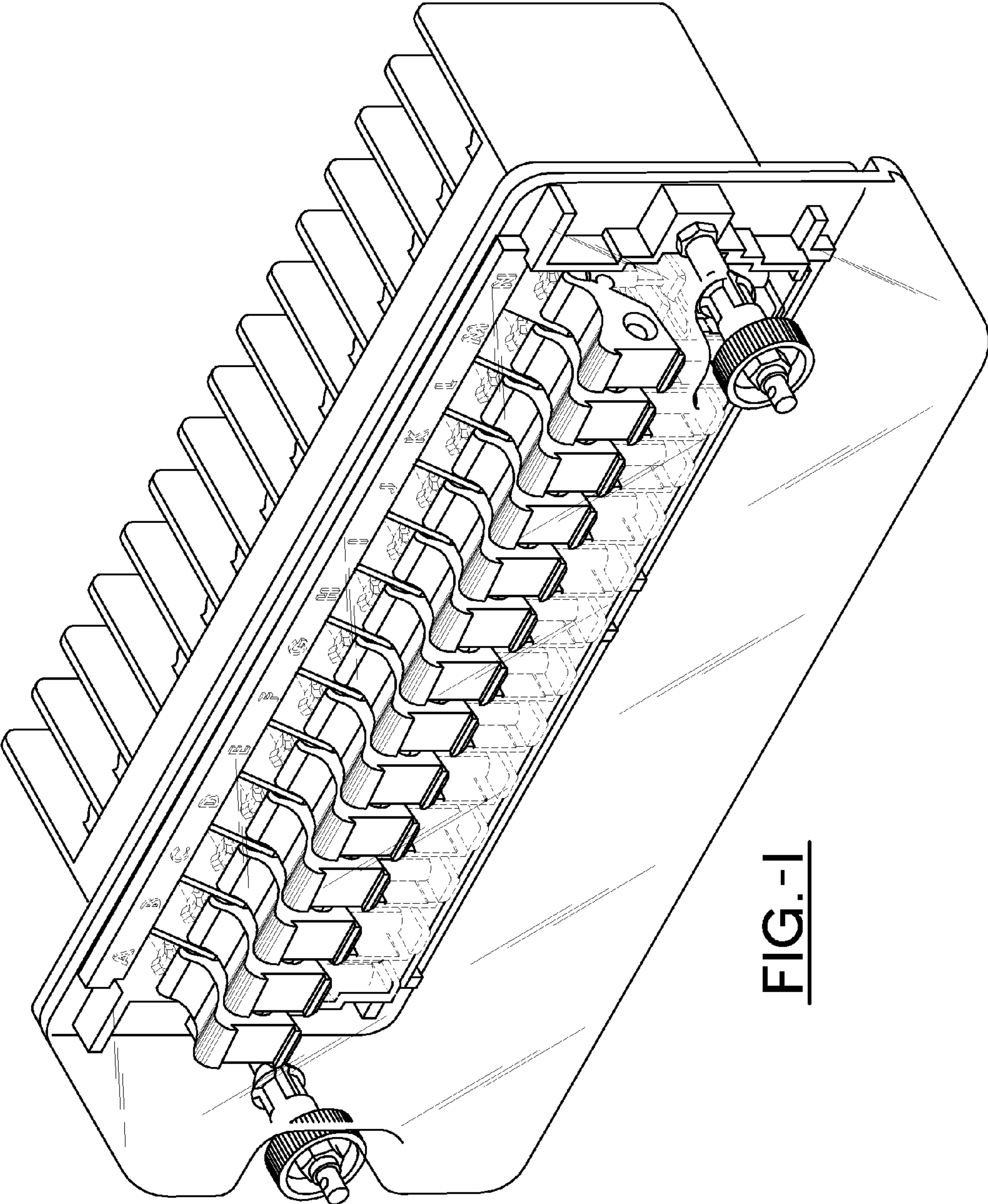
(56) **References Cited**

**U.S. PATENT DOCUMENTS**

6,384,350 B1\* 5/2002 Shincovich et al. .... 200/5 A  
6,551,126 B1\* 4/2003 Feldman ..... 439/482  
2005/0250376 A1\* 11/2005 Ostmeier ..... 439/521

**1 Claim, 7 Drawing Sheets**





**FIG.-1**



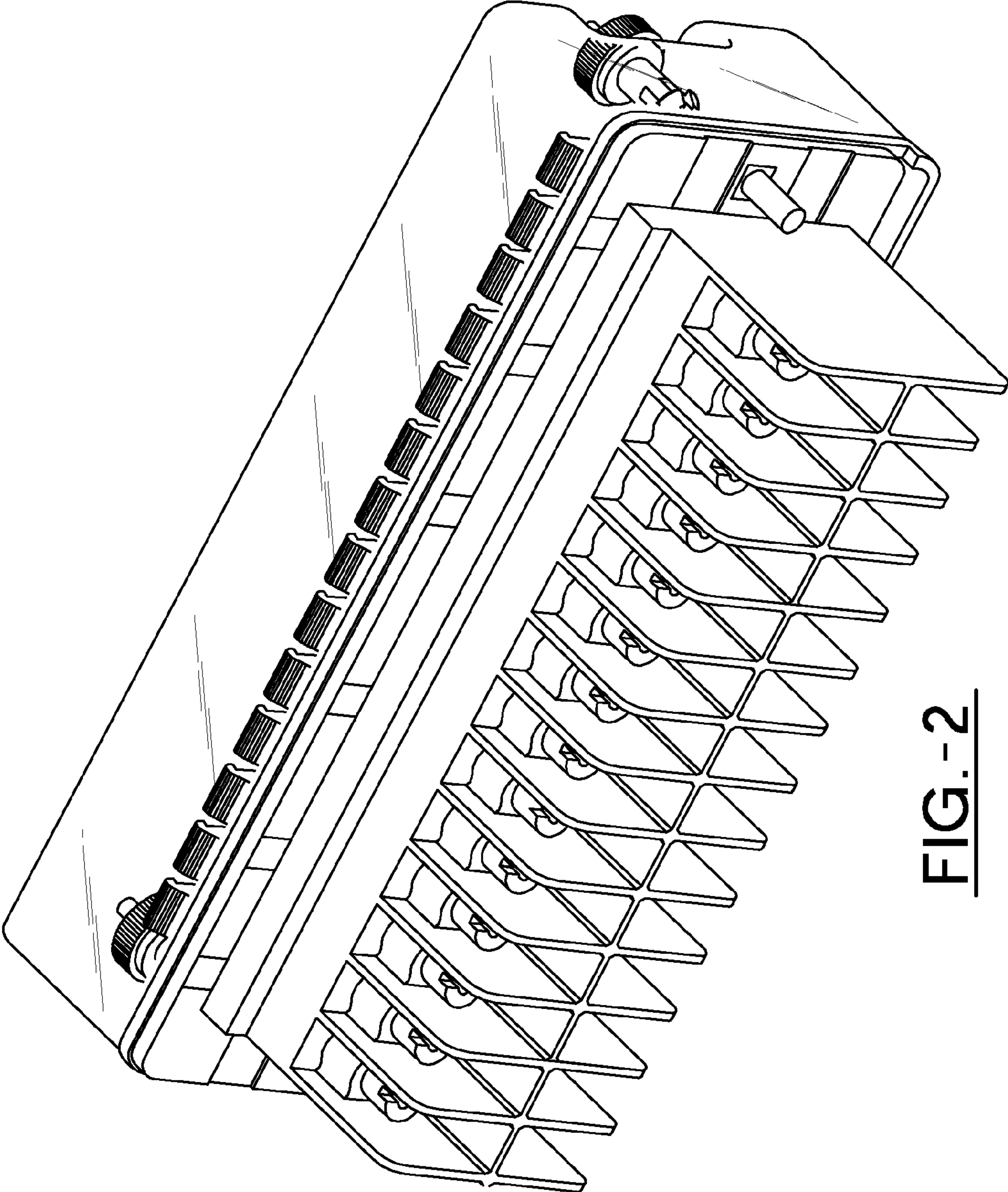


FIG.-2

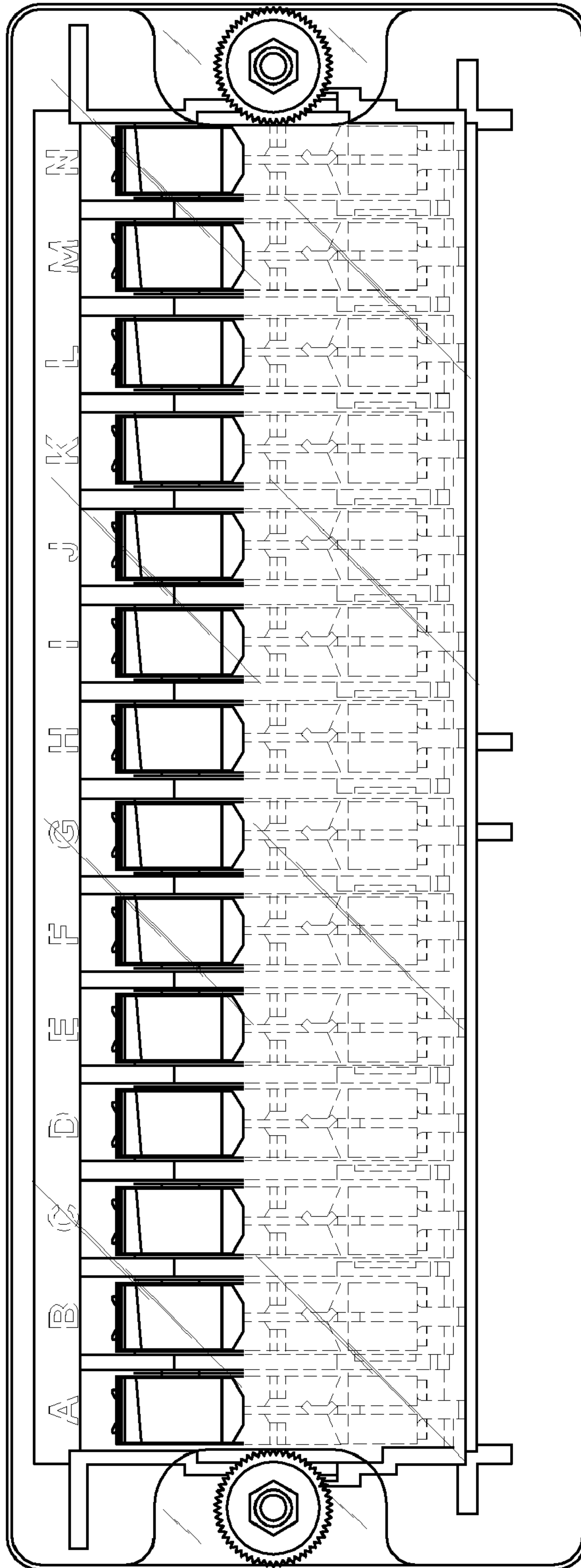


FIG. -3

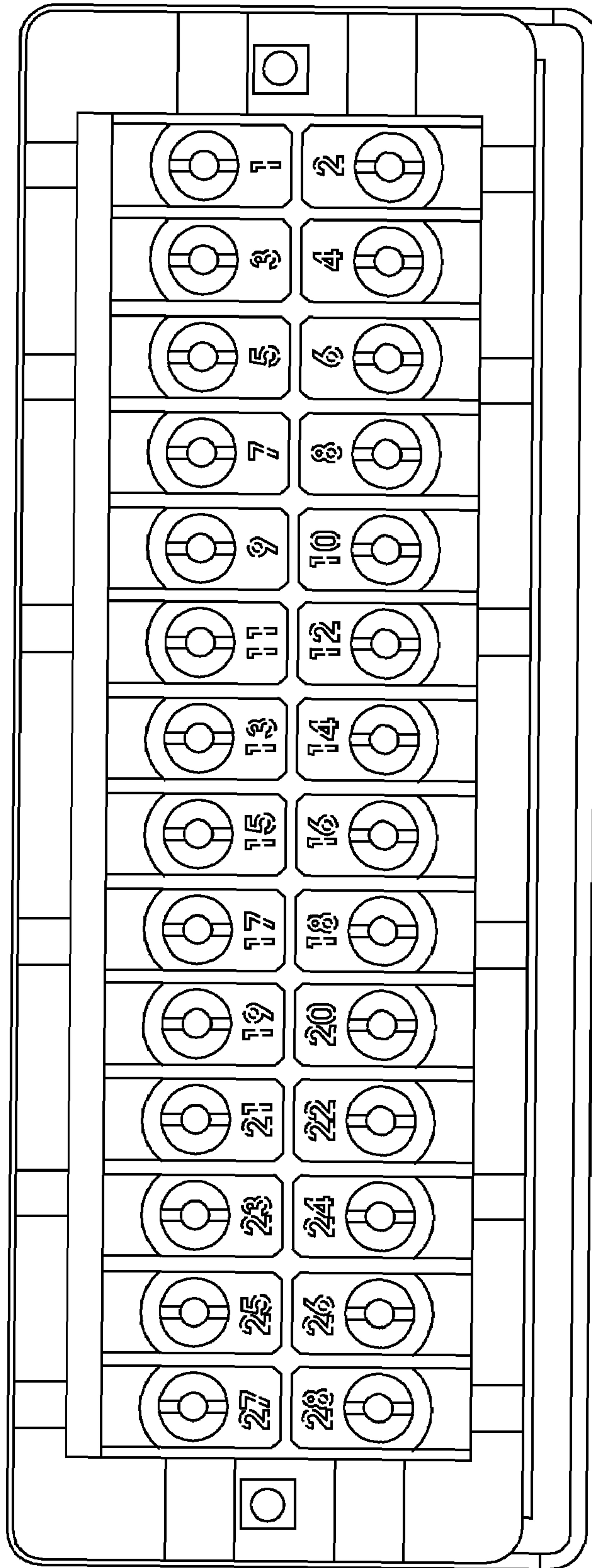


FIG.-4

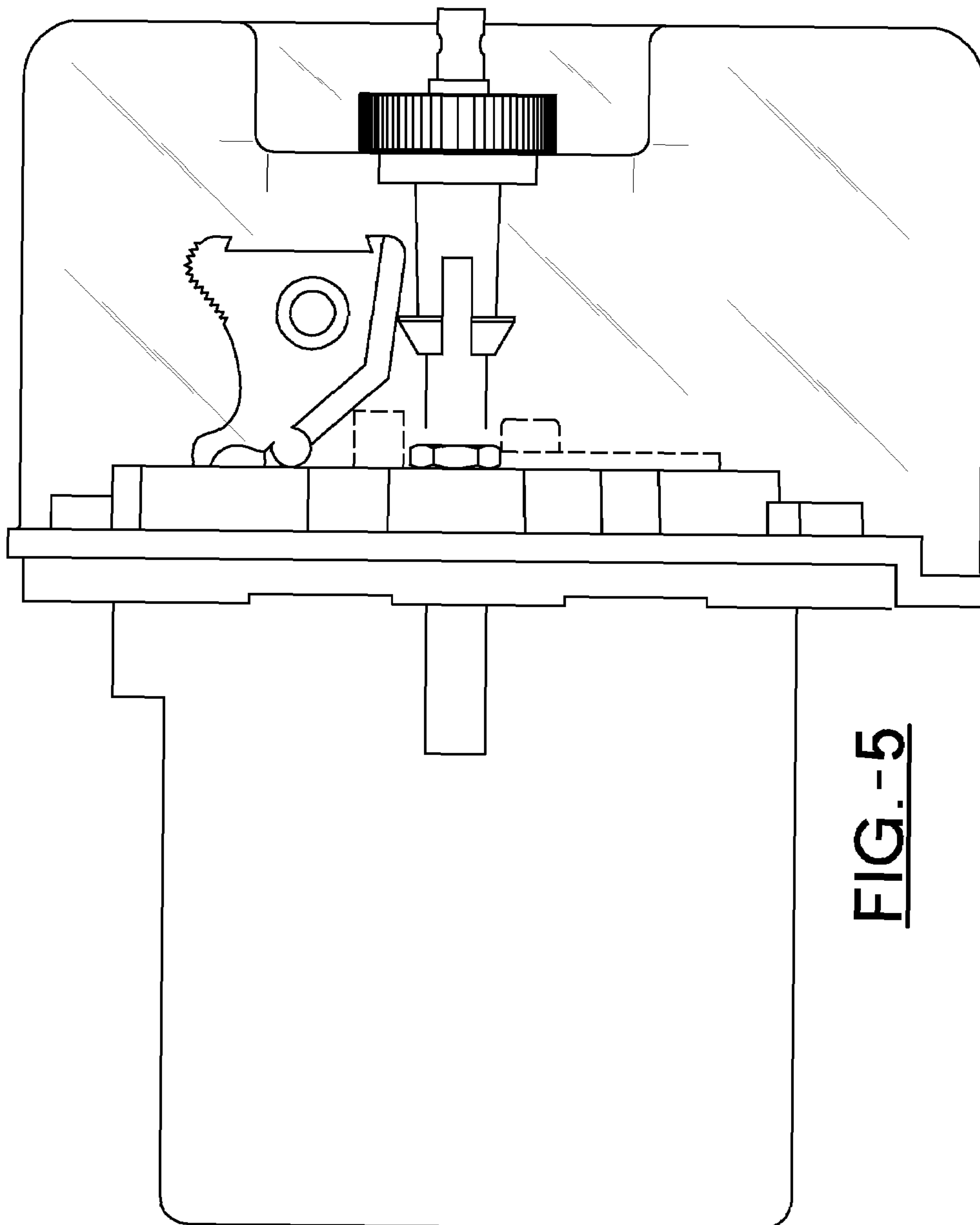


FIG.-5

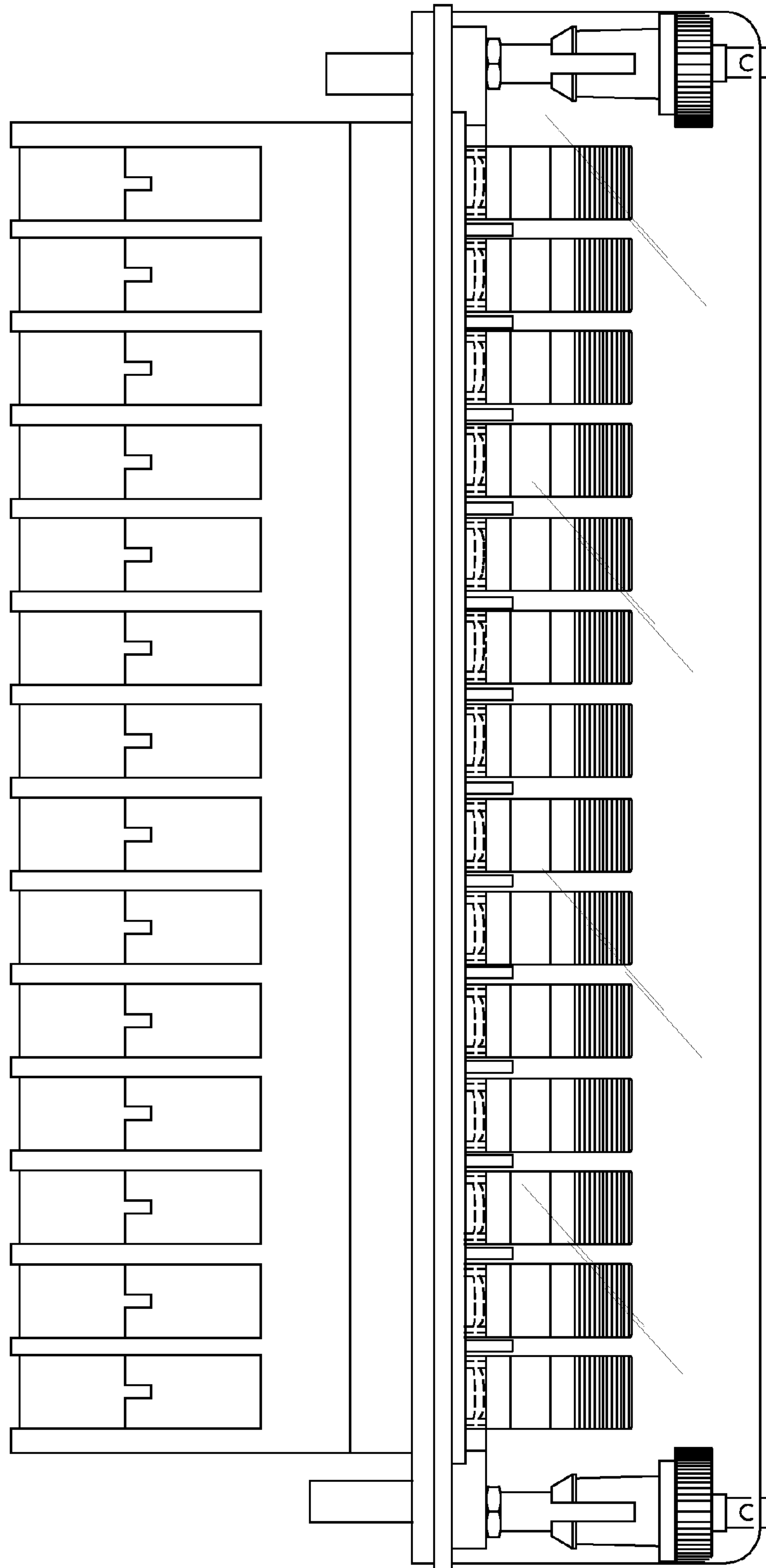


FIG. - 6

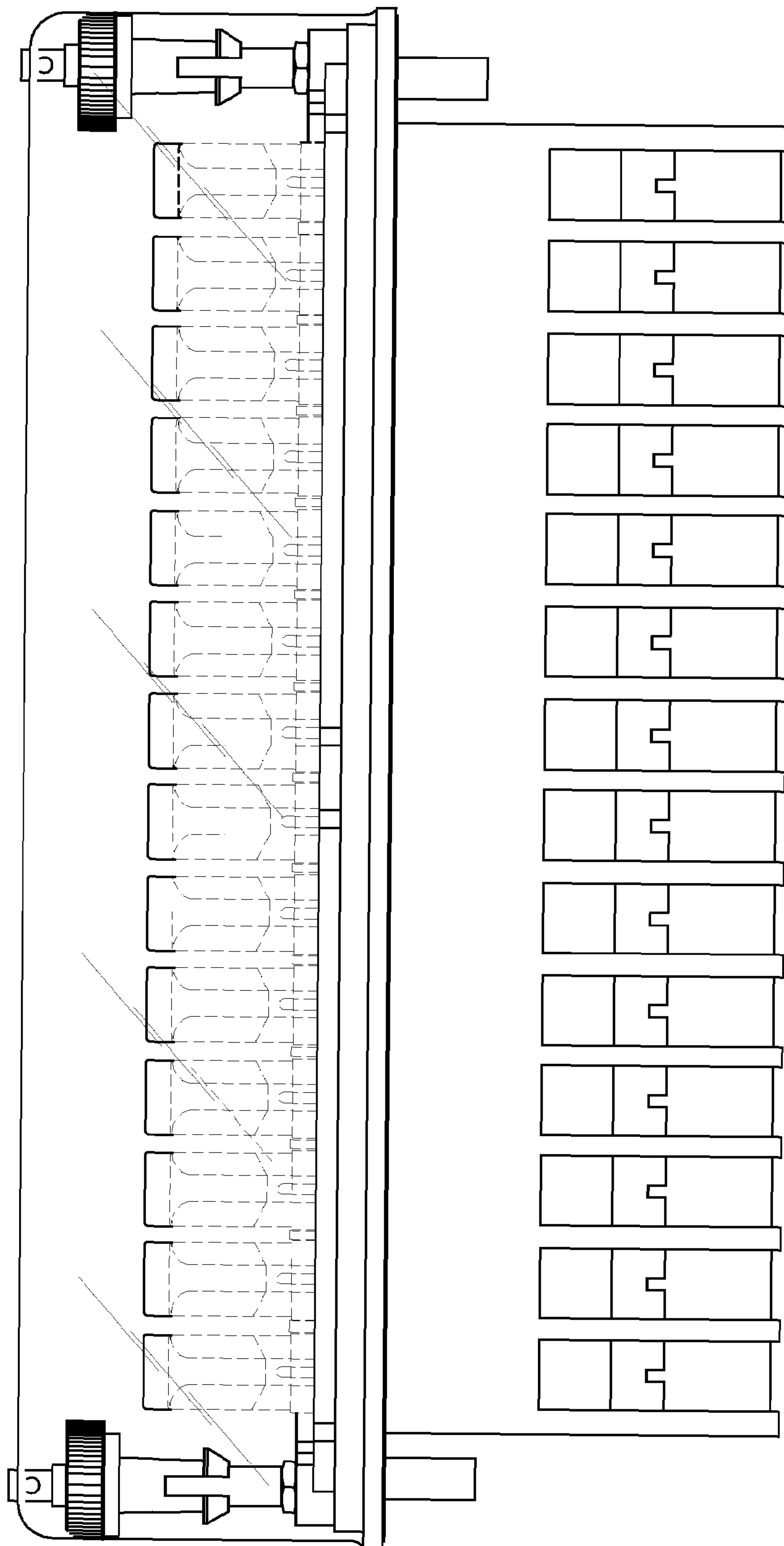


FIG.-7