



US00D583332S

(12) **United States Design Patent**  
**Shang**

(10) **Patent No.:** **US D583,332 S**

(45) **Date of Patent:** **\*\* Dec. 23, 2008**

(54) **OUTDOOR POLE**

D558,148 S \* 12/2007 Ruemenapp ..... D13/160  
D558,149 S \* 12/2007 Ruemenapp ..... D13/160

(75) Inventor: **Wenkai Shang**, Ratingen (DE)

\* cited by examiner

(73) Assignee: **ABB Technology AG**, Zurich (CH)

*Primary Examiner*—Daniel D Bui

*Assistant Examiner*—Thomas J Johannes

(\*\*) Term: **14 Years**

(74) *Attorney, Agent, or Firm*—Buchanan Ingersoll & Rooney PC

(21) Appl. No.: **29/290,490**

(22) Filed: **Dec. 11, 2007**

(57) **CLAIM**

(30) **Foreign Application Priority Data**

The ornamental design for an outdoor pole, as shown and described.

Jul. 26, 2007 (EM) ..... 000765060

**DESCRIPTION**

(51) **LOC (8) Cl.** ..... **13-03**

FIG. 1 is a front, left perspective view of an outside pole according to my new design;

(52) **U.S. Cl.** ..... **D13/158**

FIG. 2 is a front view thereof;

(58) **Field of Classification Search** ..... D13/120,

FIG. 3 is a left side view thereof;

D13/158, 160, 184, 199; 218/118, 119, 7,  
218/77, 78, 79, 2, 102; 251/172; 361/605,  
361/612

FIG. 4 is a top view thereof;

See application file for complete search history.

FIG. 5 is a right side view thereof; and,

FIG. 6 is a rear view thereof.

(56) **References Cited**

The broken line portion of the figure drawings is included to show the unclaimed subject matter only and forms no part of the claimed design.

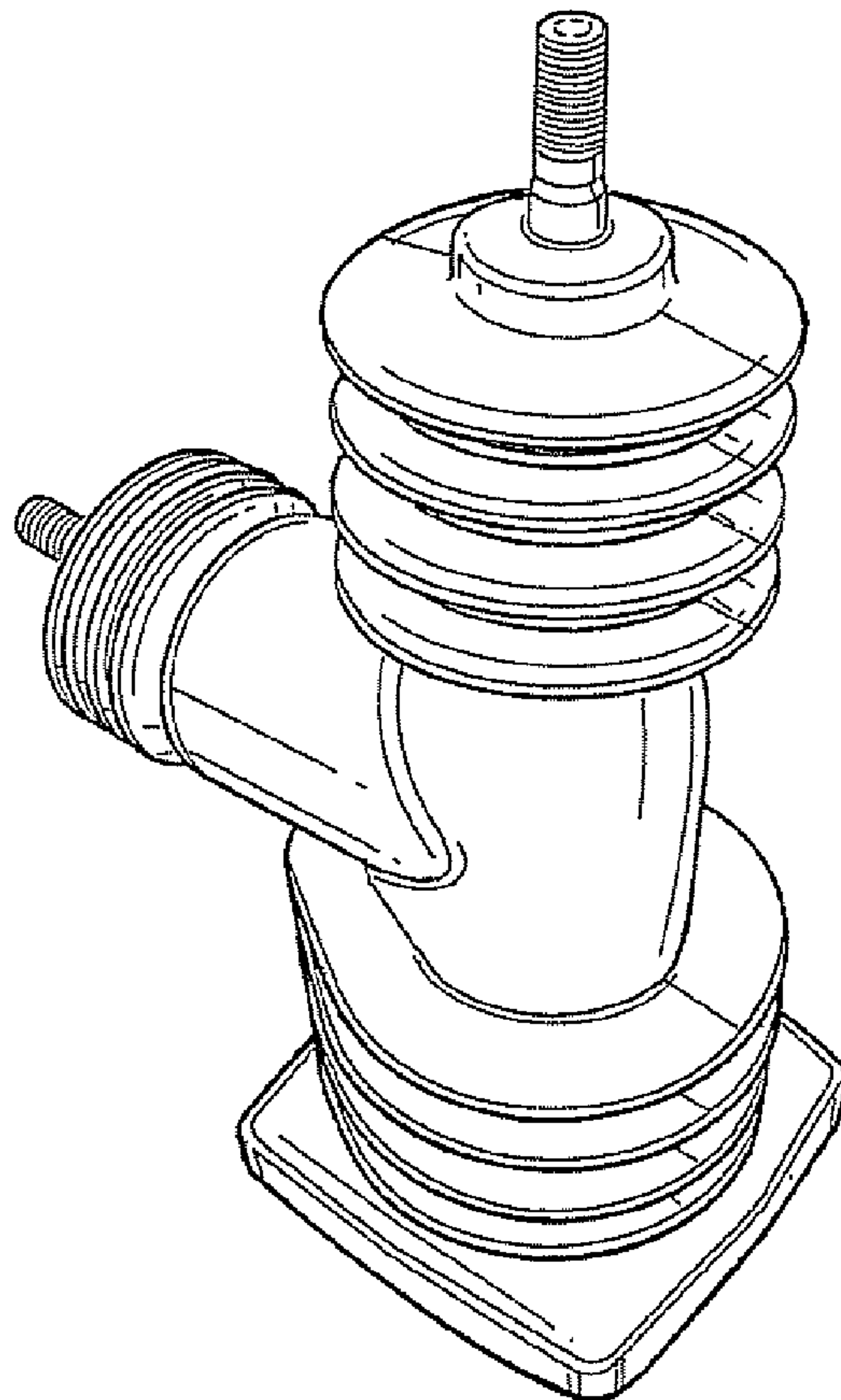
**U.S. PATENT DOCUMENTS**

D554,592 S \* 11/2007 Mildes et al. .... D13/158

D556,696 S \* 12/2007 Ruemenapp ..... D13/158

D558,147 S \* 12/2007 Ruemenapp ..... D13/158

**1 Claim, 4 Drawing Sheets**



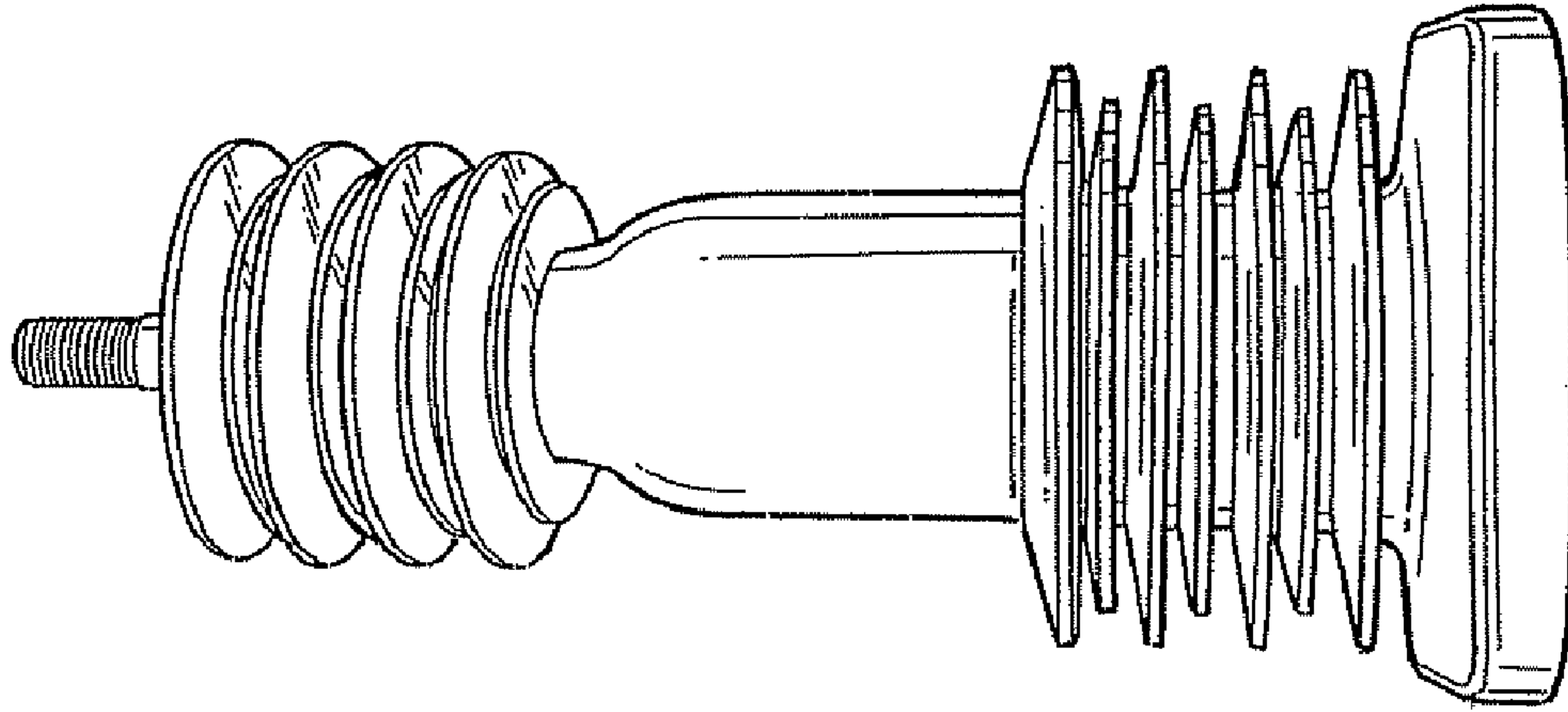


FIG. 2

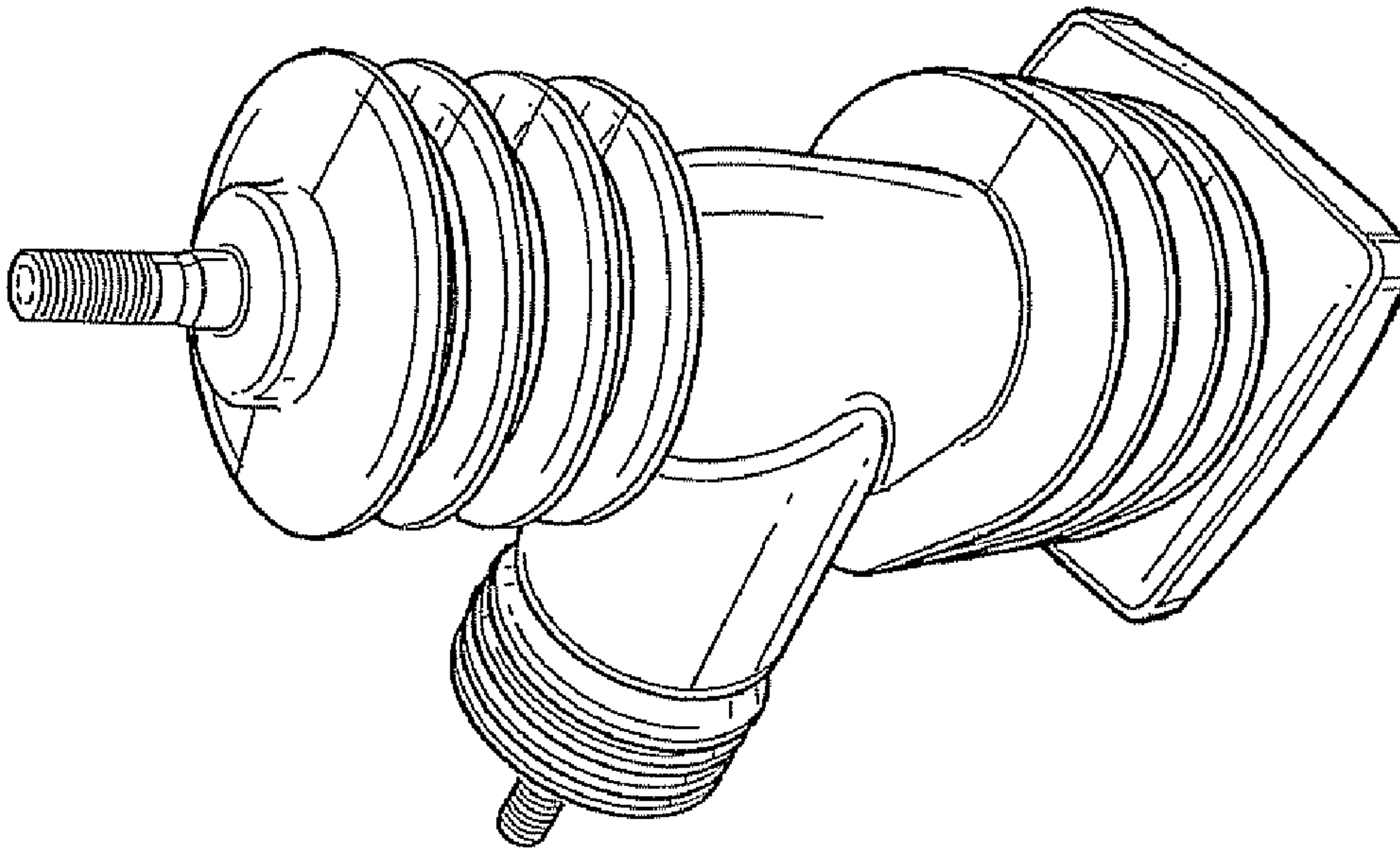


FIG. 1

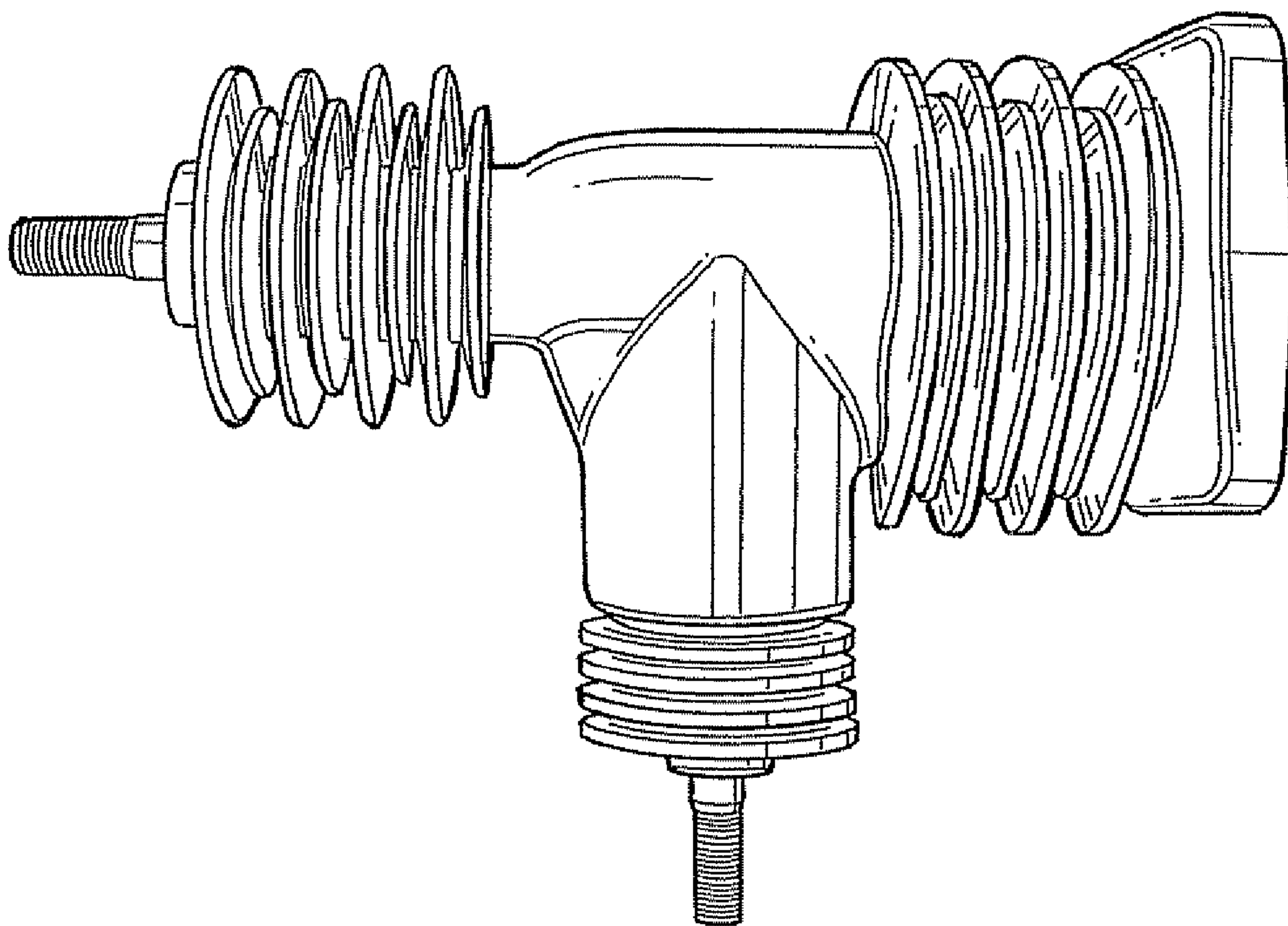


FIG. 3

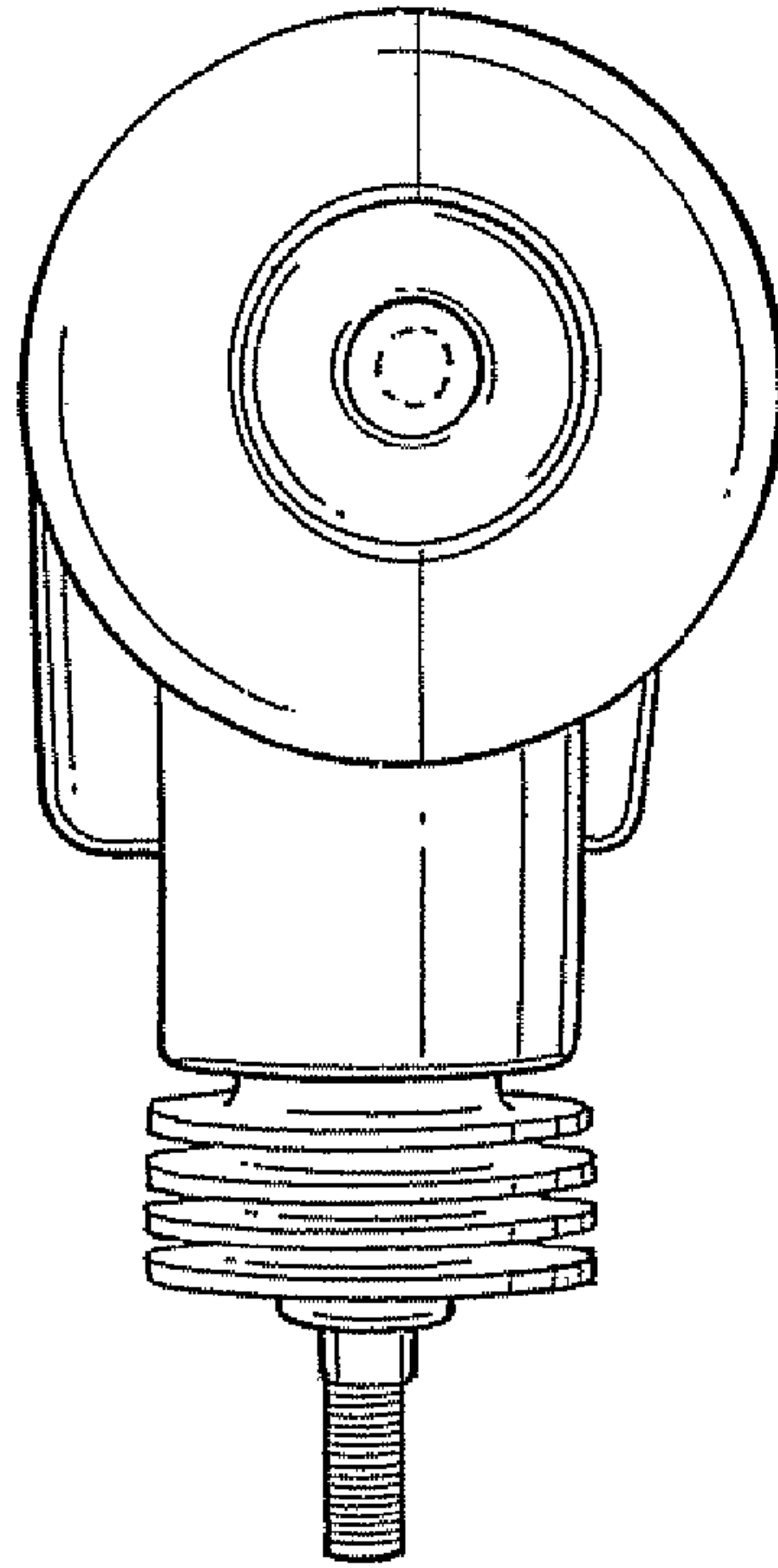


FIG. 4

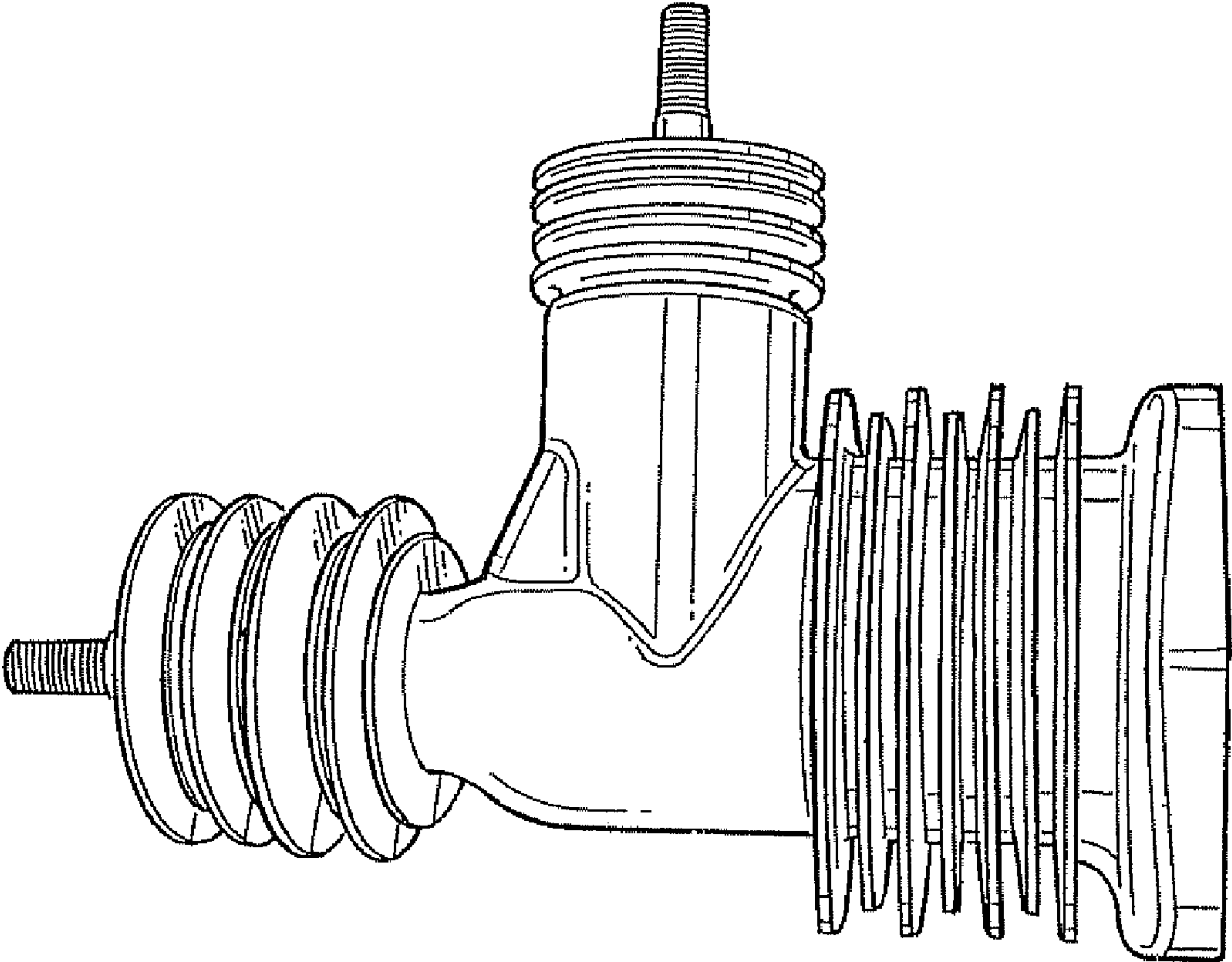
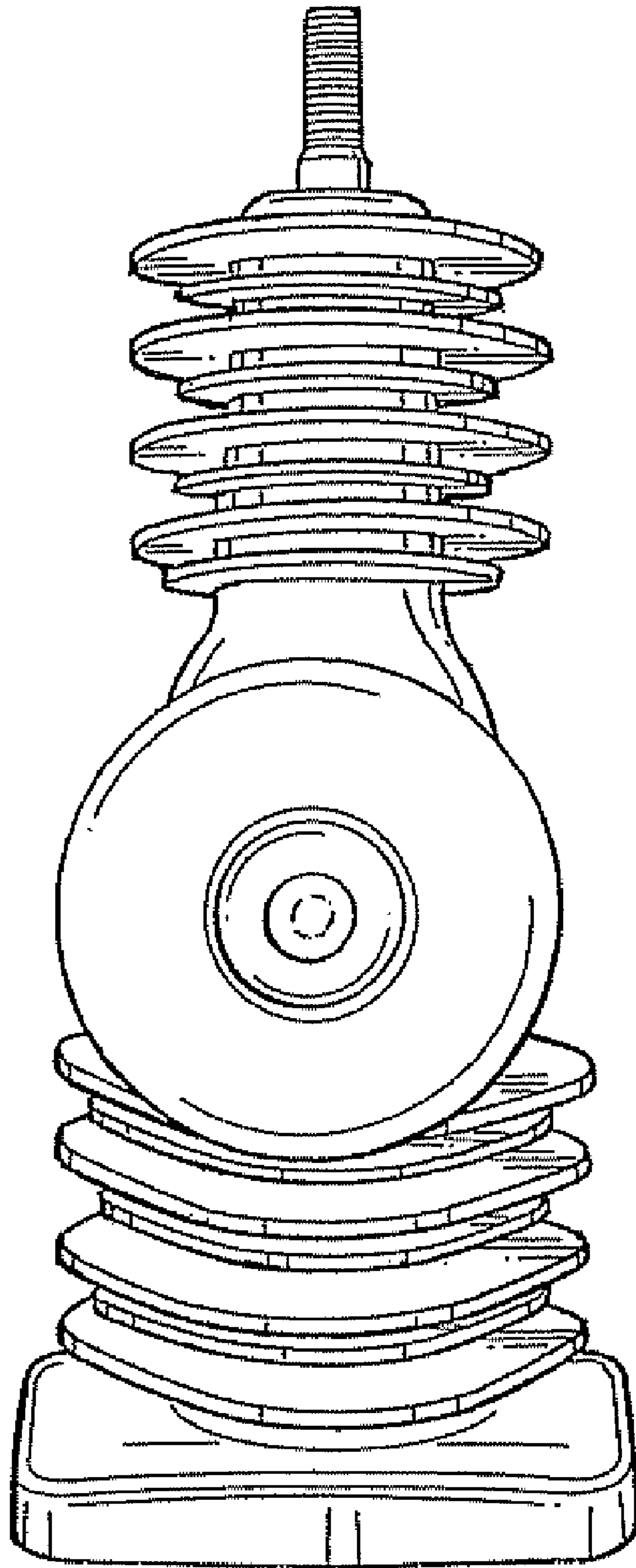


FIG. 5



**FIG. 6**