



US00D583331S

(12) **United States Design Patent**  
**Zhang et al.**

(10) **Patent No.:** **US D583,331 S**

(45) **Date of Patent:** **\*\* Dec. 23, 2008**

(54) **ELECTRICAL CONNECTOR**

(75) Inventors: **Ming Zhang**, Kunshan (CN);  
**Hong-Liang Wang**, Kunshan (CN);  
**Hong-Fang Wang**, Kunshan (CN)

(73) Assignee: **Hon Hai Precision Ind. Co., Ltd.**,  
Taipei Hsien (TW)

(\*\*) Term: **14 Years**

(21) Appl. No.: **29/307,763**

(22) Filed: **May 9, 2008**

(51) **LOC (8) Cl.** ..... **13-03**

(52) **U.S. Cl.** ..... **D13/147**

(58) **Field of Classification Search** ..... D13/146-147,  
D13/154, 184; 439/62, 260, 329, 395, 607-610  
See application file for complete search history.

(56) **References Cited**

**U.S. PATENT DOCUMENTS**

- D451,884 S \* 12/2001 Hisatomi et al. .... D13/147
- D497,598 S \* 10/2004 Kimura et al. .... D13/147
- D500,738 S \* 1/2005 Obikane et al. .... D13/147

- D506,442 S \* 6/2005 Obikane et al. .... D13/147
- D528,987 S \* 9/2006 Peng ..... D13/147
- D561,696 S \* 2/2008 Chen et al. .... D13/147
- D561,697 S \* 2/2008 Chen et al. .... D13/147
- D562,244 S \* 2/2008 Peng ..... D13/147

\* cited by examiner

*Primary Examiner*—Daniel D Bui

(74) *Attorney, Agent, or Firm*—Wei Te Chung

(57) **CLAIM**

The ornamental design for an electrical connector, as shown.

**DESCRIPTION**

FIG. 1 is a front side perspective view of an electrical connector showing our new design;

FIG. 2 is a front elevational view of FIG. 1;

FIG. 3 is a rear elevational view of FIG. 1;

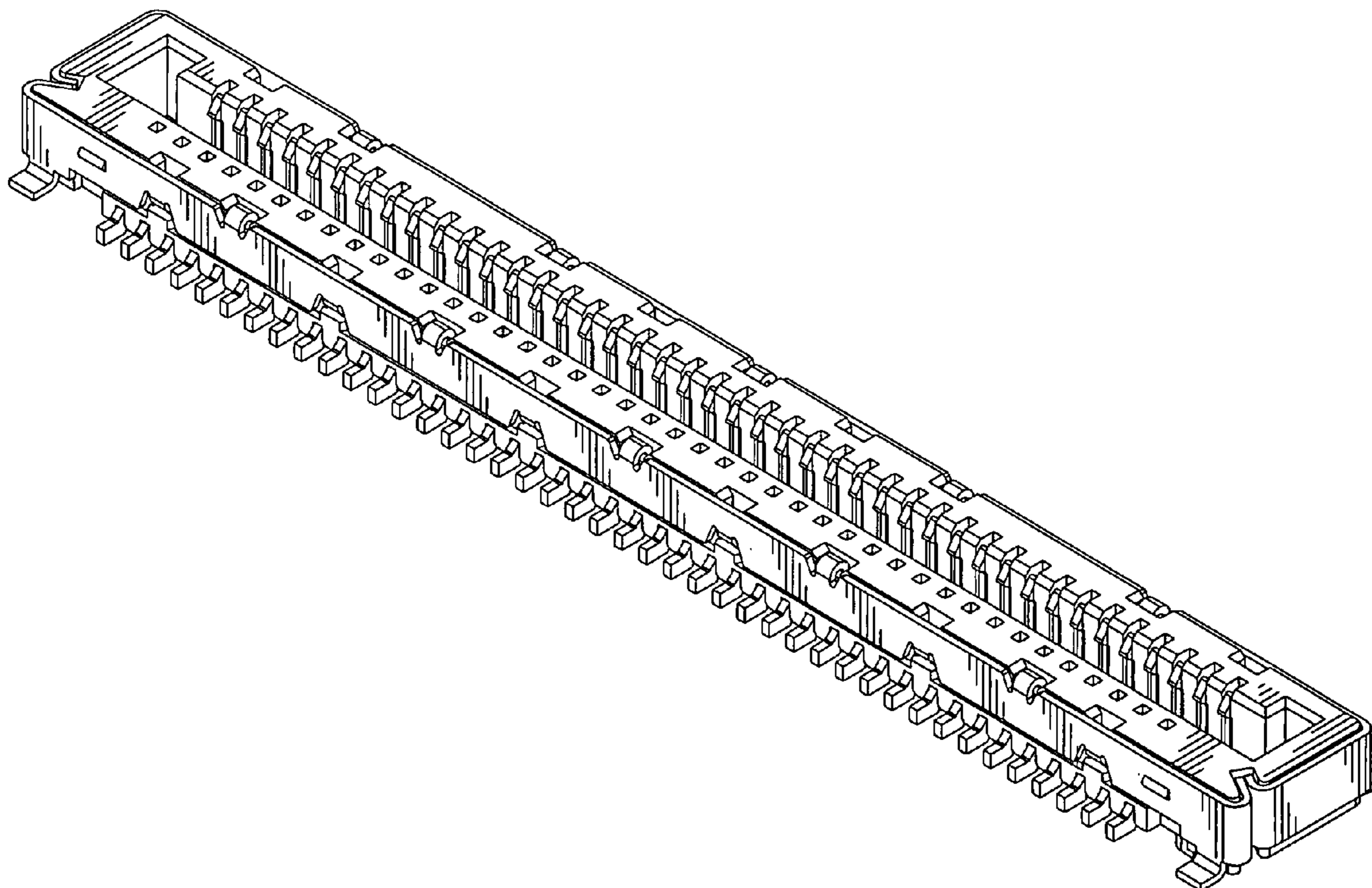
FIG. 4 is a left side elevational view of FIG. 1;

FIG. 5 is a right side elevational view of FIG. 1;

FIG. 6 is a top plan view of FIG. 1; and,

FIG. 7 is a bottom plan view of FIG. 1.

**1 Claim, 6 Drawing Sheets**



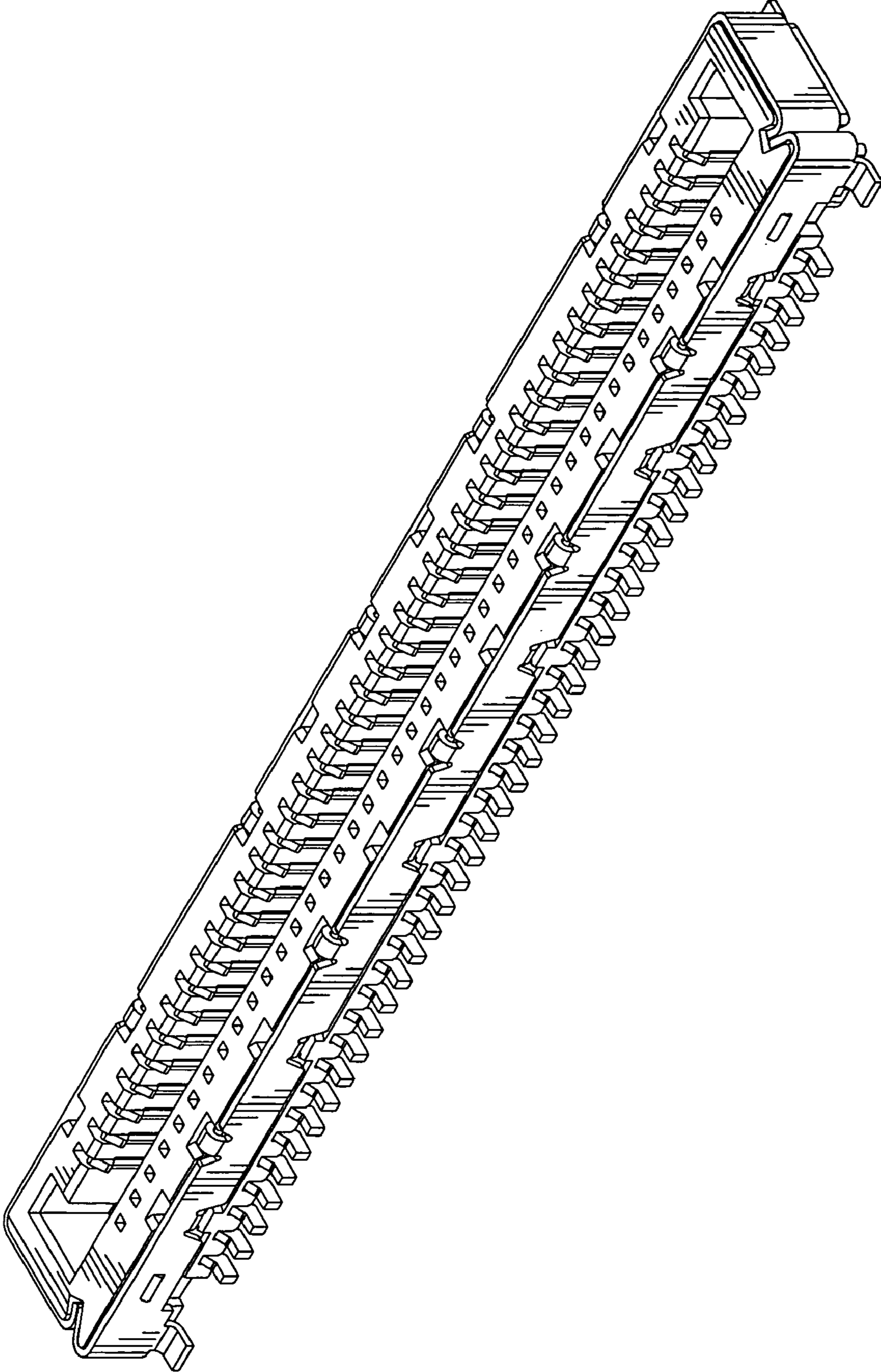


FIG. 1

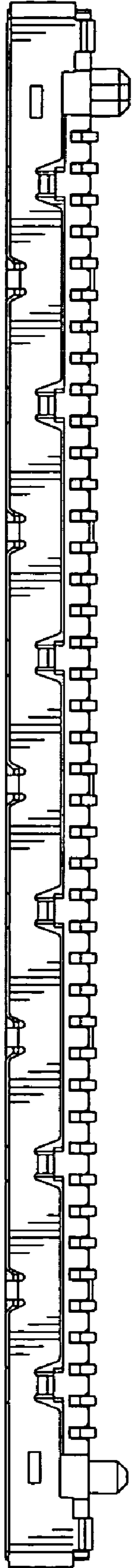


FIG. 2

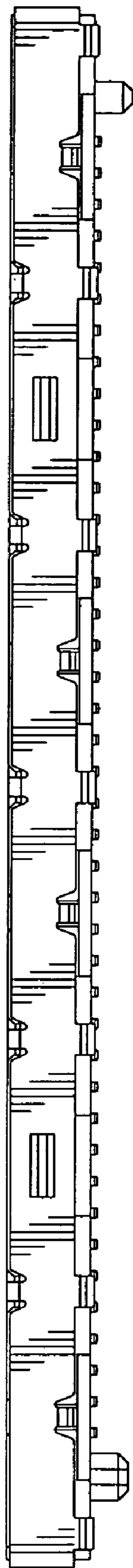


FIG. 3

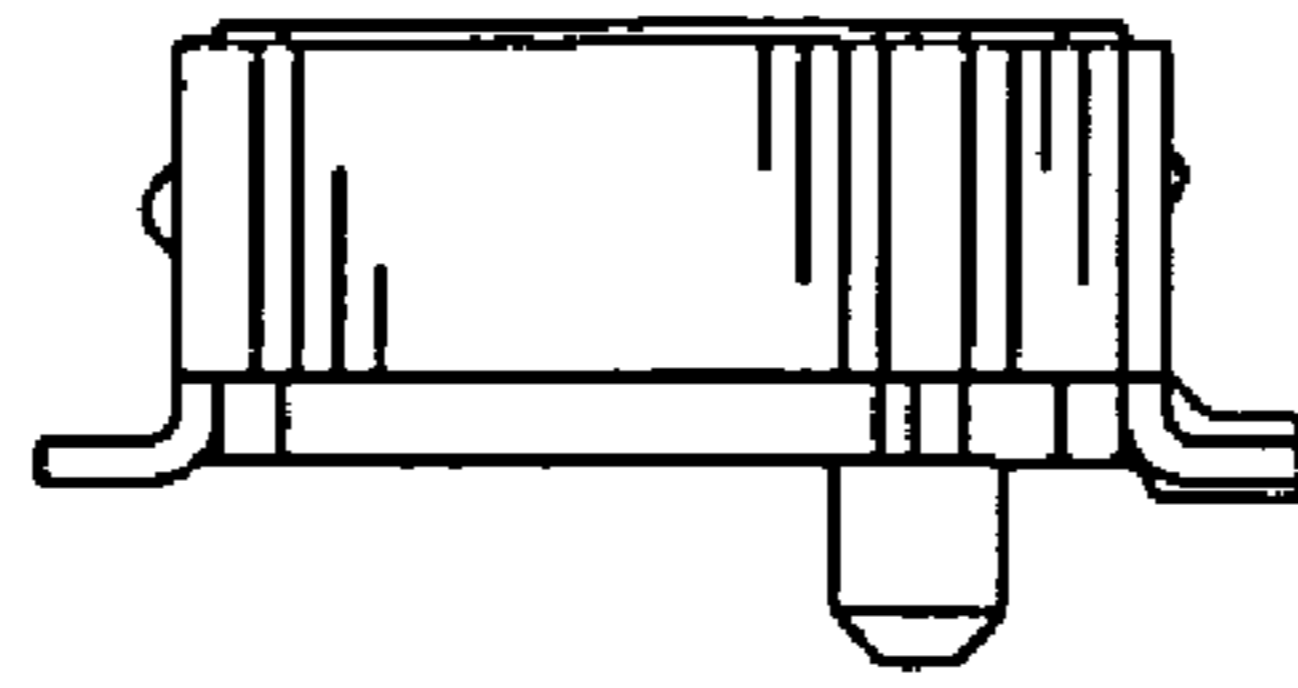


FIG. 4

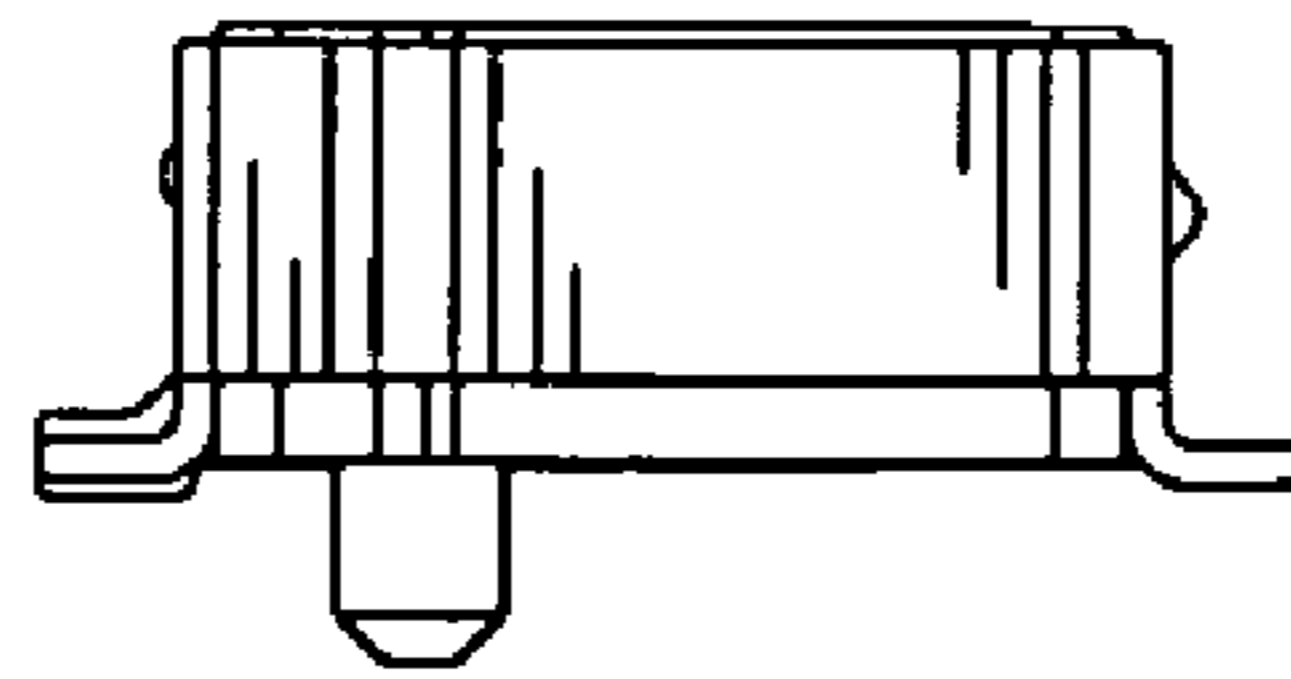


FIG. 5

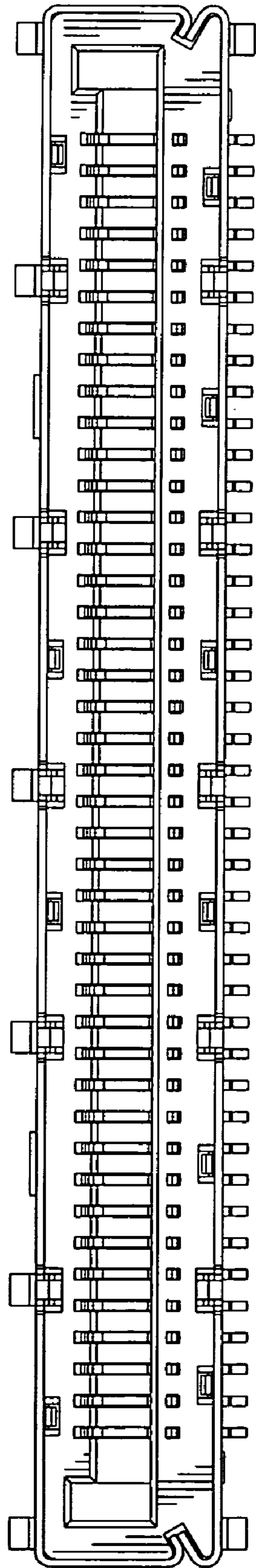


FIG. 6

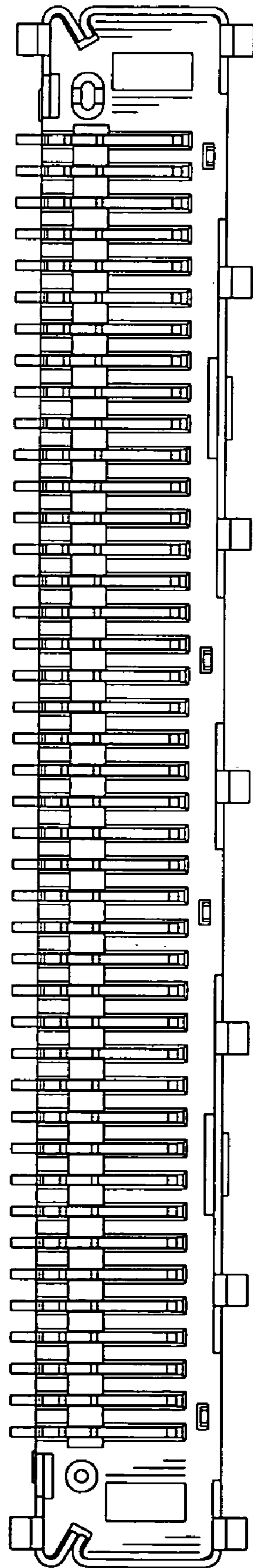


FIG. 7