



US00D583329S

(12) **United States Design Patent**  
**Chiang et al.**

(10) **Patent No.:** **US D583,329 S**

(45) **Date of Patent:** **\*\* Dec. 23, 2008**

(54) **RECEPTACLE CONNECTOR**

(75) Inventors: **Shu Man Chiang**, Tu-Cheng (TW);  
**Hsin Tsung Ho**, Tu-Cheng (TW)

(73) Assignee: **Cheng Uei Precision Industry Co., Ltd.**, Taipei Hsien (TW)

(\*\*) Term: **14 Years**

(21) Appl. No.: **29/300,635**

(22) Filed: **Apr. 22, 2008**

(51) **LOC (8) Cl.** ..... **13-03**

(52) **U.S. Cl.** ..... **D13/147**

(58) **Field of Classification Search** ..... D13/146-147,  
D13/154, 184; 439/79, 108, 607-610, 660,  
439/668, 680

See application file for complete search history.

(56) **References Cited**

U.S. PATENT DOCUMENTS

D301,870 S *	6/1989	Shibano	.....	D13/147
D375,723 S *	11/1996	Aramaki	.....	D13/147
D522,460 S *	6/2006	Chiang et al.	.....	D13/147
D522,969 S *	6/2006	Nishio et al.	.....	D13/147
D523,817 S *	6/2006	Nishio et al.	.....	D13/147
D524,747 S *	7/2006	Nishio et al.	.....	D13/147

\* cited by examiner

*Primary Examiner*—Daniel D Bui

(74) *Attorney, Agent, or Firm*—Rosenberg, Klein & Lee

(57) **CLAIM**

The ornamental design for a receptacle connector, as shown and described.

**DESCRIPTION**

FIG. 1 is a top, front and right side perspective view of a connector showing our new design;

FIG. 2 is a front elevational view thereof;

FIG. 3 is a rear elevational view thereof;

FIG. 4 is a left side elevational view thereof;

FIG. 5 is a right side elevational view thereof;

FIG. 6 is a top plan view thereof;

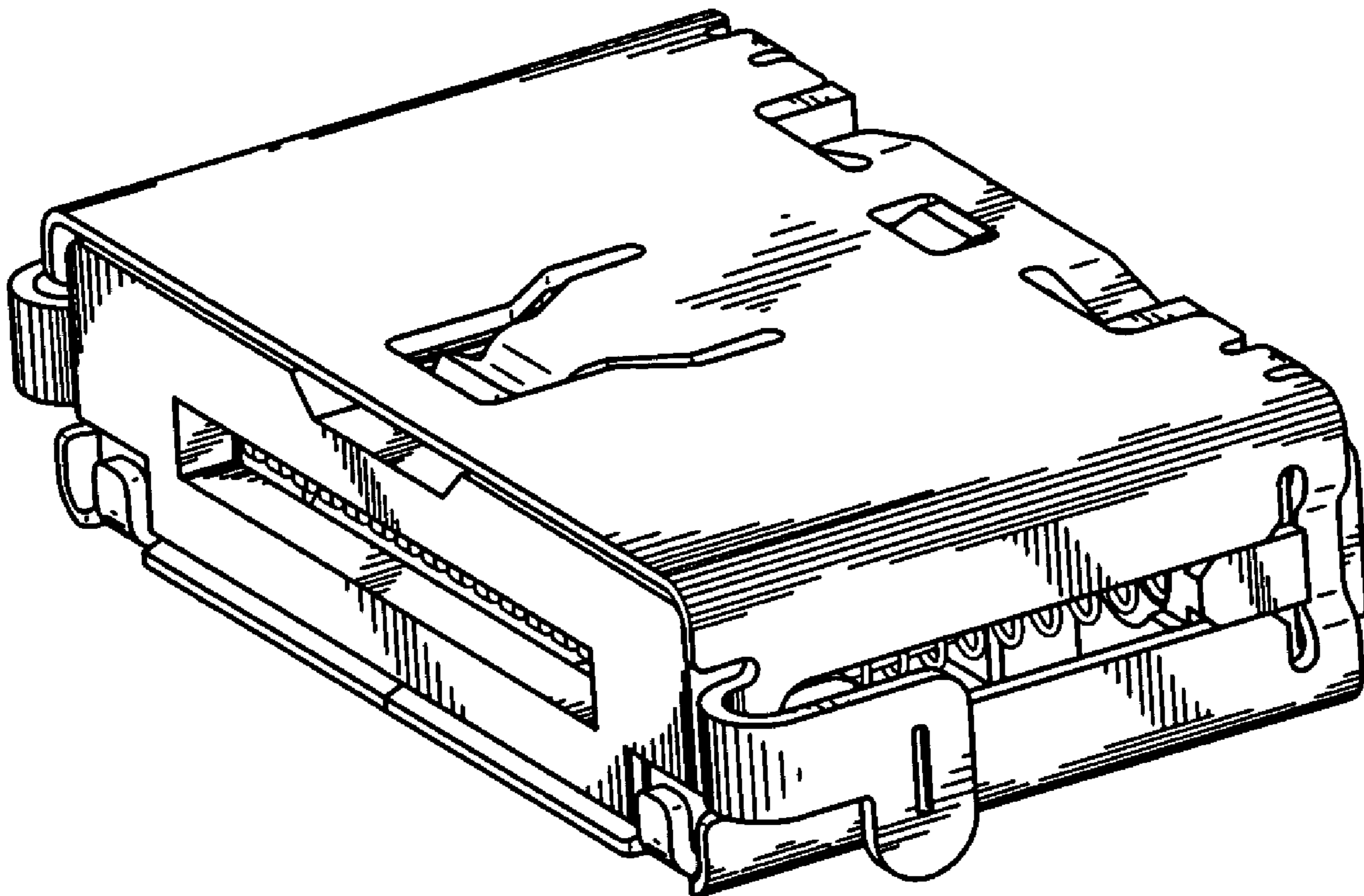
FIG. 7 is a bottom plan view thereof;

FIG. 8 is a bottom, rear and left side perspective view thereof; and,

FIG. 9 is a third perspective view of the receptacle connector.

The broken line portion in the figure drawings is included to show unclaimed subject matter only and forms no part of the claimed design.

**1 Claim, 9 Drawing Sheets**



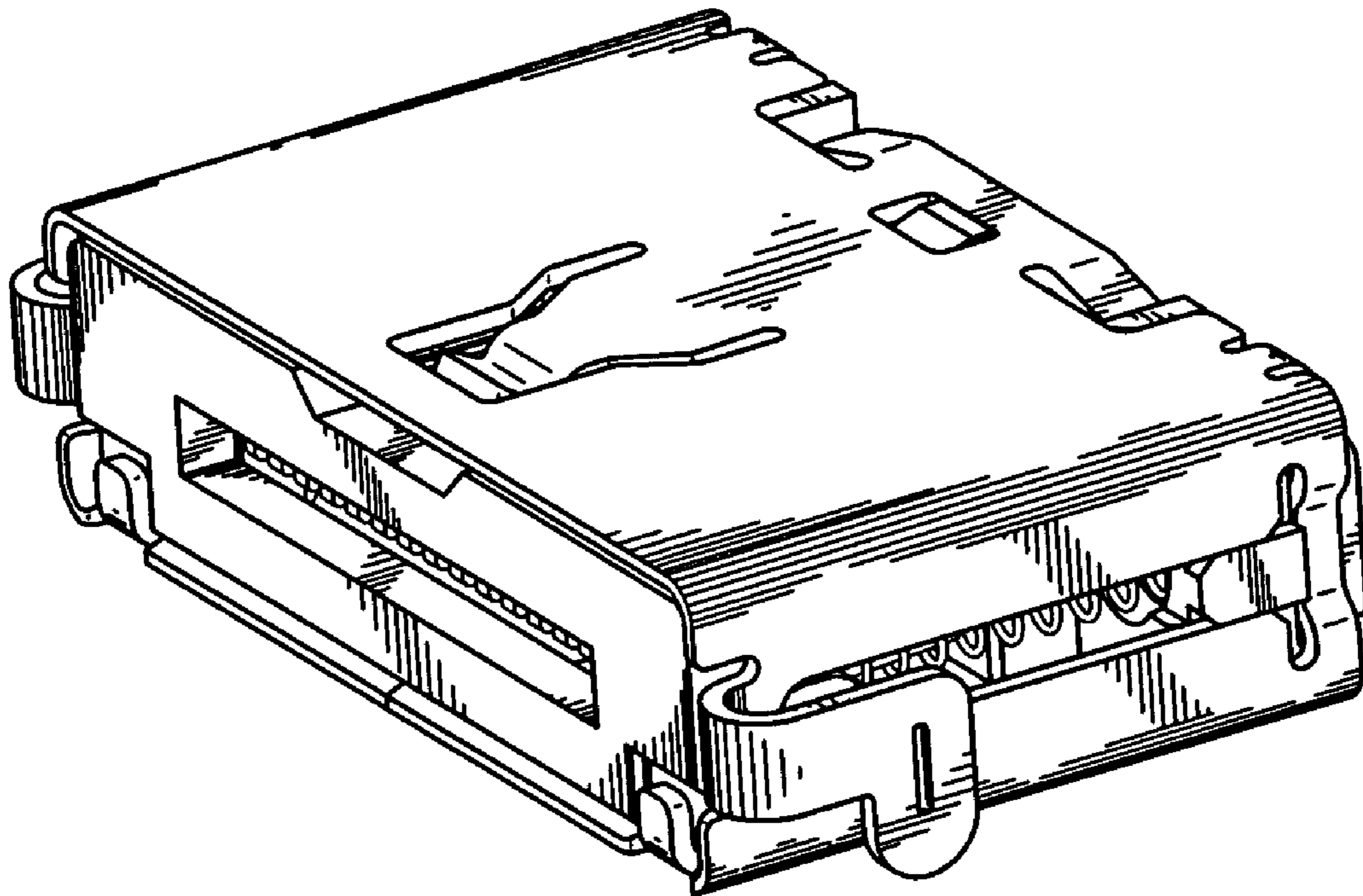


FIG. 1

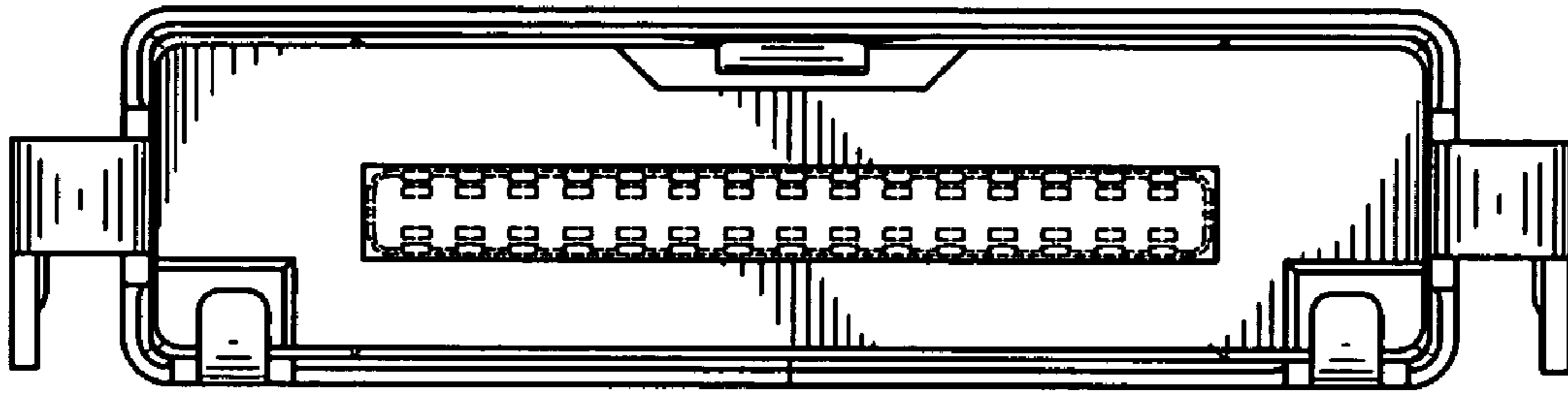


FIG. 2

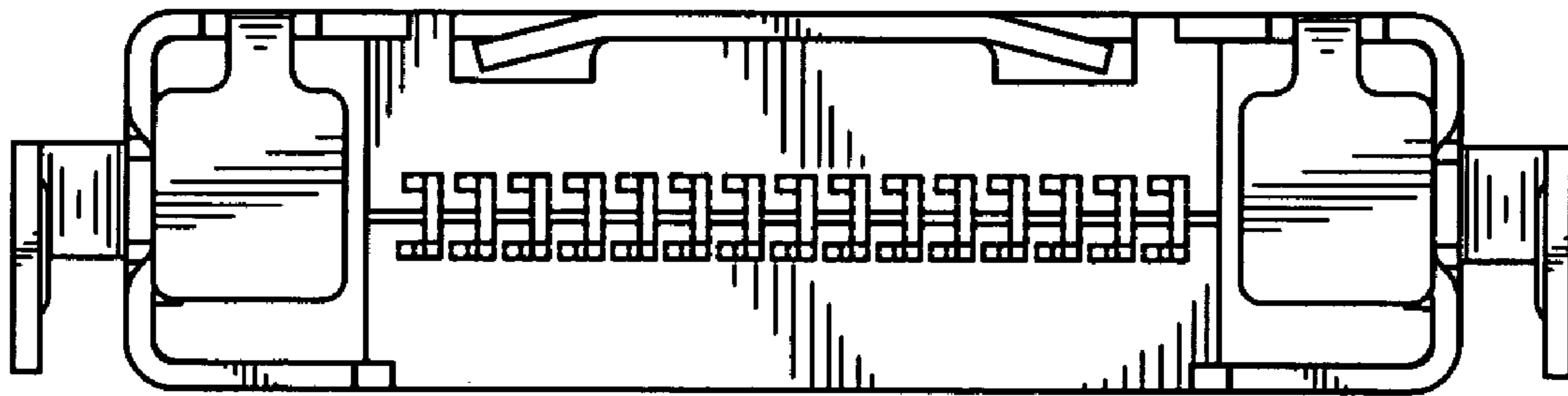


FIG. 3

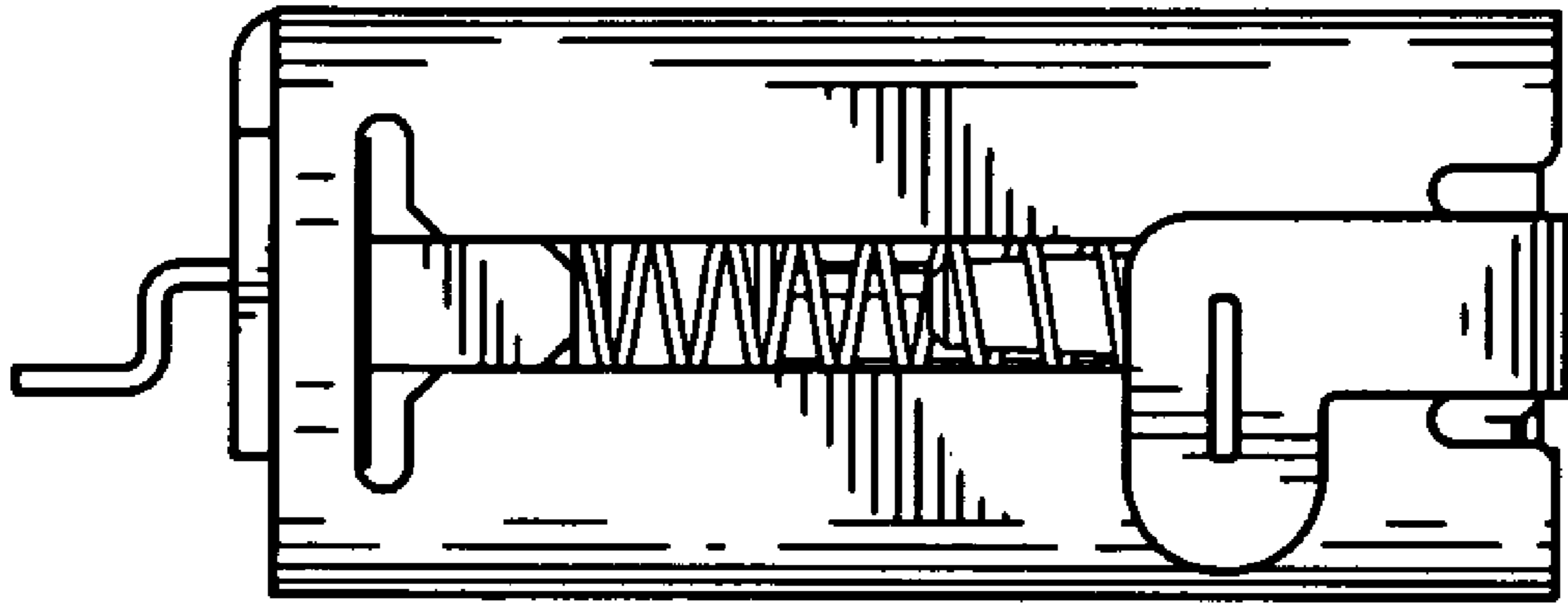


FIG. 4

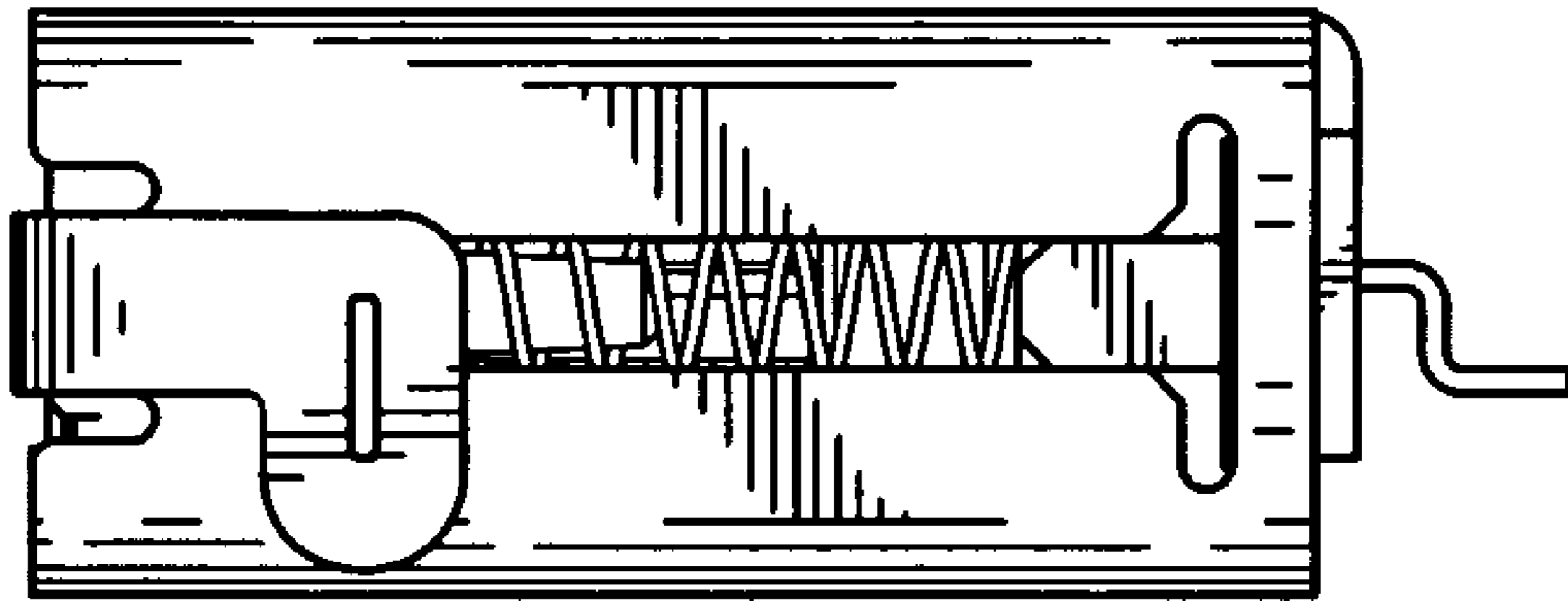


FIG. 5

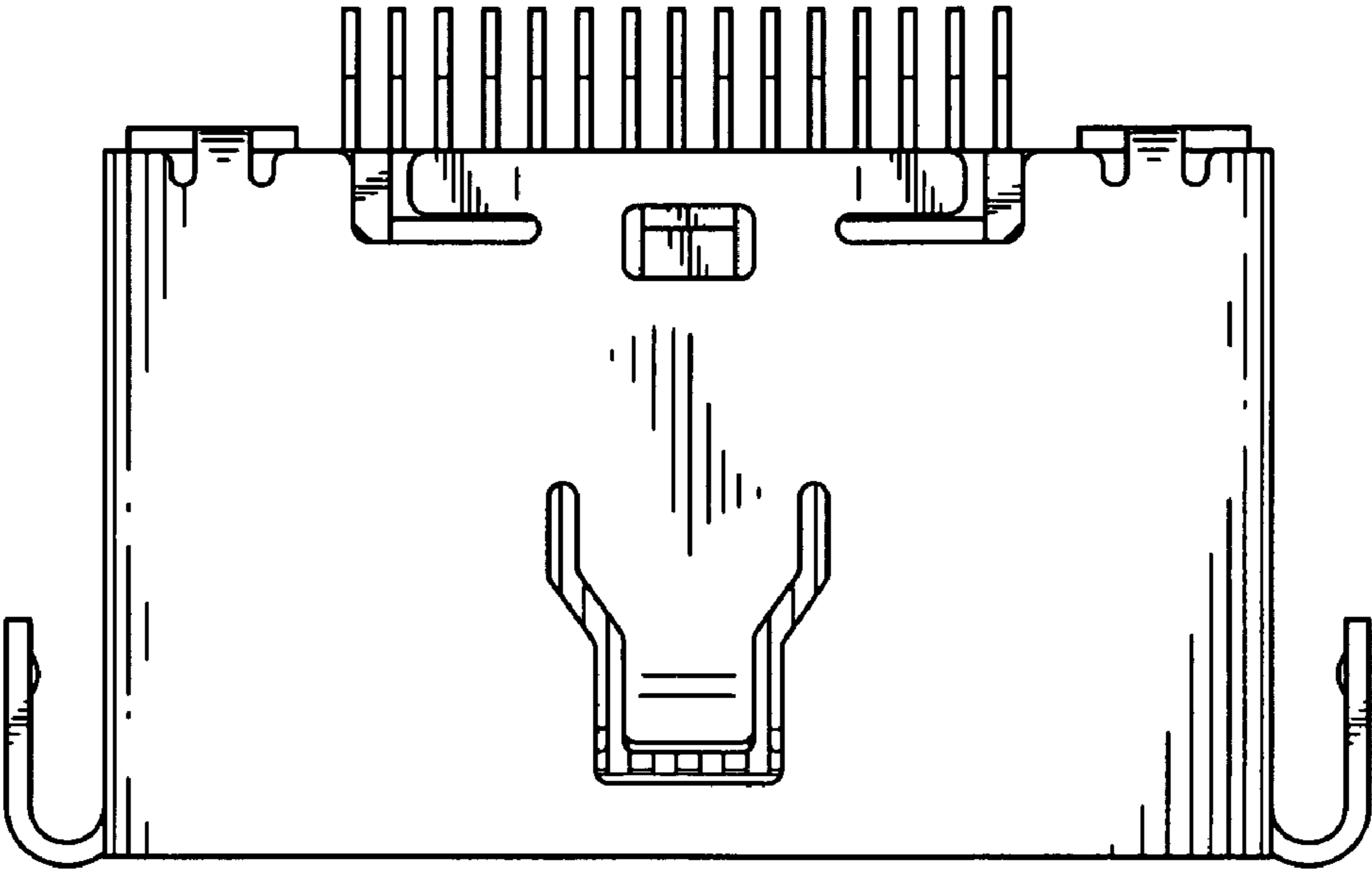


FIG. 6

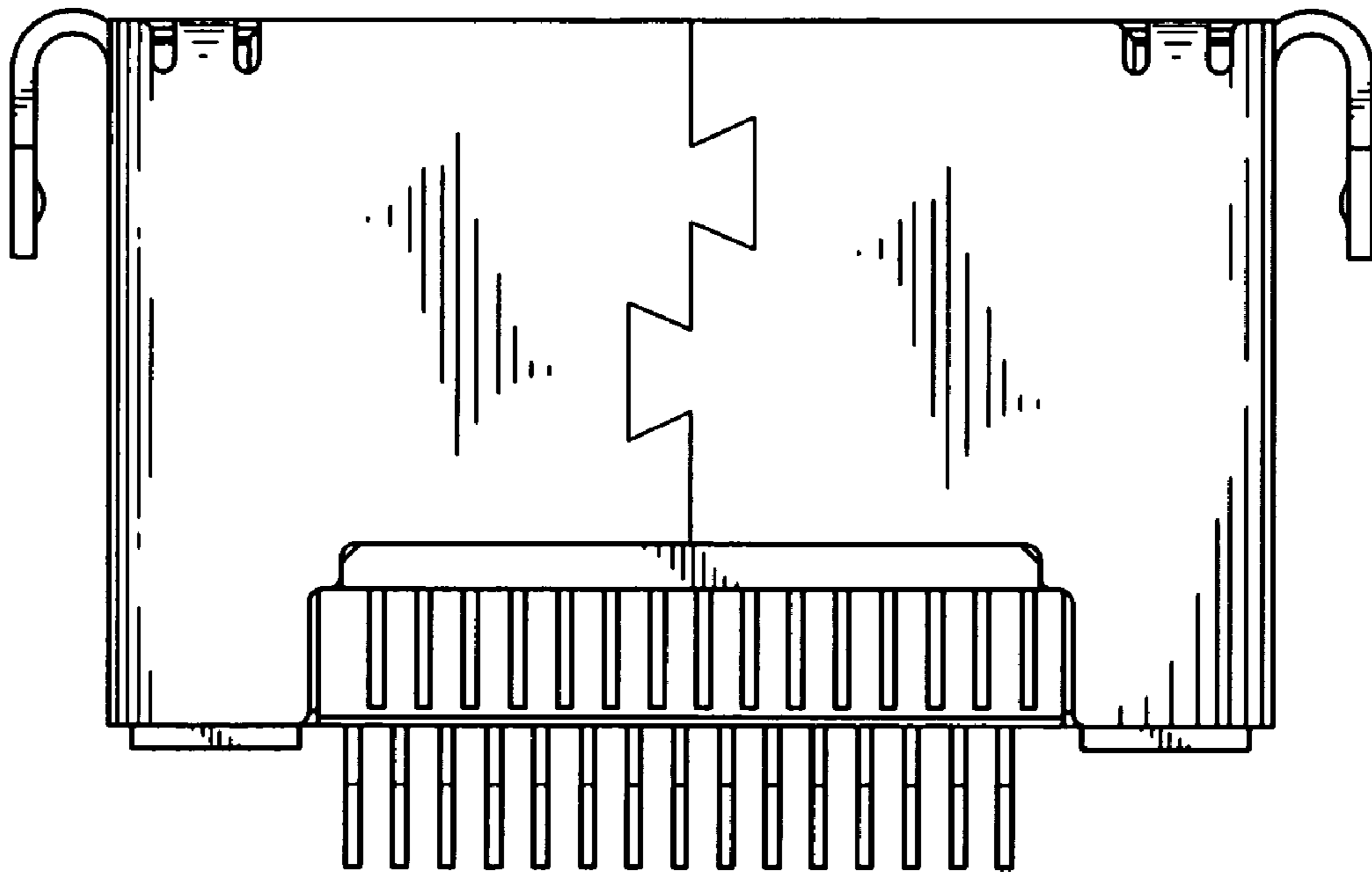


FIG. 7



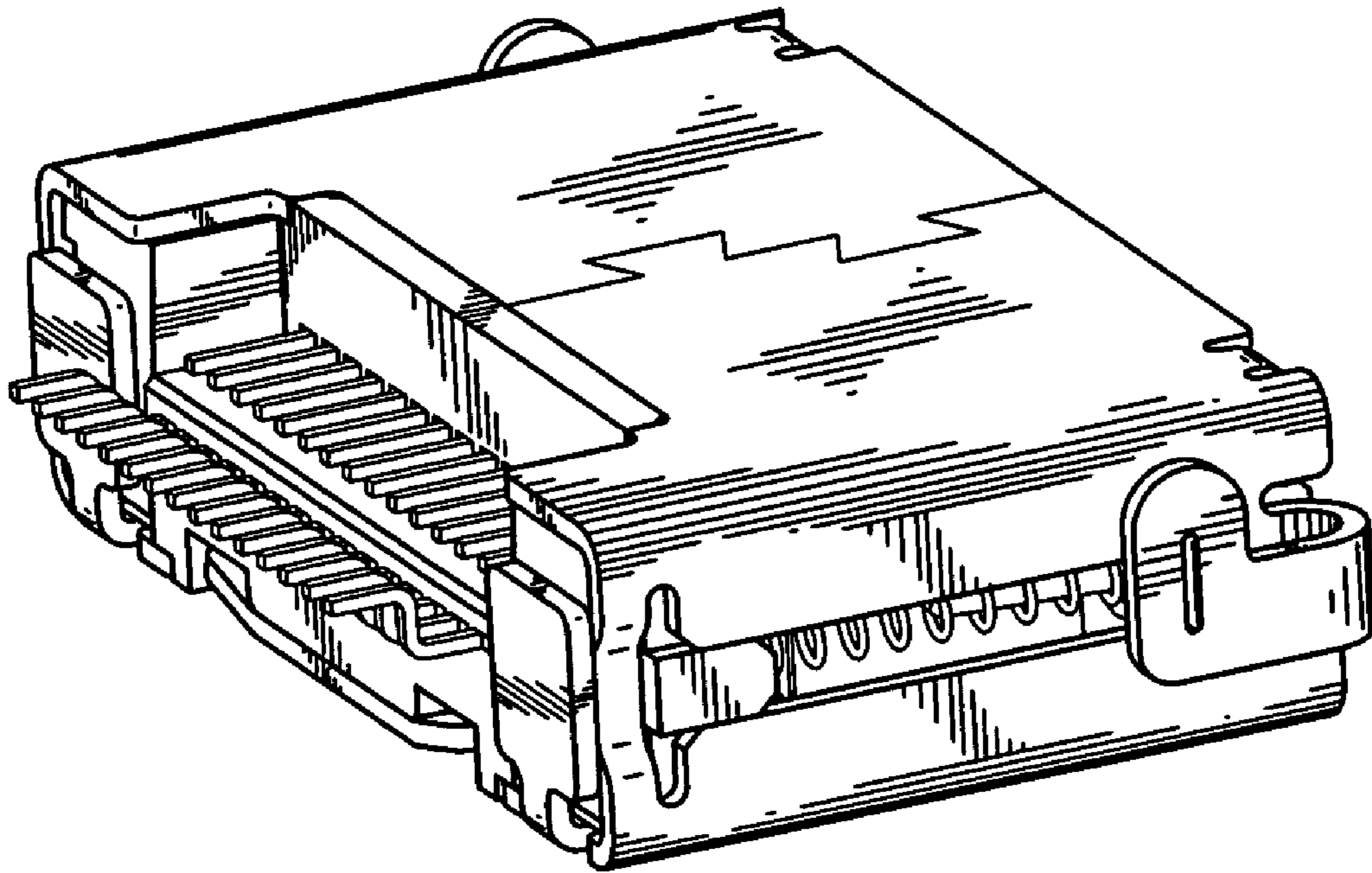


FIG. 8

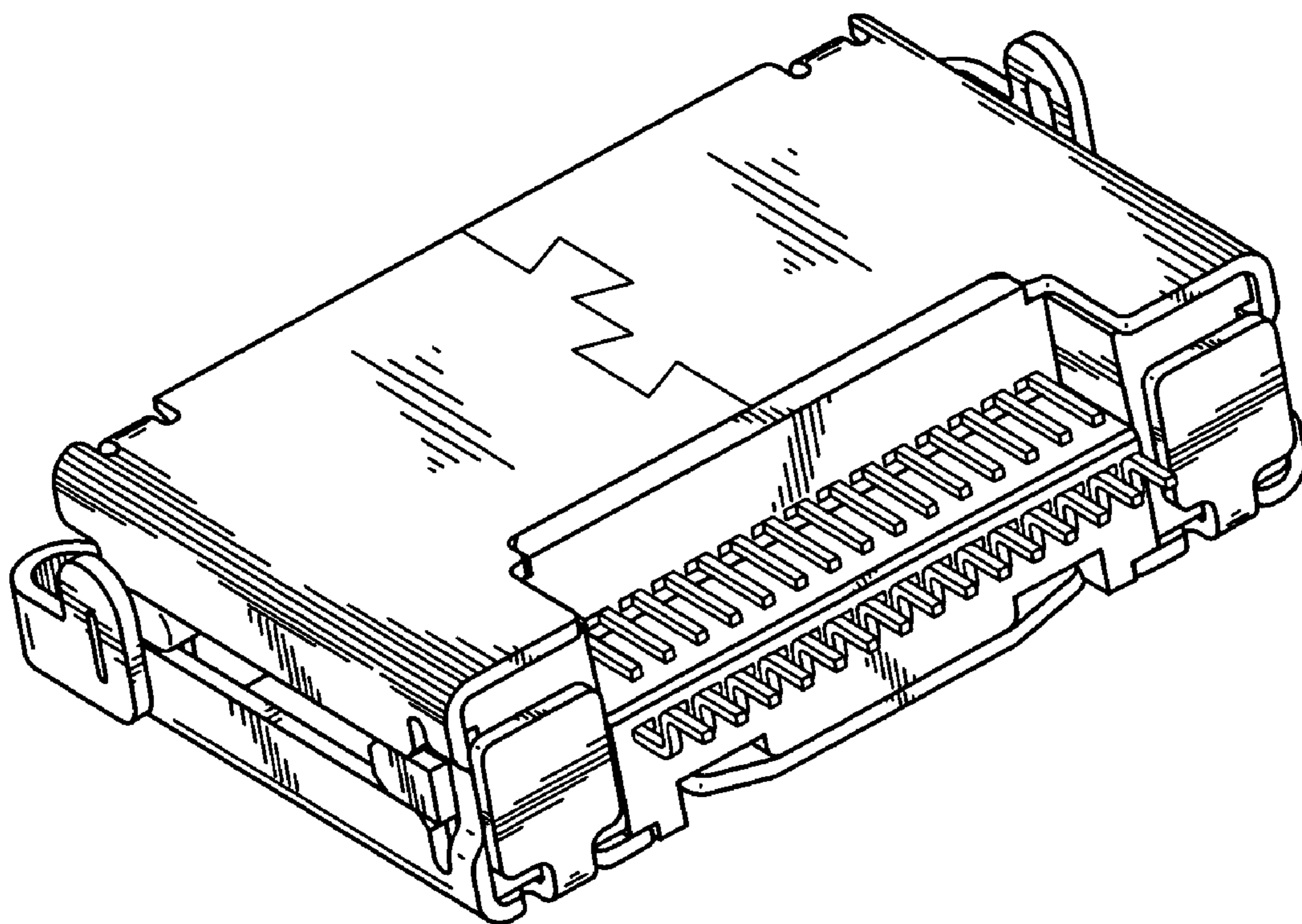


FIG. 9