



US00D583325S

(12) **United States Design Patent**
Zhu

(10) **Patent No.:** **US D583,325 S**
(45) **Date of Patent:** **** Dec. 23, 2008**

(54) **ELECTRICAL CONNECTOR**

(75) Inventor: **Yu Zhu**, ShenZhen (CN)

(73) Assignee: **Hon Hai Precision Ind. Co., Ltd.**,
Taipei Hsien (TW)

(**) Term: **14 Years**

(21) Appl. No.: **29/294,495**

(22) Filed: **Jan. 14, 2008**

(51) **LOC (8) Cl.** **13-03**

(52) **U.S. Cl.** **D13/147**

(58) **Field of Classification Search** D13/146-147,
D13/154, 184; 439/260, 296, 329, 345, 378,
439/395, 422, 492-499

See application file for complete search history.

(56) **References Cited**

U.S. PATENT DOCUMENTS

D351,136 S *	10/1994	Kurata	D13/147
D456,777 S *	5/2002	Igarashi	D13/147
D456,779 S *	5/2002	Igarashi	D13/147
D457,138 S *	5/2002	Igarashi	D13/147

D482,001 S *	11/2003	Hisamatsu et al.	D13/147
D489,335 S *	5/2004	Ko	D13/147
D496,334 S *	9/2004	Ko	D13/147
2006/0264103 A1 *	11/2006	Wei	439/607

* cited by examiner

Primary Examiner—Daniel D Bui

(74) *Attorney, Agent, or Firm*—Wei Te Chung

(57) **CLAIM**

The ornamental design for an electrical connector, as shown.

DESCRIPTION

FIG. 1 is a front, top and right side perspective view of an electrical connector showing my new design;

FIG. 2 is a front elevational view thereof;

FIG. 3 is a rear elevational view thereof;

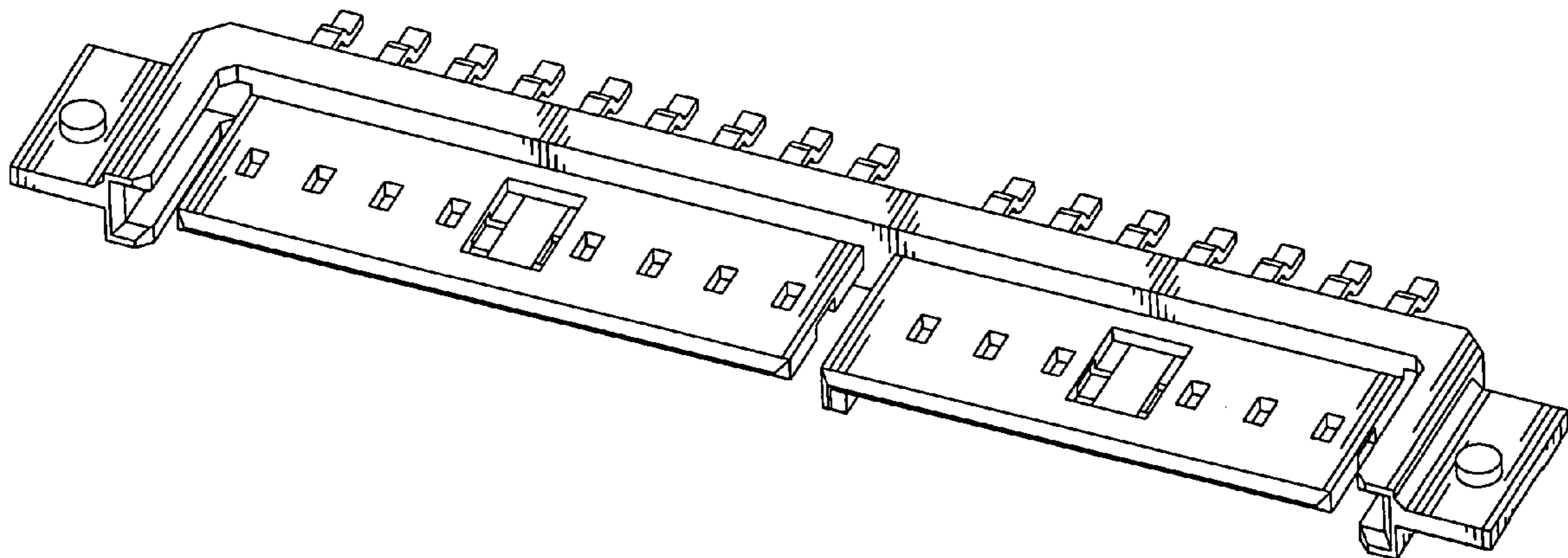
FIG. 4 is a left side elevational view thereof;

FIG. 5 is a right side elevational view thereof;

FIG. 6 is a top plan view thereof; and,

FIG. 7 is a bottom plan view thereof.

1 Claim, 6 Drawing Sheets



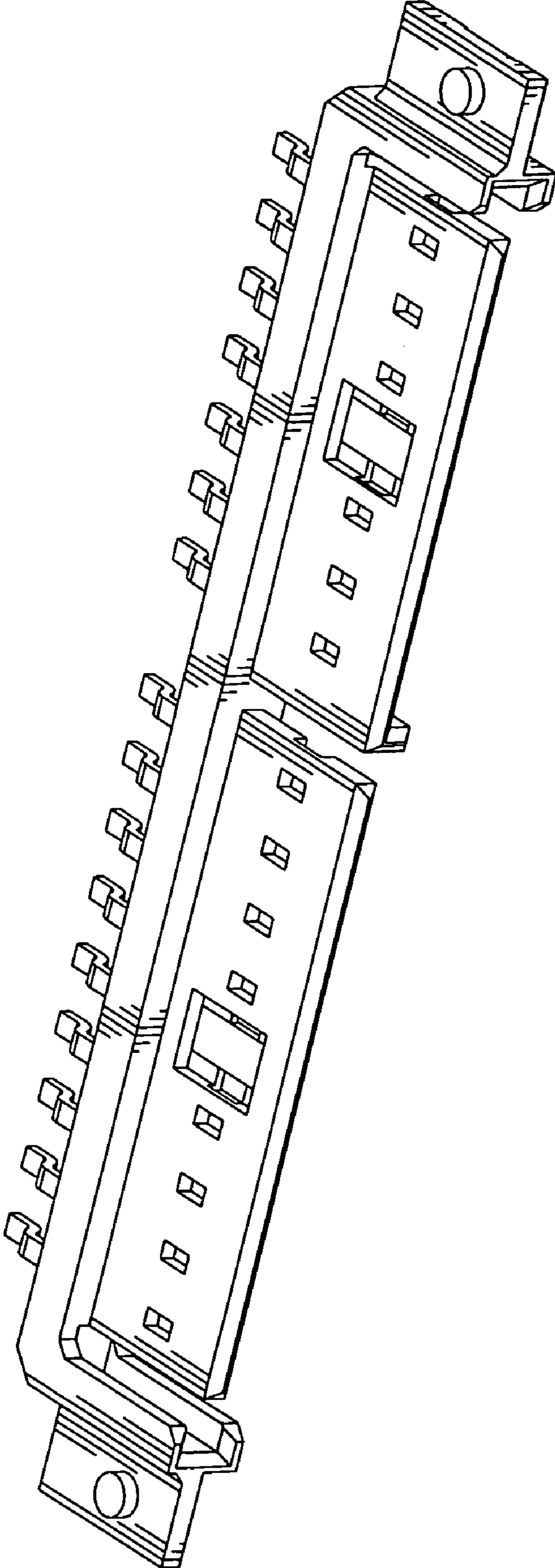


FIG. 1

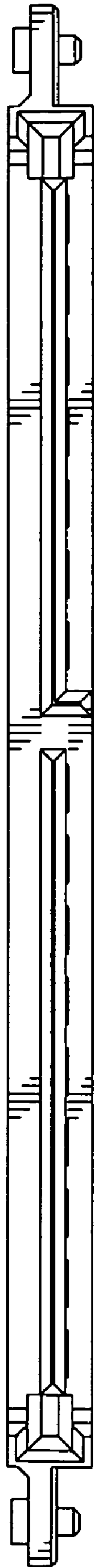


FIG. 2

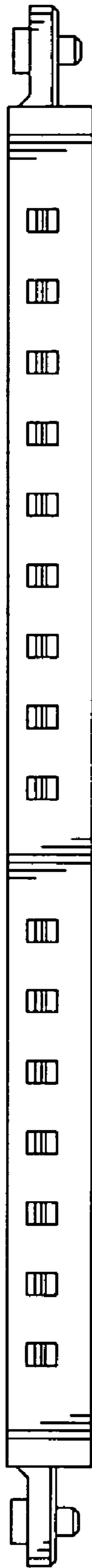


FIG. 3

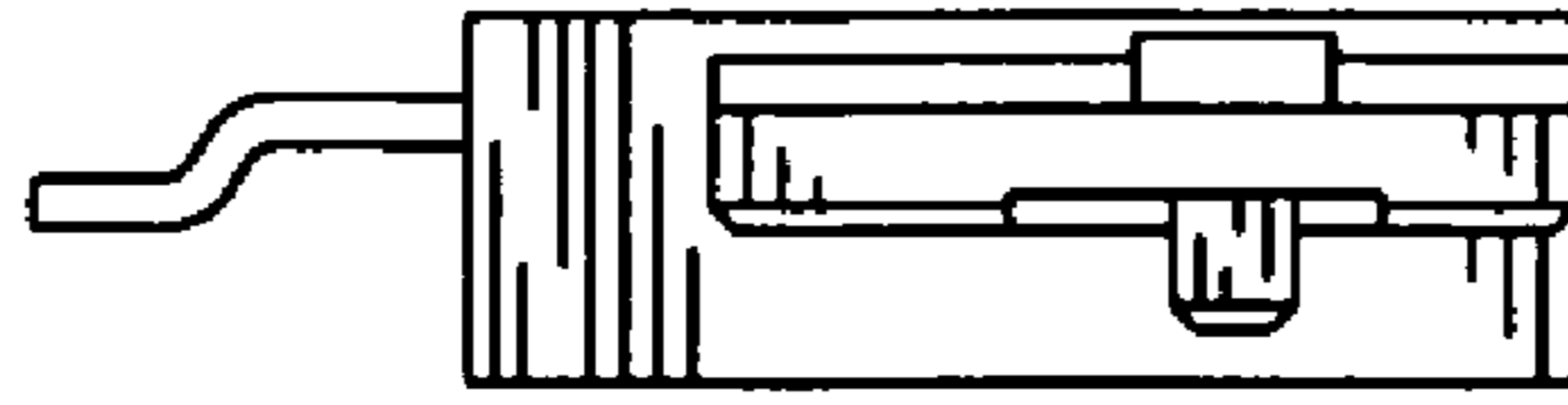


FIG. 4

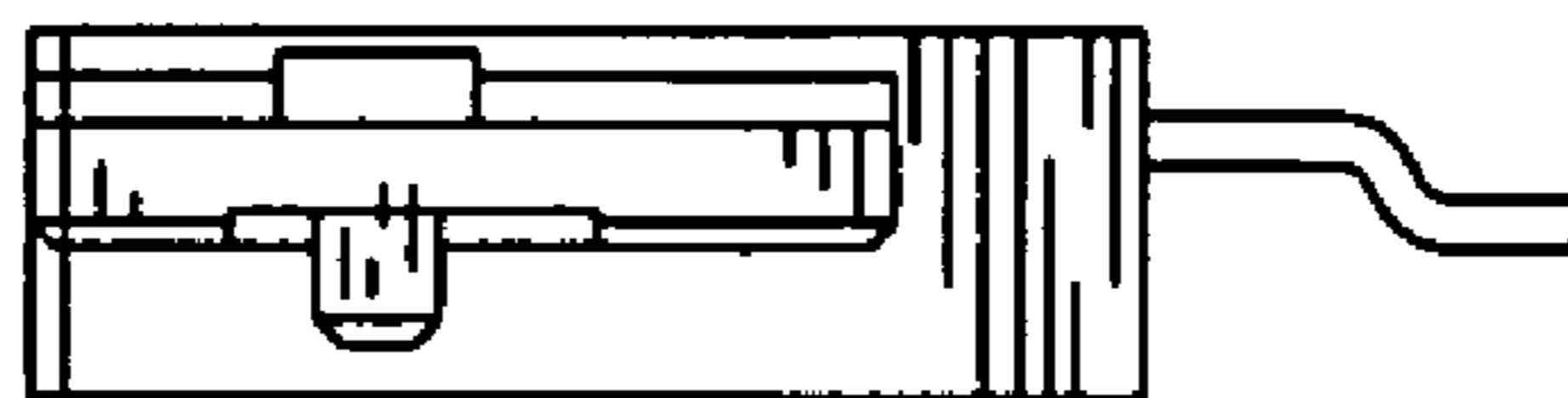


FIG. 5

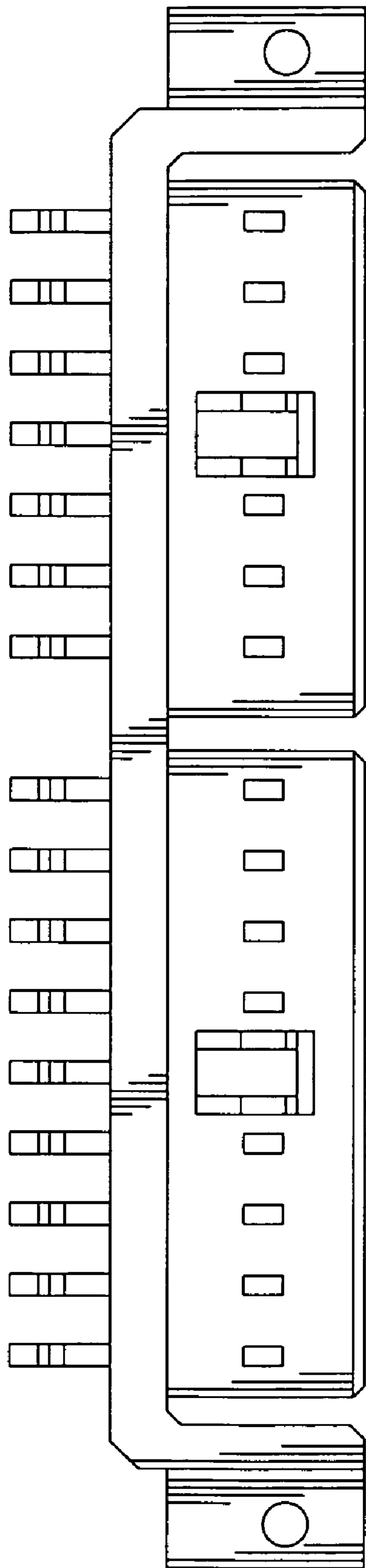


FIG. 6

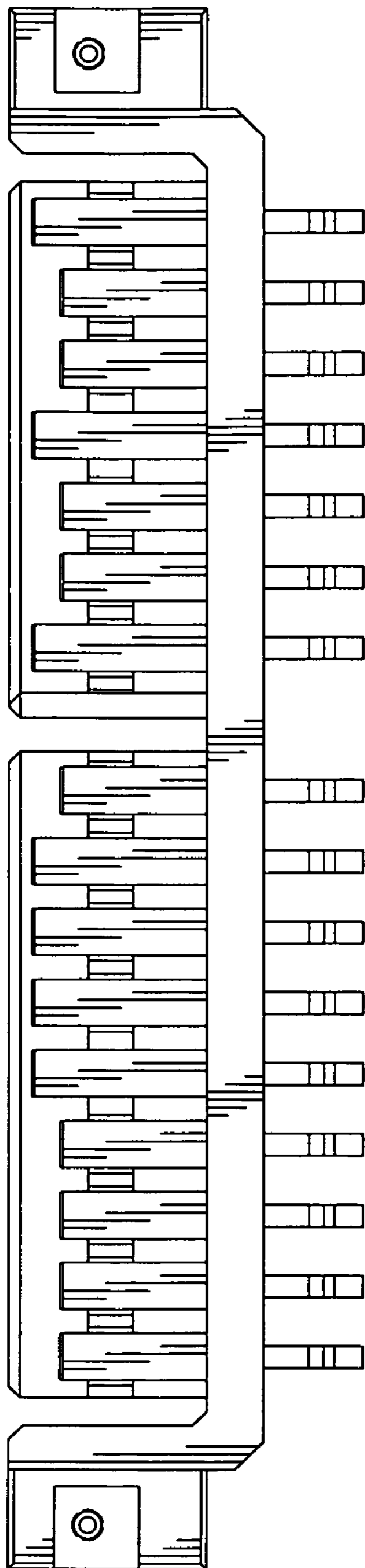


FIG. 7