



US00D583319S

(12) **United States Design Patent**  
**Ishikawa et al.**

(10) **Patent No.:** **US D583,319 S**  
(45) **Date of Patent:** **\*\* Dec. 23, 2008**

(54) **OPTICAL ACTIVE CONNECTOR**

(75) Inventors: **Yoshihiro Ishikawa**, Tama (JP);  
**Shinichi Asano**, Tama (JP)

(73) Assignee: **Mitsumi Electric Co., Ltd**, Tokyo (JP)

(\*\*) Term: **14 Years**

(21) Appl. No.: **29/271,381**

(22) Filed: **Jan. 18, 2007**

(30) **Foreign Application Priority Data**

Jul. 27, 2006 (JP) ..... 2006-019796

(51) **LOC (8) Cl.** ..... **13-03**

(52) **U.S. Cl.** ..... **D13/133; D13/123**

(58) **Field of Classification Search** ..... D13/123,  
D13/133, 146, 147, 154, 184, 199; 439/63,  
439/108, 352, 357, 358, 608, 731; 361/728,  
361/754, 759; 385/88, 89, 92, 385

See application file for complete search history.

(56) **References Cited**

**U.S. PATENT DOCUMENTS**

D467,544 S \* 12/2002 Hwang ..... D13/123  
D475,970 S \* 6/2003 Li et al. .... D13/133  
D478,548 S \* 8/2003 Wu ..... D13/133  
D478,868 S \* 8/2003 Zarembo ..... D13/123  
D485,238 S \* 1/2004 Hwang et al. .... D13/123  
D496,631 S \* 9/2004 Wu ..... D13/133

D520,449 S \* 5/2006 Shiraiishi et al. .... D13/133  
D524,735 S \* 7/2006 Hung et al. .... D13/123  
D556,130 S \* 11/2007 Tajima et al. .... D13/119

\* cited by examiner

*Primary Examiner*—Daniel D Bui

*Assistant Examiner*—Thomas J Johannes

(74) *Attorney, Agent, or Firm*—Sughrue Mion, PLLC

(57) **CLAIM**

The ornamental design for a optical active connector, as shown and described.

**DESCRIPTION**

FIG. 1 is a perspective view of the top, front and left side of an optical active connector showing our new design;

FIG. 2 is a perspective view of the bottom, front and right side thereof;

FIG. 3 is a front elevational view thereof;

FIG. 4 is a rear elevational view thereof;

FIG. 5 is a top plan view thereof;

FIG. 6 is a bottom plan view thereof;

FIG. 7 is a left side elevational view thereof; and,

FIG. 8 is a right side elevational view thereof.

The broken lines shown in the drawing are for illustrative purposes only and form no part of the claimed design.

**1 Claim, 5 Drawing Sheets**

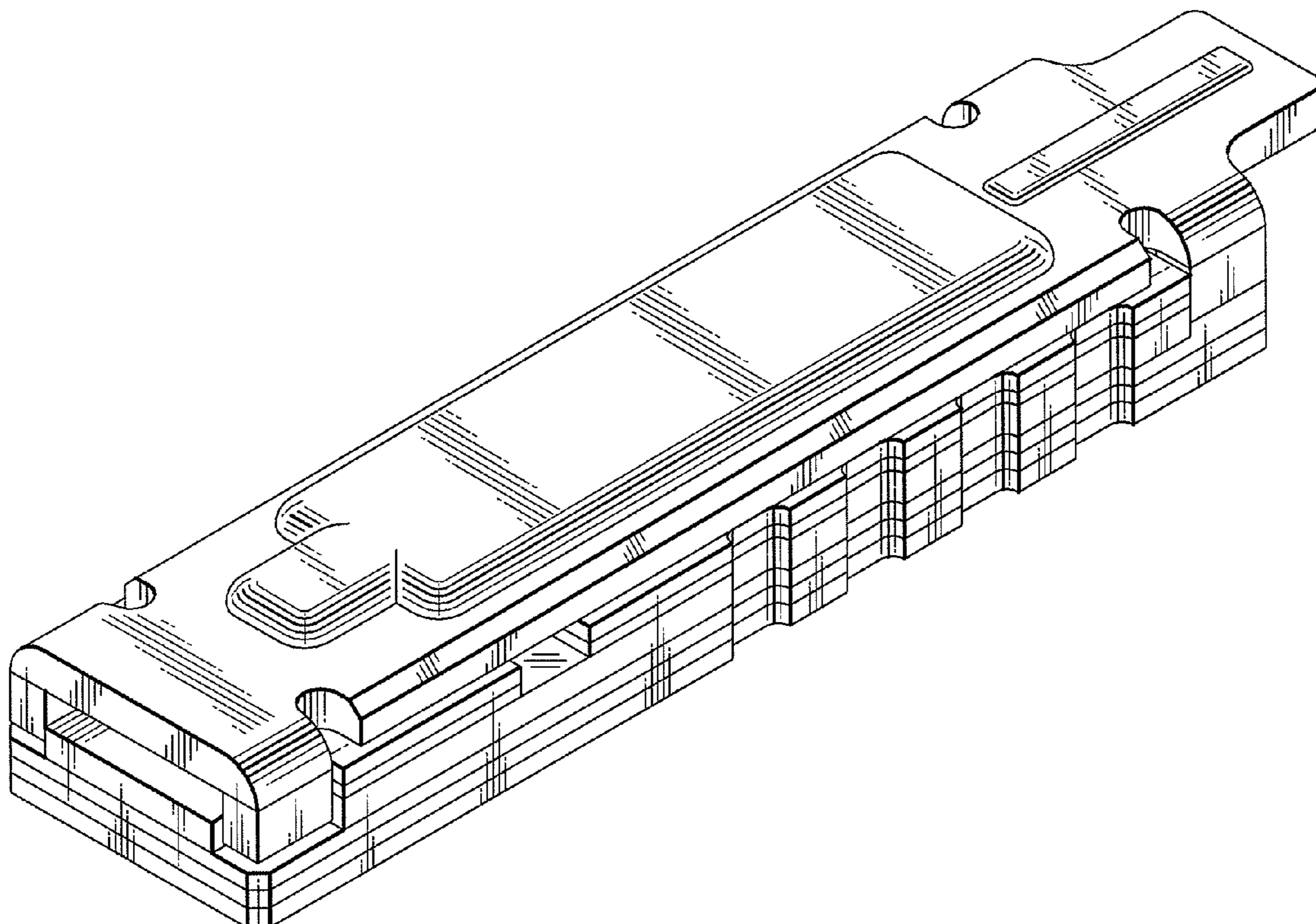


FIG.1

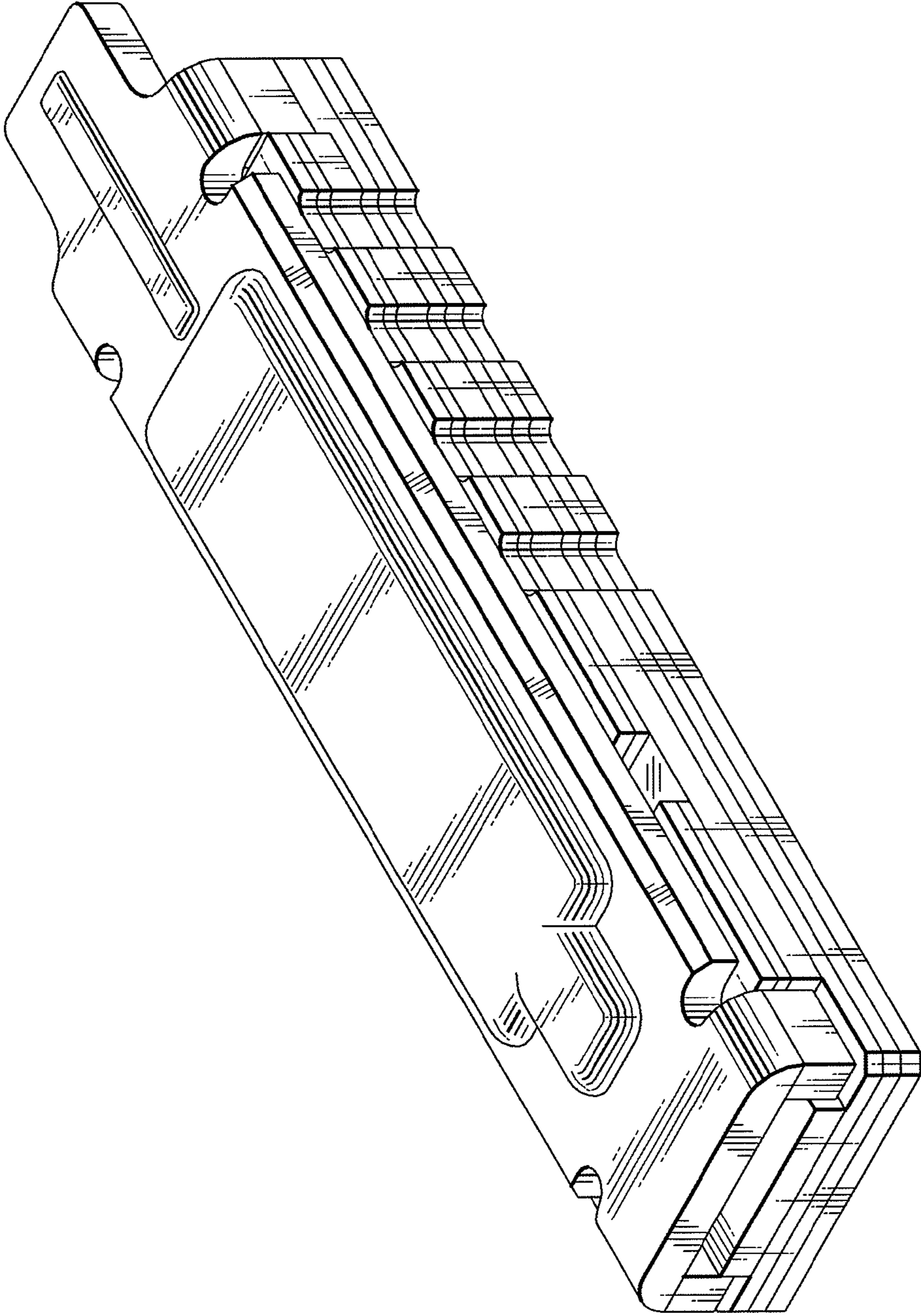


FIG.2

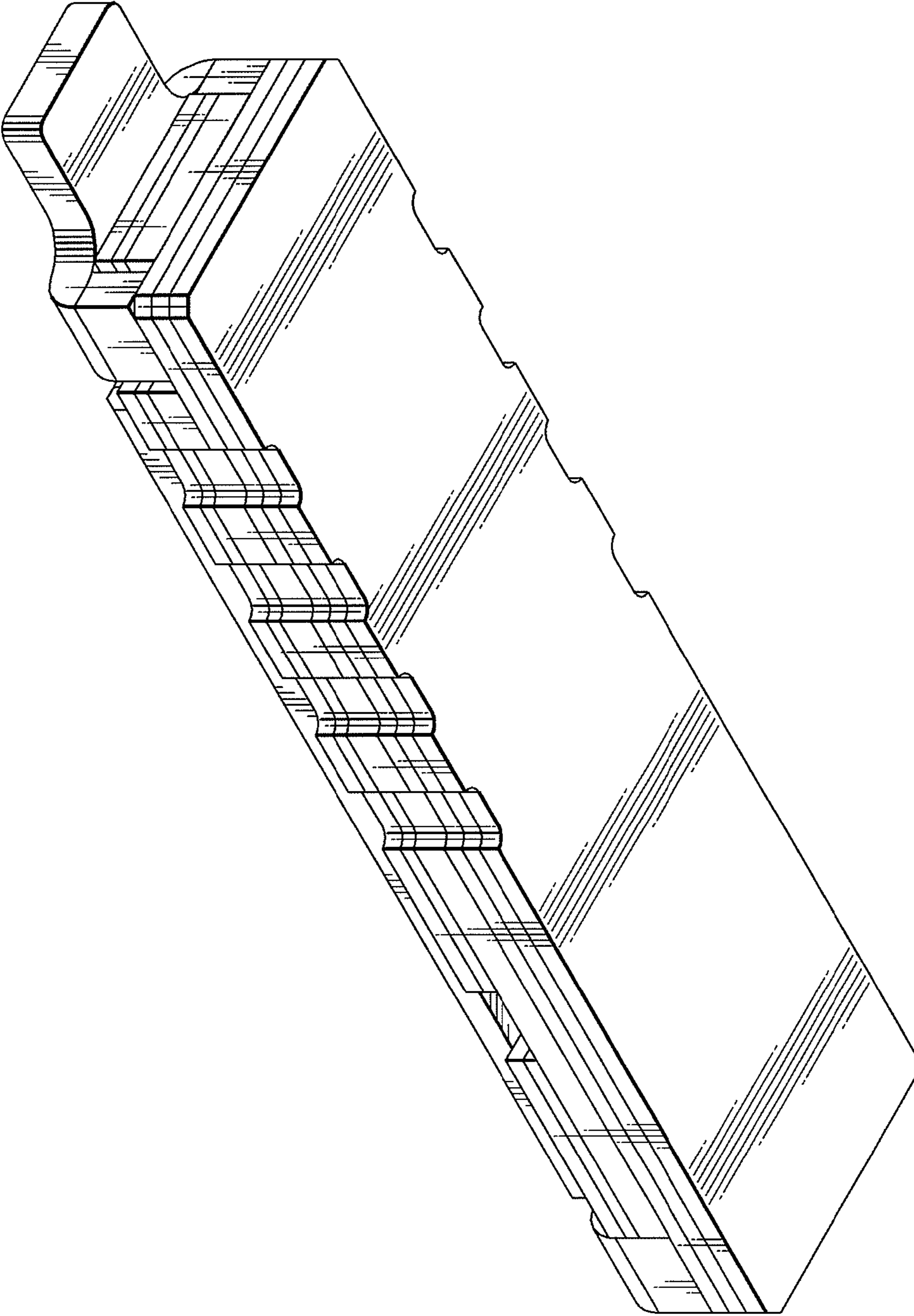


FIG.3

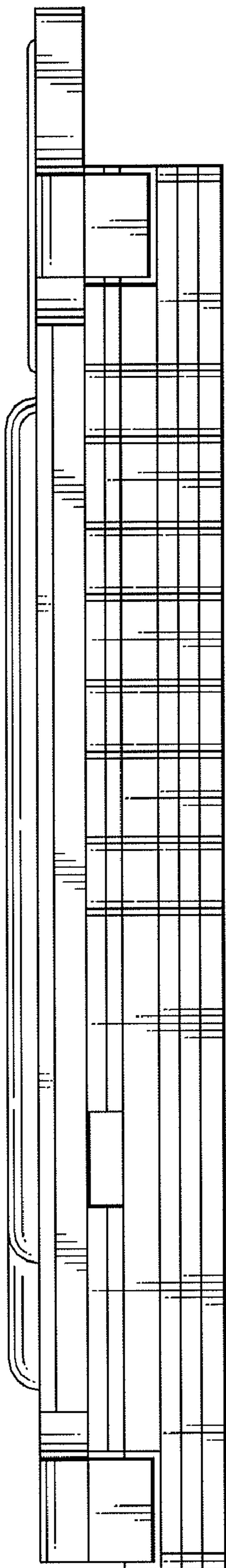


FIG.4

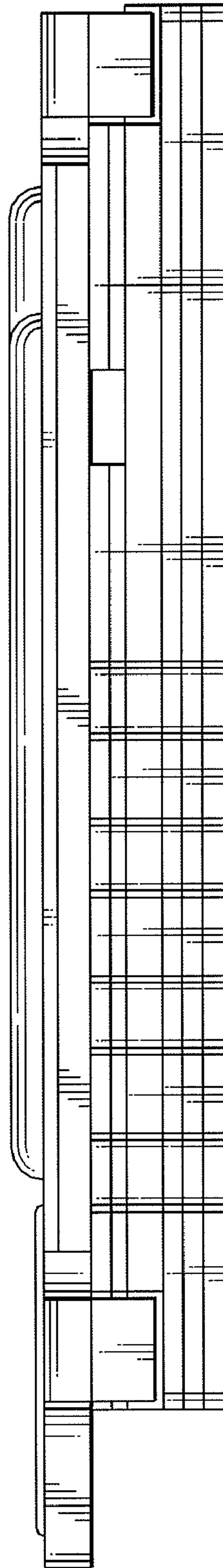


FIG.5

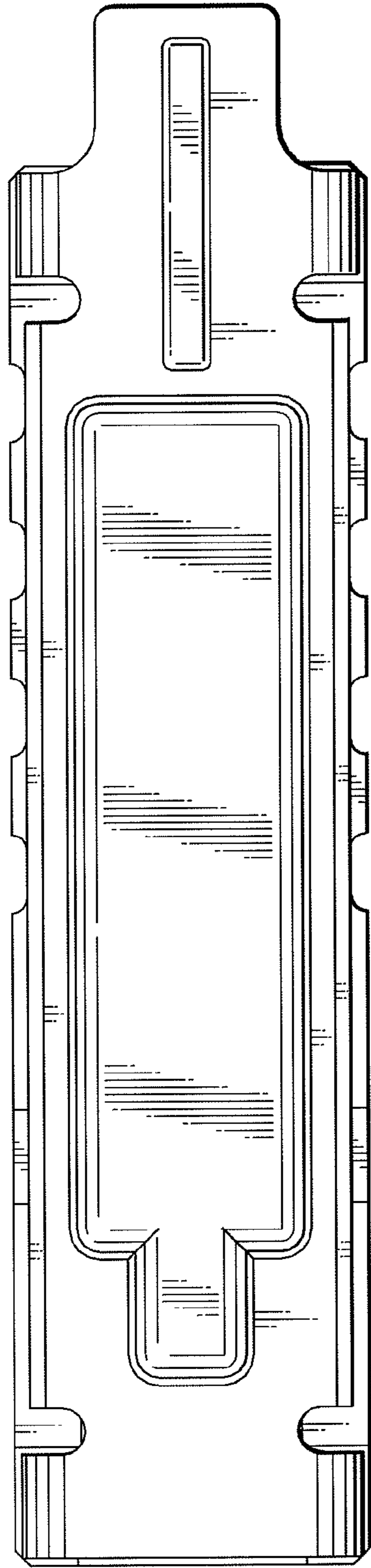


FIG.6

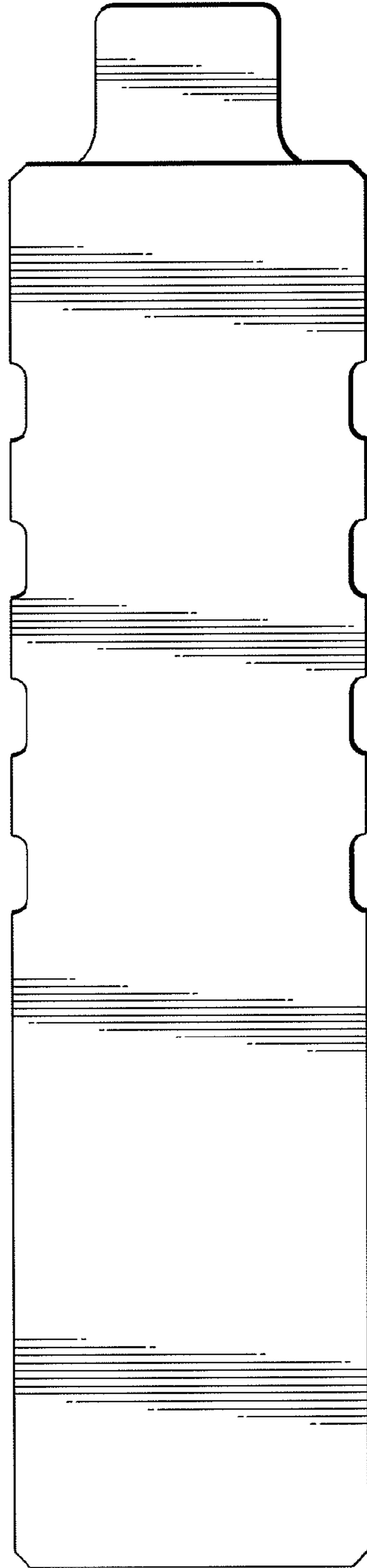


FIG.8

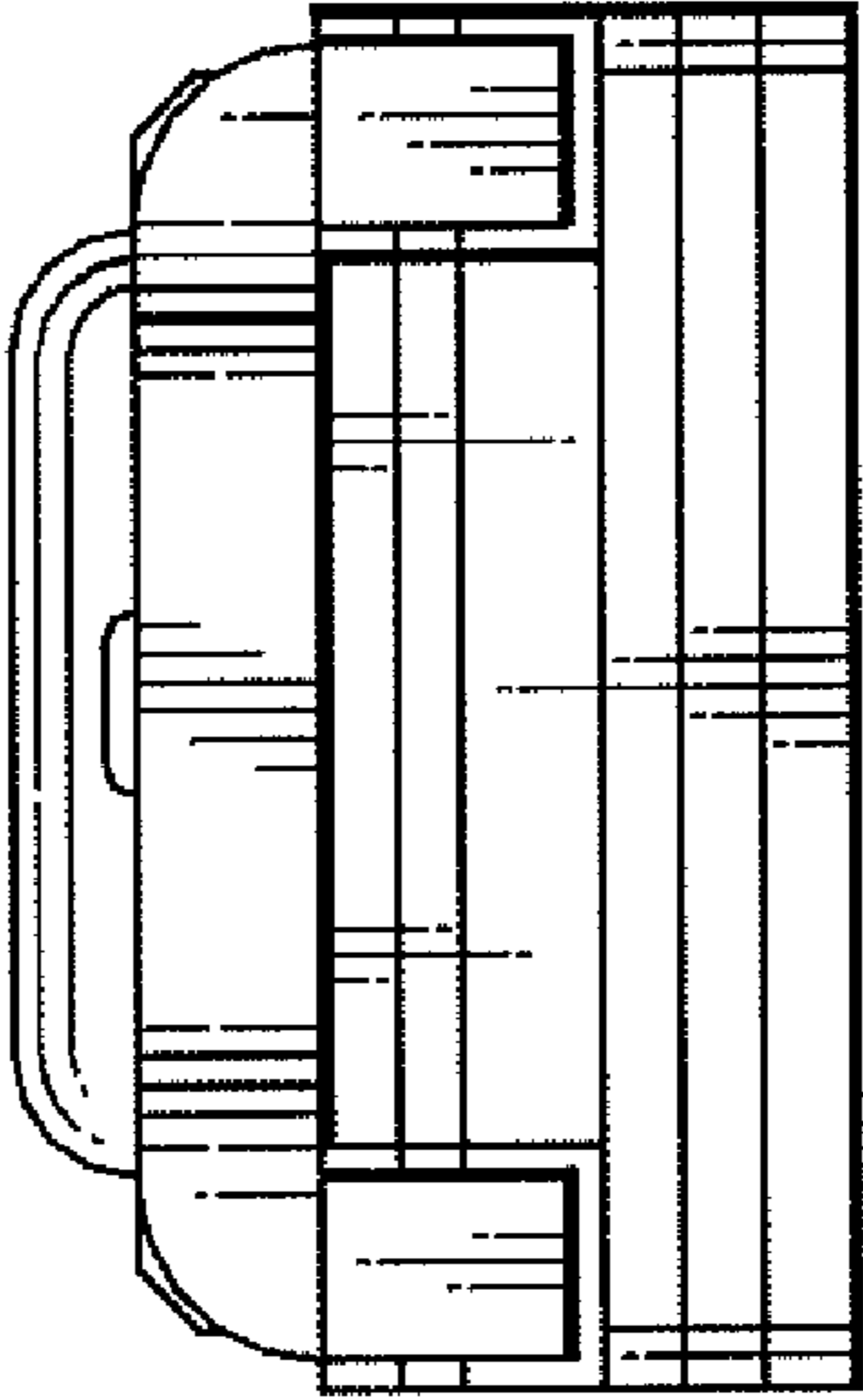


FIG.7

