



US00D583316S

(12) **United States Design Patent**  
**Säde et al.**

(10) **Patent No.:** **US D583,316 S**

(45) **Date of Patent:** **\*\* Dec. 23, 2008**

(54) **CHARGER**

D543,147 S \* 5/2007 Ng ..... D13/138.1  
D544,833 S \* 6/2007 Sade et al. .... D13/108

(75) Inventors: **Heli Säde**, Salo (FI); **Janne Loiske**,  
Turku (FI)

\* cited by examiner

(73) Assignee: **Nokia Corporation**, Espoo (FI)

*Primary Examiner*—Cathron C Brooks

*Assistant Examiner*—Rosemary K Tarcza

(\*\*) Term: **14 Years**

(74) *Attorney, Agent, or Firm*—Banner & Witcoff, Ltd.

(21) Appl. No.: **29/249,297**

(57) **CLAIM**

(22) Filed: **Sep. 29, 2006**

The ornamental design for a charger, as shown and described.

(30) **Foreign Application Priority Data**

**DESCRIPTION**

Apr. 3, 2006 (FI) ..... M20060072

FIG. 1 is a bottom plan view of a charger showing our new design;

(51) **LOC (8) Cl.** ..... **13-02**

FIG. 2 is a right side view thereof;

(52) **U.S. Cl.** ..... **D13/108**

FIG. 3 is a front view thereof;

(58) **Field of Classification Search** ..... D13/107–110,  
D13/118–119, 137.1–139.8, 184; D14/251,  
D14/253, 432, 434; 320/107–115; 307/64,  
307/85, 150, 151; 363/143, 146; 439/152–160,  
439/484, 692, 694

FIG. 4 is a left side view thereof;

FIG. 5 is a top plan view thereof;

FIG. 6 is a rear view thereof;

See application file for complete search history.

FIG. 7 is a perspective front view thereof;

FIG. 8 is a perspective rear view thereof; and,

FIG. 9 is a perspective bottom view thereof.

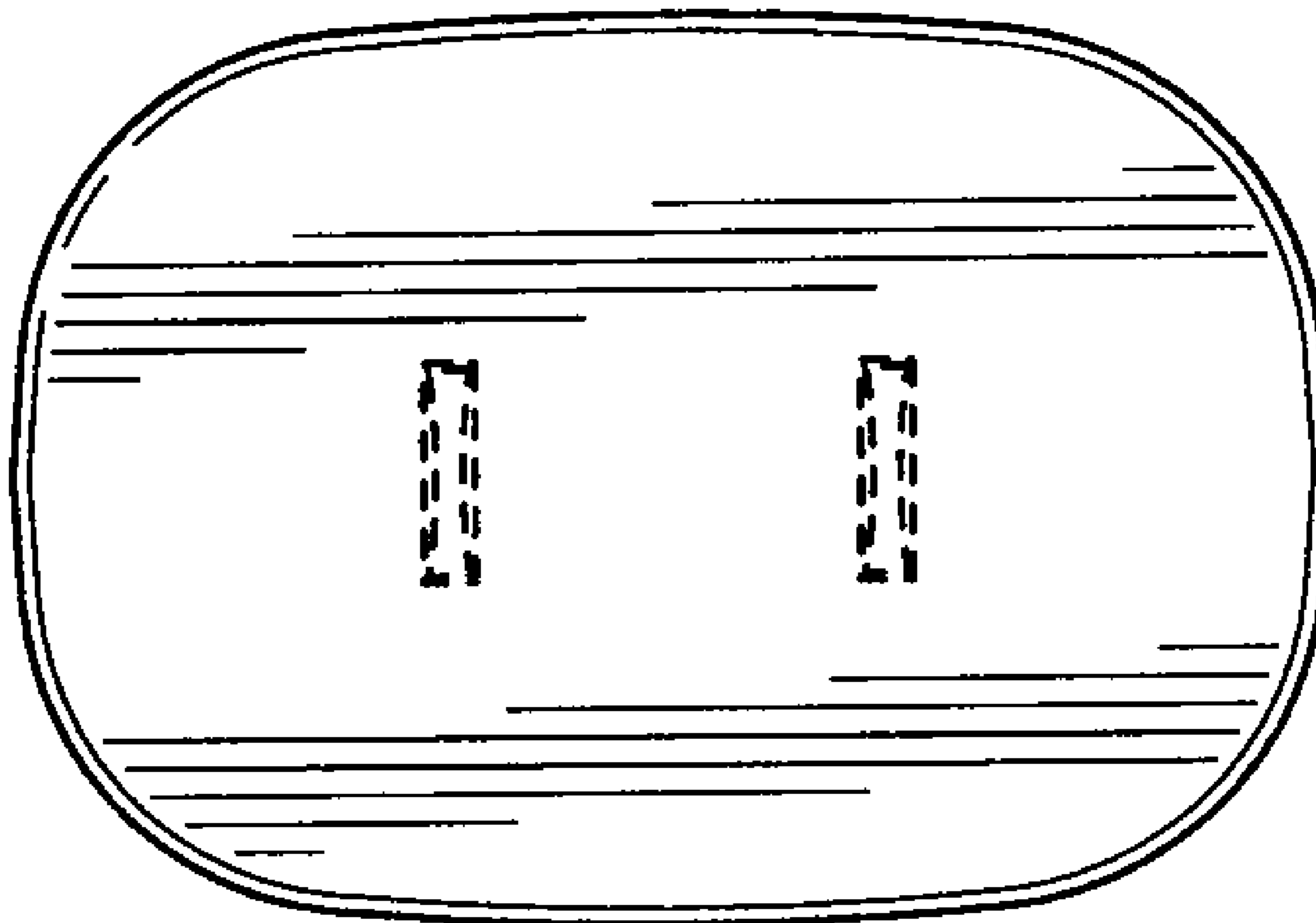
(56) **References Cited**

The broken line showing of environmental structures is for illustrative purposes only and forms no part of the claimed design.

**U.S. PATENT DOCUMENTS**

D258,429 S \* 3/1981 Buckler ..... D13/138.1  
D374,657 S \* 10/1996 Beranek ..... D13/138.1  
D452,841 S \* 1/2002 Tuhkanen ..... D13/108

**1 Claim, 4 Drawing Sheets**



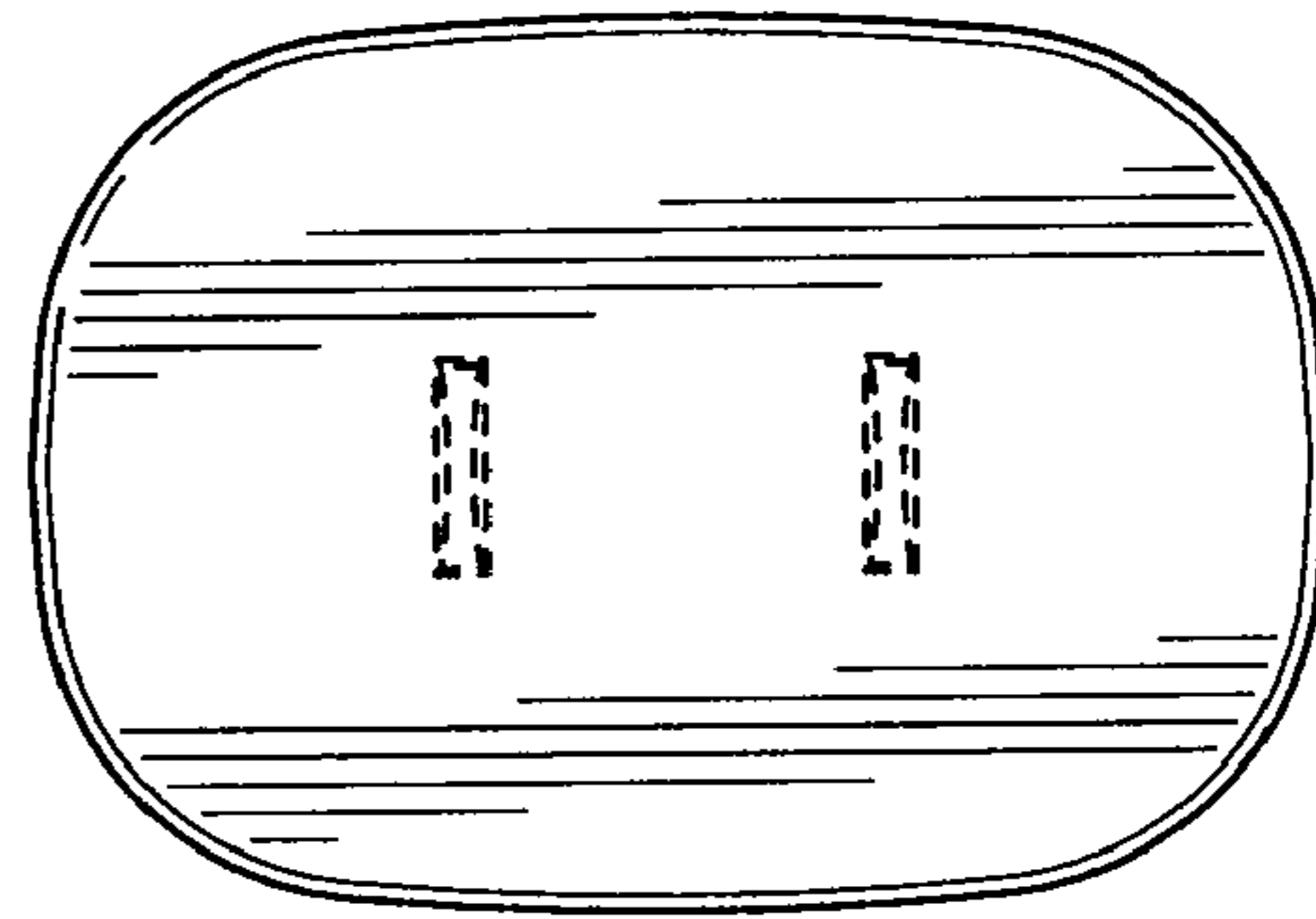


FIG. 1

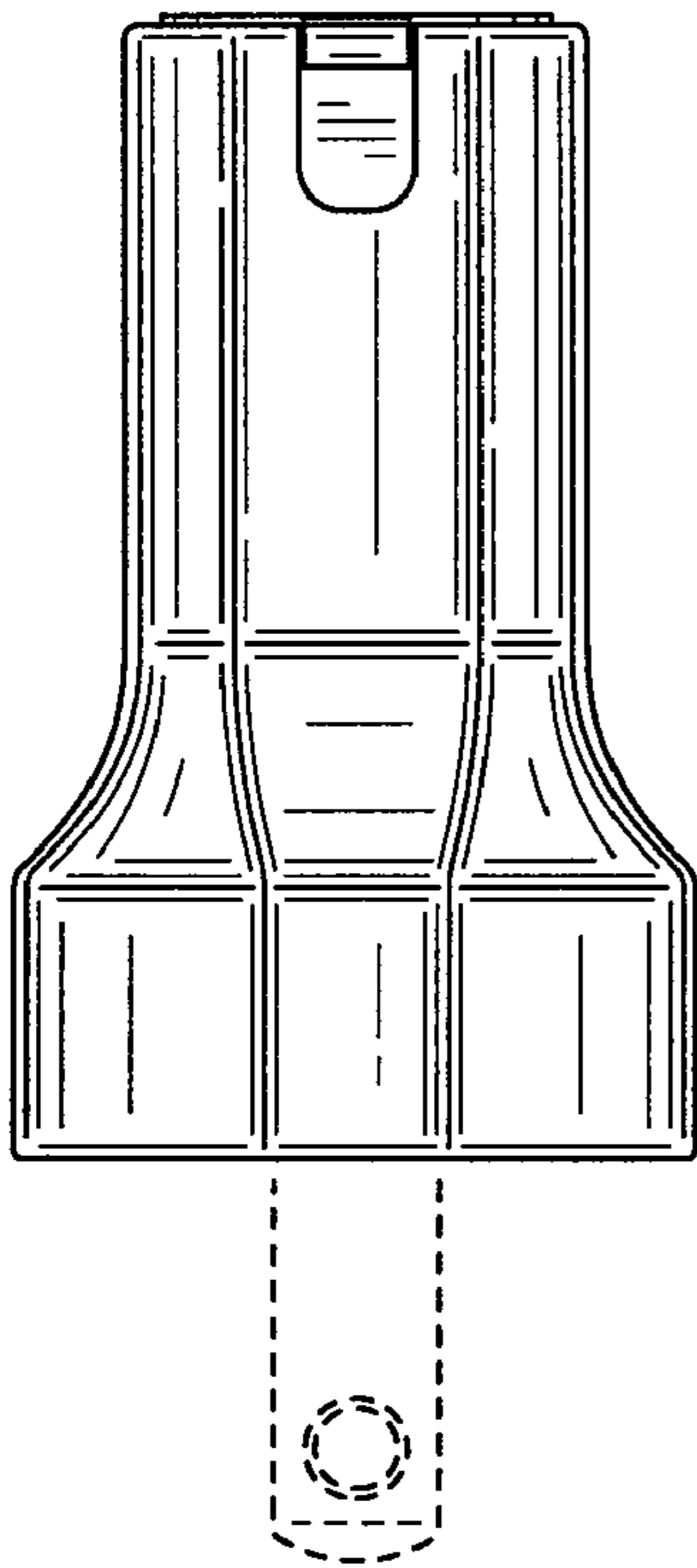


FIG. 2

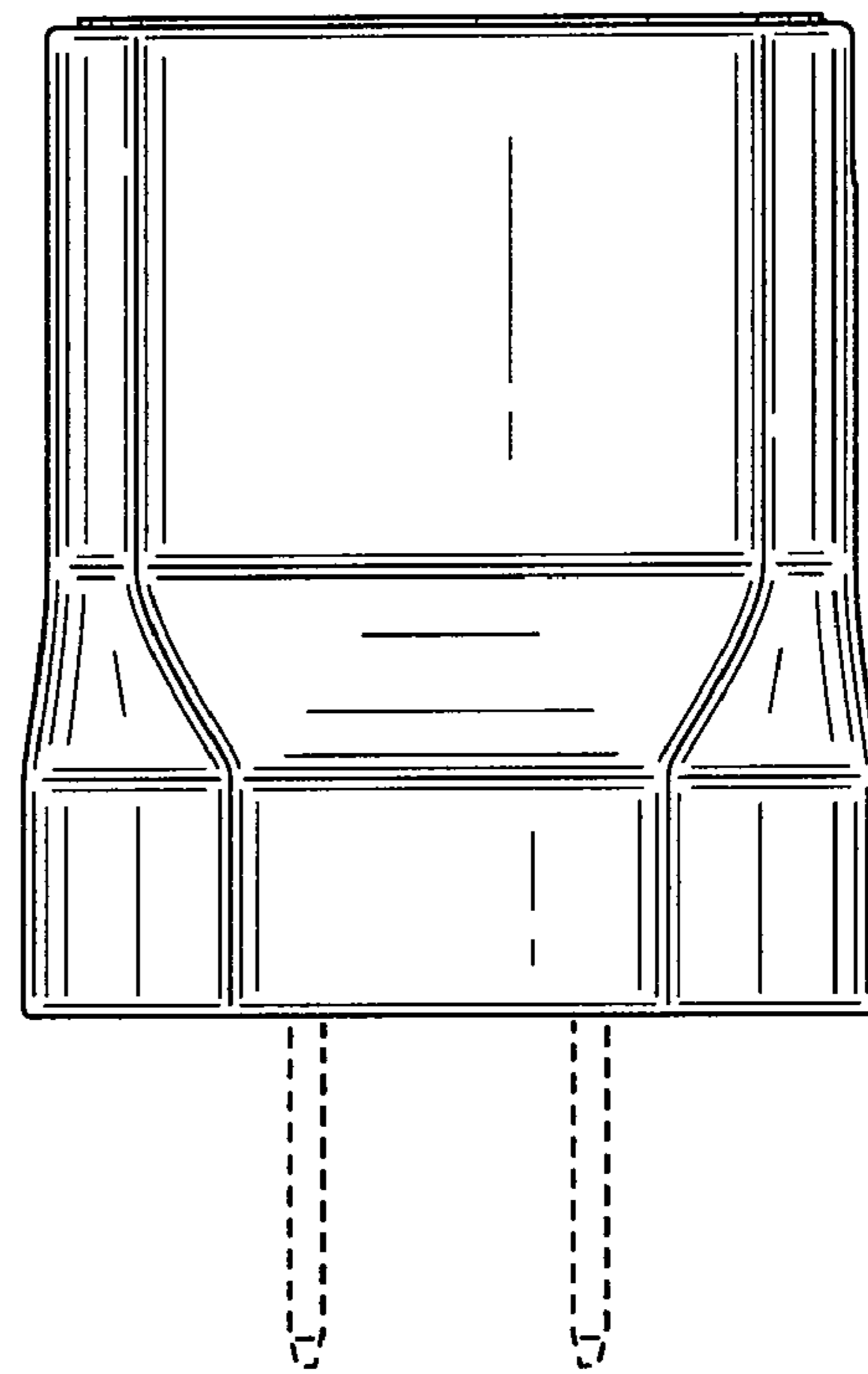


FIG. 3

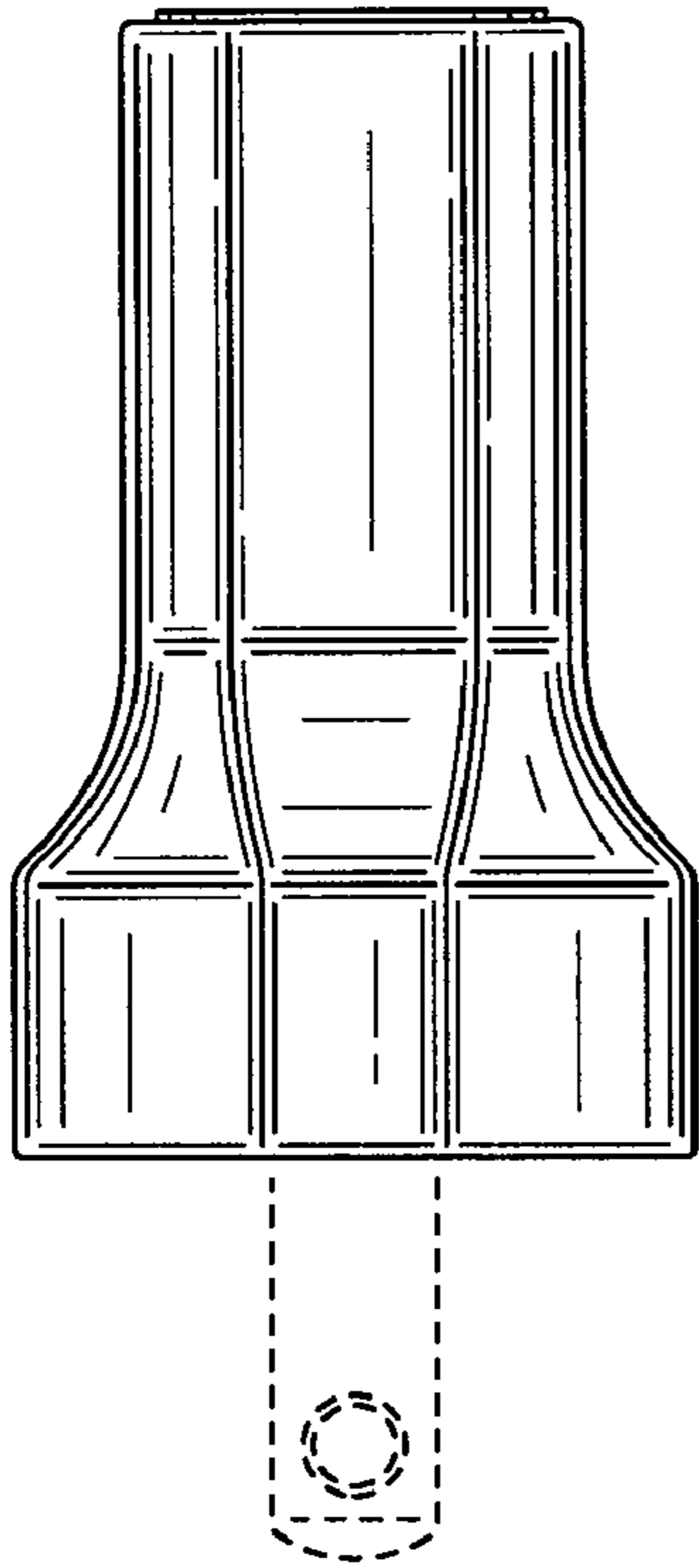


FIG. 4

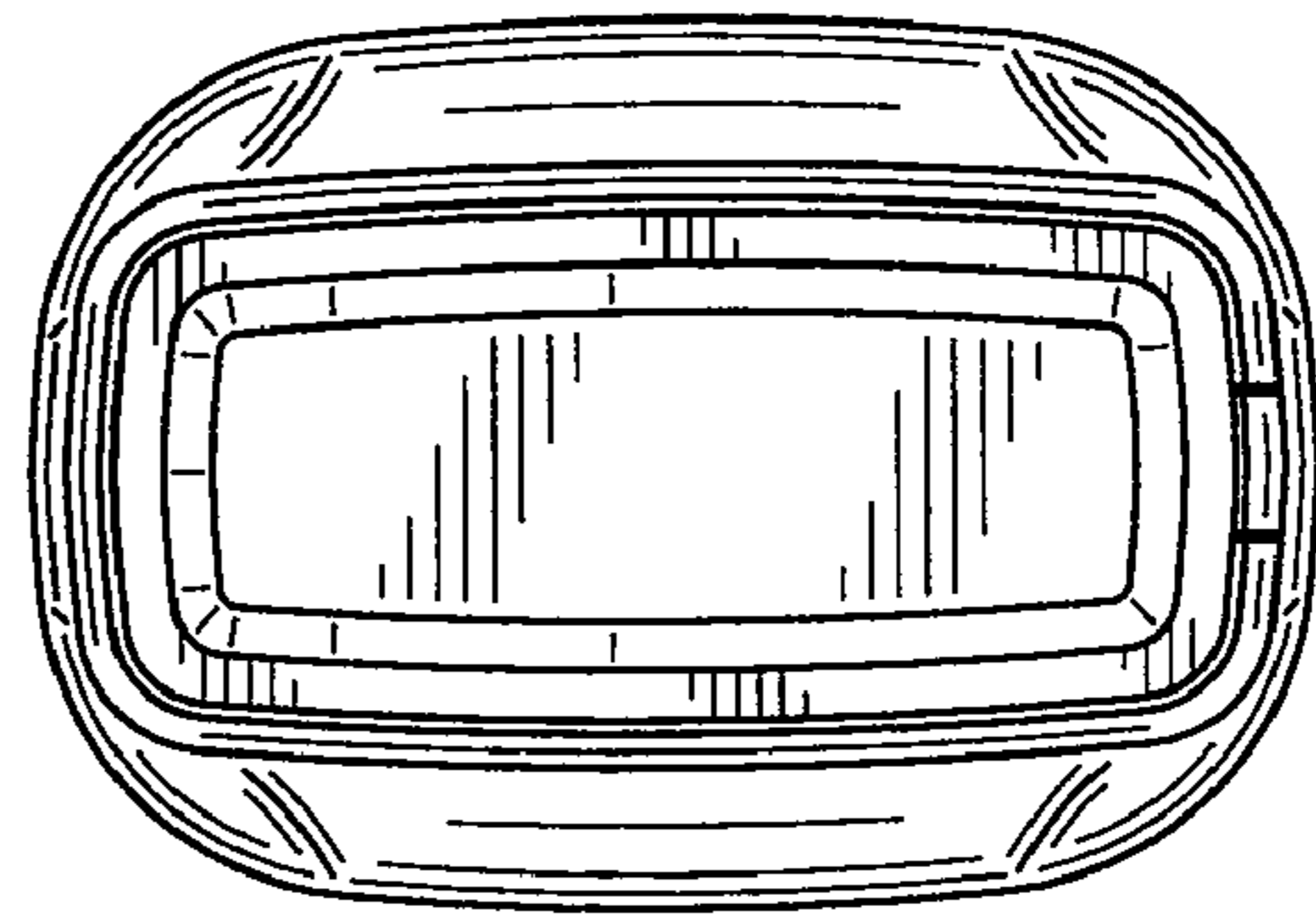


FIG. 5

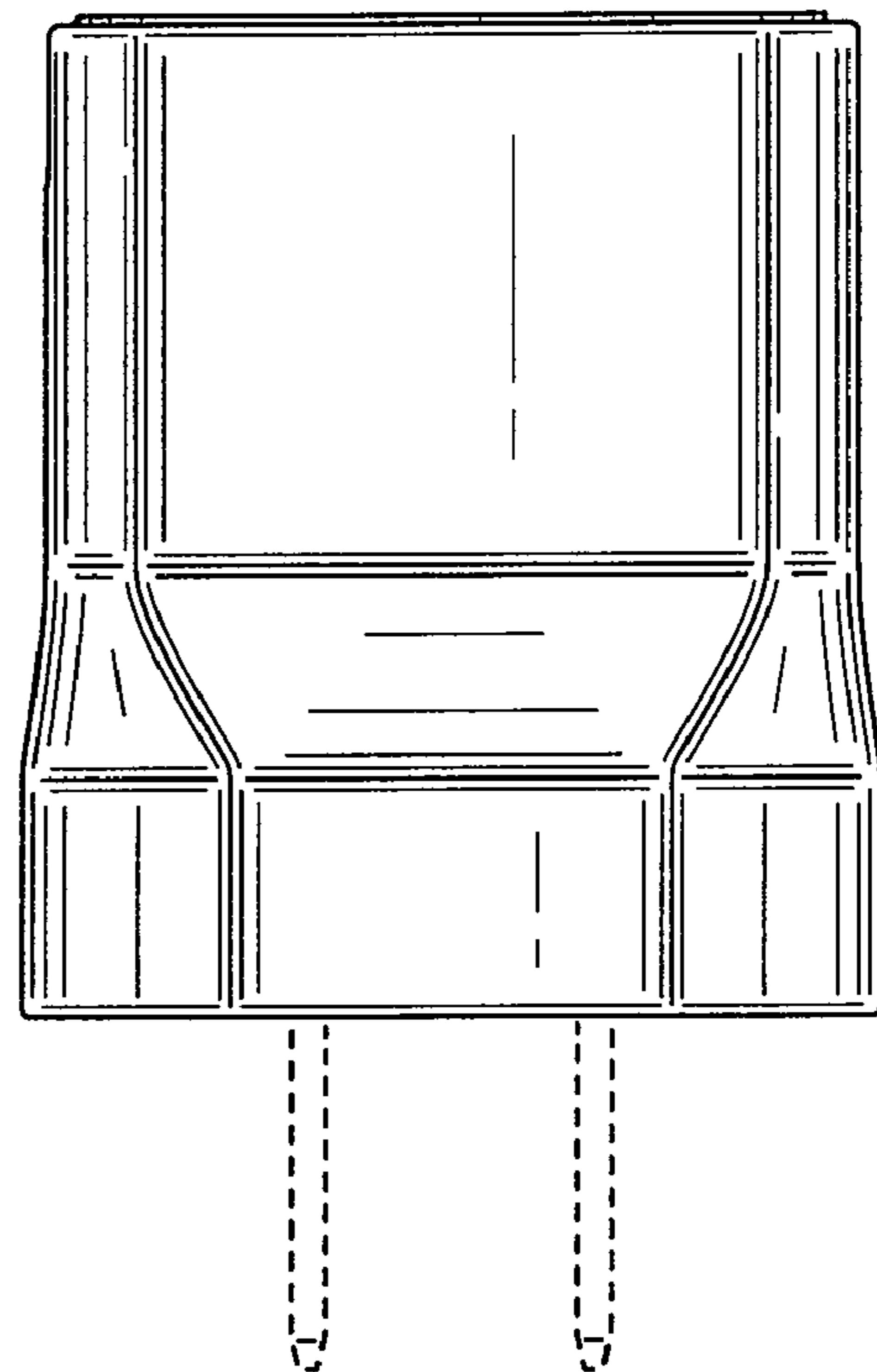


FIG. 6

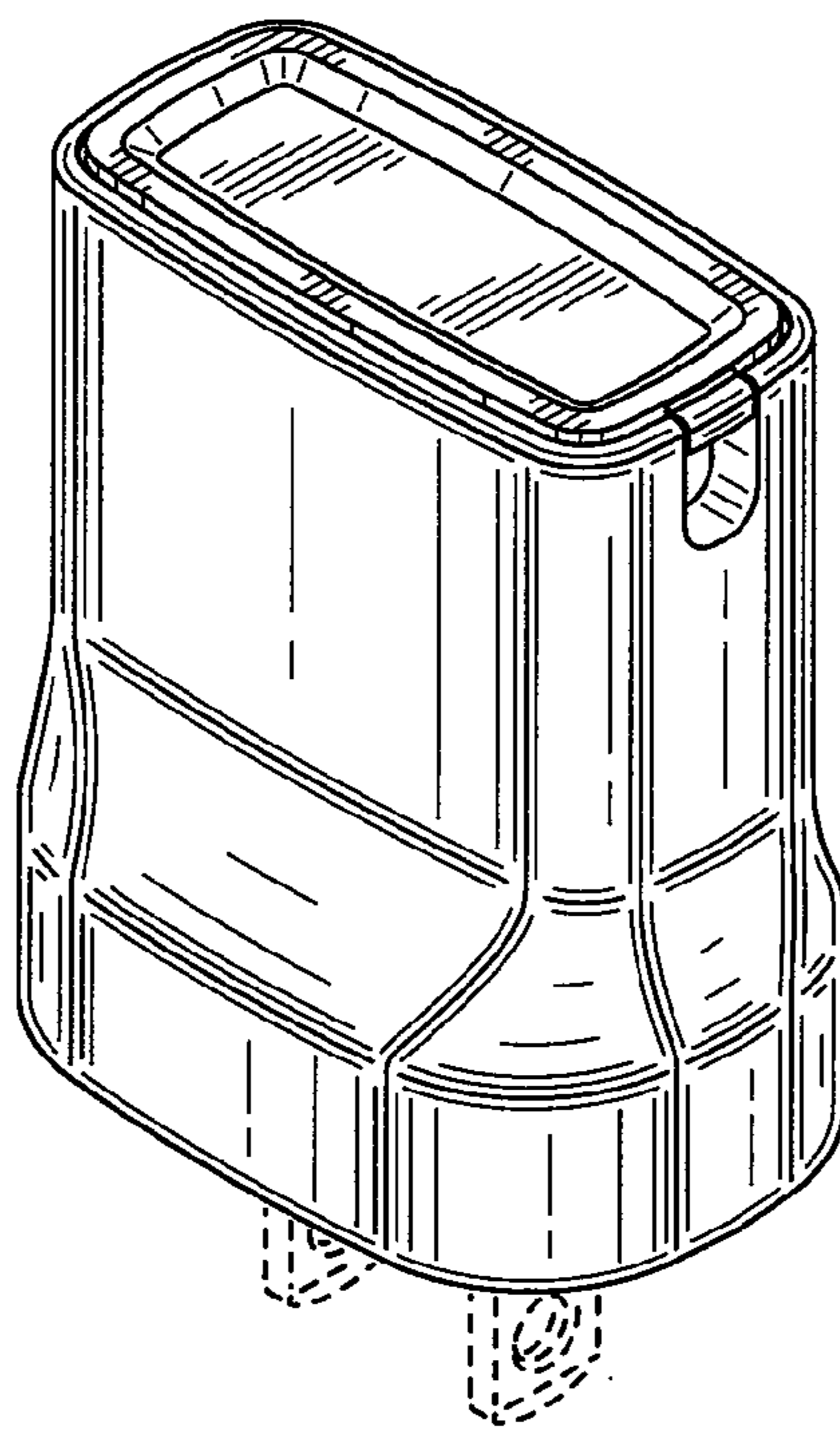


FIG. 7

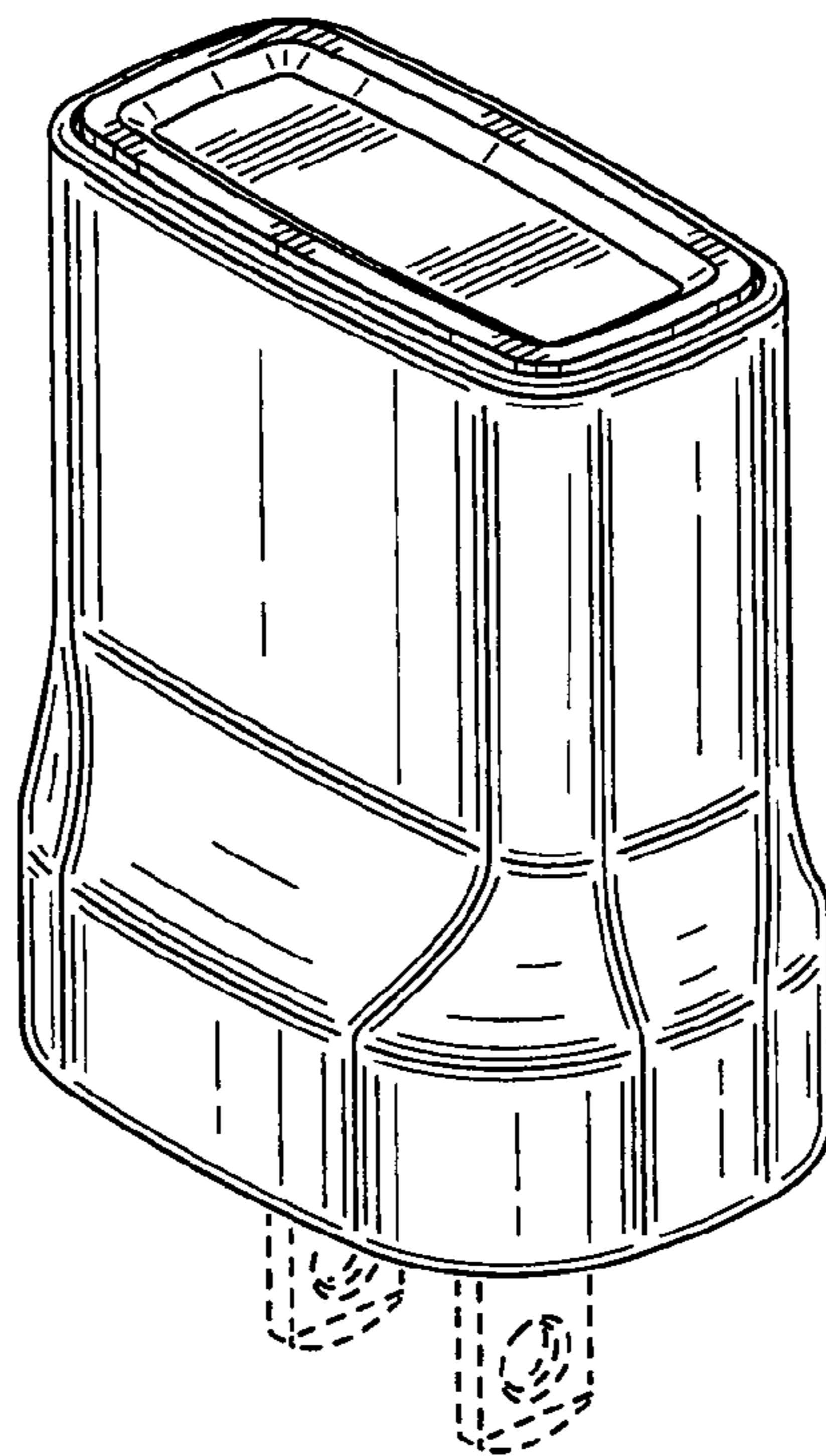


FIG. 8

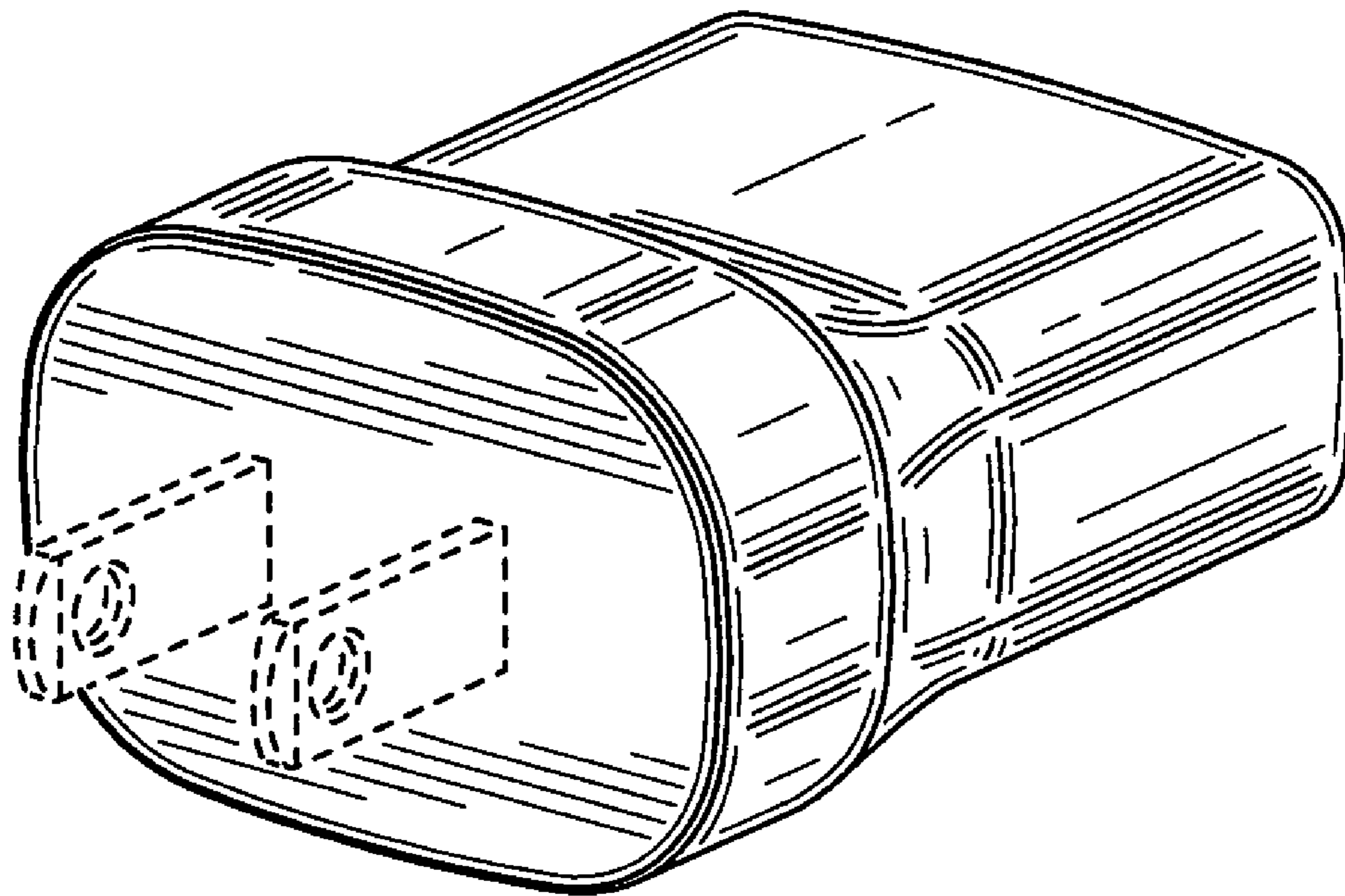


FIG. 9