



US00D583314S

(12) **United States Design Patent**
Price et al.

(10) **Patent No.:** **US D583,314 S**
(45) **Date of Patent:** **** Dec. 23, 2008**

(54) **BATTERY CHARGER**

DESCRIPTION

- (75) Inventors: **Scott David Price**, Lebanon, NJ (US);
Roger Davis, Glenn Gardner, NJ (US)
- (73) Assignee: **Ingersoll-Rand Company**, Montvale,
NJ (US)
- (**) Term: **14 Years**
- (21) Appl. No.: **29/260,702**
- (22) Filed: **May 31, 2006**
- (51) **LOC (8) Cl.** **13-02**
- (52) **U.S. Cl.** **D13/107**
- (58) **Field of Classification Search** D13/107-110,
D13/118-119, 184; D14/251, 253, 432,
D14/434; 320/107-115
See application file for complete search history.

(56) **References Cited**

U.S. PATENT DOCUMENTS

2,469,857 A	5/1949	Allyn
3,757,194 A	9/1973	Weber et al.
4,032,806 A	6/1977	Seely
4,447,749 A	5/1984	Reeb, Jr. et al.

(Continued)

Primary Examiner—Melanie H Tung
Assistant Examiner—Rosemary K Tarca
(74) *Attorney, Agent, or Firm*—RatnerPrestia

(57) **CLAIM**

The ornamental design for a battery charger, as shown and described.

FIG. 1 is a perspective view of a battery charger according to an embodiment of the present invention;

FIG. 2 is a right side view of the battery charger shown in FIG. 1;

FIG. 3 is a left side view of the battery charger shown in FIG. 1;

FIG. 4 is a top plan view of the battery charger shown in FIG. 1;

FIG. 5 is a bottom plan view of the battery charger shown in FIG. 1;

FIG. 6 is a front elevation view of the battery charger shown in FIG. 1;

FIG. 7 is a rear elevation view of the battery charger shown in FIG. 1;

FIG. 8 is a perspective view of a battery charger according to an embodiment of the present invention;

FIG. 9 is a right side view of the battery charger shown in FIG. 8;

FIG. 10 is a left side view of the battery charger shown in FIG. 8;

FIG. 11 is a top plan view of the battery charger shown in FIG. 8;

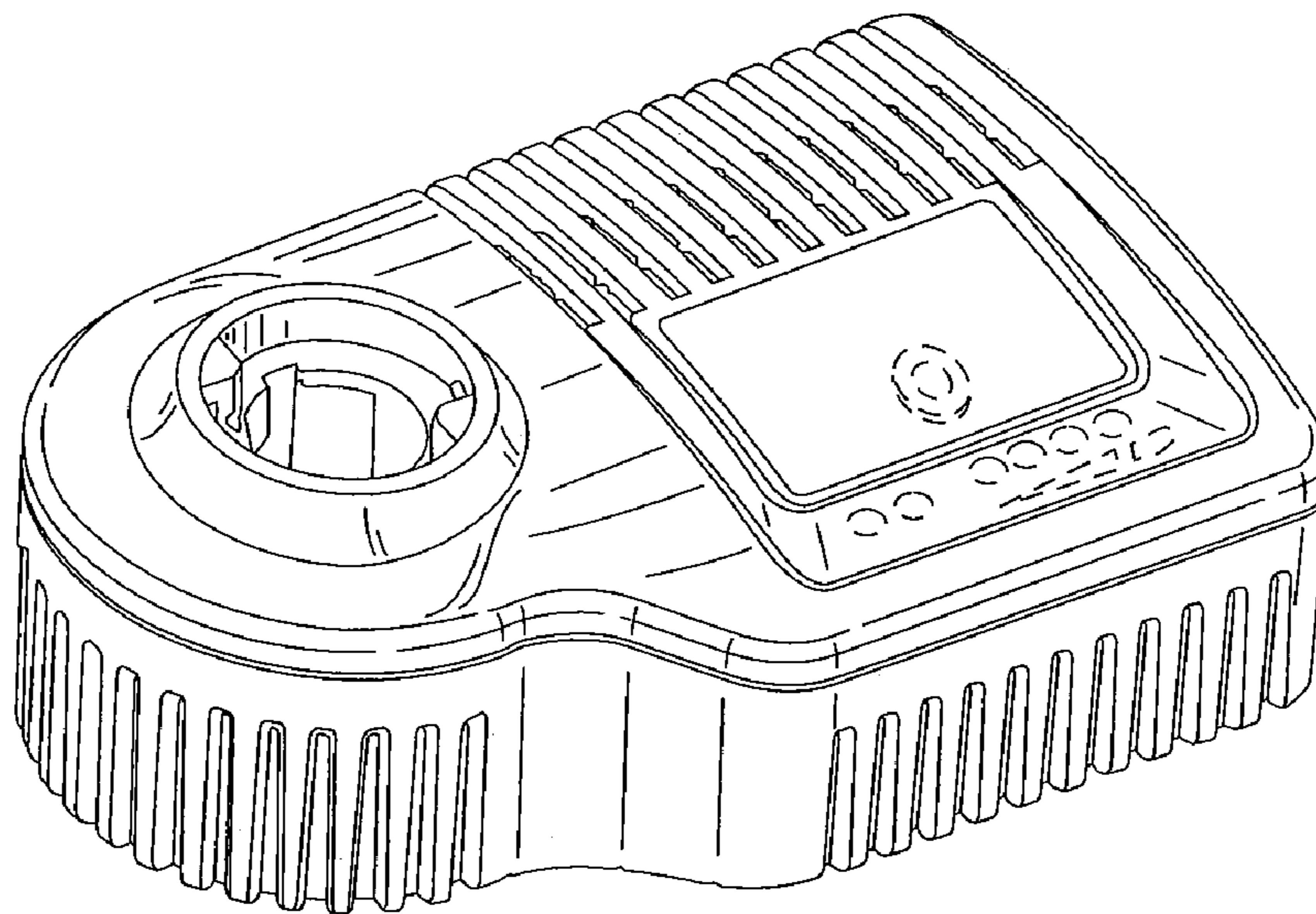
FIG. 12 is a bottom plan view of the battery charger shown in FIG. 8;

FIG. 13 is a front elevation view of the battery charger shown in FIG. 8; and,

FIG. 14 is a rear elevation view of the battery charger shown in FIG. 8.

In the drawings, broken lines are shown for illustrative purposes only and form no part of the claimed design.

1 Claim, 6 Drawing Sheets



US D583,314 S

Page 2

U.S. PATENT DOCUMENTS

D276,149 S *	10/1984	Eckmann et al.	D13/107	D404,006 S *	1/1999	Clowers et al.	D13/107
4,616,169 A	10/1986	Proffitt		5,902,080 A	5/1999	Kopras	
4,709,974 A	12/1987	Hawkins		D429,211 S *	8/2000	Ohi et al.	D13/107
4,751,452 A	6/1988	Kilmer et al.		6,104,162 A	8/2000	Sainsbury et al.	
D298,119 S *	10/1988	Richards et al.	D13/108	6,112,414 A	9/2000	Andis et al.	
D298,230 S *	10/1988	Lay	D13/107	6,126,670 A	10/2000	Walker et al.	
4,779,687 A	10/1988	Schreiber et al.		6,139,359 A	10/2000	Fuhreck et al.	
4,835,410 A	5/1989	Bhagwat et al.		6,161,293 A	12/2000	Watson	
4,871,629 A	10/1989	Bunyea		D440,202 S *	4/2001	Heun	D13/107
5,065,082 A *	11/1991	Fushiya	320/110	6,384,572 B1	5/2002	Nishimura	
5,089,738 A	2/1992	Bergqvist et al.		6,597,152 B1 *	7/2003	Jacobs et al.	320/113
D327,669 S *	7/1992	Sakamoto et al.	D13/108	6,675,912 B2	1/2004	Carrier	
5,213,913 A	5/1993	Anthony, III et al.		6,729,415 B1	5/2004	Huang	
5,445,900 A	8/1995	Miller, Jr. et al.		6,840,335 B1	1/2005	Wu	
5,553,675 A	9/1996	Pitzen et al.		6,887,244 B1	5/2005	Walker et al.	
5,671,815 A	9/1997	Kabatnik et al.		6,889,439 B2	5/2005	Koukal et al.	
5,769,657 A	6/1998	Kondo et al.		D506,725 S *	6/2005	Watson	D13/108
5,792,573 A	8/1998	Pitzen et al.		D533,134 S *	12/2006	Aglassinger	D13/108
5,800,940 A	9/1998	Bunyea et al.		D541,214 S *	4/2007	Ino et al.	D13/107
D400,499 S *	11/1998	Bunyea	D13/107				

* cited by examiner

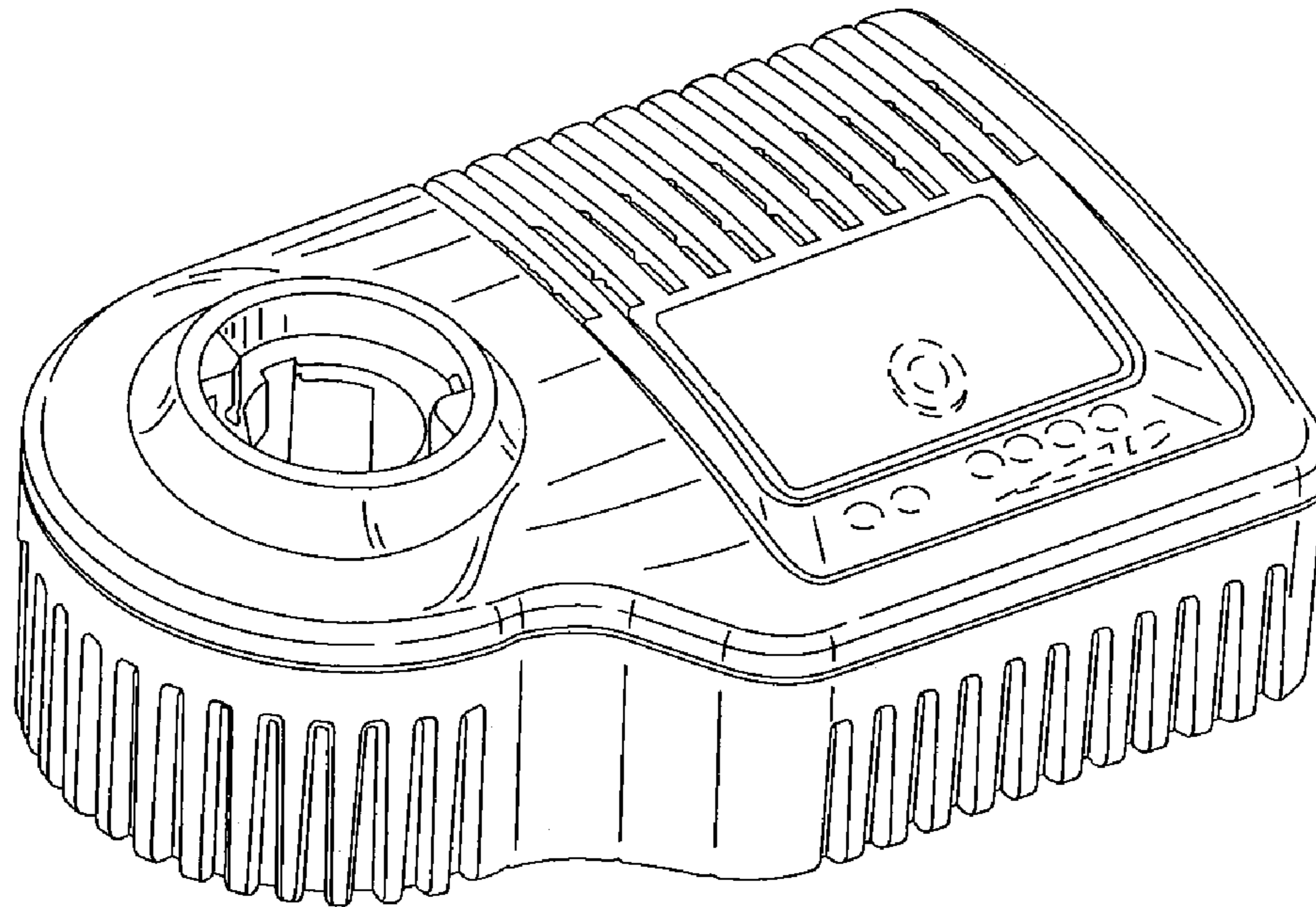


Fig. 1

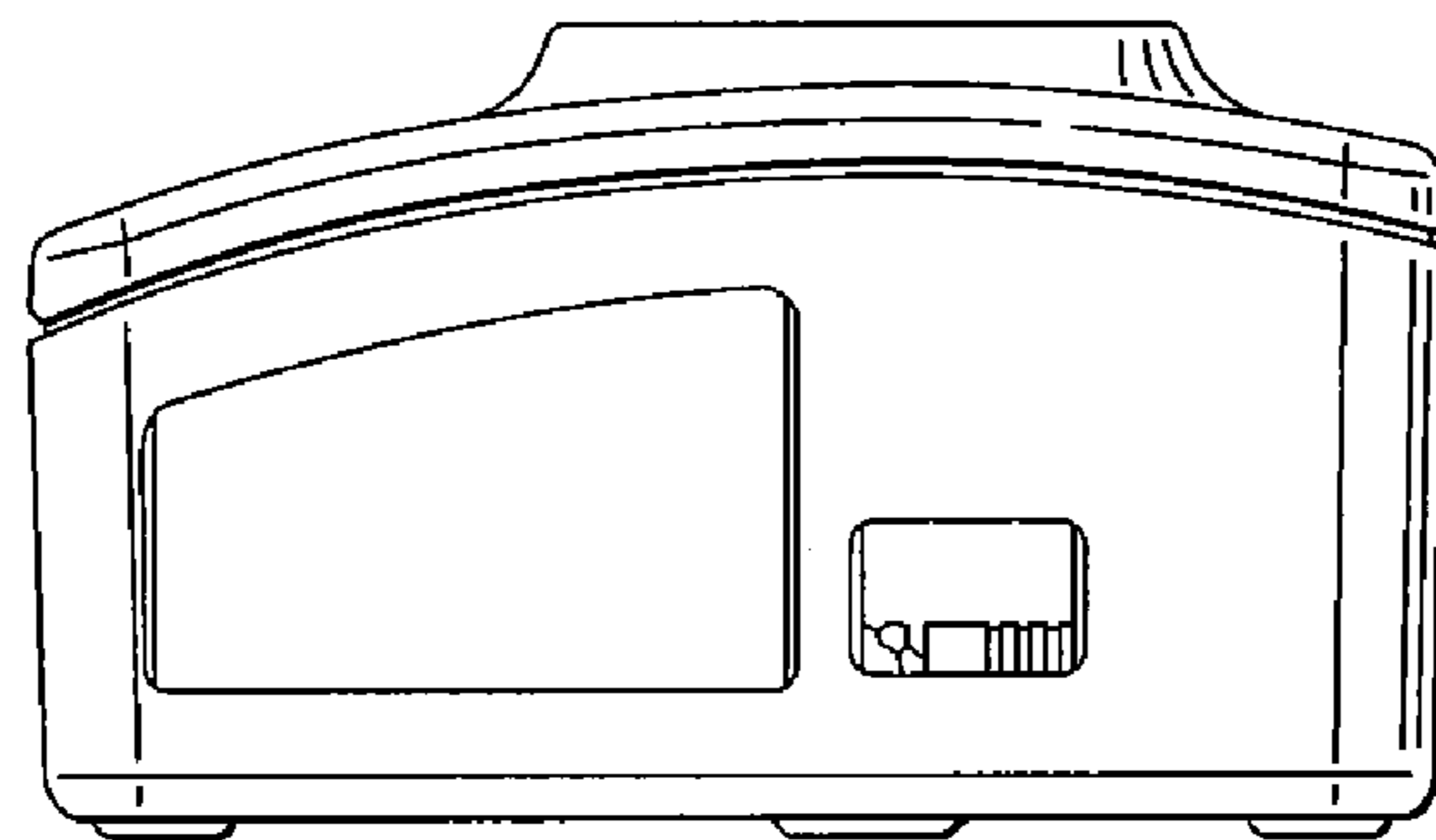


Fig. 2

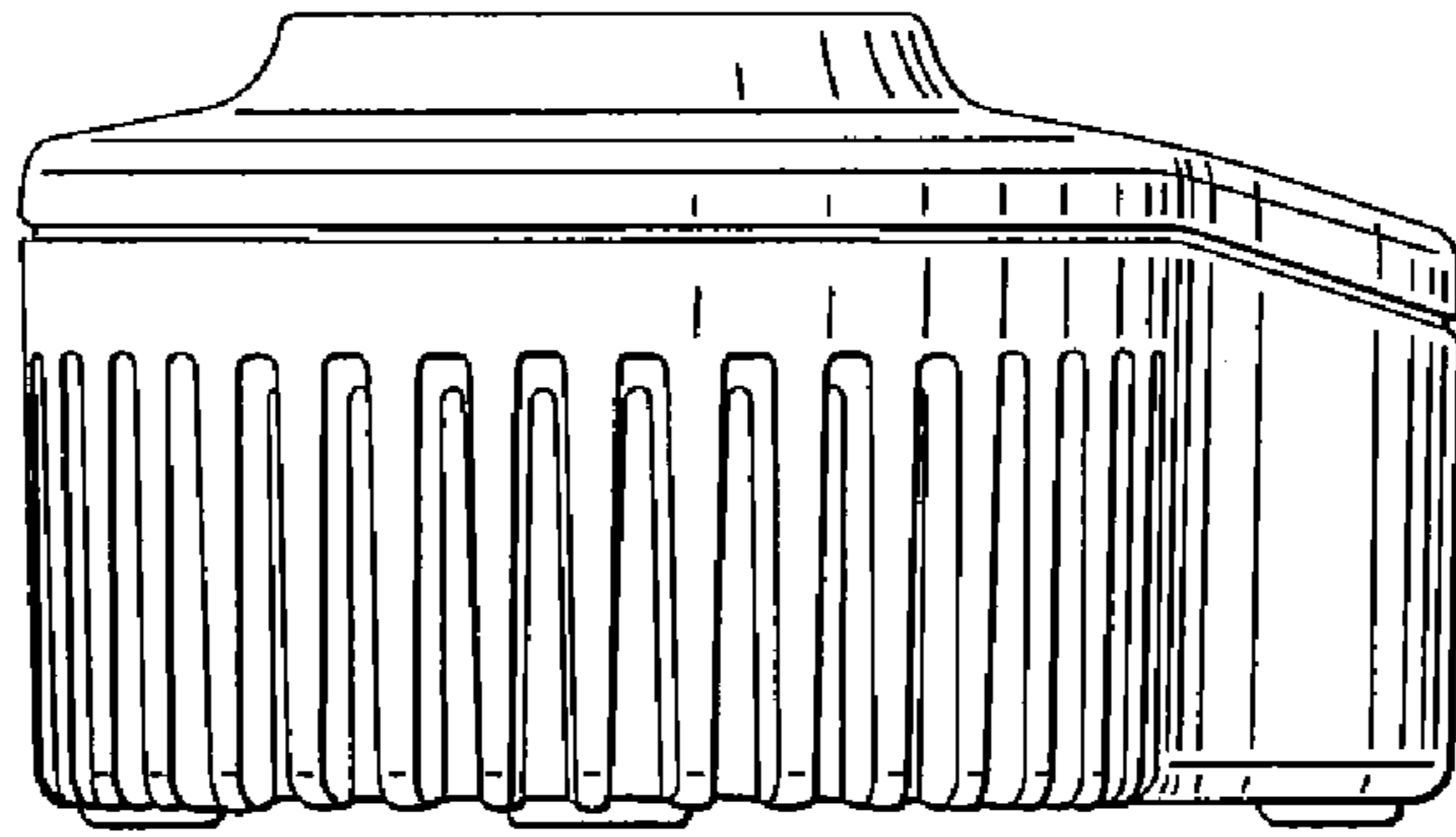


Fig. 3

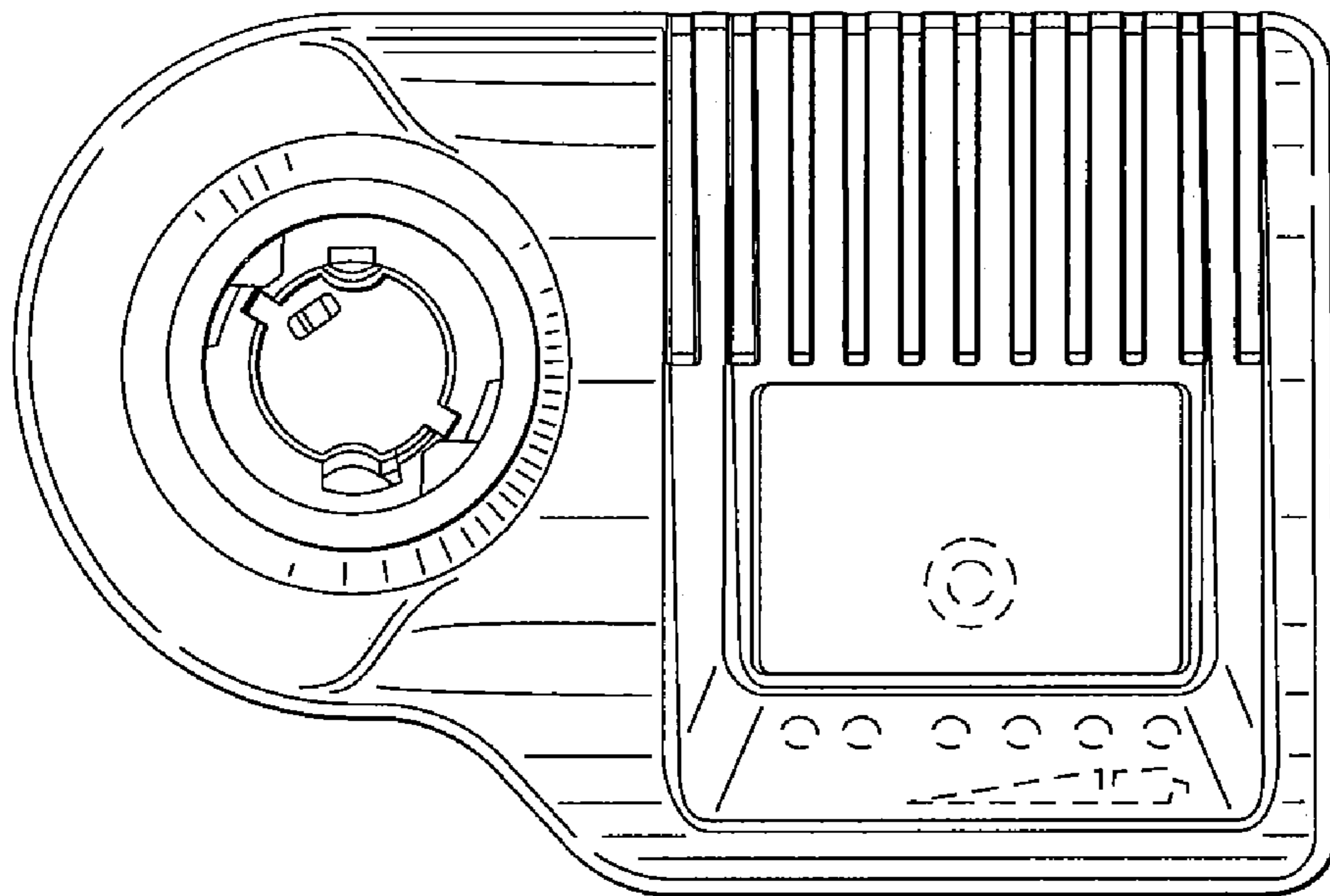


Fig. 4

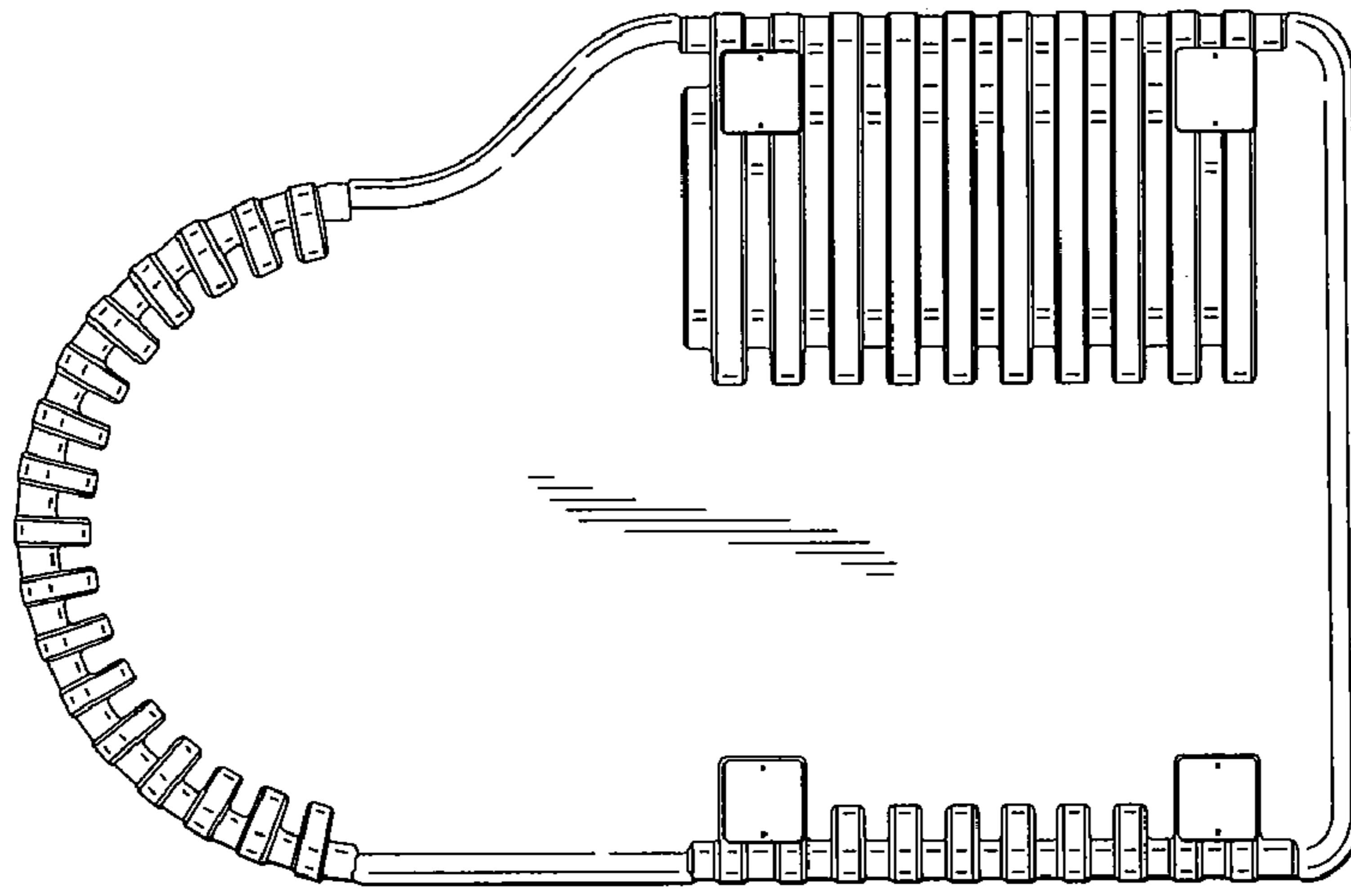


Fig. 5

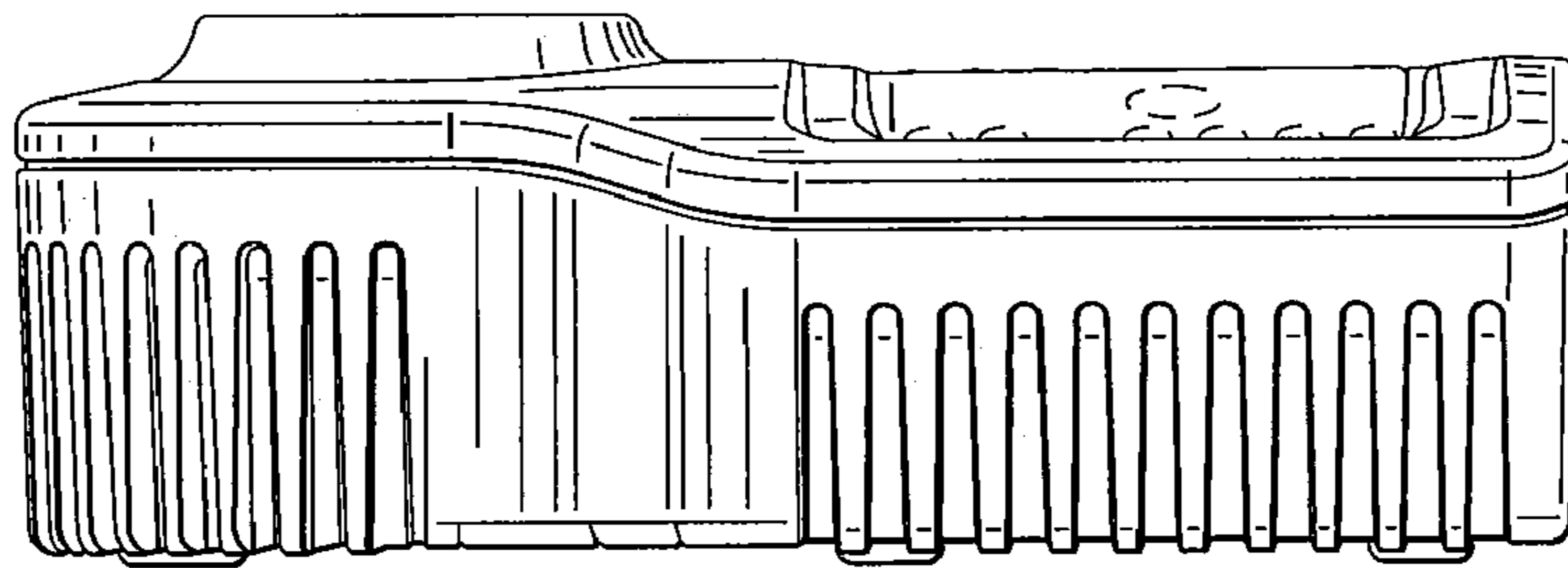


Fig. 6

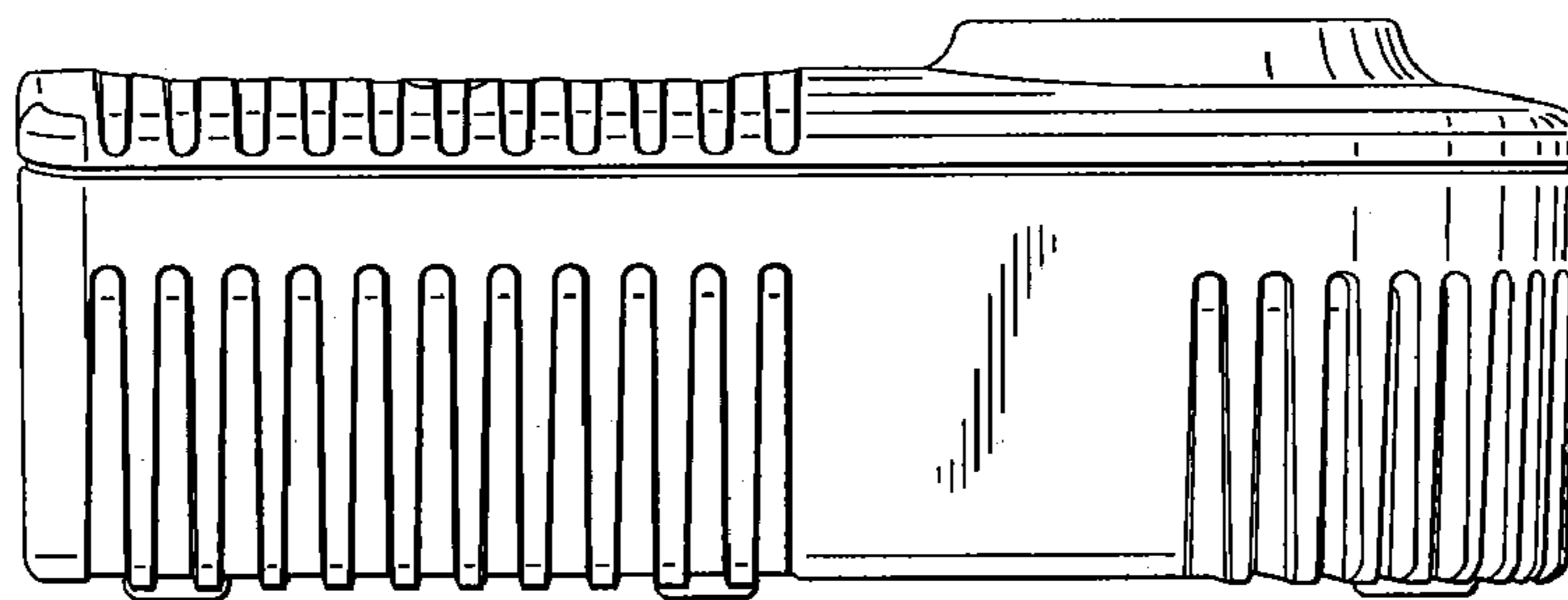


Fig. 7

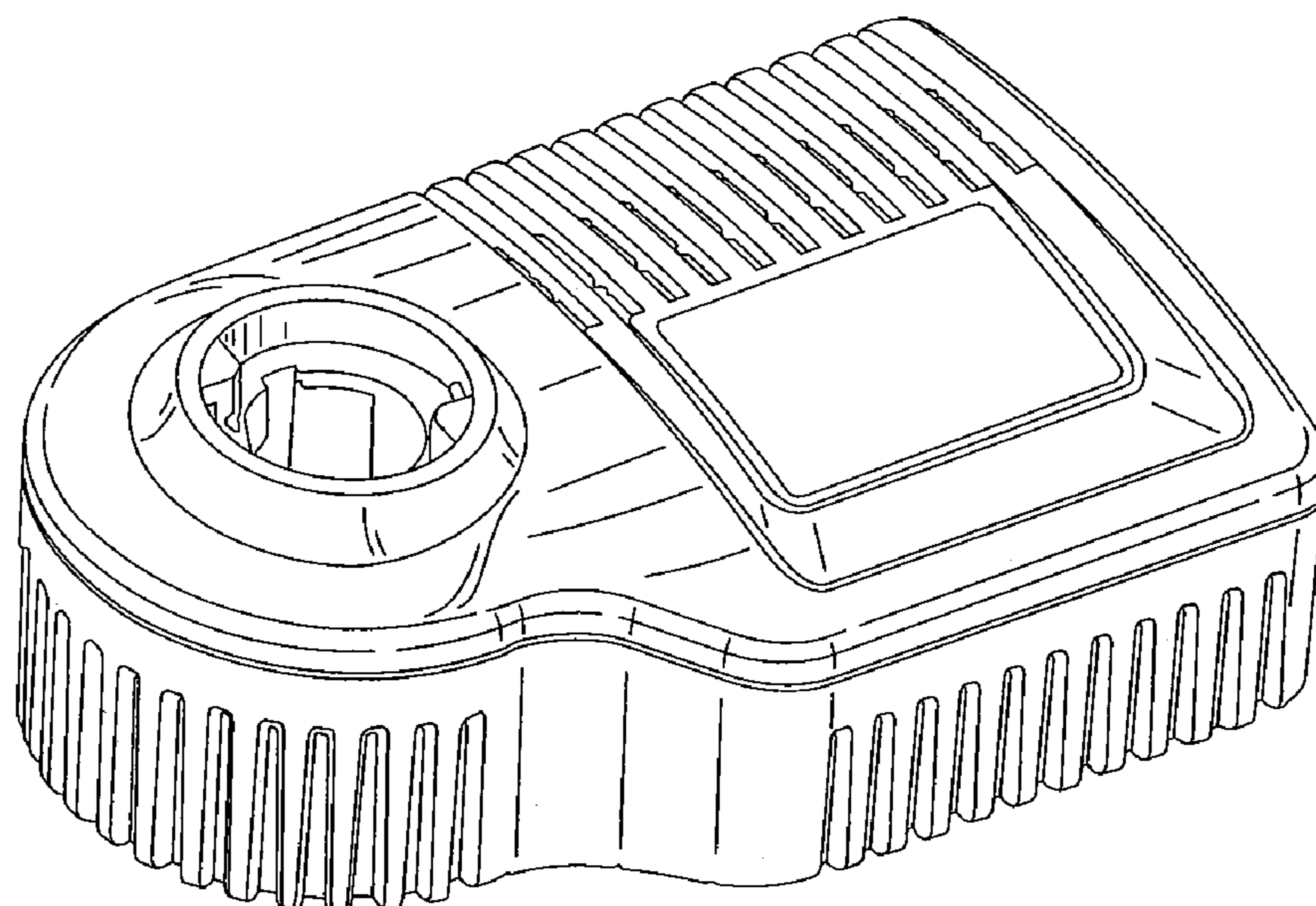


Fig. 8

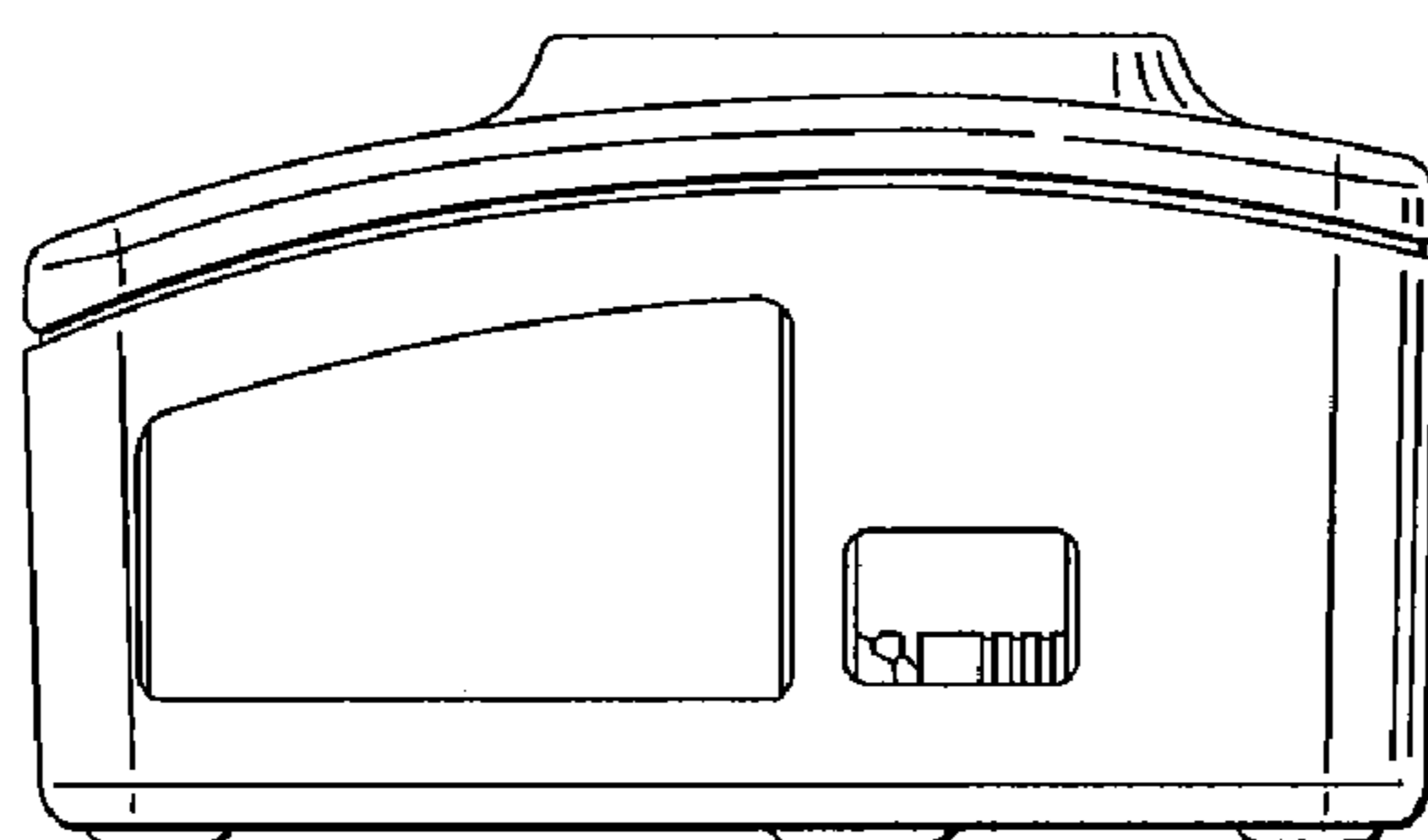


Fig. 9

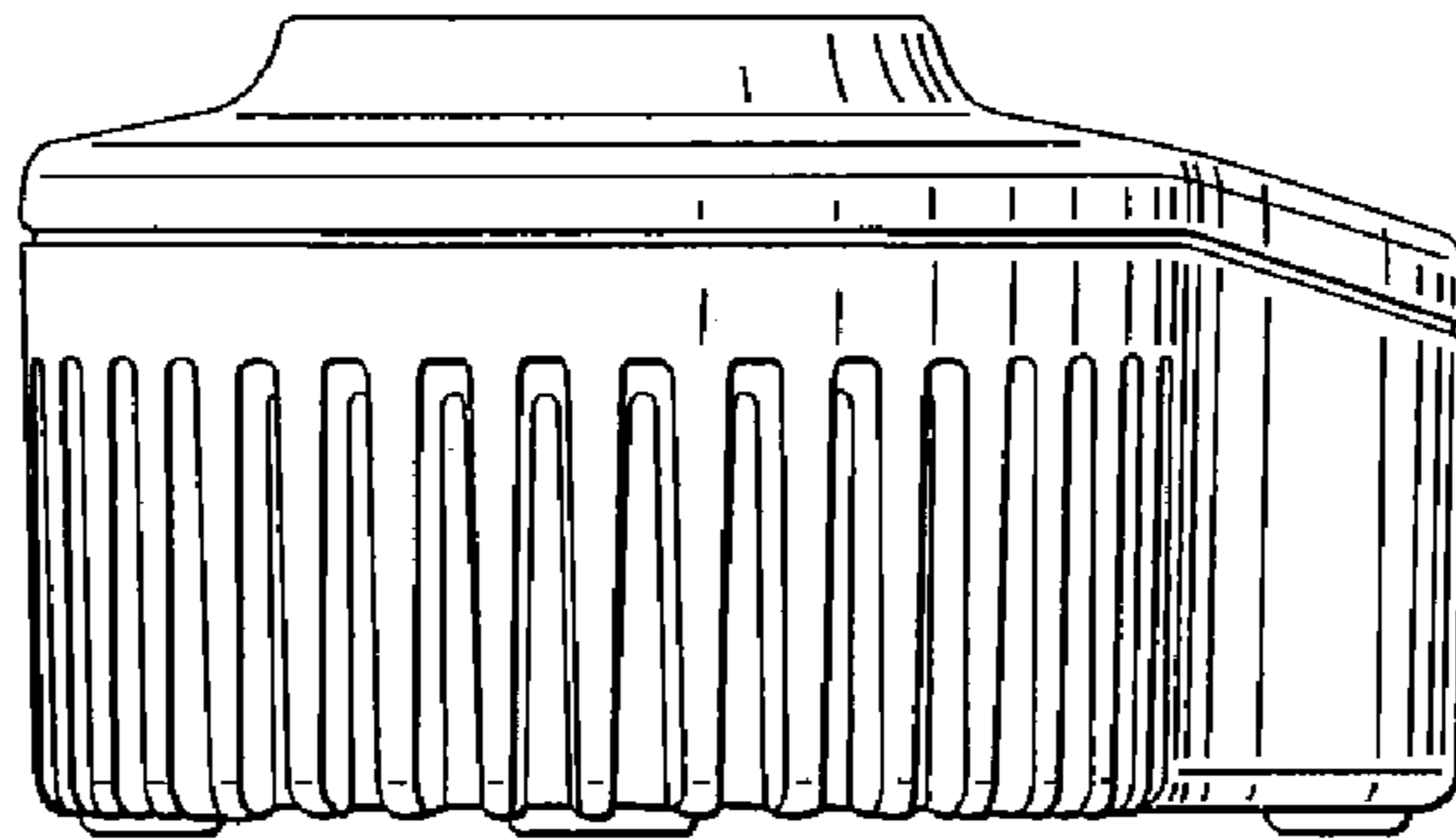


Fig. 10

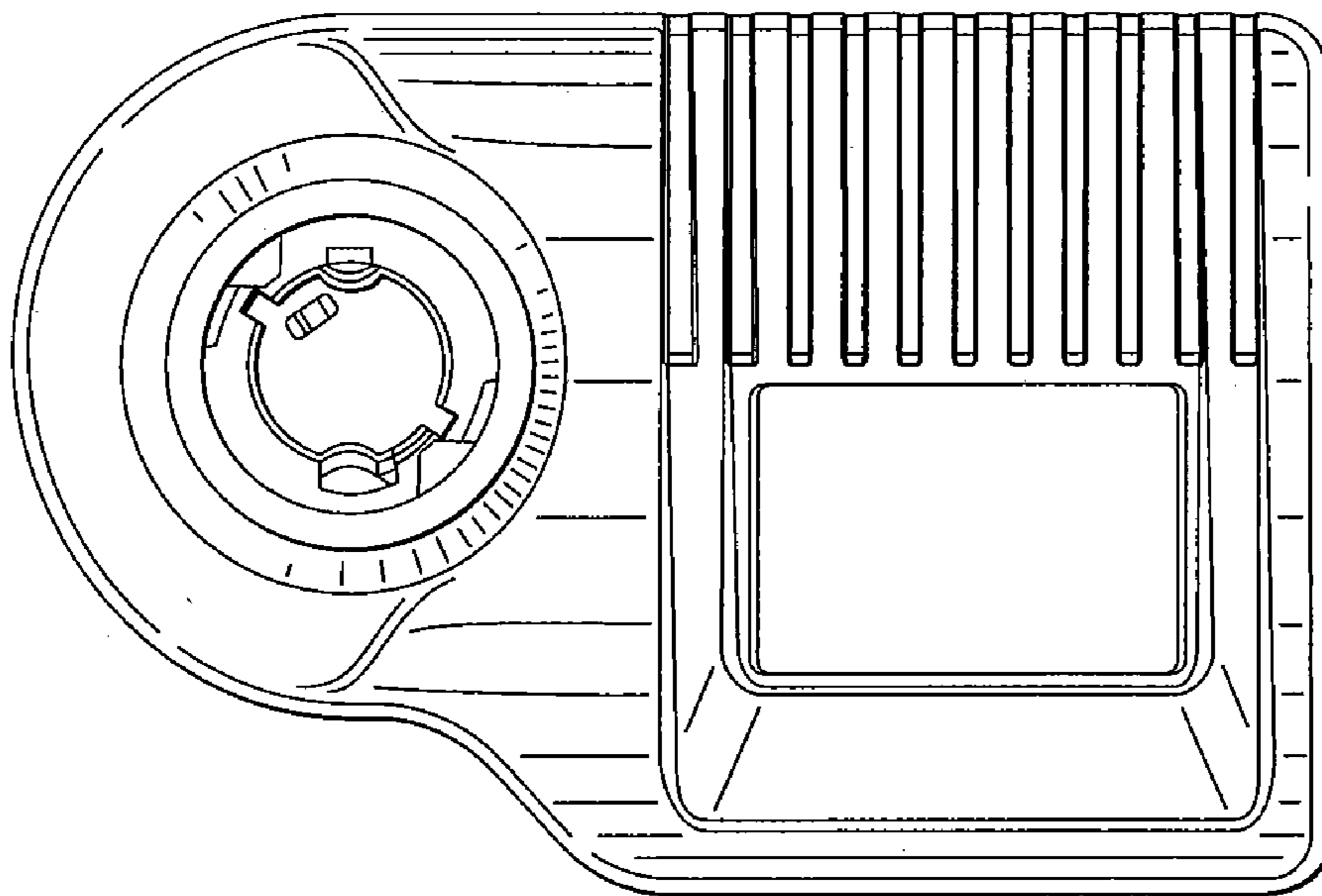


Fig. 11

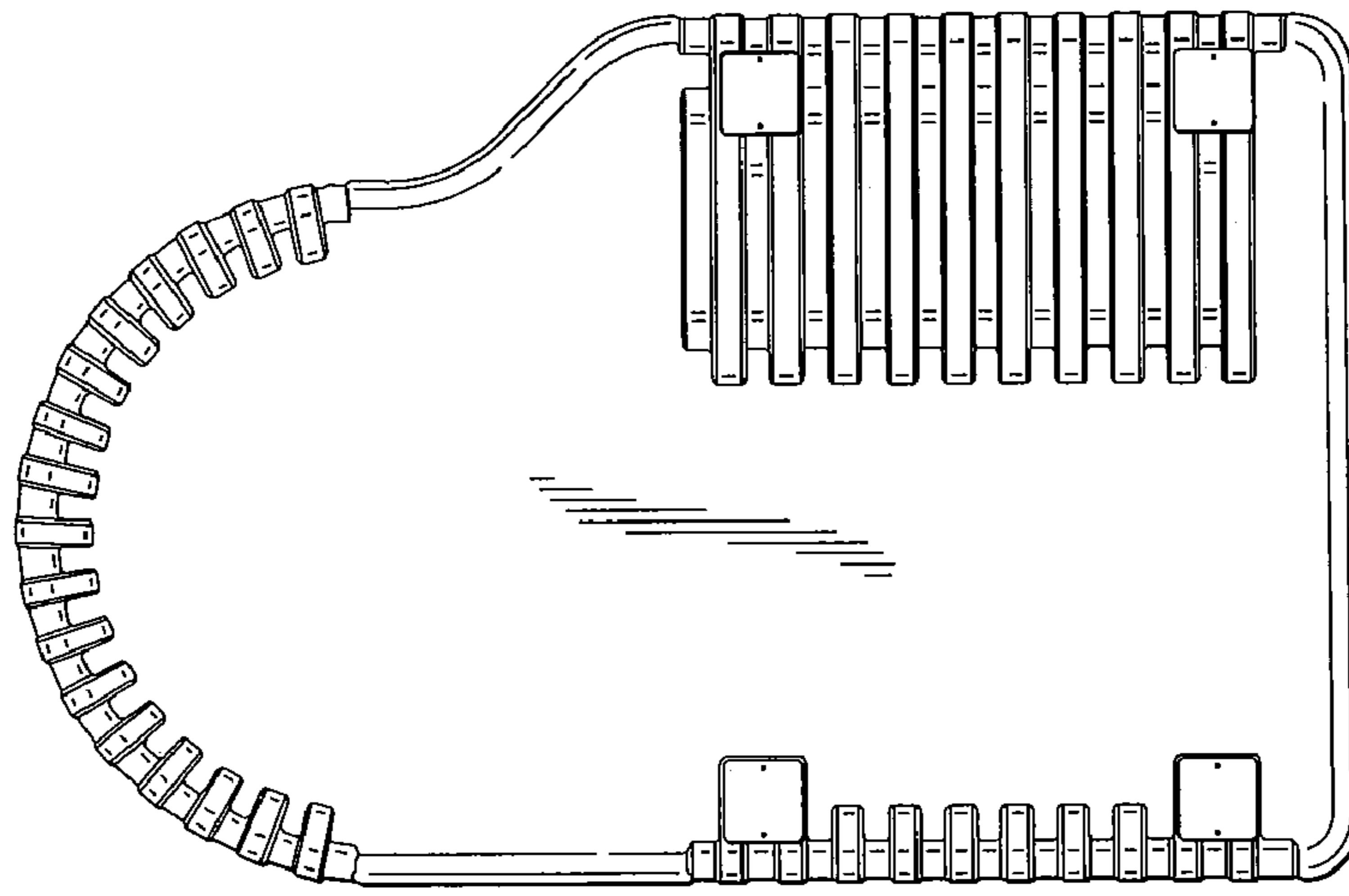


Fig. 12

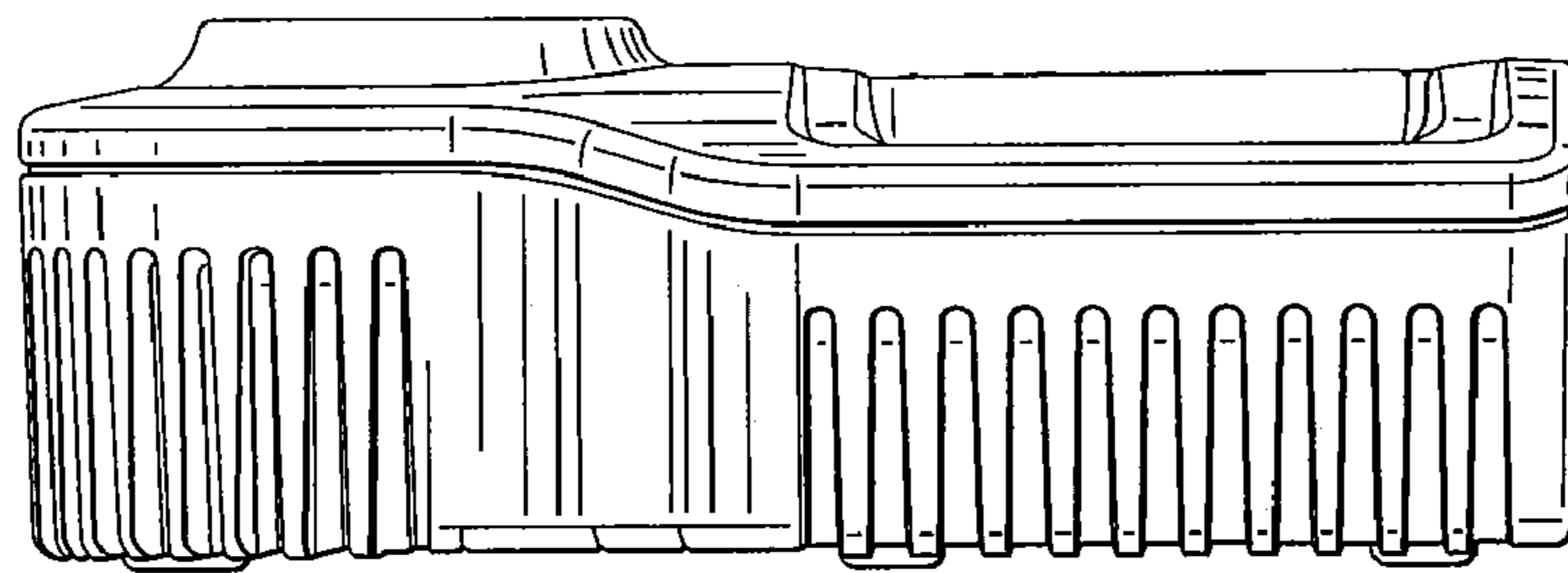


Fig. 13

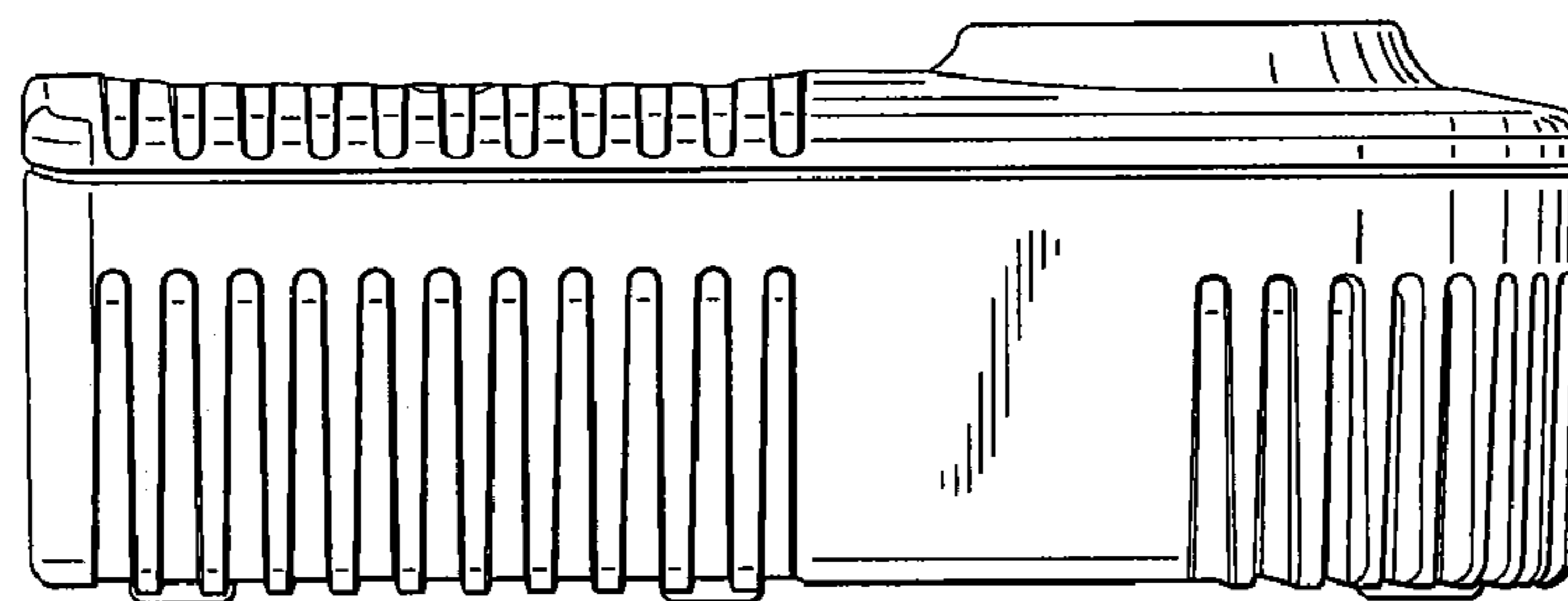


Fig. 14