



US00D583308S

(12) **United States Design Patent**
Ludwig et al.

(10) **Patent No.:** **US D583,308 S**

(45) **Date of Patent:** **** Dec. 23, 2008**

(54) **TIRE**

(75) Inventors: **Kristine Nicole Ludwig**, Akron, OH (US); **Daniel Thomas Murphy**, Mogadore, OH (US); **Richard Louis Galante**, Akron, OH (US); **Max Harold Dixon**, Kent, OH (US); **Paul Keyser Blackiston, III**, Massillon, OH (US); **Richard Winfield Harden, Jr.**, Tallmadge, OH (US); **Walter Lee Welker**, Akron, OH (US); **Carlos Ramon Cipollitti**, Luxembourg (LU); **George Richard Kirk**, Akron, OH (US)

(73) Assignee: **The Goodyear Tire & Rubber Company**, Akron, OH (US)

(**) Term: **14 Years**

(21) Appl. No.: **29/289,307**

(22) Filed: **Jul. 16, 2007**

(51) **LOC (8) Cl.** **12-15**

(52) **U.S. Cl.** **D12/588**

(58) **Field of Classification Search** D12/583-603, D12/900-901; 152/209.1, 209.8-209.18, 152/209.25-209.28, 455

See application file for complete search history.

(56) **References Cited**

U.S. PATENT DOCUMENTS

D384,313 S	9/1997	Harden, Jr.	D12/147
D385,234 S	10/1997	Young	D12/141
D385,235 S	10/1997	Young	D12/141
D388,369 S	12/1997	Harden, Jr.	D12/146
D388,370 S	12/1997	Young et al.	D12/146
D389,107 S	1/1998	Young	D12/147
D397,647 S	9/1998	Young	D12/146
D397,648 S *	9/1998	Allen et al.	D12/588
D423,421 S	4/2000	Young	D12/142

D426,178 S *	6/2000	Weber et al.	D12/588
D448,707 S	10/2001	Maziarka et al.	D12/147
D451,860 S	12/2001	Schuster et al.	D12/147
D455,120 S	4/2002	Dixon et al.	D12/598
D455,709 S	4/2002	Dixon et al.	D12/588
D456,769 S	5/2002	Dixon et al.	D12/600

(Continued)

Primary Examiner—Stacia Cadmus

(74) *Attorney, Agent, or Firm*—Richard B. O’Planick

(57) **CLAIM**

The ornamental design for a tire, as shown and described.

DESCRIPTION

FIG. 1 is a perspective view of a tire showing our new design, it being understood that the pattern repeats uniformly throughout the circumference of the tread;

FIG. 2 is a front elevational view thereof;

FIG. 3 is a right side elevational view thereof; the opposite side elevational view being identical thereto;

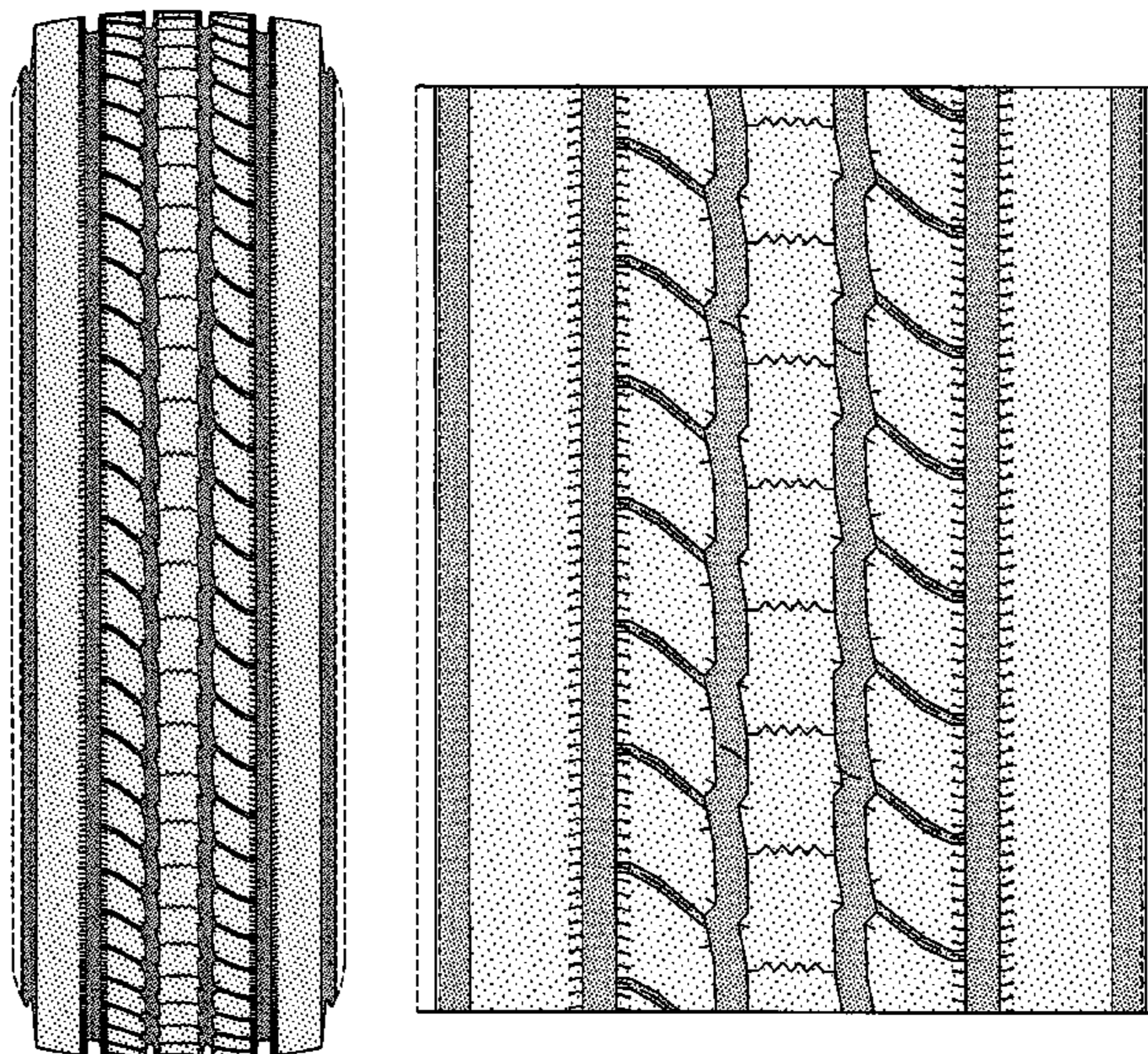
FIG. 4 is an enlarged fragmentary front elevational view thereof;

FIG. 5 is a perspective view of a second embodiment of a tire showing our new design, it being understood that the pattern repeats uniformly throughout the circumference of the tread and that the opposite side perspective view is identical thereto; and,

FIG. 6 is a front elevational view of the second embodiment, it being understood that an enlarged fragmentary view thereof would be substantially identical to that shown in FIG. 4, with the exception of the inclusion of the sidewall in solid lines.

In the drawings, the broken lines defining the sidewall, inner bead and the peripheral boundary between the claimed tire tread and the unclaimed sidewall depict environmental subject matter that forms no part of the claimed design.

1 Claim, 6 Drawing Sheets



US D583,308 S

Page 2

U.S. PATENT DOCUMENTS

D458,897 S *	6/2002	Weber et al.	D12/588	D492,646 S	7/2004	Robert et al.	D12/600
D459,696 S	7/2002	Robert et al.	D12/594	D502,444 S *	3/2005	Wage	D12/588
D461,162 S	8/2002	Young et al.	D12/595	D503,145 S *	3/2005	Labbe et al.	D12/588
D464,025 S *	10/2002	Okano	D12/588	D531,115 S *	10/2006	Ikeda	D12/588
D472,204 S *	3/2003	Kemp et al.	D12/588	D531,572 S *	11/2006	Schmalix et al.	D12/588
D481,670 S	11/2003	Harden, Jr. et al.	D12/595	D554,053 S *	10/2007	Feider et al.	D12/588
D481,992 S	11/2003	Harden, Jr. et al.	D12/595	D555,081 S *	11/2007	Feider et al.	D12/588
D483,007 S *	12/2003	Brayer et al.	D12/588	D561,685 S *	2/2008	Lee	D12/588

* cited by examiner

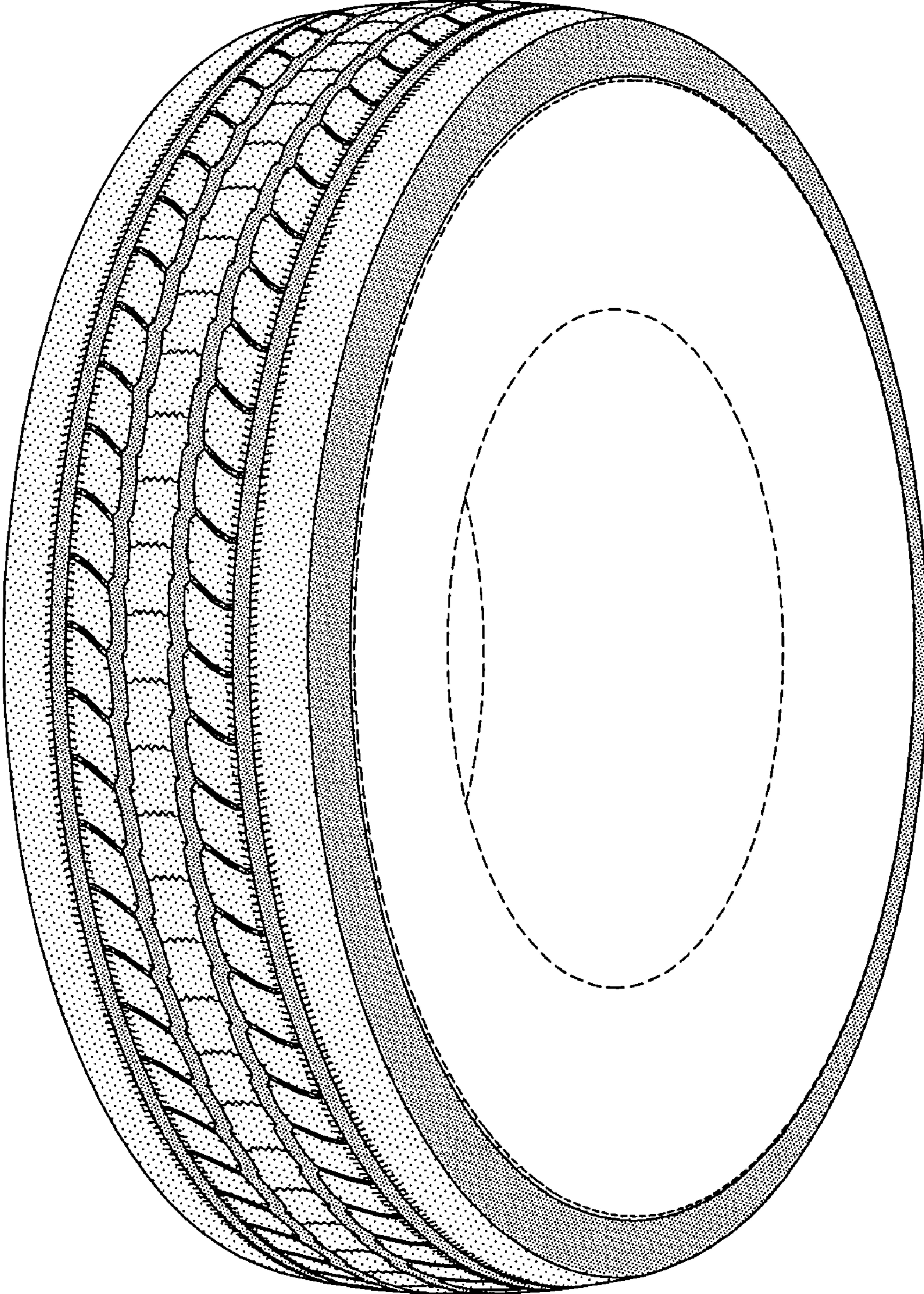


FIG-1

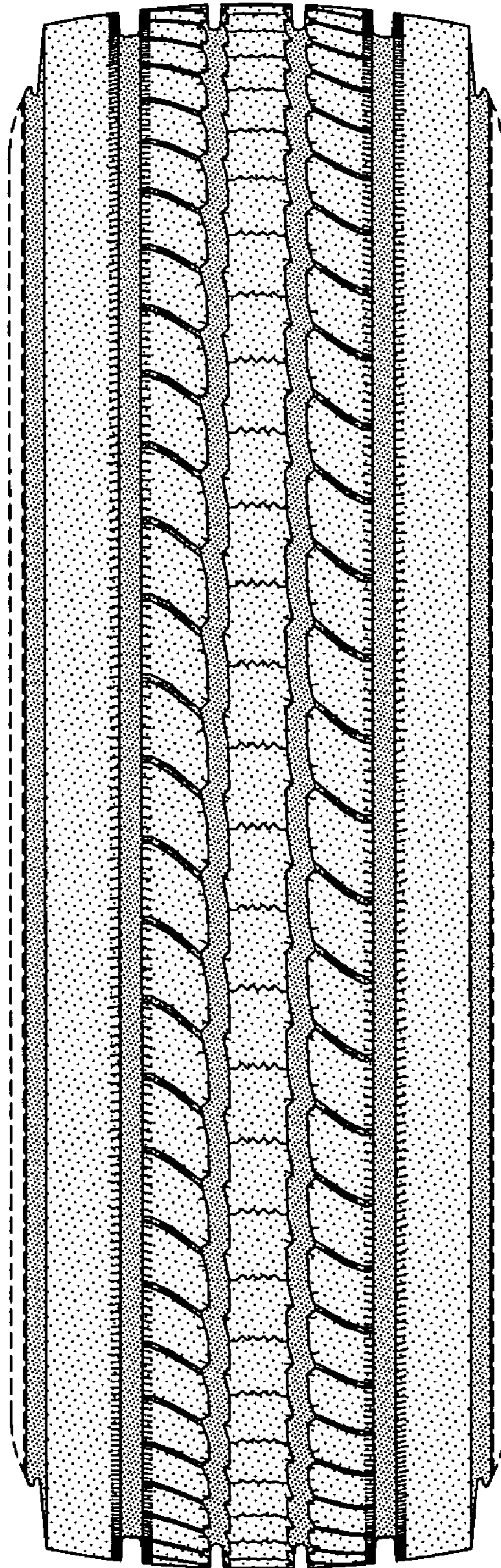


FIG-2

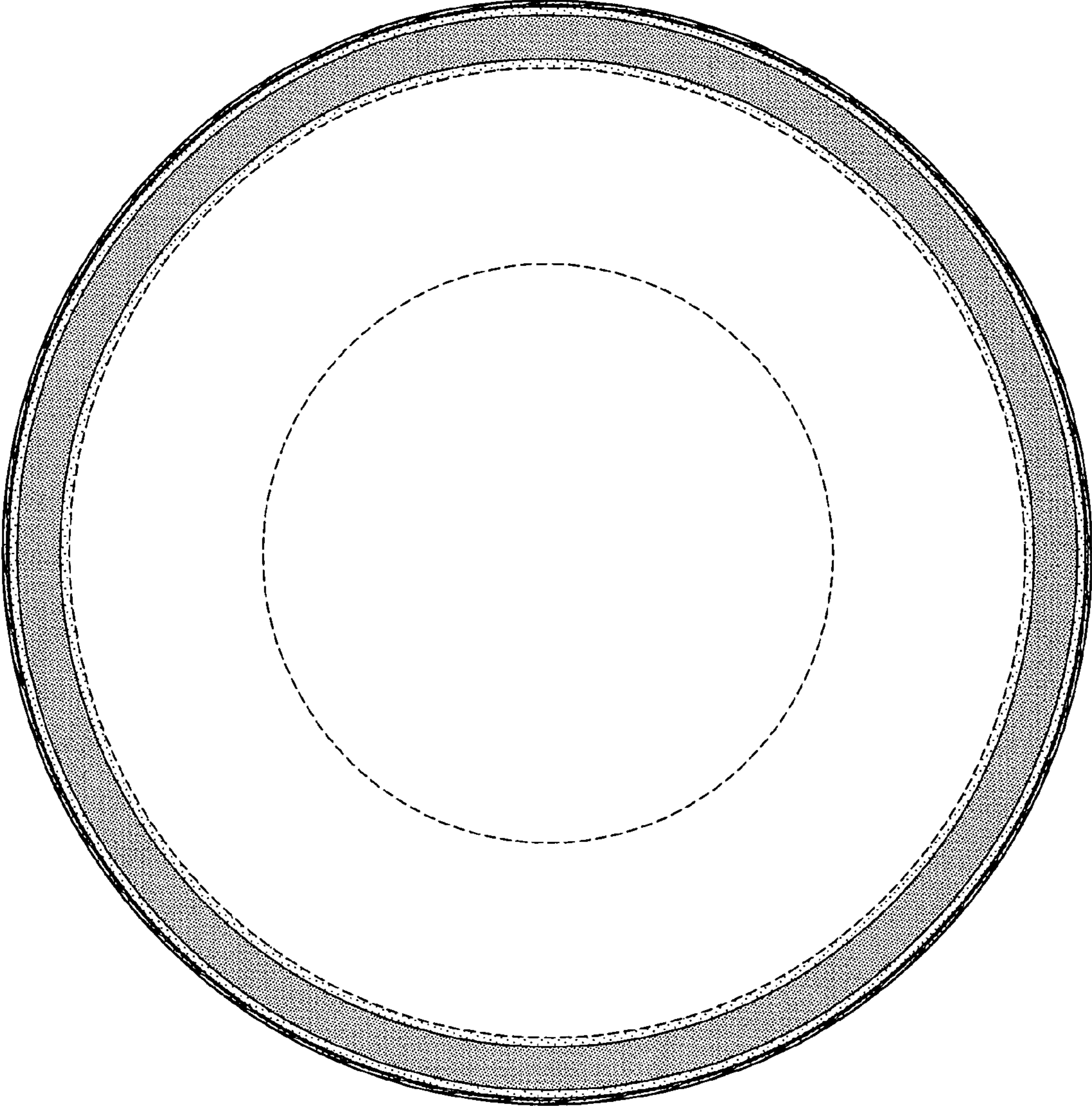


FIG-3

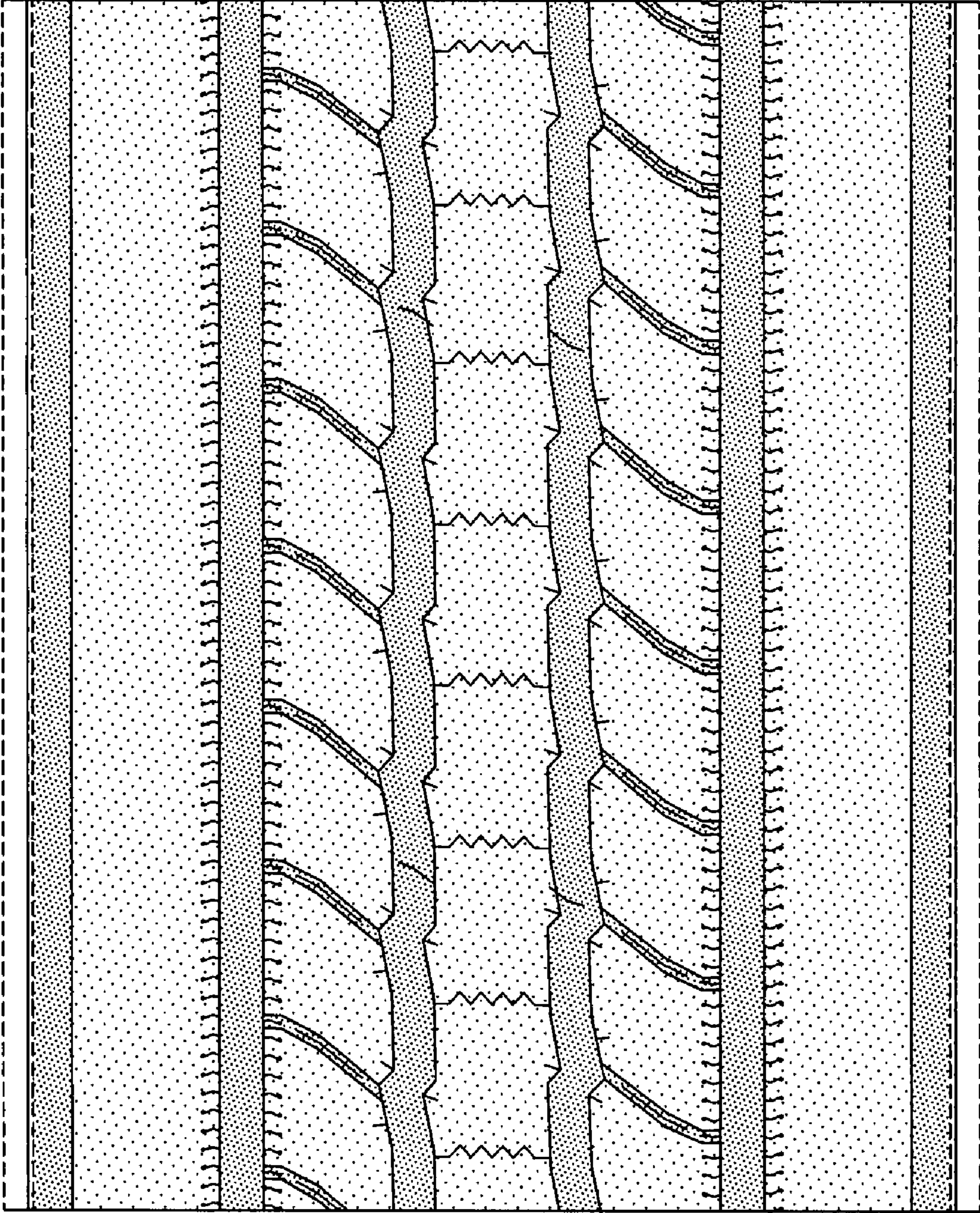


FIG-4

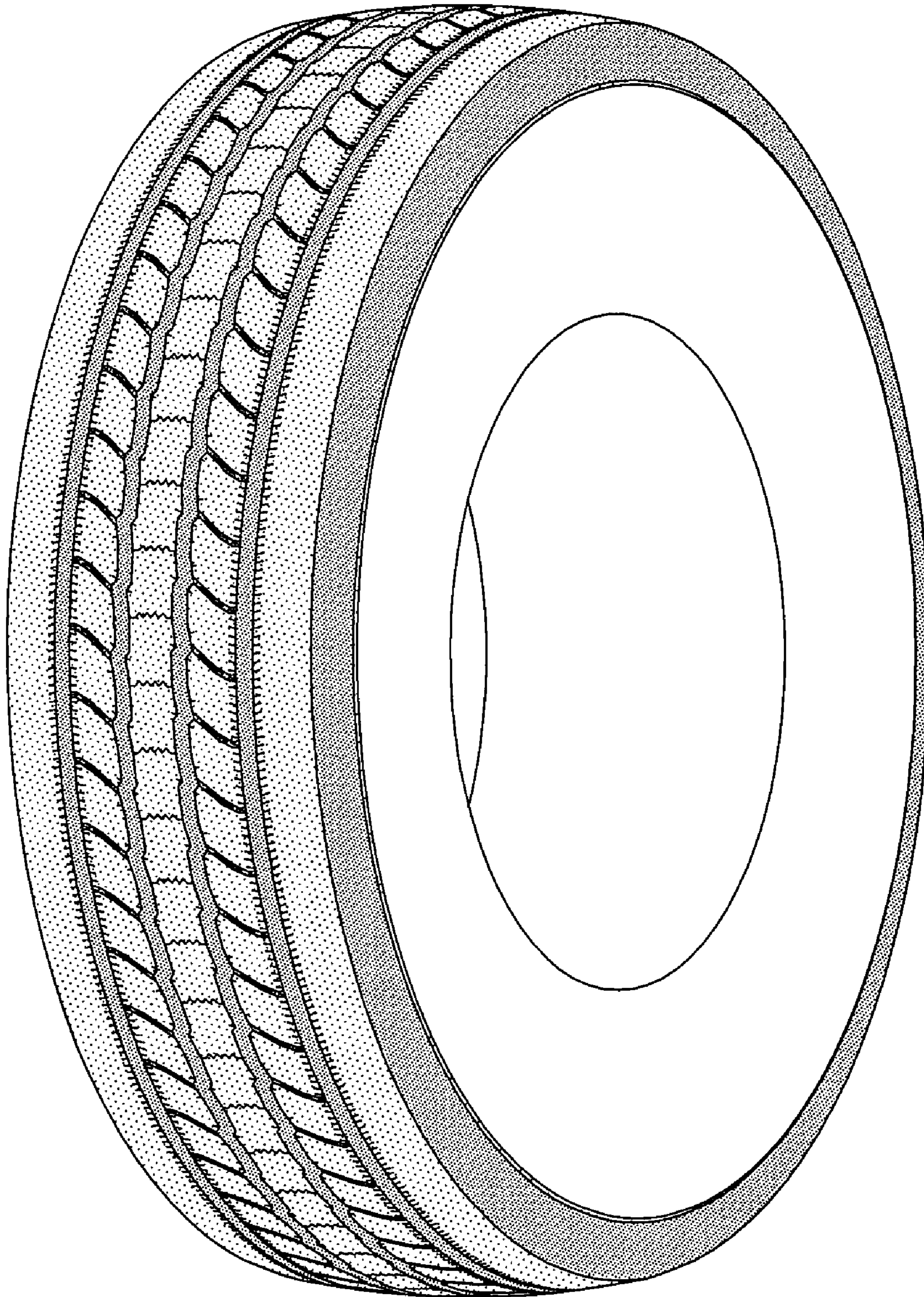


FIG-5

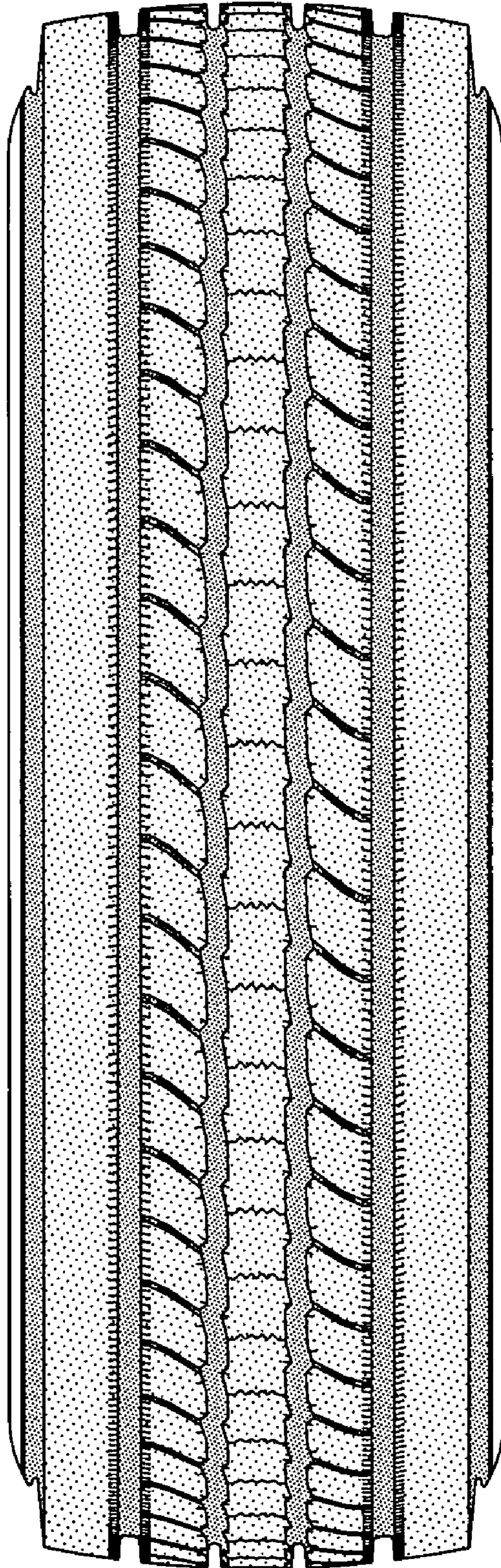


FIG-6