



US00D583300S

(12) **United States Design Patent**
Rancati

(10) **Patent No.:** **US D583,300 S**
(45) **Date of Patent:** **** Dec. 23, 2008**

(54) **WHEEL FOR PUSHCHAIR**
(75) Inventor: **Cristian Rancati**, Monte Cremasco (IT)
(73) Assignee: **Lara Maria Rancati**, Monte Cremasco (IT)
(**) Term: **14 Years**
(21) Appl. No.: **29/290,396**
(22) Filed: **Nov. 30, 2007**

7,234,722 B1 * 6/2007 Madigan et al. 280/642
D558,099 S * 12/2007 Yang D12/129
D566,013 S * 4/2008 Wang D12/129
7,364,171 B2 * 4/2008 Hu 280/47.38
7,367,581 B2 * 5/2008 Yang 280/642

* cited by examiner

Primary Examiner—Charles A. Rademaker
Assistant Examiner—Charles D Hanson
(74) *Attorney, Agent, or Firm*—Modiano & Associati; Albert Josif; Daniel J. O’Byrne

(30) **Foreign Application Priority Data**
Jun. 15, 2007 (EM) 000742655
(51) **LOC (8) Cl.** **12-12**
(52) **U.S. Cl.** **D12/501; D12/133**
(58) **Field of Classification Search** D12/128–133,
D12/500, 501; 280/37, 62, 647–650, 29,
280/200, 47.4, 47.38, 250.1, 259, 642, 658,
280/644; 297/30, 130, DIG. 4; 296/65.3,
296/65.4; 224/409
See application file for complete search history.

(57) **CLAIM**

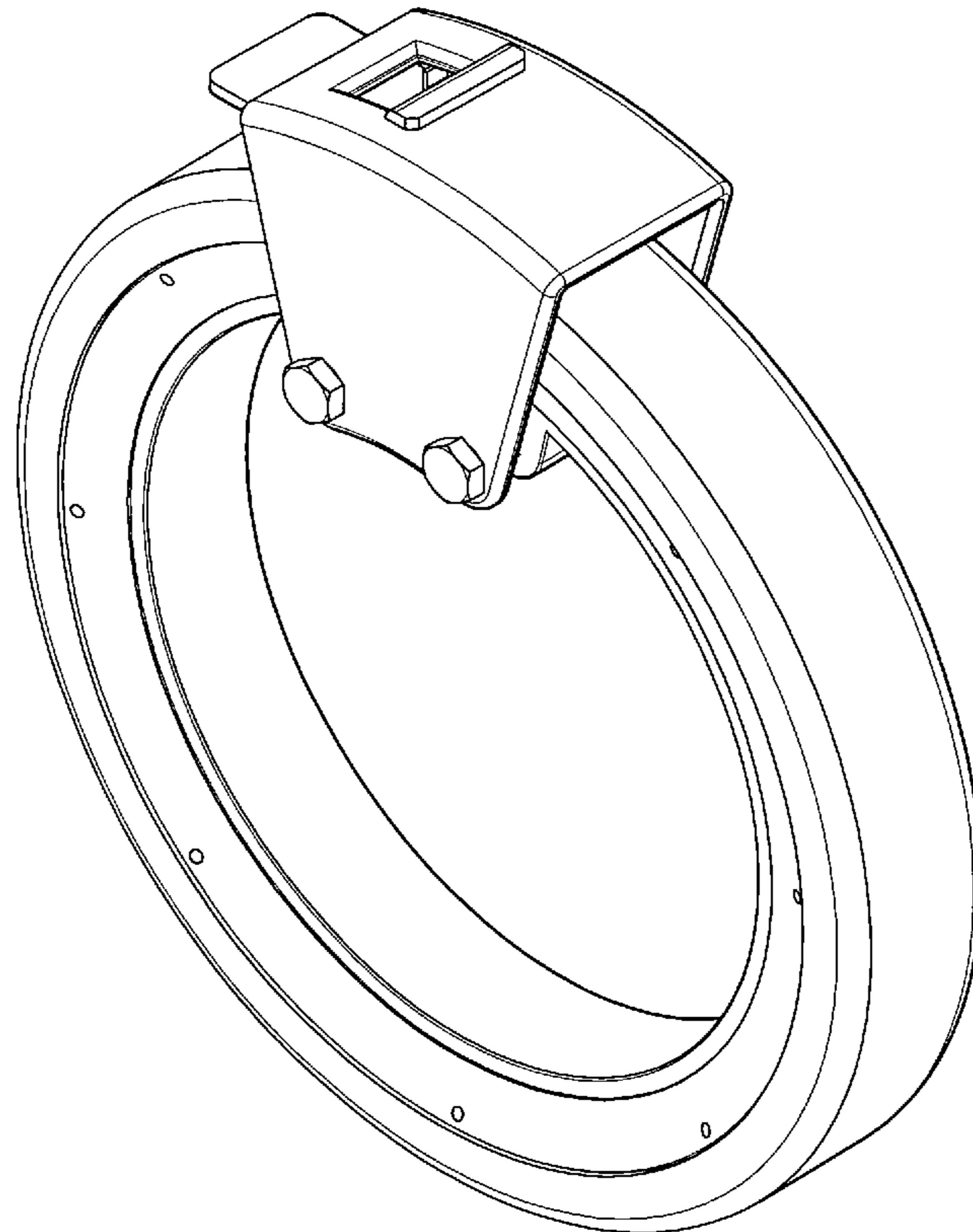
The ornamental design for wheel for pushchair, as shown and described.

DESCRIPTION

FIG. 1 is a perspective view of a wheel for pushchair showing my new design;
FIG. 2 is a front view thereof;
FIG. 3 is a rear view thereof;
FIG. 4 is a left side view thereof;
FIG. 5 is a right side view thereof;
FIG. 6 is a top plan view thereof; and,
FIG. 7 is a bottom plan view thereof.

(56) **References Cited**
U.S. PATENT DOCUMENTS
6,513,827 B1 * 2/2003 Barenbrug 280/648
7,021,651 B2 * 4/2006 Lan 280/642
7,032,922 B1 * 4/2006 Lan 280/648

1 Claim, 5 Drawing Sheets



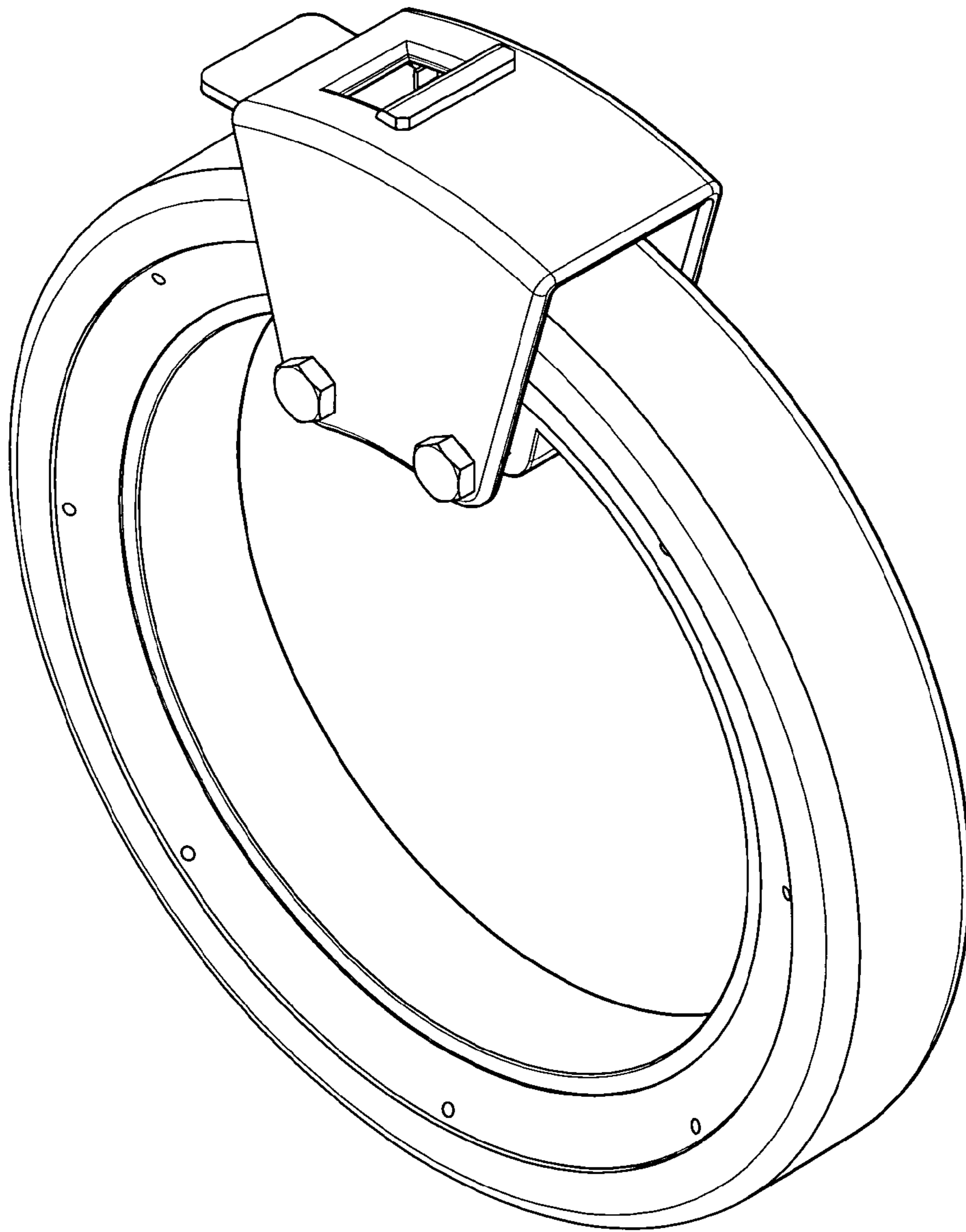


Fig. 1

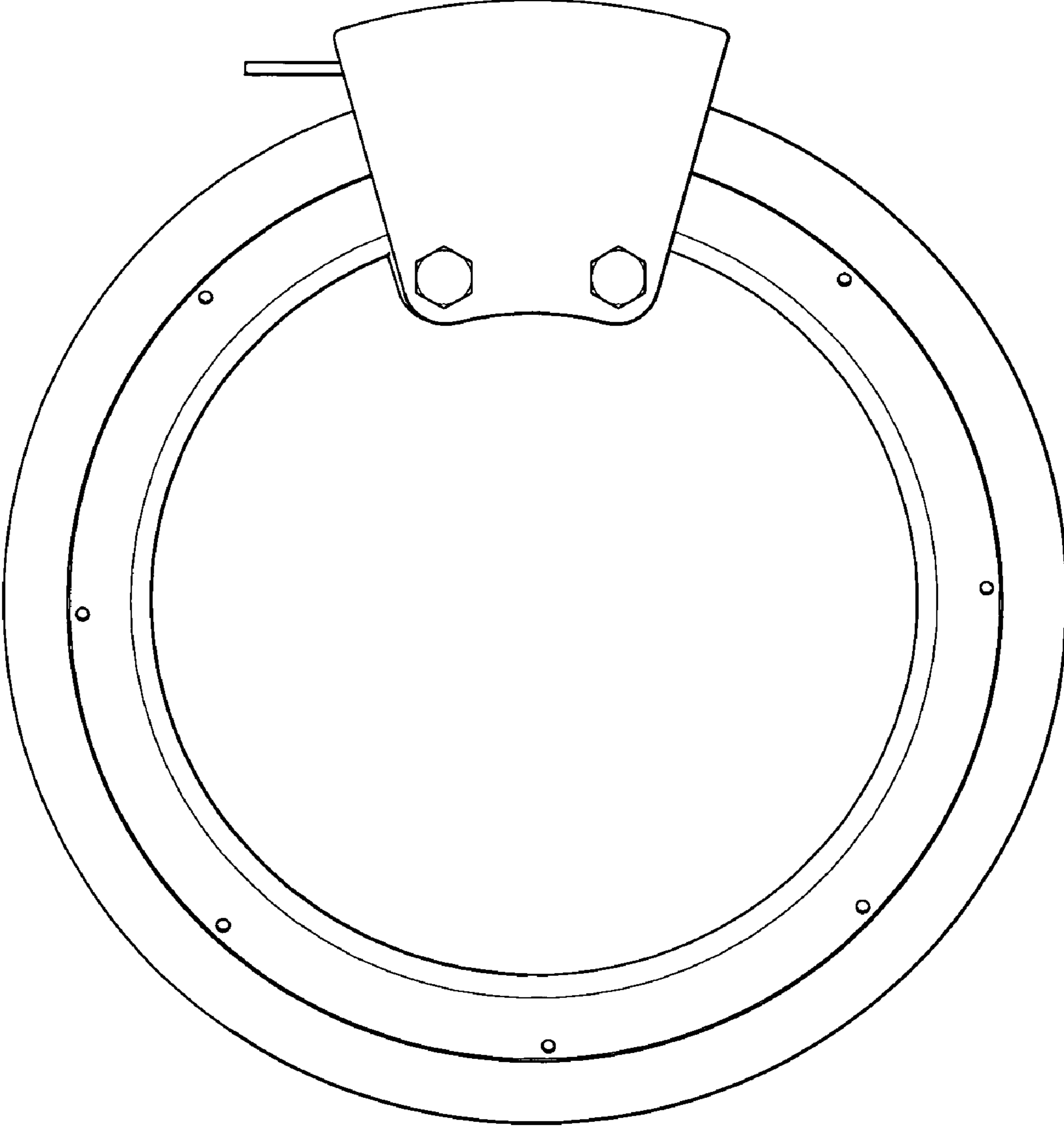


Fig. 2

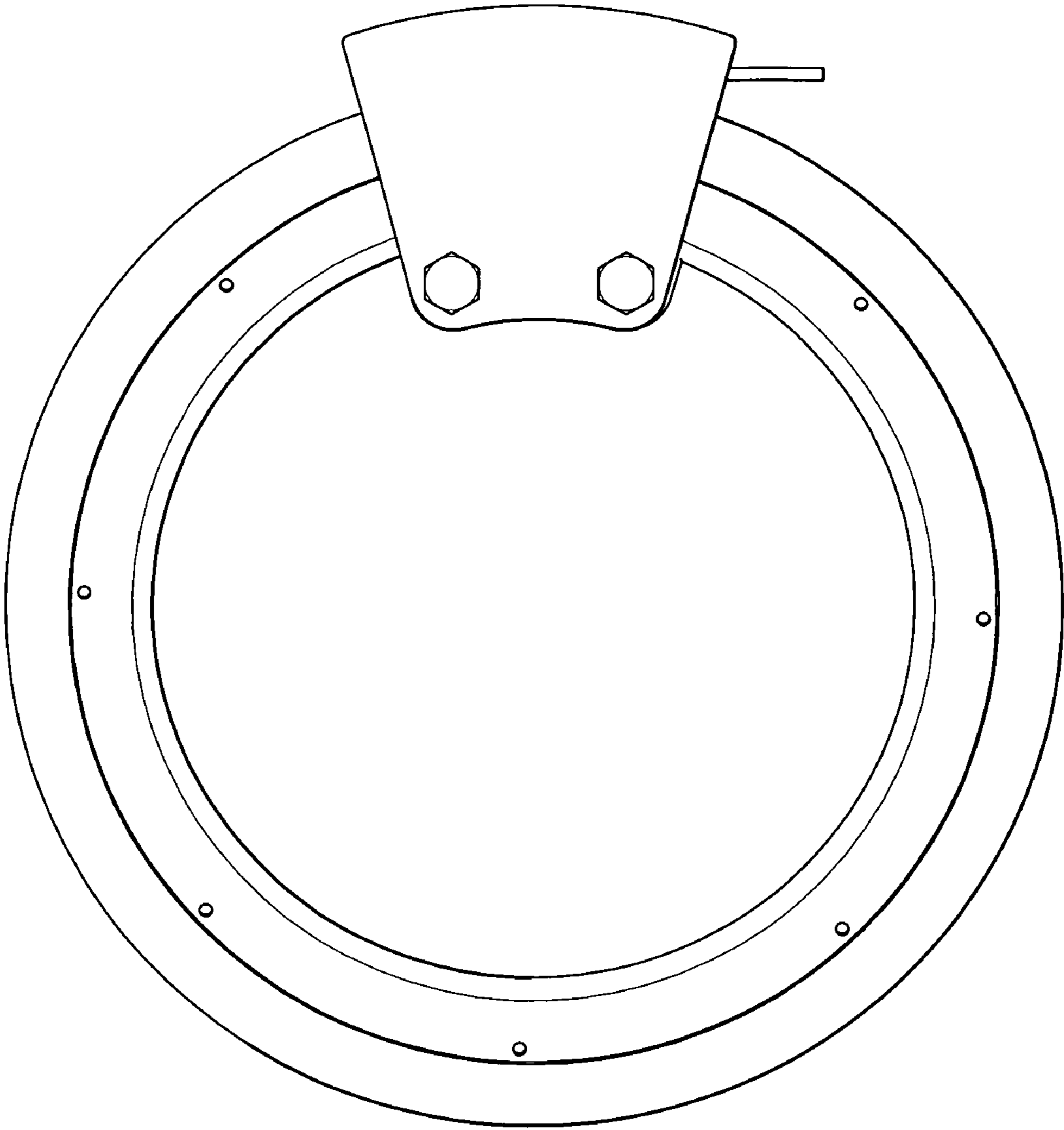


Fig. 3

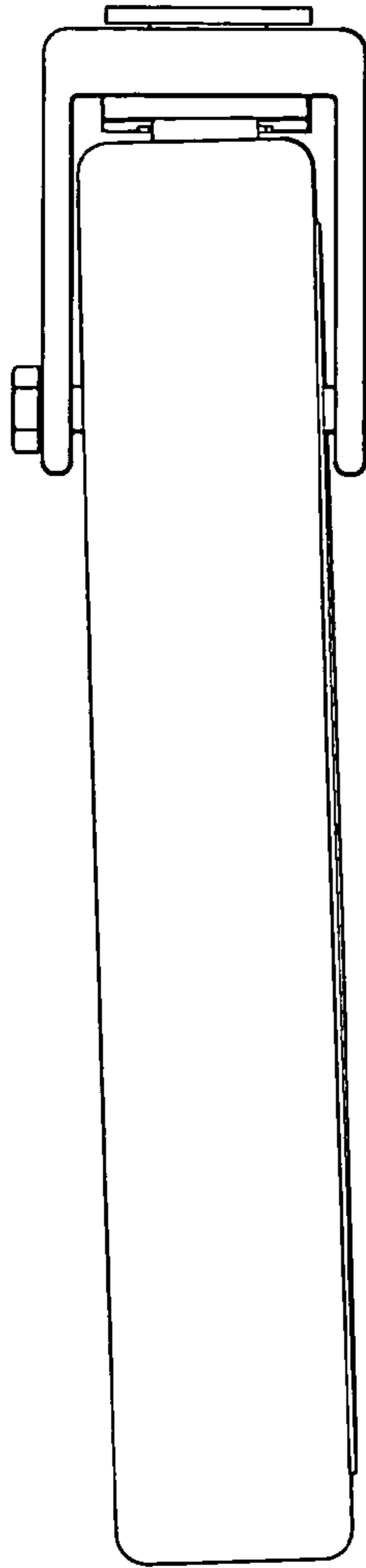


Fig. 4

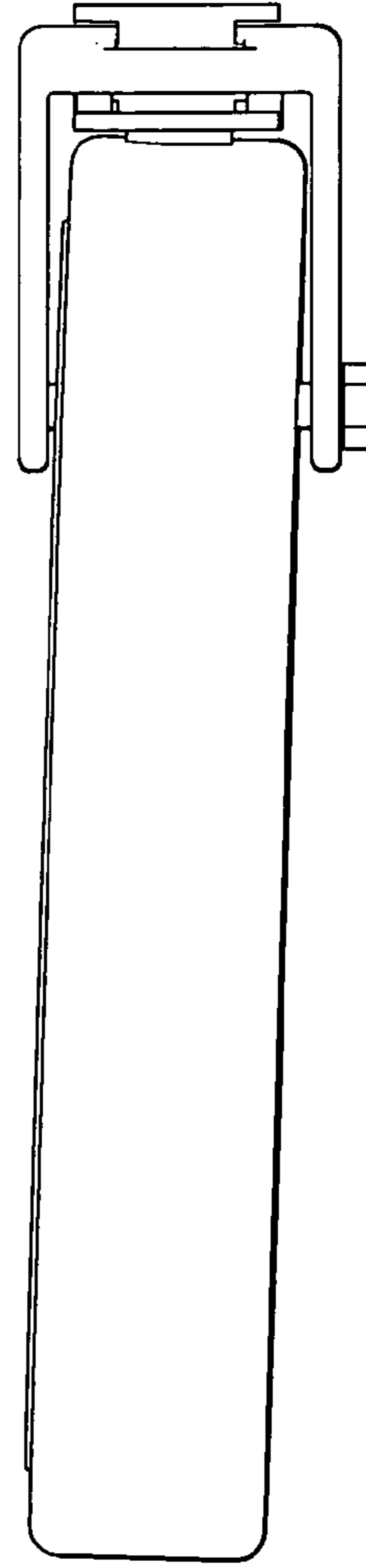


Fig. 5

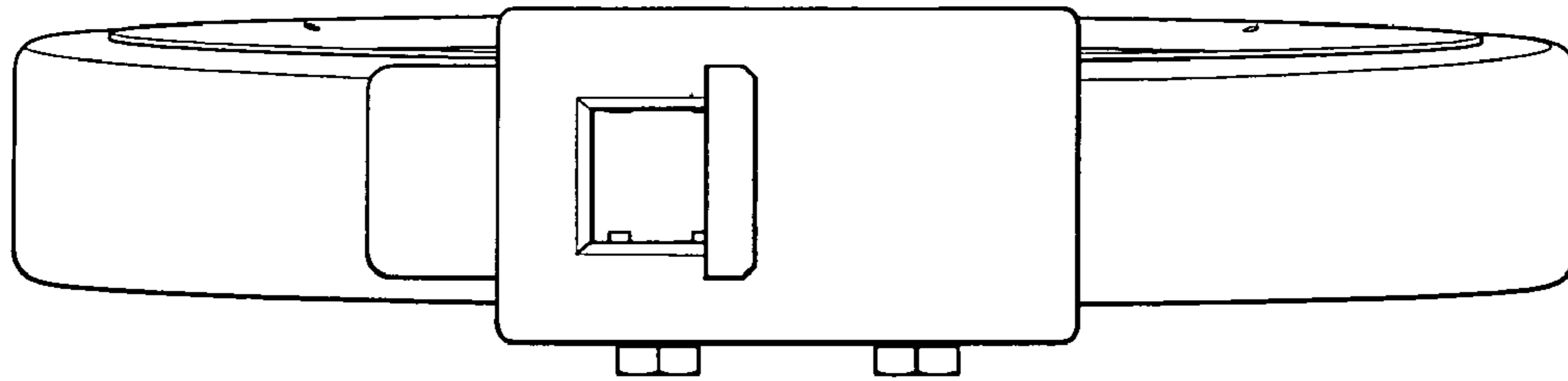


Fig. 6

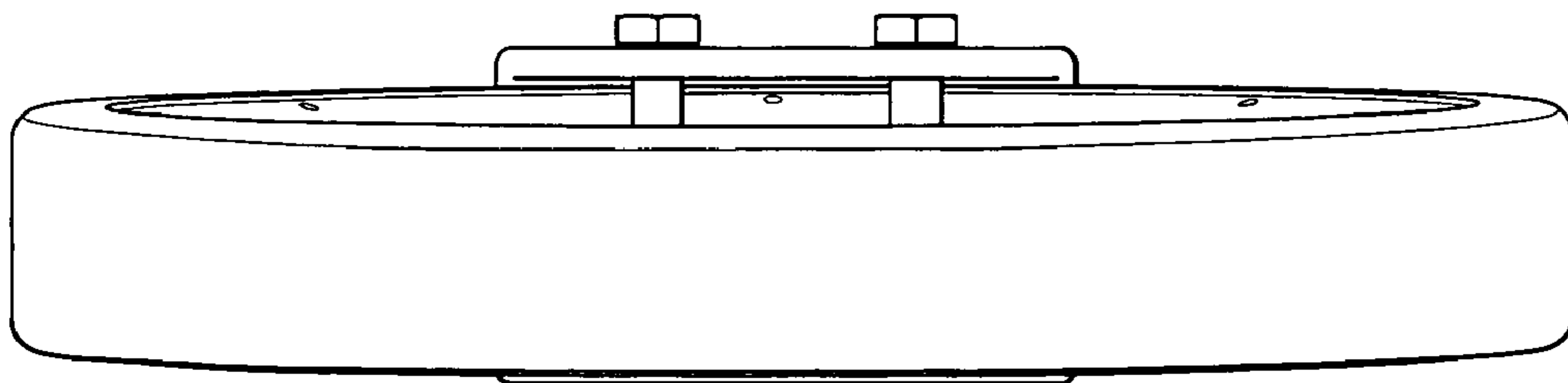


Fig. 7