



US00D583295S

(12) **United States Design Patent**
Au

(10) **Patent No.:** **US D583,295 S**
(45) **Date of Patent:** **** Dec. 23, 2008**

(54) **PLANE**

(75) Inventor: **Chin Kau Au**, Hong Kong (HK)

(73) Assignee: **Silverlit Toys Manufactory Ltd.**, Hong Kong (HK)

(**) Term: **14 Years**

(21) Appl. No.: **29/276,905**

(22) Filed: **Feb. 8, 2007**

(30) **Foreign Application Priority Data**

Aug. 10, 2006 (HK) 0602113

(51) **LOC (8) Cl.** **12-07**

(52) **U.S. Cl.** **D12/343**

(58) **Field of Classification Search** D12/319-345;
244/35 R, 45 R, 118.5, 119, 130, 13, 15,
244/55, 65, 211, 218, 91, 198, 46; D21/447,
D21/448

See application file for complete search history.

(56) **References Cited**

U.S. PATENT DOCUMENTS

D214,597 S * 7/1969 Cathers et al. D12/340
D358,577 S * 5/1995 Sutter et al. D12/337

D491,875 S * 6/2004 Eatkins et al. D12/319
D499,688 S * 12/2004 Atkinson et al. D12/319
D515,013 S * 2/2006 Eatkins et al. D12/319
D529,857 S * 10/2006 Eakins et al. D12/319
D537,029 S * 2/2007 Eakins et al. D12/319

* cited by examiner

Primary Examiner—Ian Simmons

Assistant Examiner—Maurice Stevens

(74) *Attorney, Agent, or Firm*—Greenberg Traurig, LLP

(57) **CLAIM**

The ornamental design for a plane, as shown and described.

DESCRIPTION

FIG. 1 is a front view of a plane;

FIG. 2 is a rear view of the plane;

FIG. 3 is a right side view of the plane;

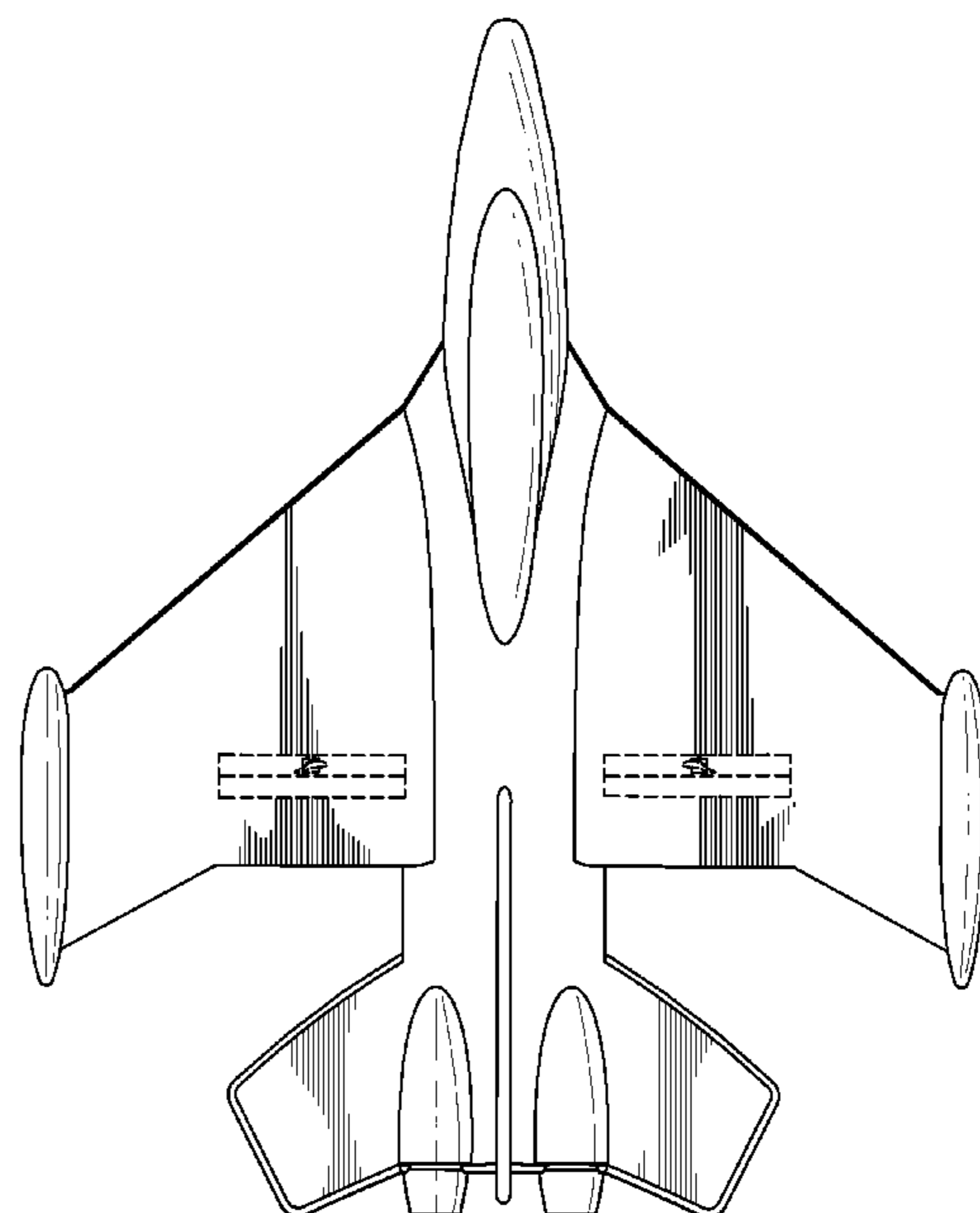
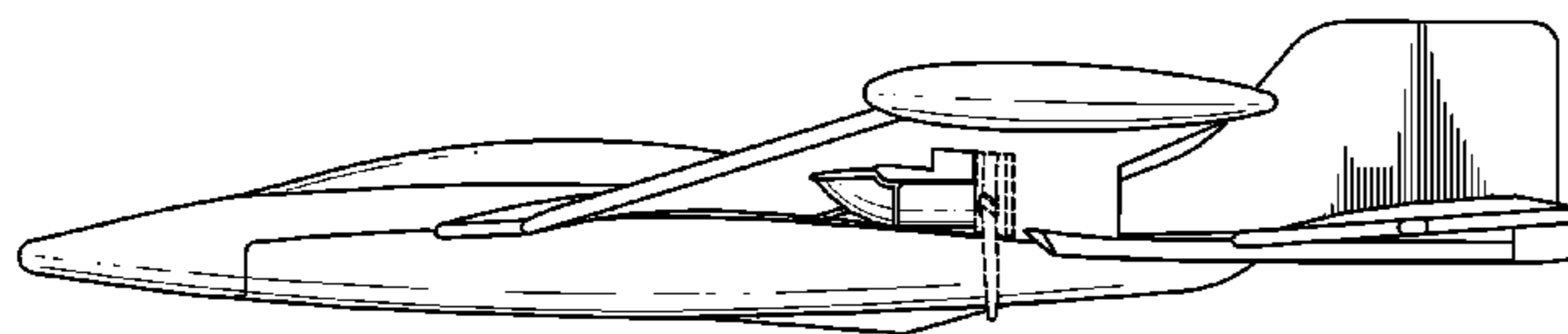
FIG. 4 is a left side view of the plane;

FIG. 5 is a top view of the plane; and,

FIG. 6 is a bottom view of the plane.

The broken lines shown in the figures is included for the purpose of illustrating environment and form no part of the claimed design.

1 Claim, 4 Drawing Sheets



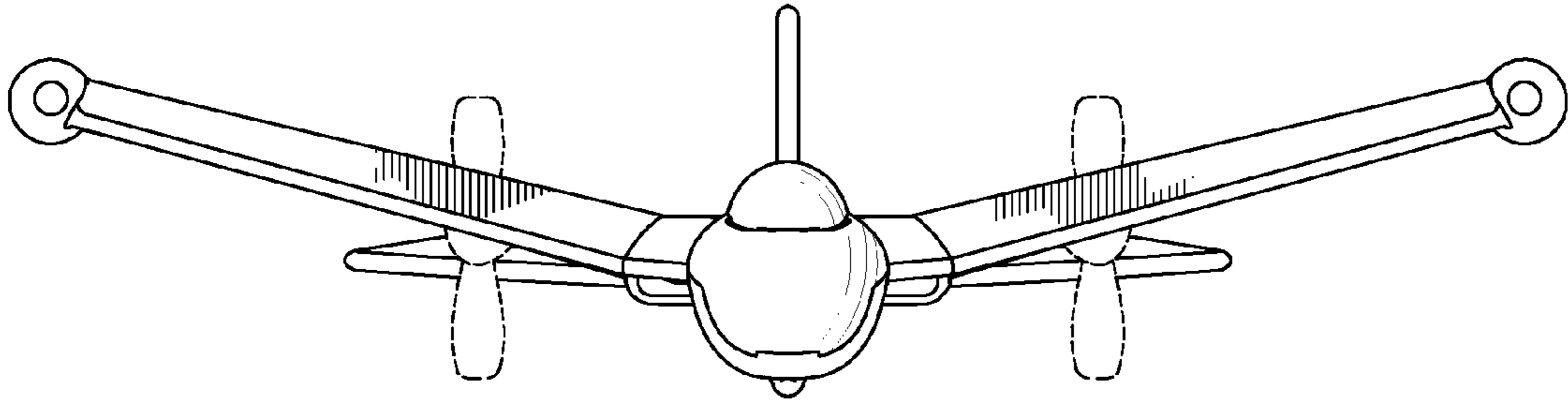


FIG. 1

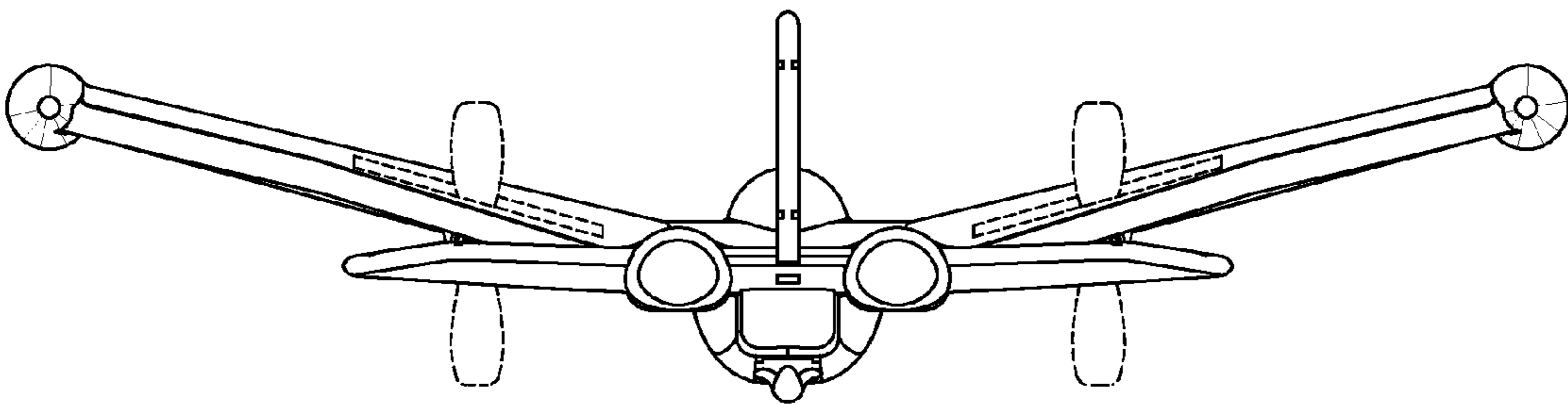


FIG. 2



FIG. 3

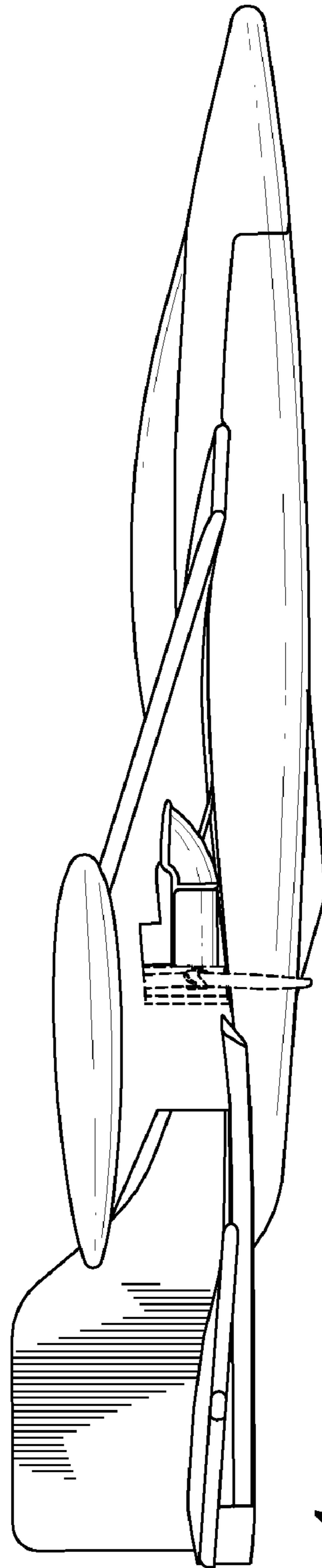


FIG. 4

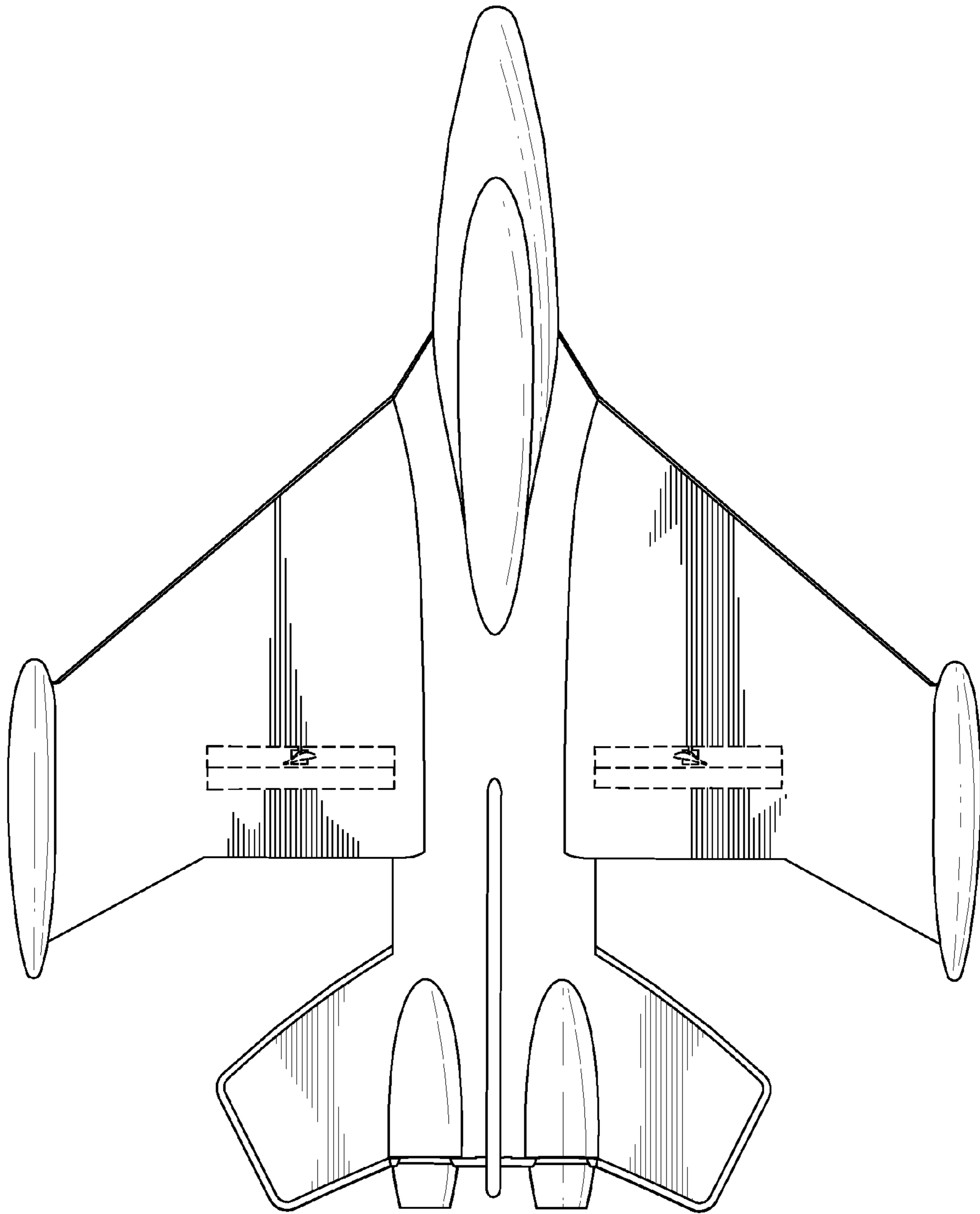


FIG. 5

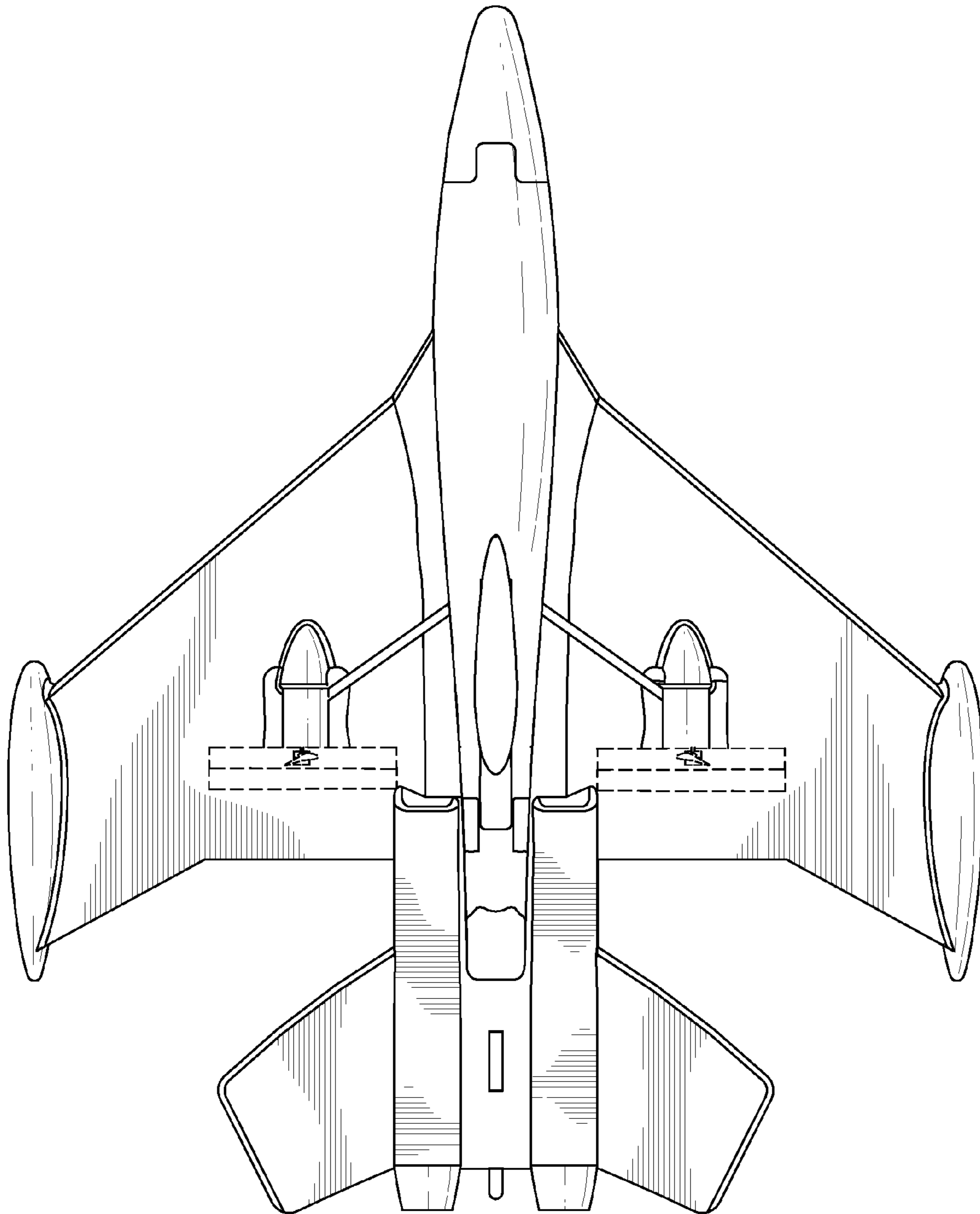


FIG. 6