

US00D583293S

(12) **United States Design Patent**  
**Frost**

(10) **Patent No.:** **US D583,293 S**  
(45) **Date of Patent:** **\*\* Dec. 23, 2008**

(54) **FLEXIBLE AIRFOIL AIRCRAFT**

(76) Inventor: **Douglas F. Frost**, 12366 Poplar Rd.,  
Auburn, CA (US) 95602

(\*\*) Term: **14 Years**

(21) Appl. No.: **29/269,642**

(22) Filed: **Dec. 6, 2006**

(51) **LOC (8) Cl.** ..... **12-07**

(52) **U.S. Cl.** ..... **D12/319**

(58) **Field of Classification Search** ..... D12/319–345;  
D21/436, 441–444, 450, 451; 446/34–68;  
473/569–571; 244/12.2, 158.3, 171.6, 173.1,  
244/169, 900, 902

See application file for complete search history.

(56) **References Cited**

**U.S. PATENT DOCUMENTS**

2,939,648 A	6/1960	Fleissner	
D197,447 S	2/1964	Friedrich	
3,135,483 A	6/1964	Girard	
3,140,842 A	7/1964	Craigo et al.	
3,193,214 A	7/1965	Hollingsworth	
3,321,156 A	5/1967	McMasters	
3,361,388 A	1/1968	Girard et al.	
3,432,120 A	3/1969	Guerrero	
3,469,804 A	9/1969	Rowan	
3,514,053 A	5/1970	McGuinness	
D251,927 S *	5/1979	Sun	D21/444
4,214,720 A	7/1980	DeSautel	
D260,786 S *	9/1981	Chaklos	D21/443
D261,538 S *	10/1981	Sides	D21/441
4,440,366 A *	4/1984	Keeler et al.	244/138 R
4,875,642 A	10/1989	Flynn	
4,930,724 A	6/1990	Snyder	
4,934,630 A	6/1990	Snyder	
D326,873 S *	6/1992	Chang	D21/451
D346,626 S *	5/1994	St. Lawrence	D21/443
6,360,991 B1	3/2002	Alan	
D484,452 S *	12/2003	Brunner	D12/325
D486,776 S *	2/2004	Carr	D12/319
D487,048 S *	2/2004	Brunner	D12/325
D493,411 S *	7/2004	Fong	D12/319

D496,695 S *	9/2004	Davis	D21/444
D500,008 S *	12/2004	Bulaga	D12/345
D501,517 S *	2/2005	Vodhanel, Jr.	D21/443
D541,206 S *	4/2007	Brunner	D12/325
D543,928 S *	6/2007	Sanders et al.	D12/319
7,338,016 B2 *	3/2008	Berland	244/152
D569,332 S *	5/2008	Brunner	D12/325
2003/0122033 A1	7/2003	Gao	
2005/0230521 A1	10/2005	Medsker et al.	

**FOREIGN PATENT DOCUMENTS**

DE 3510587 9/1986

**OTHER PUBLICATIONS**

Website, <http://www.blueridgeairlines.com/new115296.html>,  
“Haynes Saucer 711,” twelve sheets printed from the internet on Sep.  
14, 2006.

\* cited by examiner

*Primary Examiner*—Ian Simmons

*Assistant Examiner*—Maurice Stevens

(74) *Attorney, Agent, or Firm*—Richard C. Litman

(57) **CLAIM**

The ornamental design for a flexible airfoil aircraft, as shown  
and described.

**DESCRIPTION**

FIG. 1 is an environmental perspective view of a first embodi-  
ment of a flexible airfoil aircraft, showing my new design;

FIG. 2 is a front elevational view thereof;

FIG. 3 is a rear elevational view thereof;

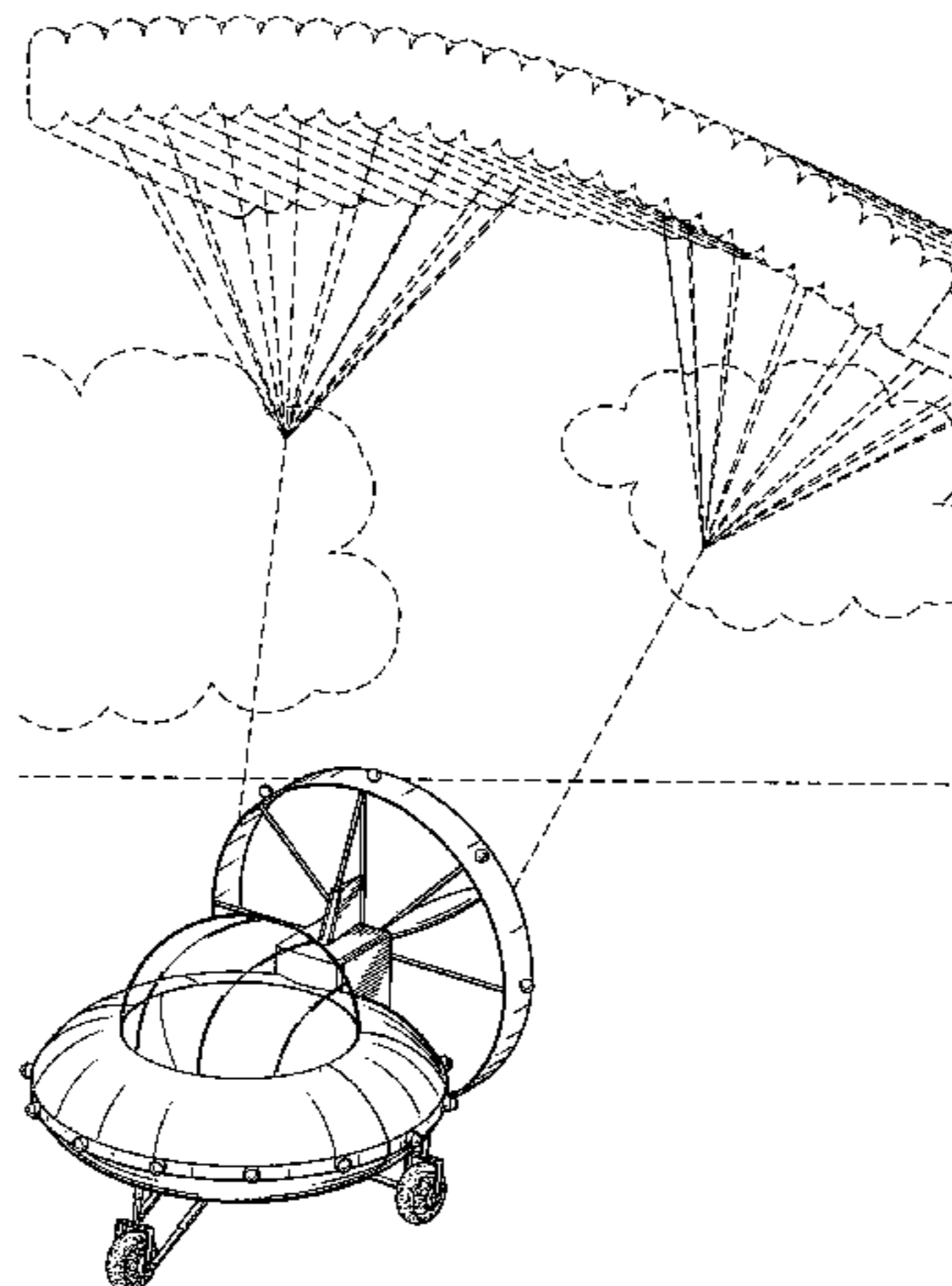
FIG. 4 is a top plan view thereof;

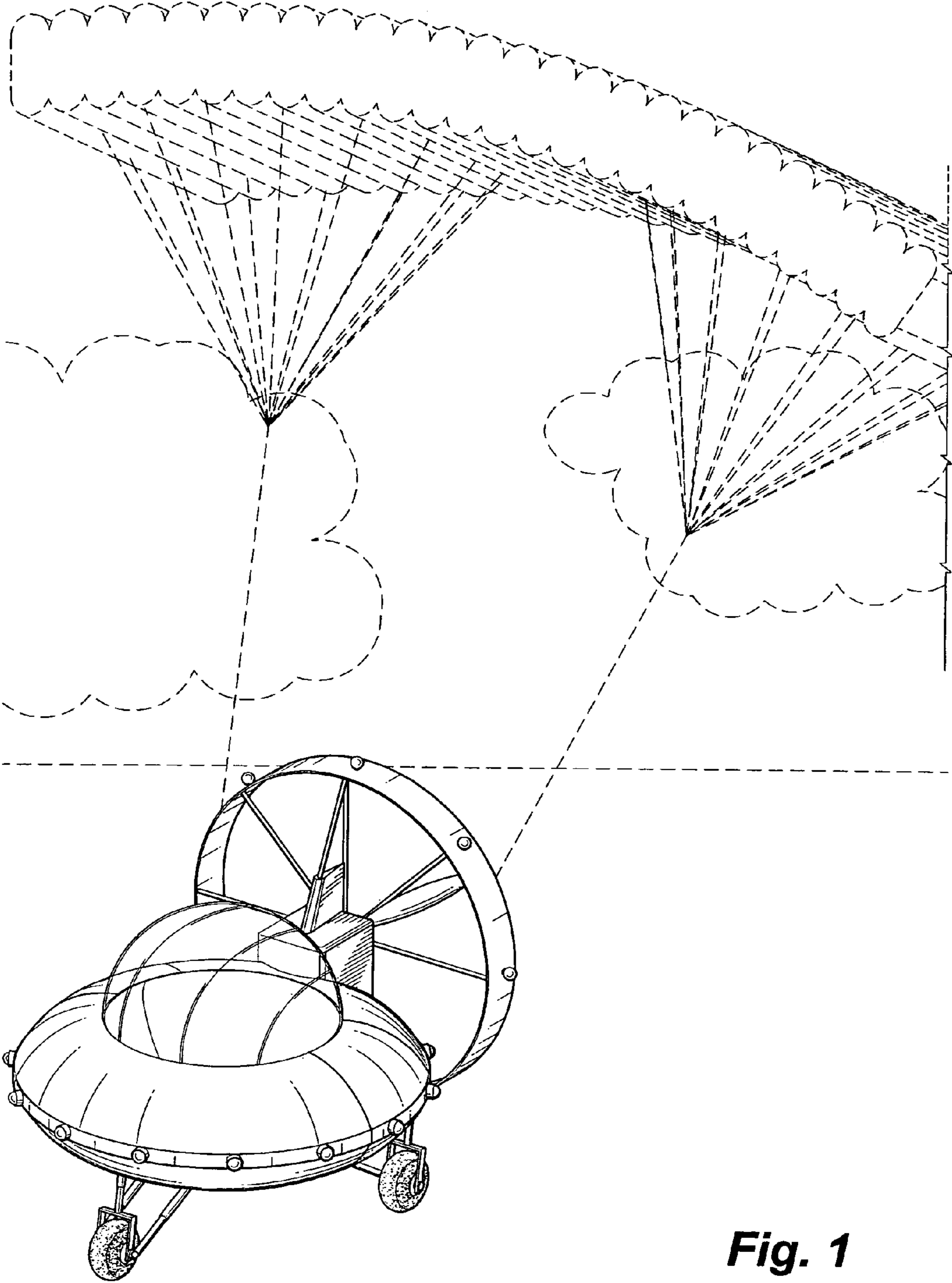
FIG. 5 is a left side elevational view, the right side being a  
mirror image thereof; and,

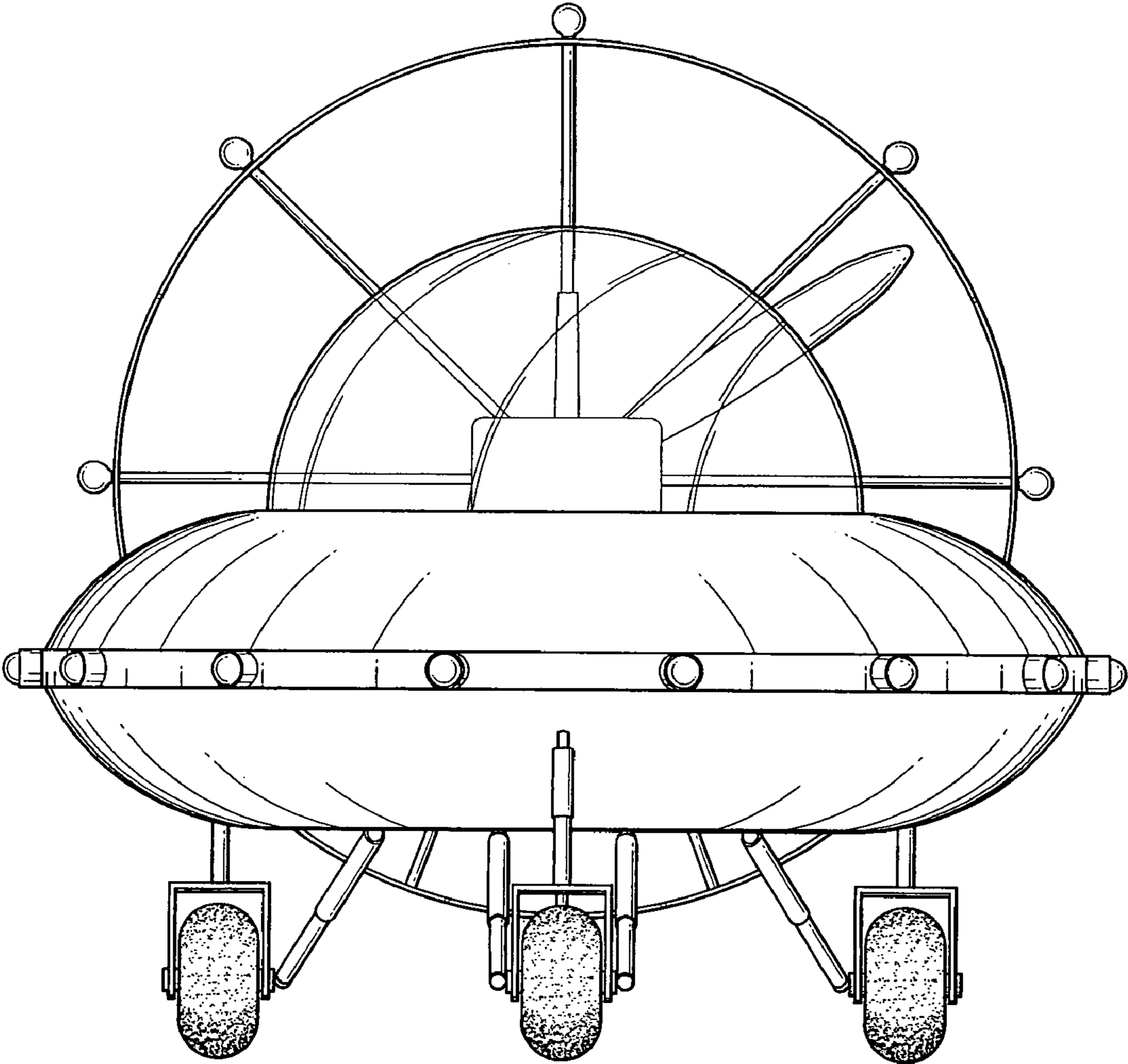
FIG. 6 is a bottom plan view thereof.

The broken line showing of a flexible airfoil and background  
in FIG. 1 is for illustrative purposes only and forms no part of  
the claimed design.

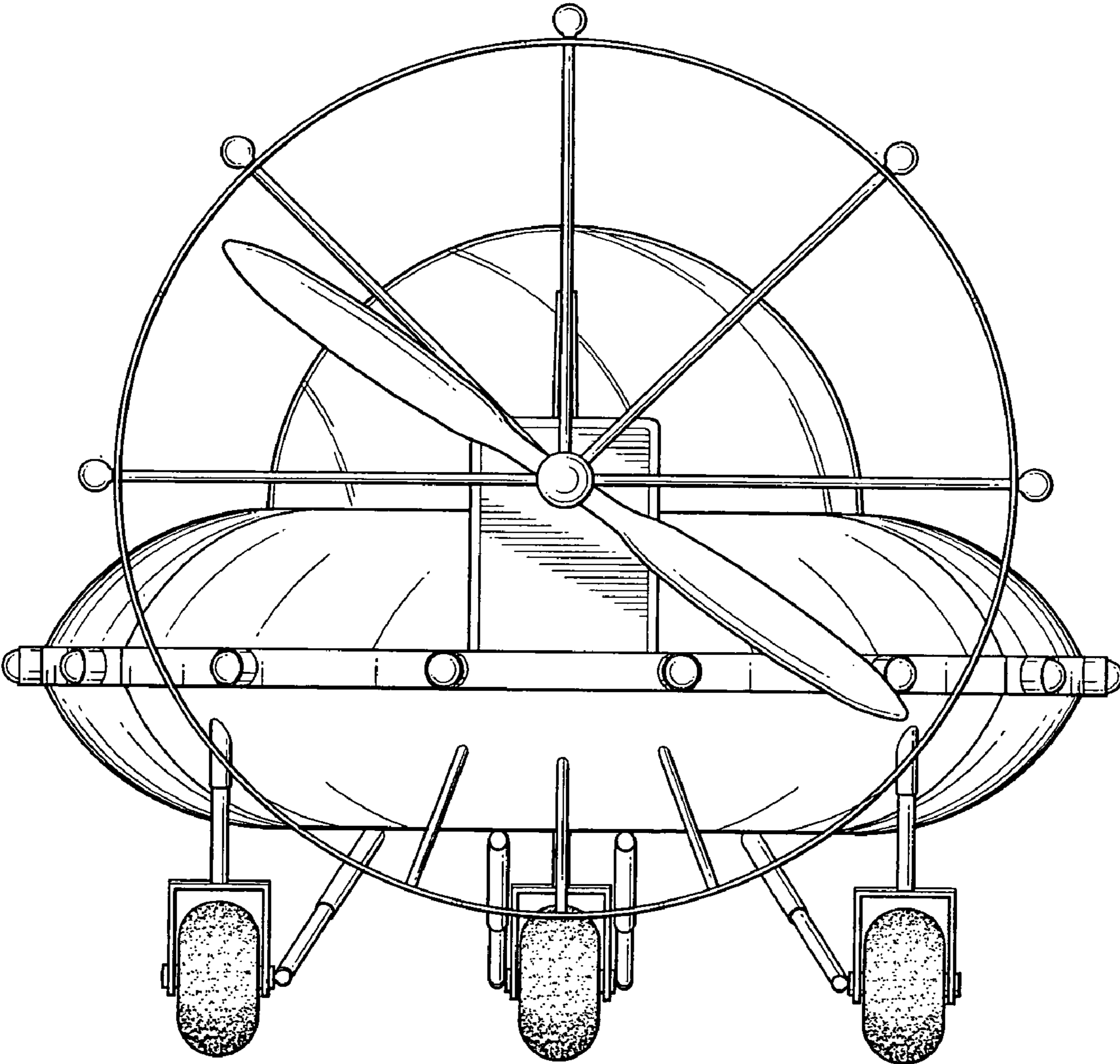
**1 Claim, 6 Drawing Sheets**



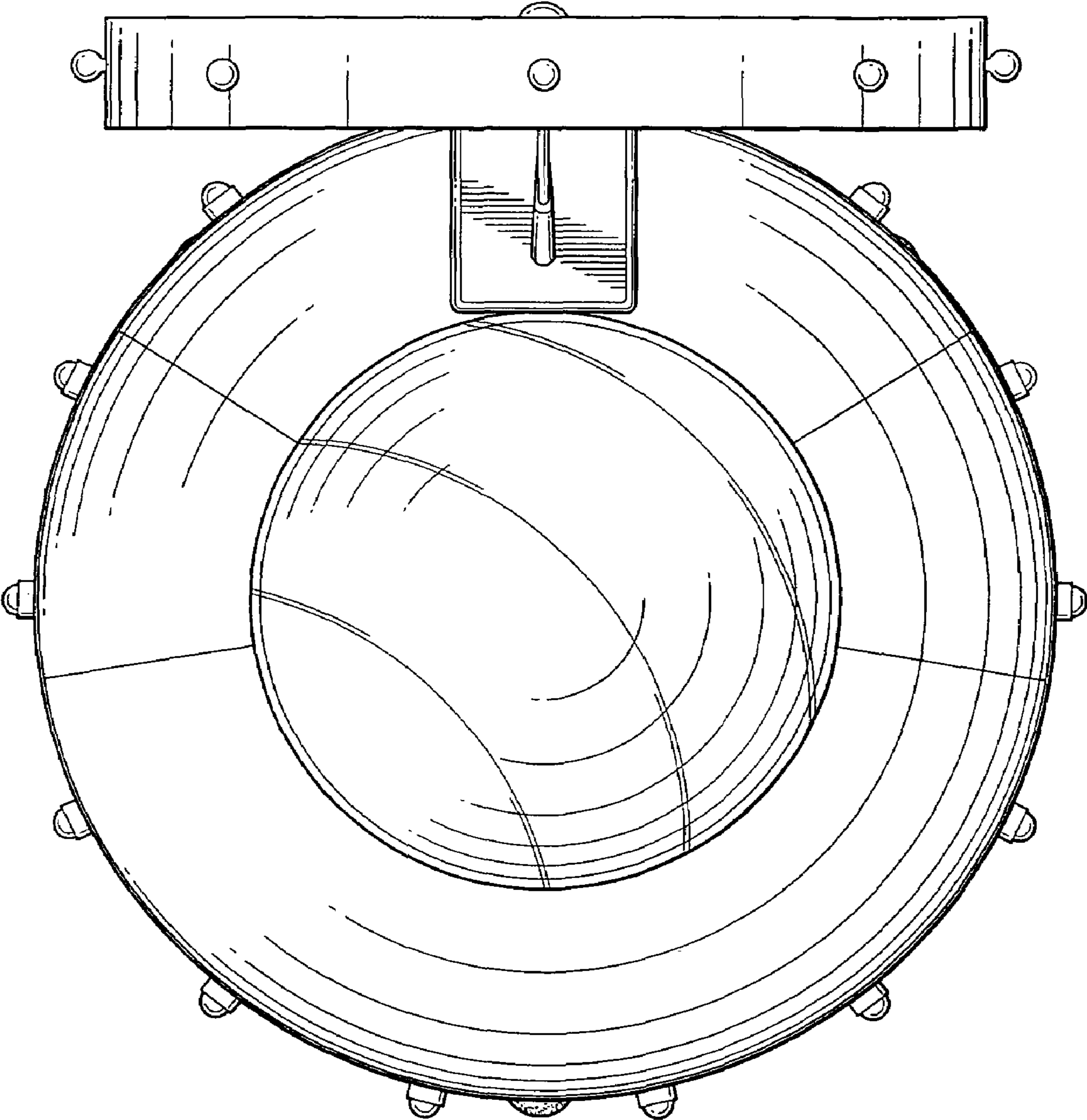




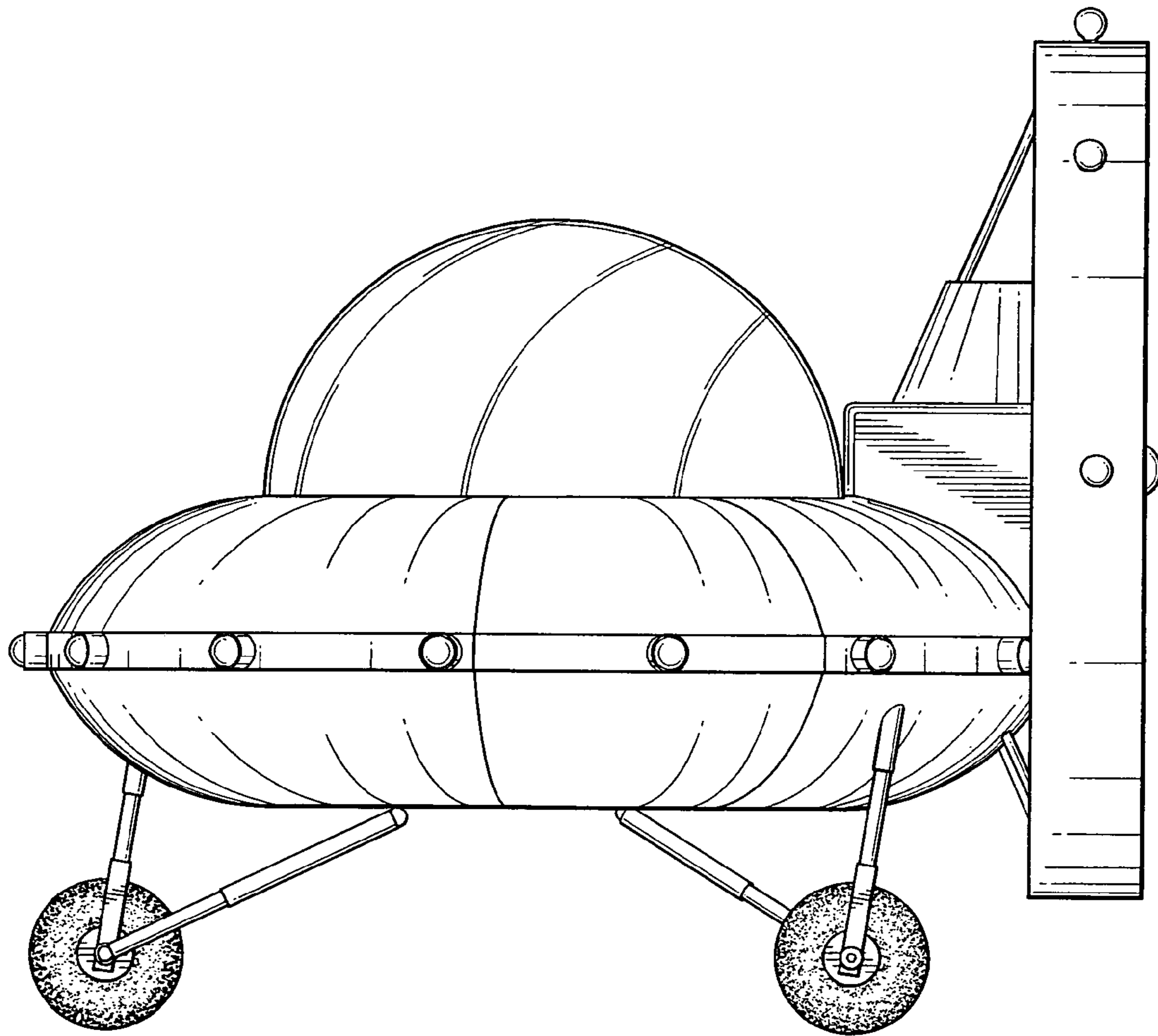
**Fig. 2**



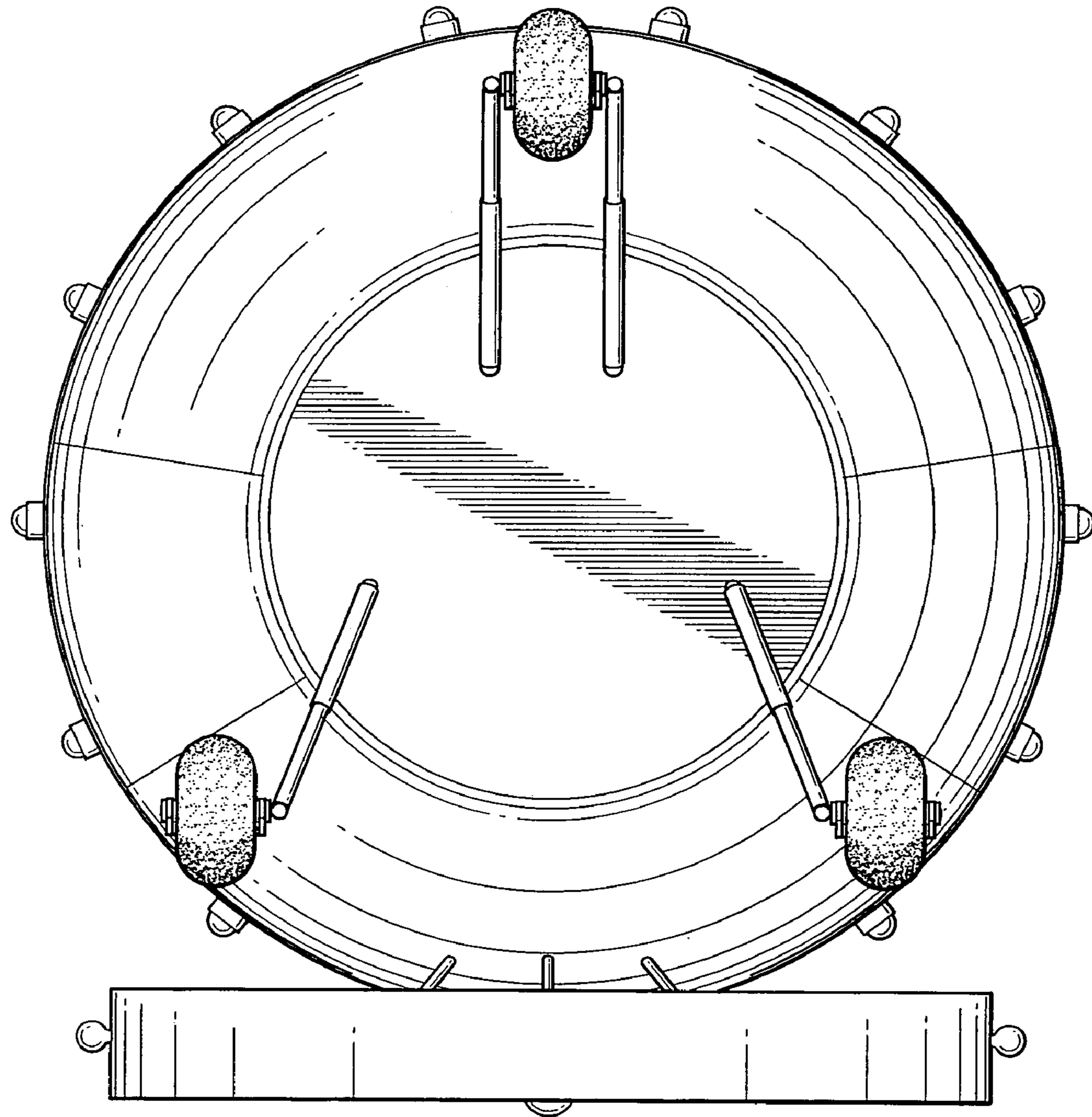
**Fig. 3**



**Fig. 4**



**Fig. 5**



**Fig. 6**