



US00D583290S

(12) **United States Design Patent**  
**Wang**

(10) **Patent No.:** **US D583,290 S**

(45) **Date of Patent:** **\*\* Dec. 23, 2008**

(54) **WHEEL COVER OF THE TRUCK REAR WHEEL**

D538,727 S \* 3/2007 Wright et al. .... D12/207  
D566,028 S \* 4/2008 Wright et al. .... D12/207

(76) Inventor: **Ming-Cheng Wang**, P.O. Box 90, Tainan City 70499 (TW)

\* cited by examiner

*Primary Examiner*—Stacia Cadmus

(\*\*) Term: **14 Years**

(57) **CLAIM**

(21) Appl. No.: **29/320,706**

The ornamental design for a wheel cover of the truck rear wheel, as shown and described.

(22) Filed: **Jul. 2, 2008**

(51) **LOC (8) Cl.** ..... **12-16**

(52) **U.S. Cl.** ..... **D12/207**

(58) **Field of Classification Search** ..... D12/204–213;  
301/37.101, 64.101, 65, 64.201  
See application file for complete search history.

**DESCRIPTION**

FIG. 1 is a perspective view of a wheel cover of the truck rear wheel showing my design;

FIG. 2 is a front elevational view thereof;

FIG. 3 is a left side elevational view thereof;

FIG. 4 is a right side elevational view thereof;

FIG. 5 is a top plan view thereof; and,

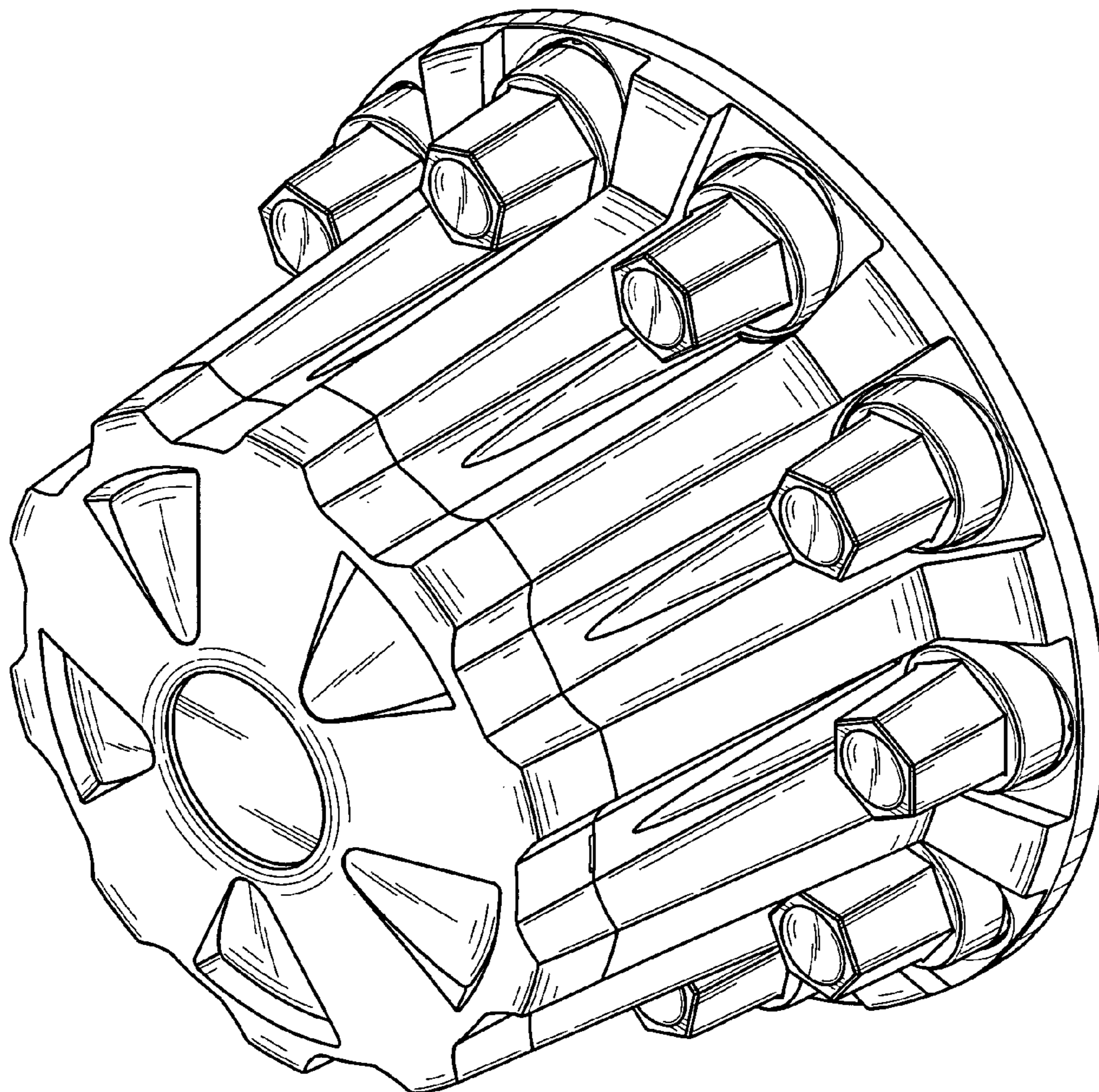
FIG. 6 is a bottom plan view thereof.

(56) **References Cited**

U.S. PATENT DOCUMENTS

D381,615 S \* 7/1997 Smith et al. .... D12/207  
D535,601 S \* 1/2007 Beigel et al. .... D12/204  
D538,726 S \* 3/2007 Wright et al. .... D12/207

**1 Claim, 6 Drawing Sheets**



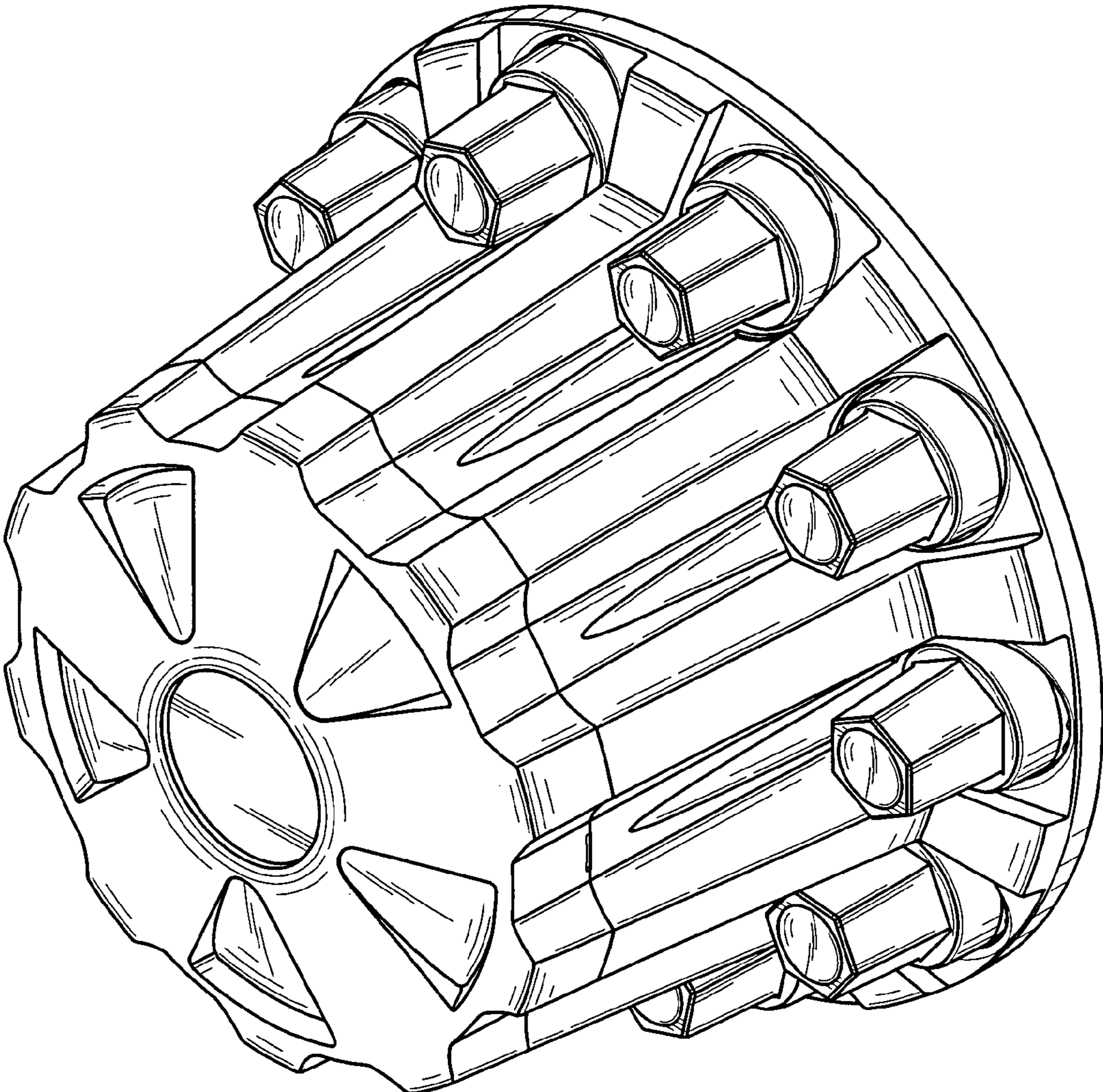


FIG.1

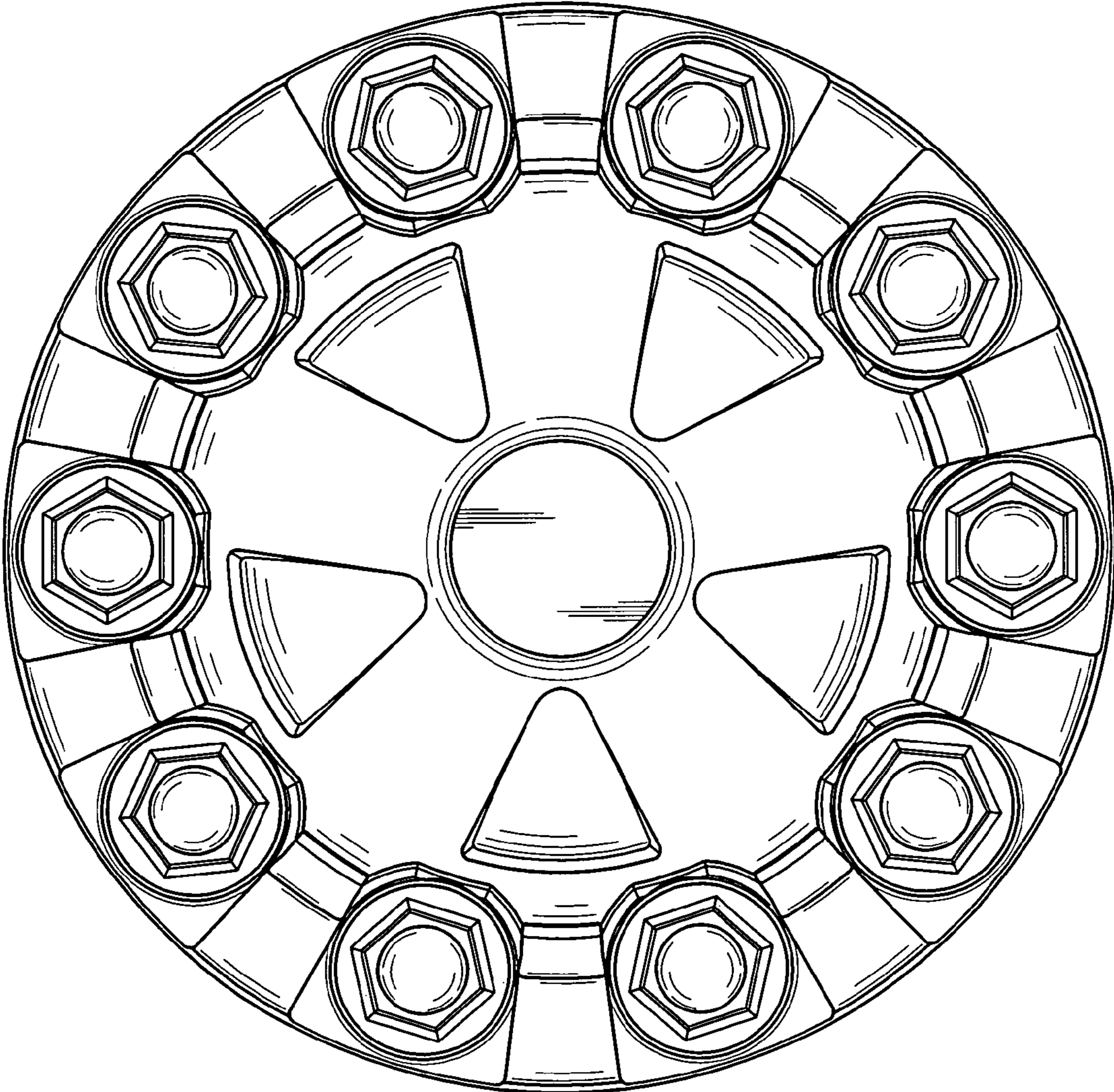


FIG.2

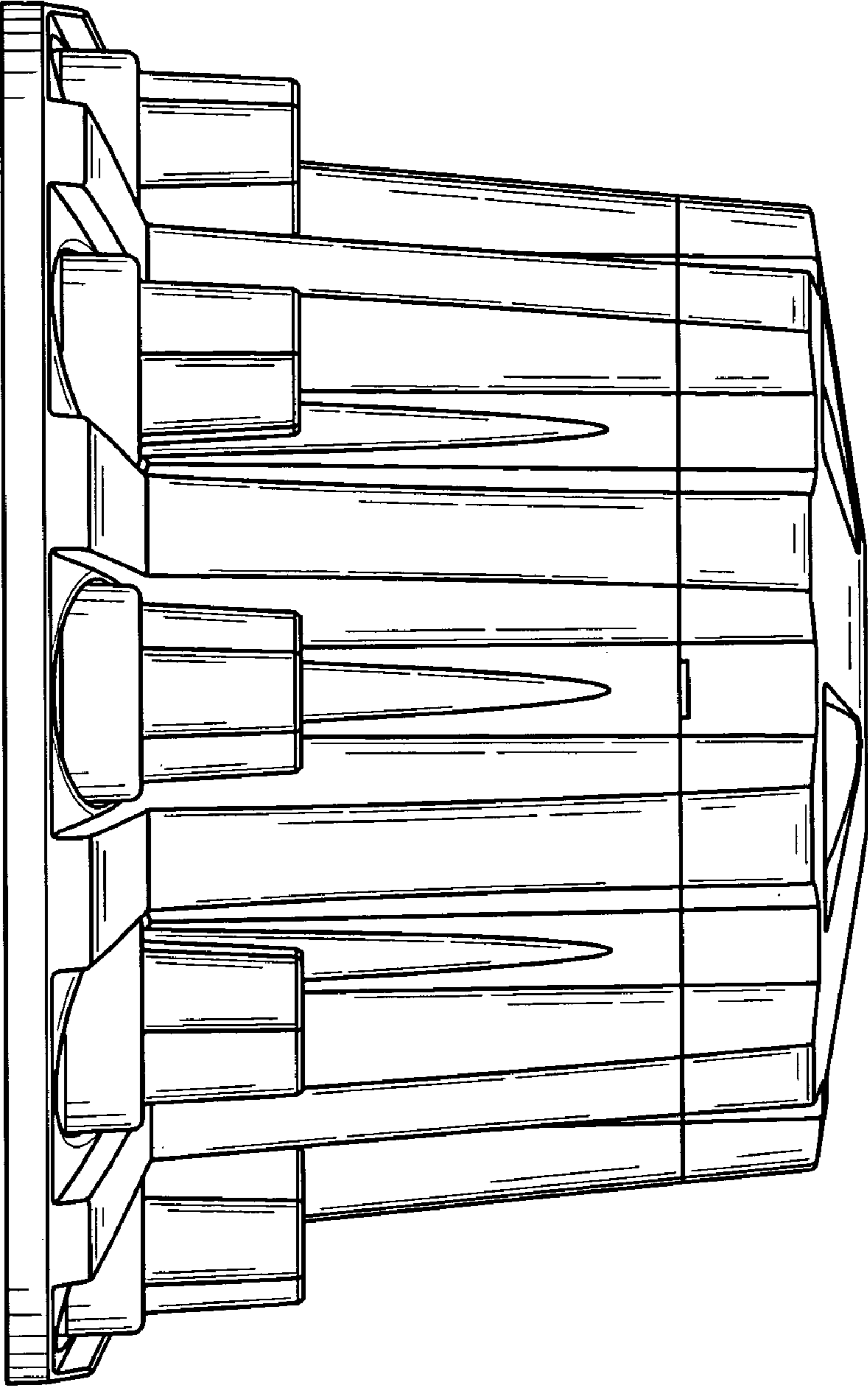


FIG.3

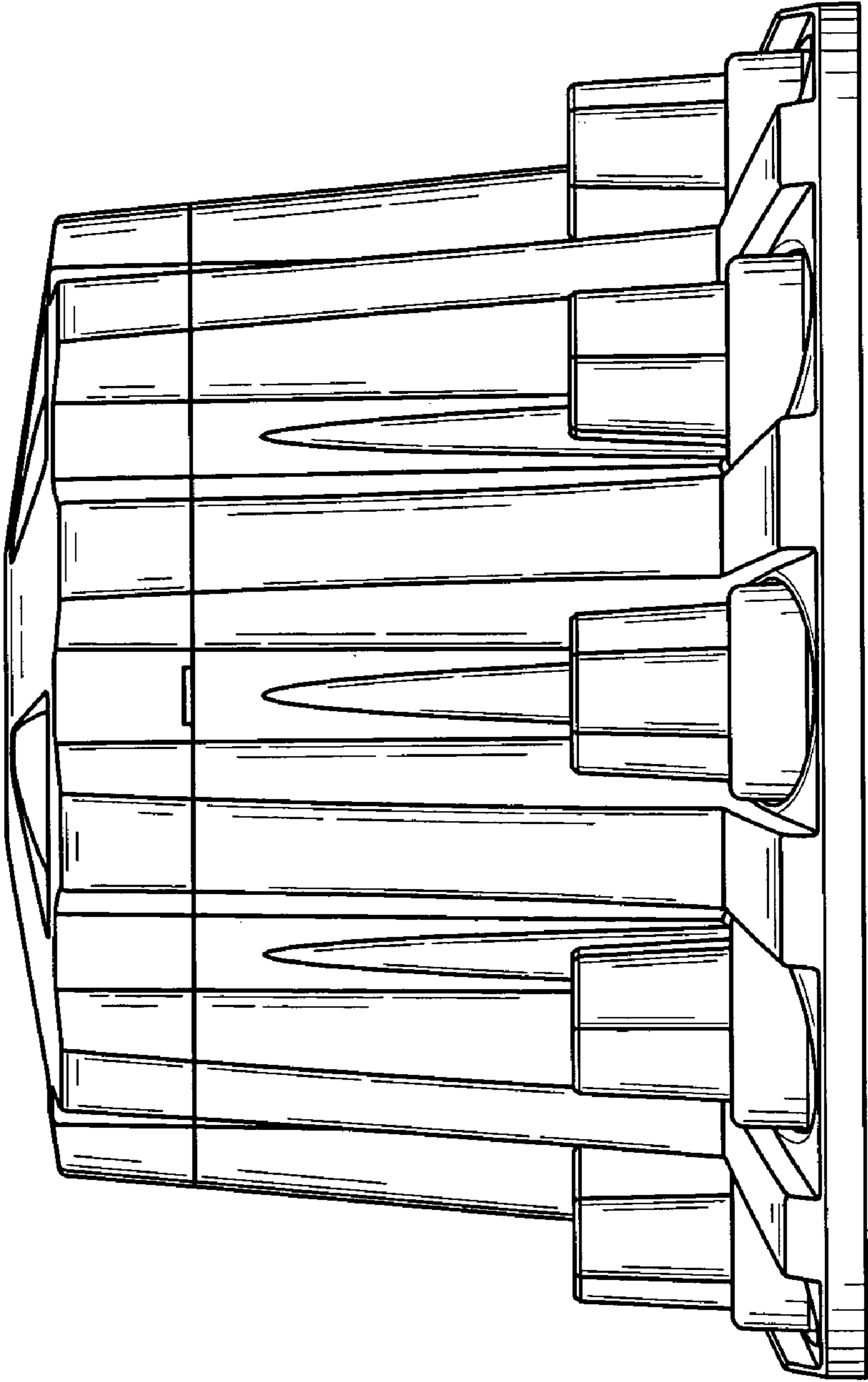


FIG.4

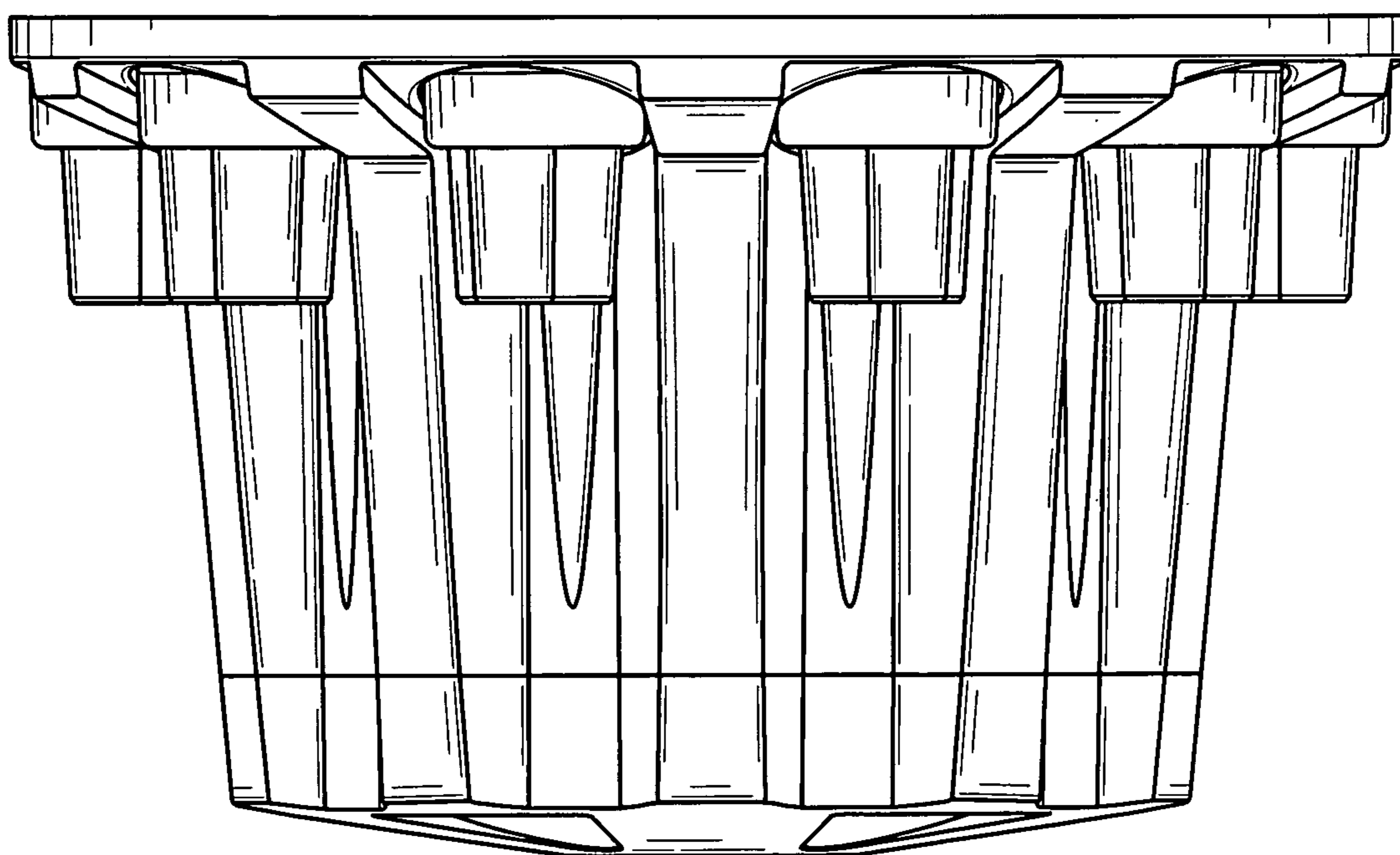


FIG.5

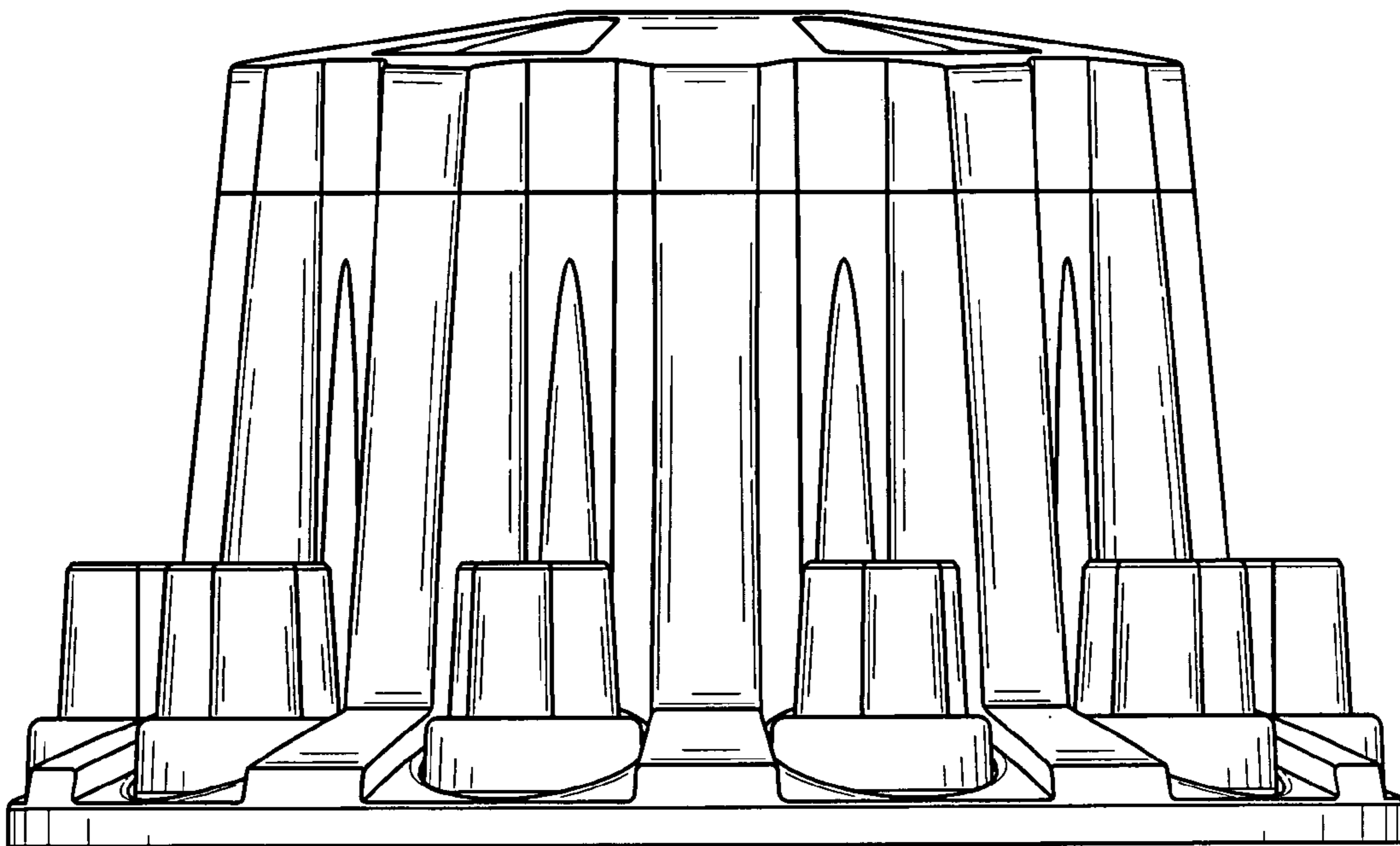


FIG.6