



US00D583284S

(12) **United States Design Patent**
Schell

(10) **Patent No.:** **US D583,284 S**

(45) **Date of Patent:** **** Dec. 23, 2008**

(54) **GRILL FOR AUTOMOBILES**

(75) Inventor: **Damon A. Schell**, Torrance, CA (US)

(73) Assignee: **Honda Motor Co., Ltd.**, Tokyo (JP)

(**) Term: **14 Years**

(21) Appl. No.: **29/290,597**

(22) Filed: **Dec. 19, 2007**

(51) **LOC (8) Cl.** **12-16**

(52) **U.S. Cl.** **D12/163**

(58) **Field of Classification Search** D12/163,
D12/171, 196, 216, 90-92, 86; 180/68.1,
180/68.6; 296/193.11

See application file for complete search history.

(56) **References Cited**

U.S. PATENT DOCUMENTS

D430,836 S * 9/2000 Kitamura et al. D12/163
D519,890 S * 5/2006 Sakae D12/163
D567,723 S * 4/2008 Saito D12/163

D571,693 S * 6/2008 Ishii D12/163

* cited by examiner

Primary Examiner—Melody N Brown

(74) *Attorney, Agent, or Firm*—Westerman, Hattori, Daniels & Adrian, LLP.

(57) **CLAIM**

The ornamental design for a grill for automobiles, as shown and described.

DESCRIPTION

FIG. 1 is a front view of the grill for automobiles showing my new design;

FIG. 2 is a top plan view thereof;

FIG. 3 is a right side view thereof, the left side being a mirror image thereof; and,

FIG. 4 is a front perspective view thereof.

The portions in broken lines represent environmental structure and form no part of the claimed design.

1 Claim, 2 Drawing Sheets

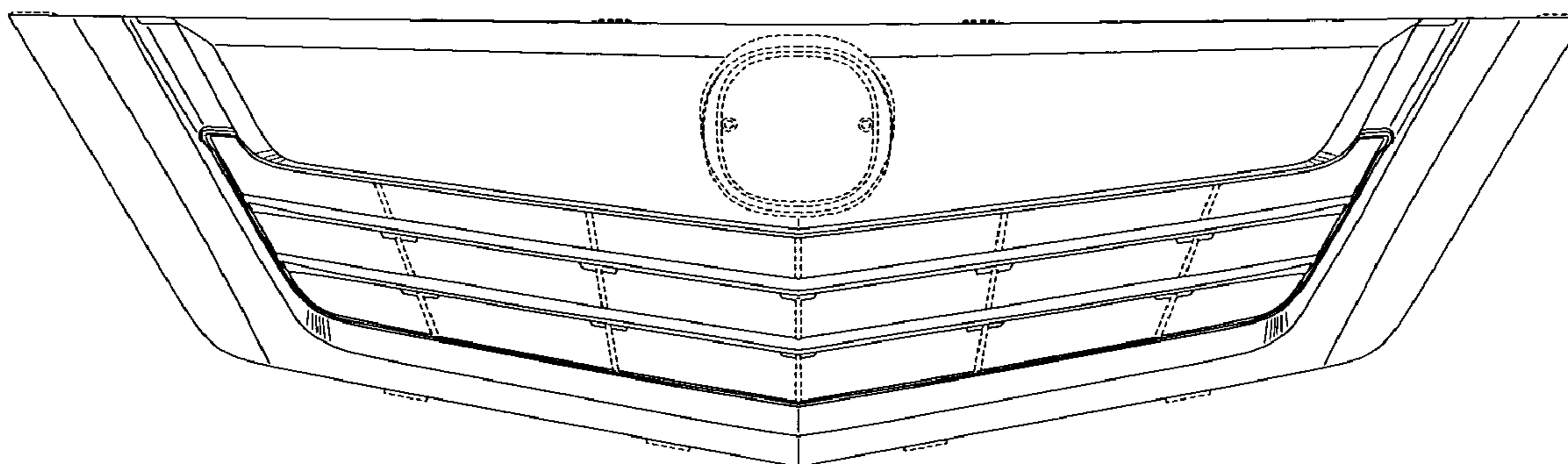


FIG.1

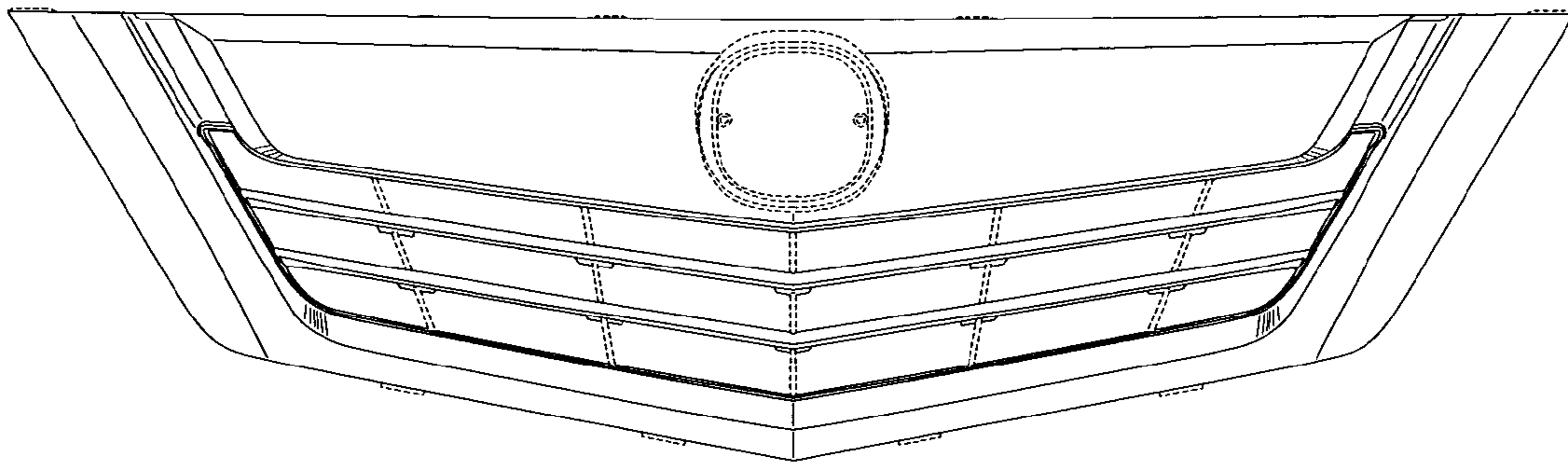


FIG.2

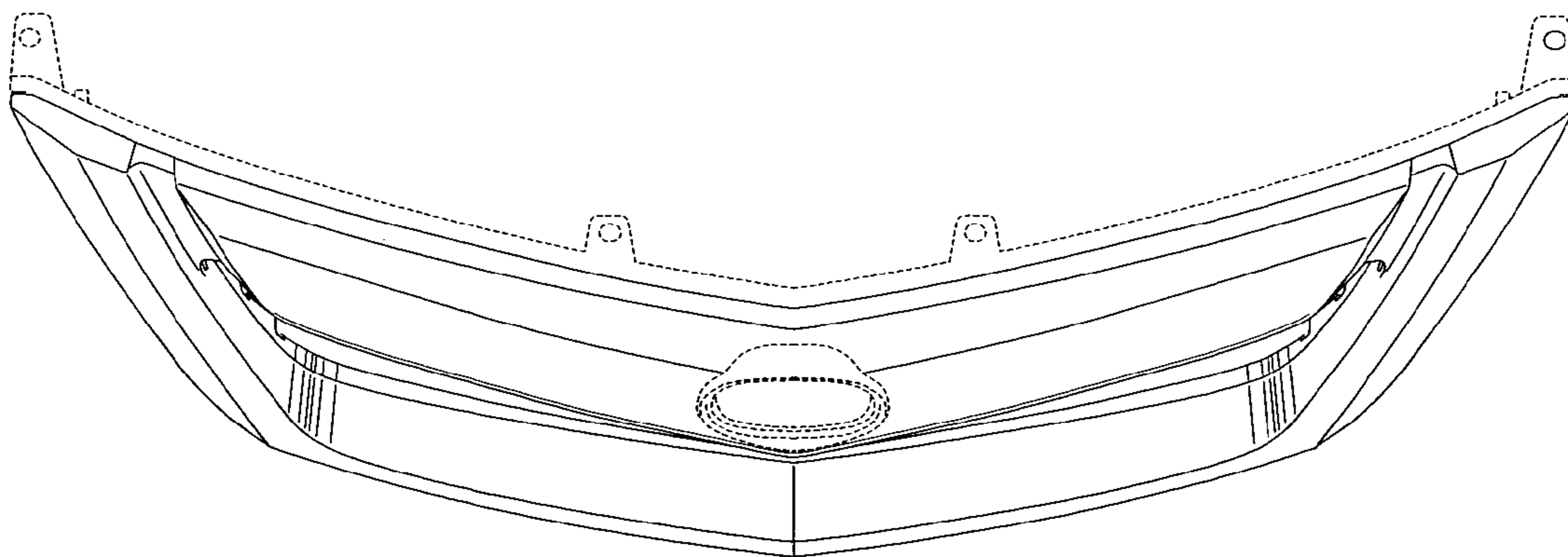


FIG.3

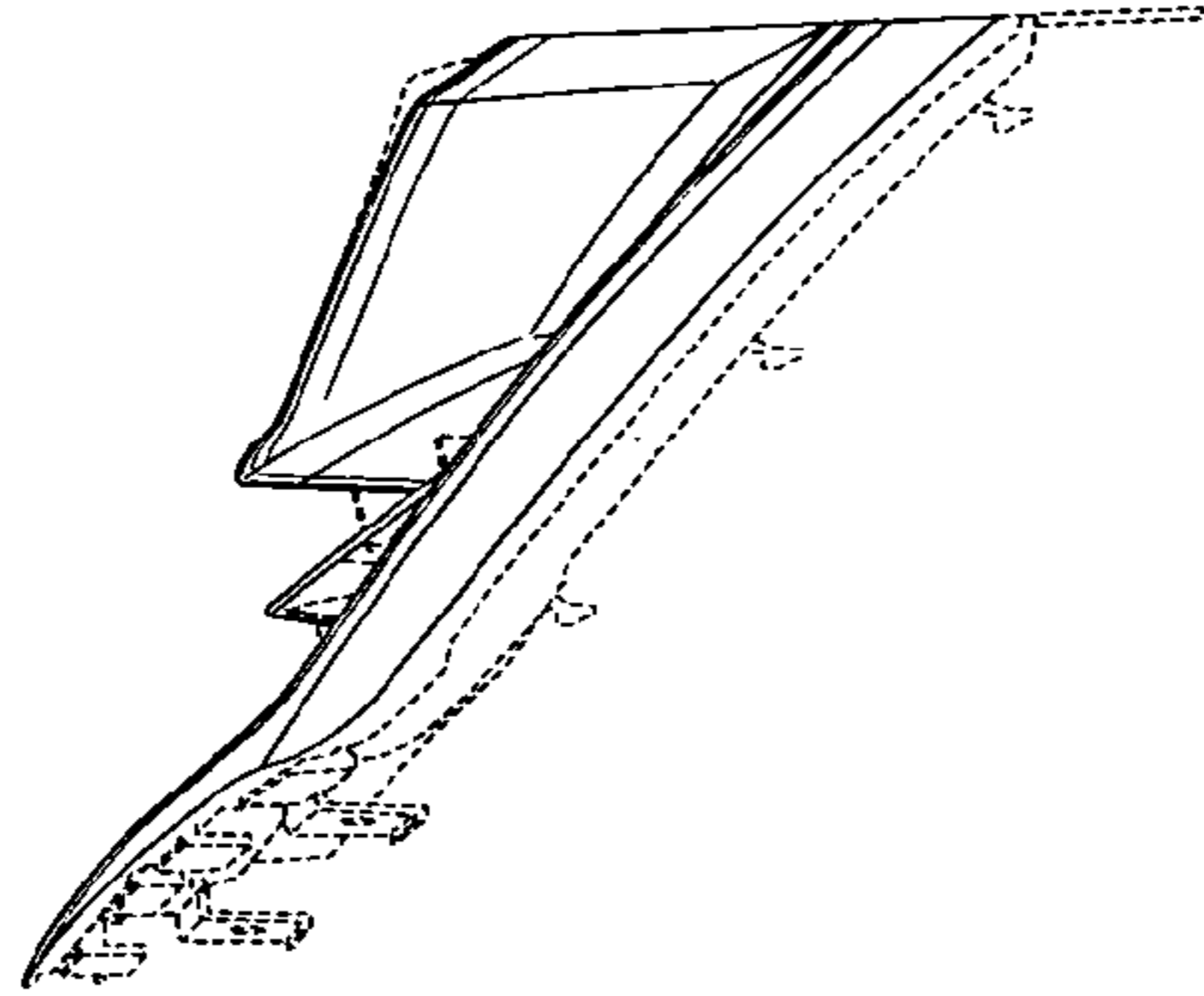


FIG.4

