



US00D583282S

(12) **United States Design Patent**  
**Wang**

(10) **Patent No.:** **US D583,282 S**  
(45) **Date of Patent:** **\*\* Dec. 23, 2008**

(54) **ELECTRIC SCOOTER**  
(75) Inventor: **Chia Hui Wang**, Chang Hua (TW)  
(73) Assignee: **Link Treasure Limited**, Tortola (VG)  
(\*\*) Term: **14 Years**  
(21) Appl. No.: **29/273,373**  
(22) Filed: **Mar. 5, 2007**

D509,774 S \* 9/2005 Chen ..... D12/131  
D511,720 S \* 11/2005 Chen ..... D12/128  
D517,456 S \* 3/2006 Wu et al. .... D12/131  
D530,650 S \* 10/2006 Azuma et al. .... D12/131

\* cited by examiner

*Primary Examiner*—Charles A. Rademaker  
*Assistant Examiner*—Charles D Hanson  
(74) *Attorney, Agent, or Firm*—Muncy, Geissler, Olds & Lowe, PLLC

(30) **Foreign Application Priority Data**  
Sep. 6, 2006 (TW) ..... 95305041

(57) **CLAIM**

The ornamental design for an electric scooter, as shown and described.

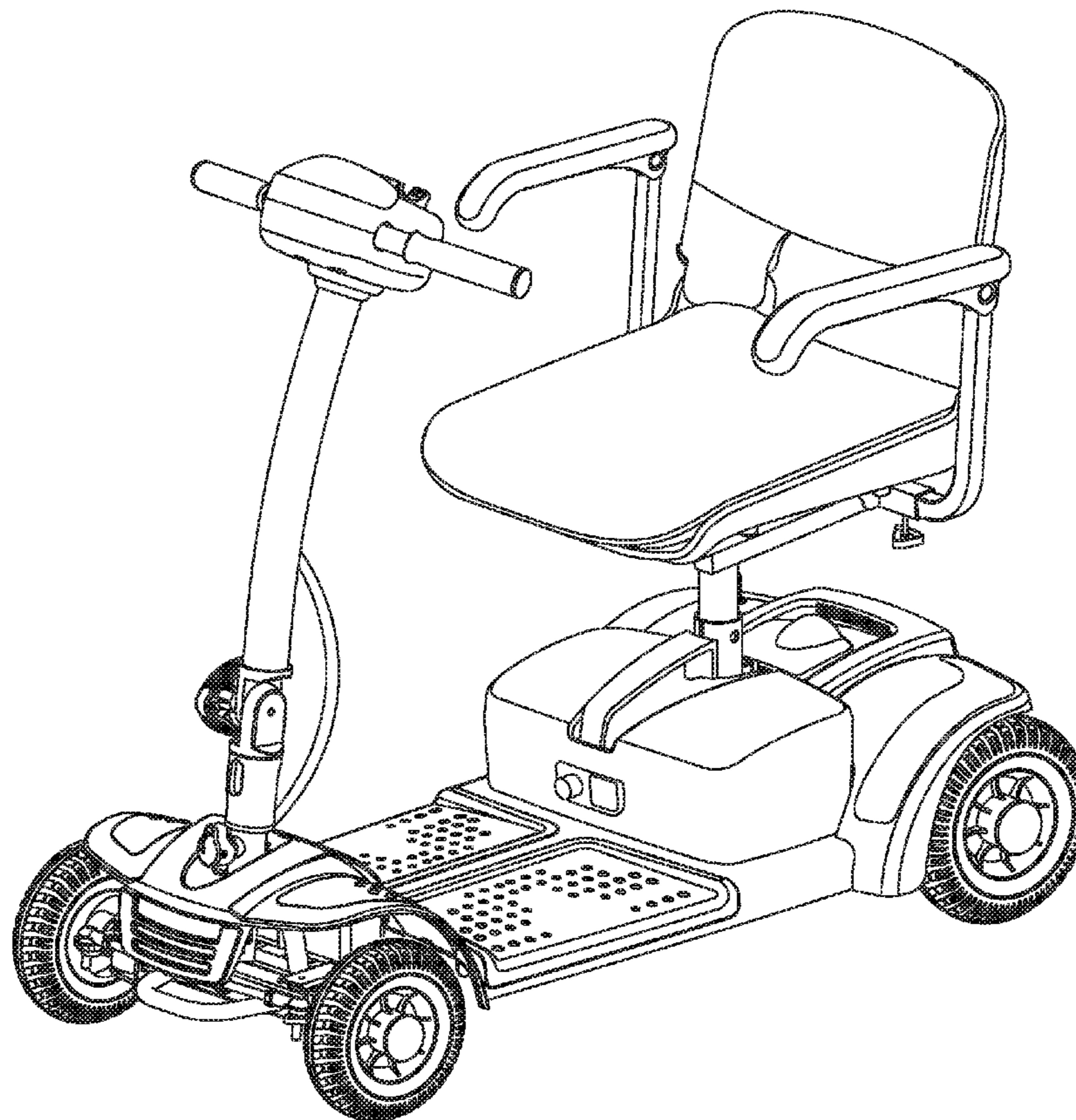
(51) **LOC (8) Cl.** ..... **12-12**  
(52) **U.S. Cl.** ..... **D12/128**  
(58) **Field of Classification Search** ..... D12/128–133;  
280/62, 647–650, 29, 200, 47.38, 250.1,  
280/259, 642, 658; 297/DIG. 4; 296/65.03,  
296/65.04; 224/409; 135/65–67, 74; 180/208;  
267/5  
See application file for complete search history.

**DESCRIPTION**

FIG. 1 is a perspective view of an electric scooter showing my new design;  
FIG. 2 is a front view thereof;  
FIG. 3 is a rear view thereof;  
FIG. 4 is a left side view thereof;  
FIG. 5 is a right side view thereof;  
FIG. 6 is a top view thereof; and,  
FIG. 7 is a bottom view thereof.

(56) **References Cited**  
U.S. PATENT DOCUMENTS  
D403,279 S \* 12/1998 Wu ..... D12/131  
D479,496 S \* 9/2003 Tsai et al. .... D12/128  
D488,409 S \* 4/2004 Tsai ..... D12/128

**1 Claim, 7 Drawing Sheets**



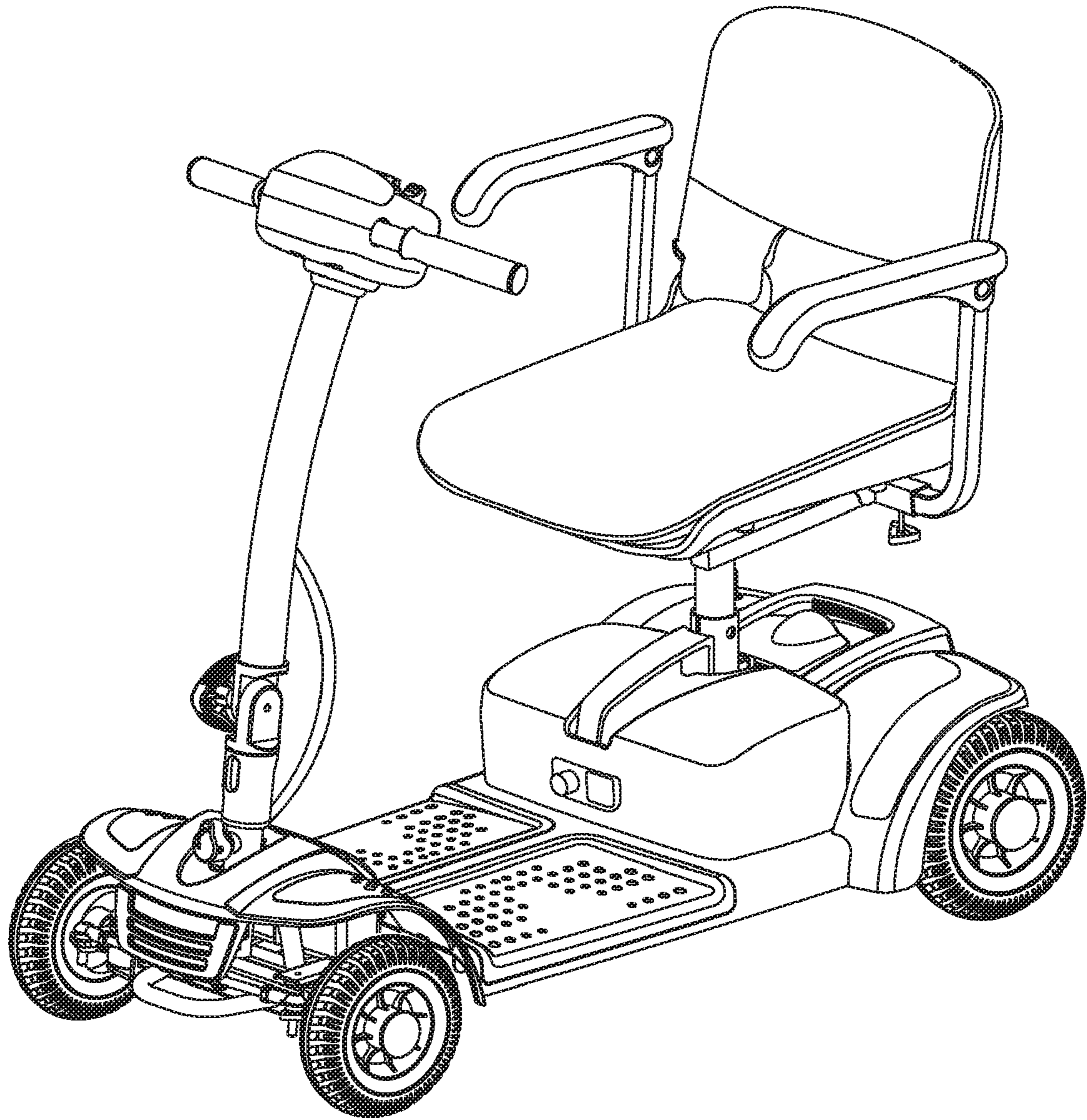


FIG. 1

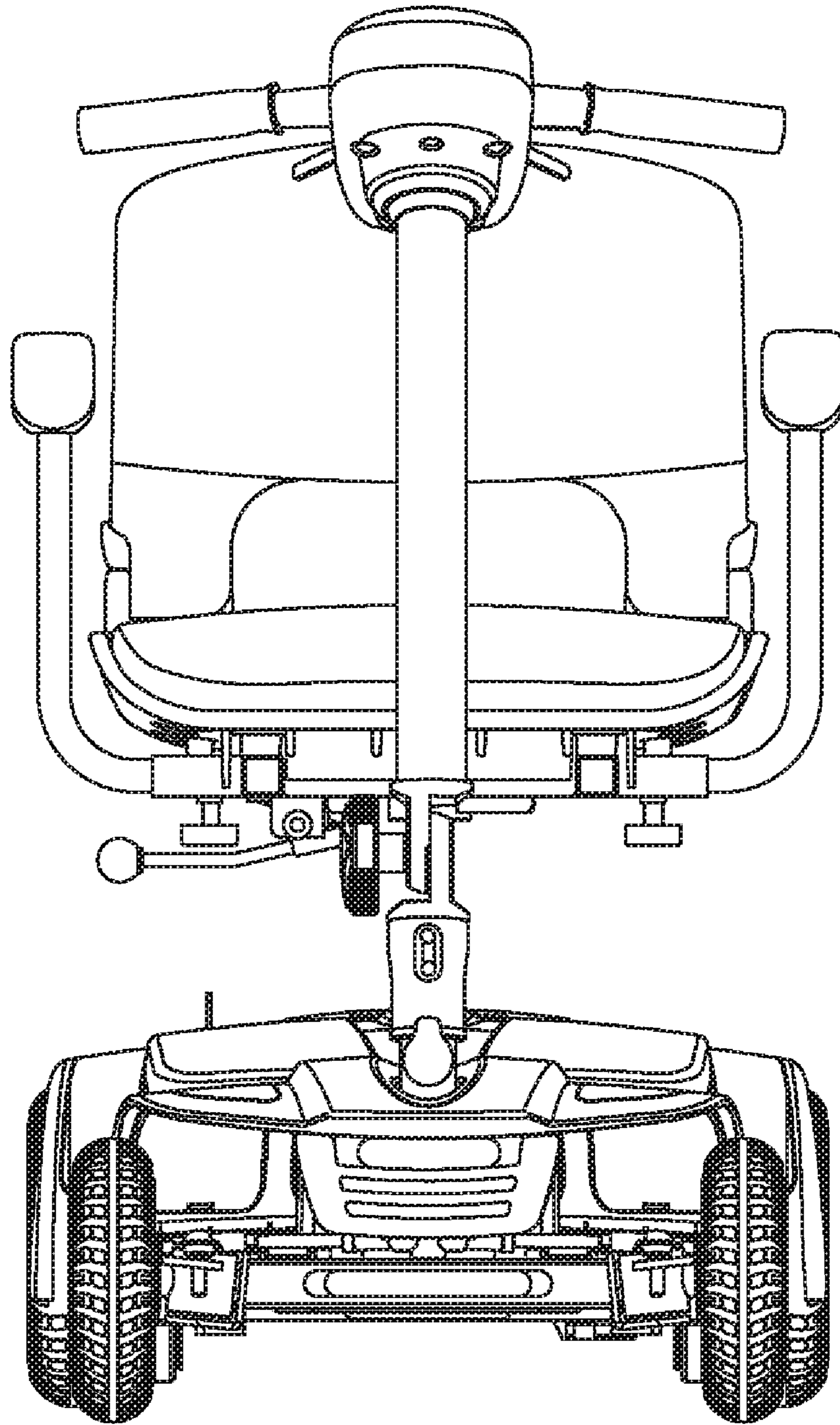


FIG. 2

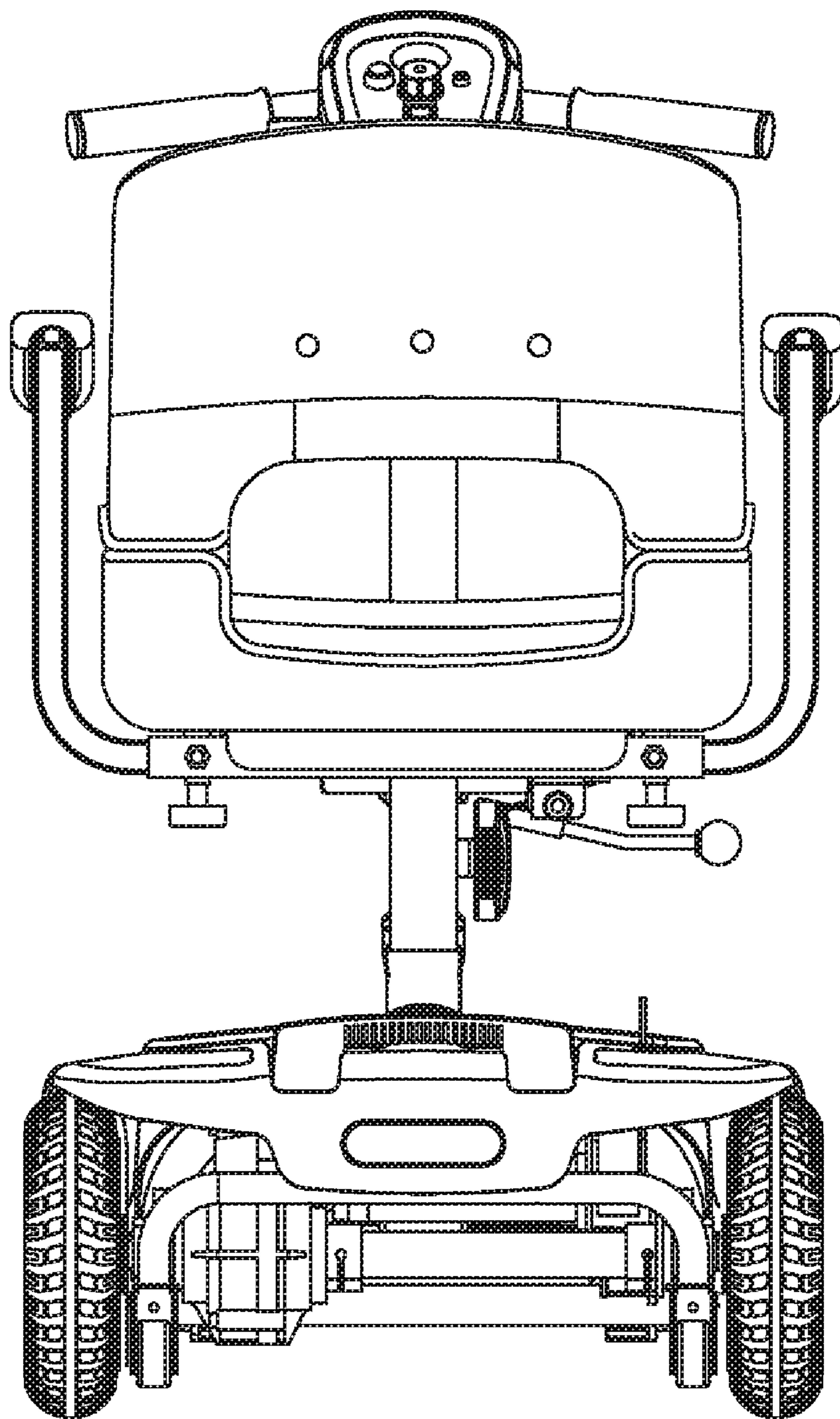


FIG. 3

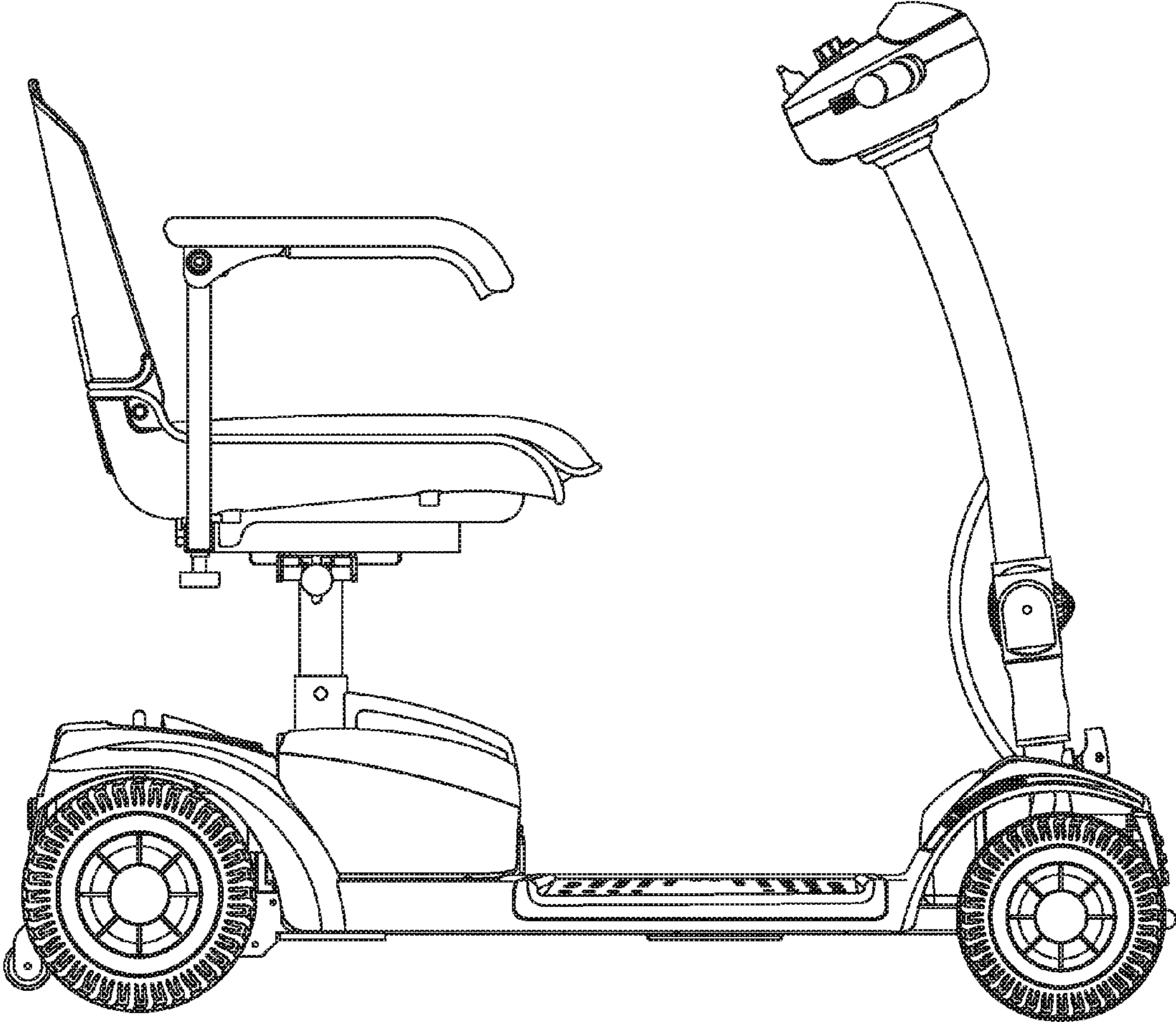


FIG. 4

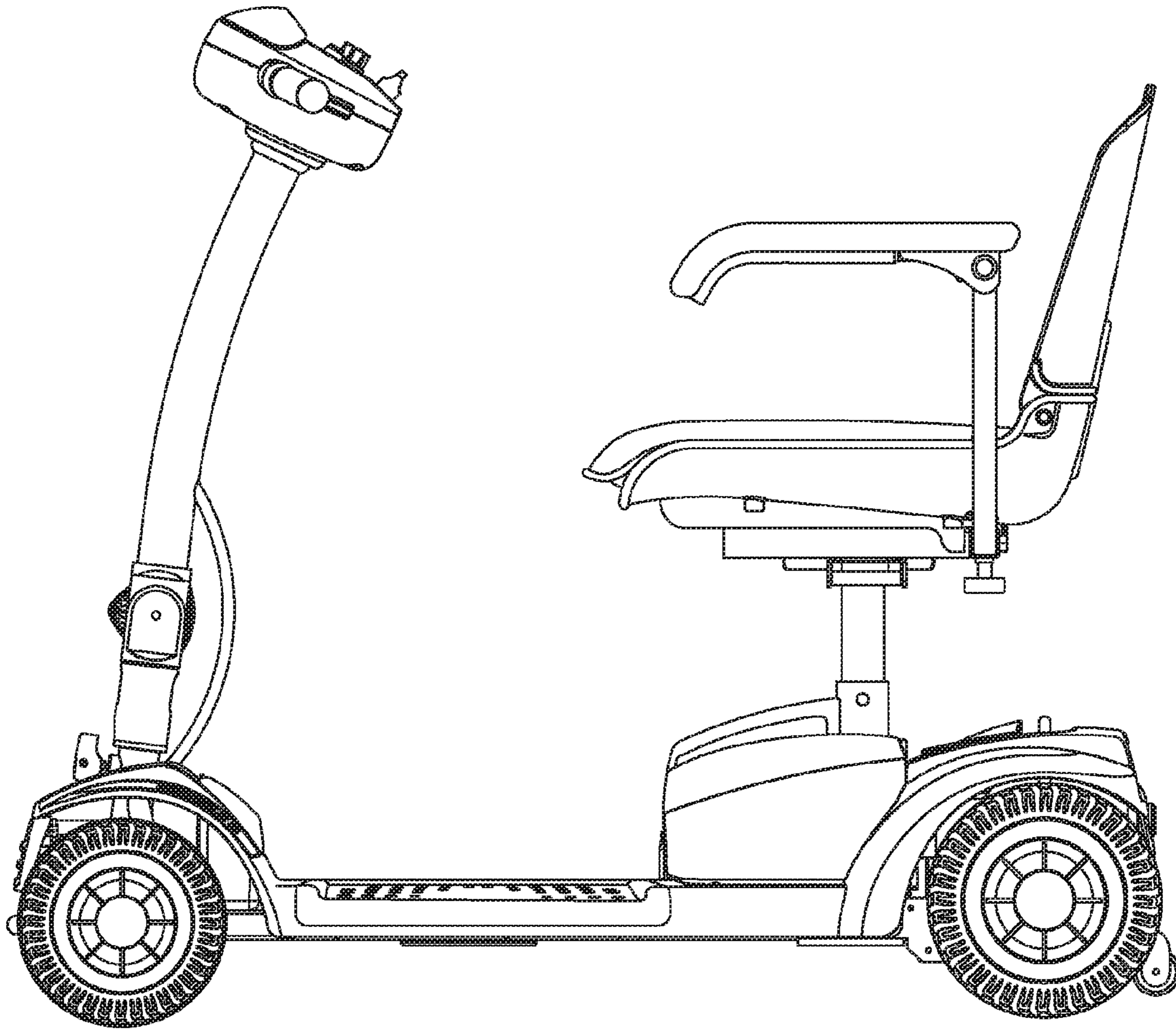


FIG. 5

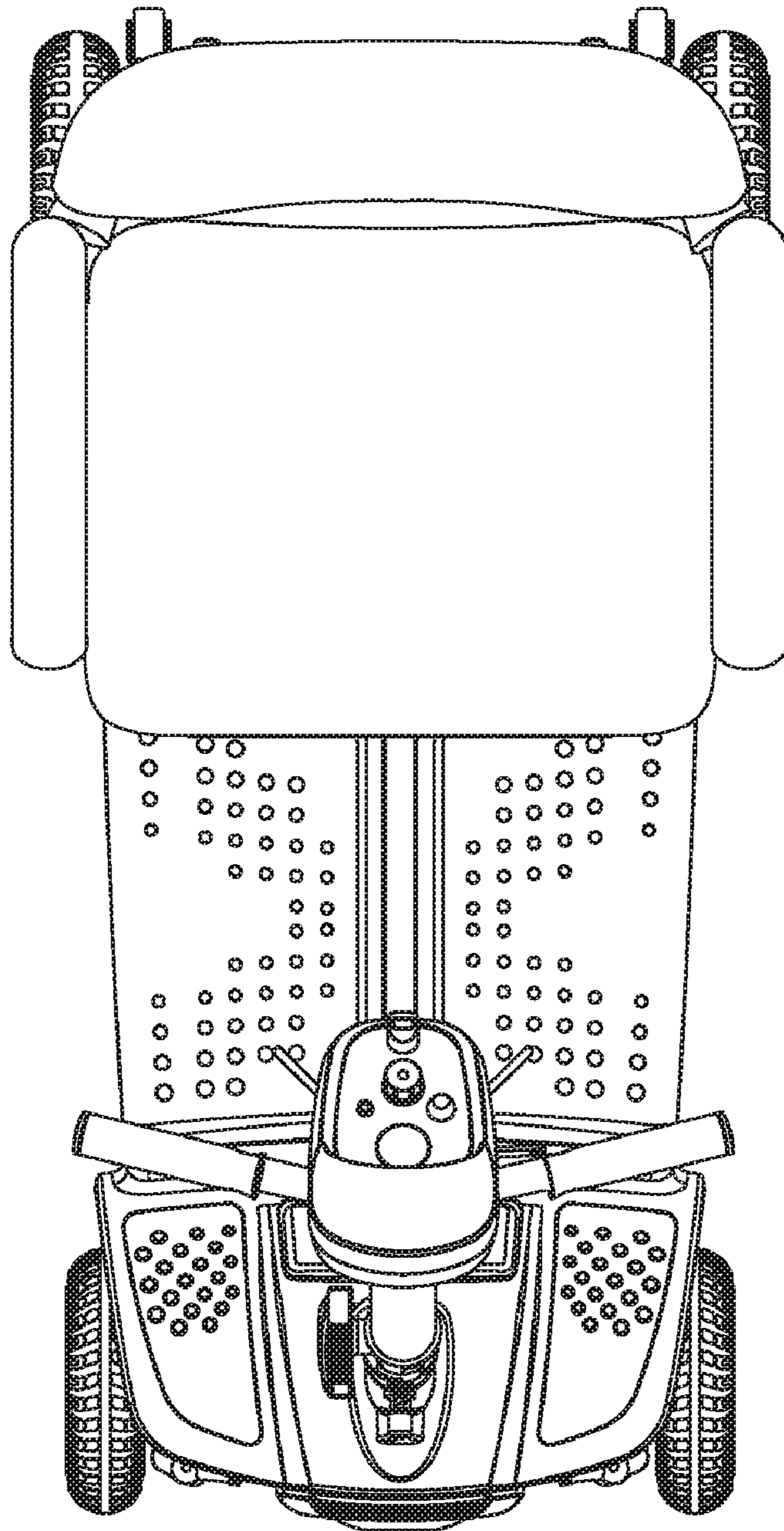


FIG. 6

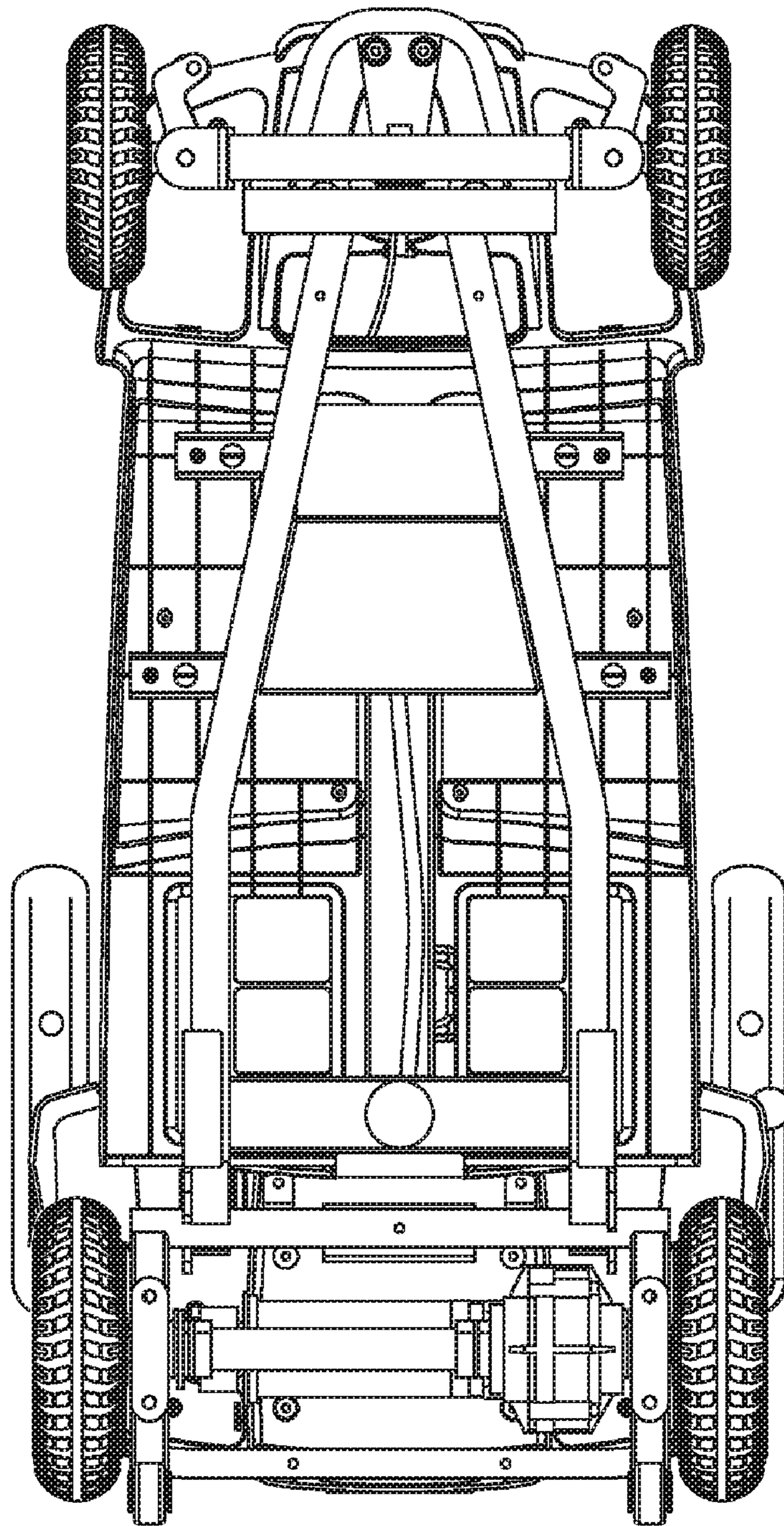


FIG. 7