



US00D583279S

(12) **United States Design Patent**
Lee et al.

(10) **Patent No.:** **US D583,279 S**
(45) **Date of Patent:** **** Dec. 23, 2008**

(54) **APPARATUS FOR CULTIVATING ORGANIC VEGETABLES**

(75) Inventors: **Dong-Kyu Lee**, Kyunggi-do (KR);
Hyung-Ho Hwangbo, Seoul (KR);
Jung-Hoon Kim, Seoul (KR)

(73) Assignee: **Samsung Electronics Co., Ltd.**, Suwon, Kyunggi-Do (KR)

(**) Term: **14 Years**

(21) Appl. No.: **29/301,739**

(22) Filed: **Mar. 14, 2008**

(51) **LOC (8) Cl.** **11-02**

(52) **U.S. Cl.** **D11/143**

(58) **Field of Classification Search** D6/403-405,
D6/556; D8/1; D11/143-156; D19/77,
D19/81, 84; D25/100; D26/9, 16, 19; D34/1-11;
D99/5, 19; 47/32.7, 33, 39, 41.01, 41.1,
47/41.11-41.15, 44-47, 65.5, 65.9, 66.1,
47/66.2, 66.6, 66.7, 67-71

See application file for complete search history.

(56) **References Cited**

U.S. PATENT DOCUMENTS

D109,069 S * 3/1938 Matassa D11/152
D264,709 S * 6/1982 Lesyk D23/330

5,549,500 A * 8/1996 Manoah 47/56
D429,804 S * 8/2000 Rossman et al. D23/332
6,298,599 B1 * 10/2001 Weiner 47/65.5
D487,927 S * 3/2004 Toro D23/335
D523,182 S * 6/2006 Lieu D30/108
D536,277 S * 2/2007 Cabeza D11/152

* cited by examiner

Primary Examiner—Caron Veynar

Assistant Examiner—Garth Rademaker

(74) *Attorney, Agent, or Firm*—Flynn, Theil, Boutell & Tanis, P.C.

(57) **CLAIM**

The ornamental design for an apparatus for cultivating organic vegetables, as shown.

DESCRIPTION

FIG. 1 is a top, front perspective view of an apparatus for cultivating organic vegetables, showing our new design;

FIG. 2 is a front elevational view thereof;

FIG. 3 is a rear elevational view thereof;

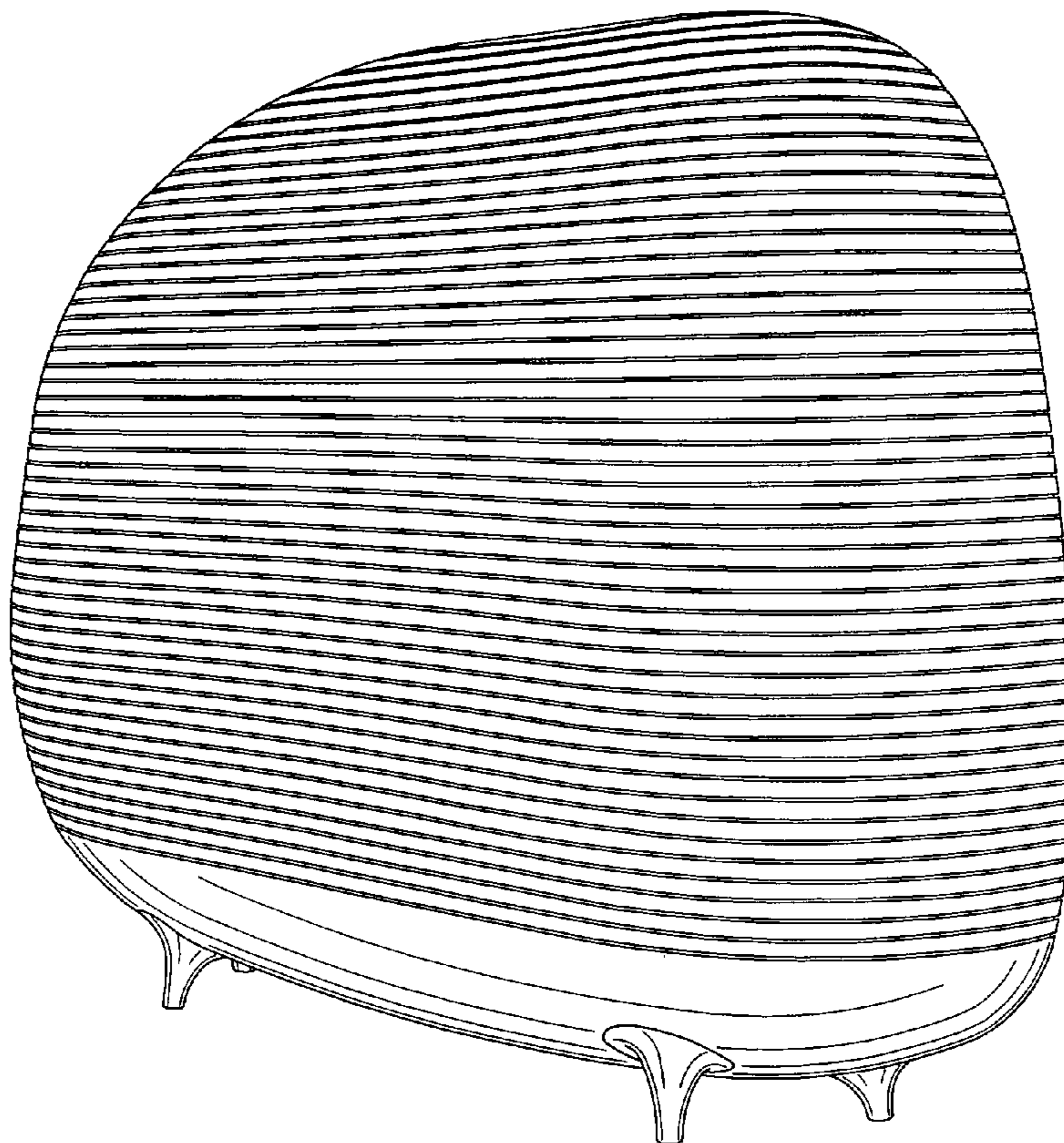
FIG. 4 is a left side elevational view thereof;

FIG. 5 is a right side elevational view thereof;

FIG. 6 is a top plan view thereof; and,

FIG. 7 is a bottom plan view thereof.

1 Claim, 5 Drawing Sheets



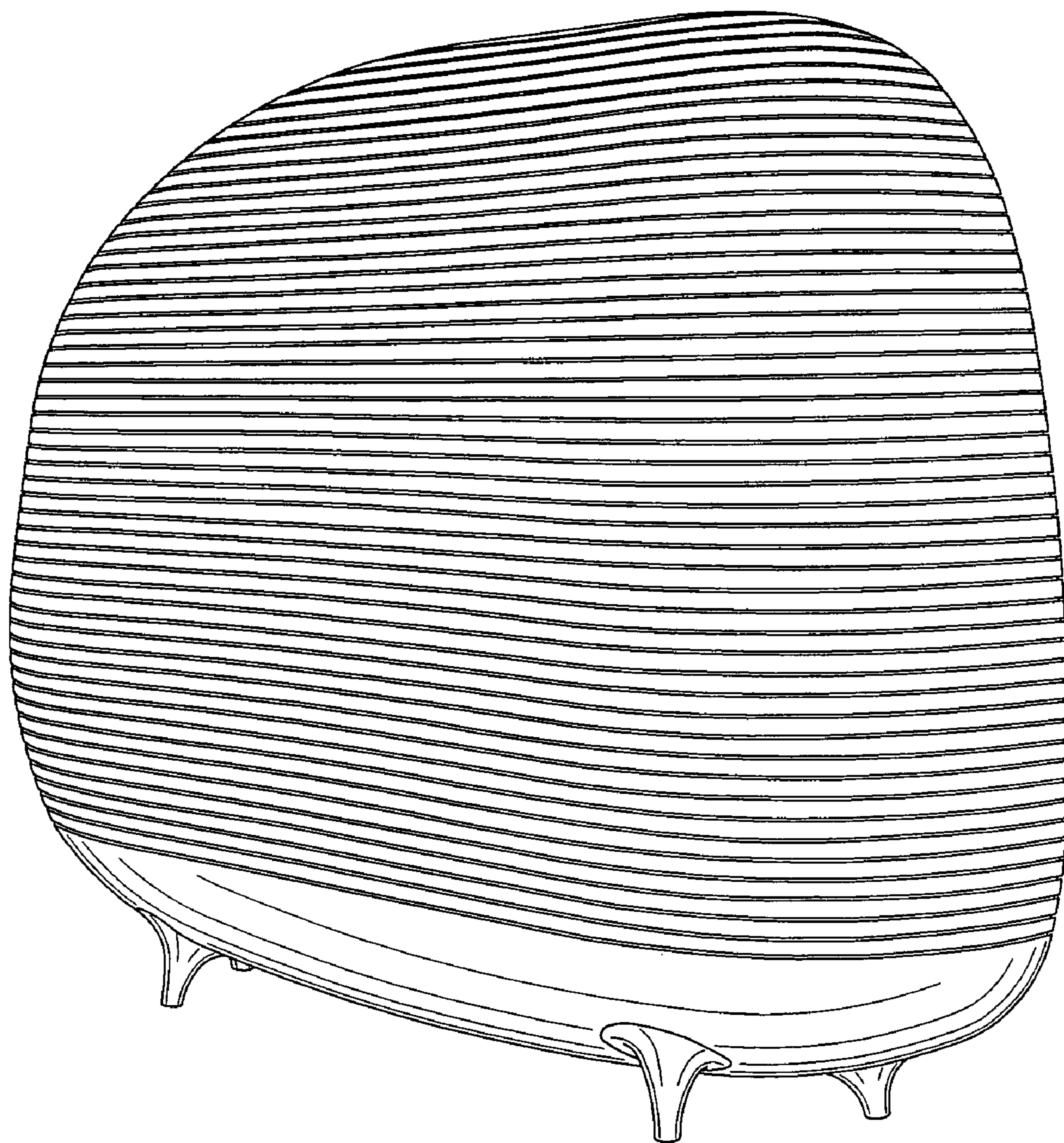


FIG. 1

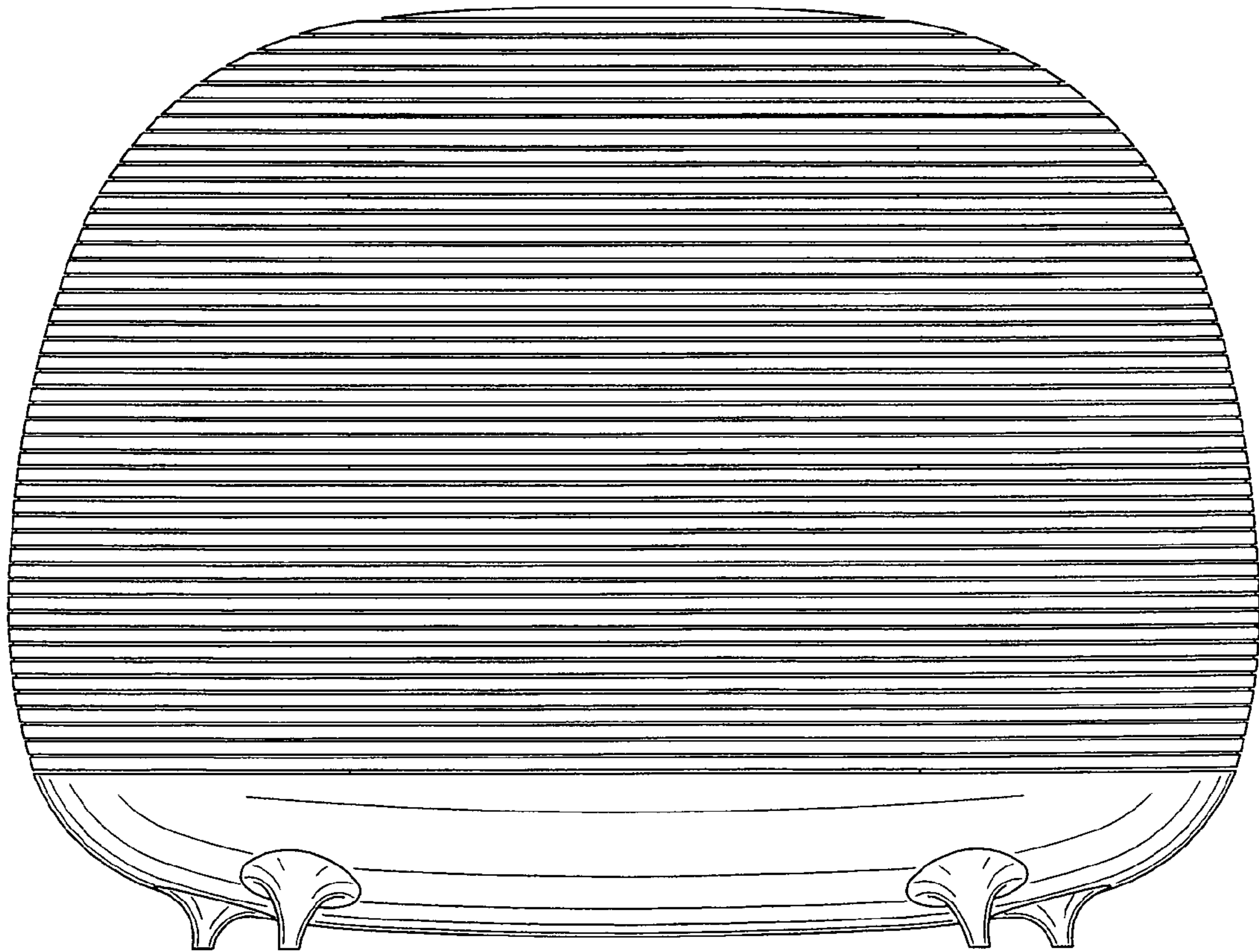


FIG. 2

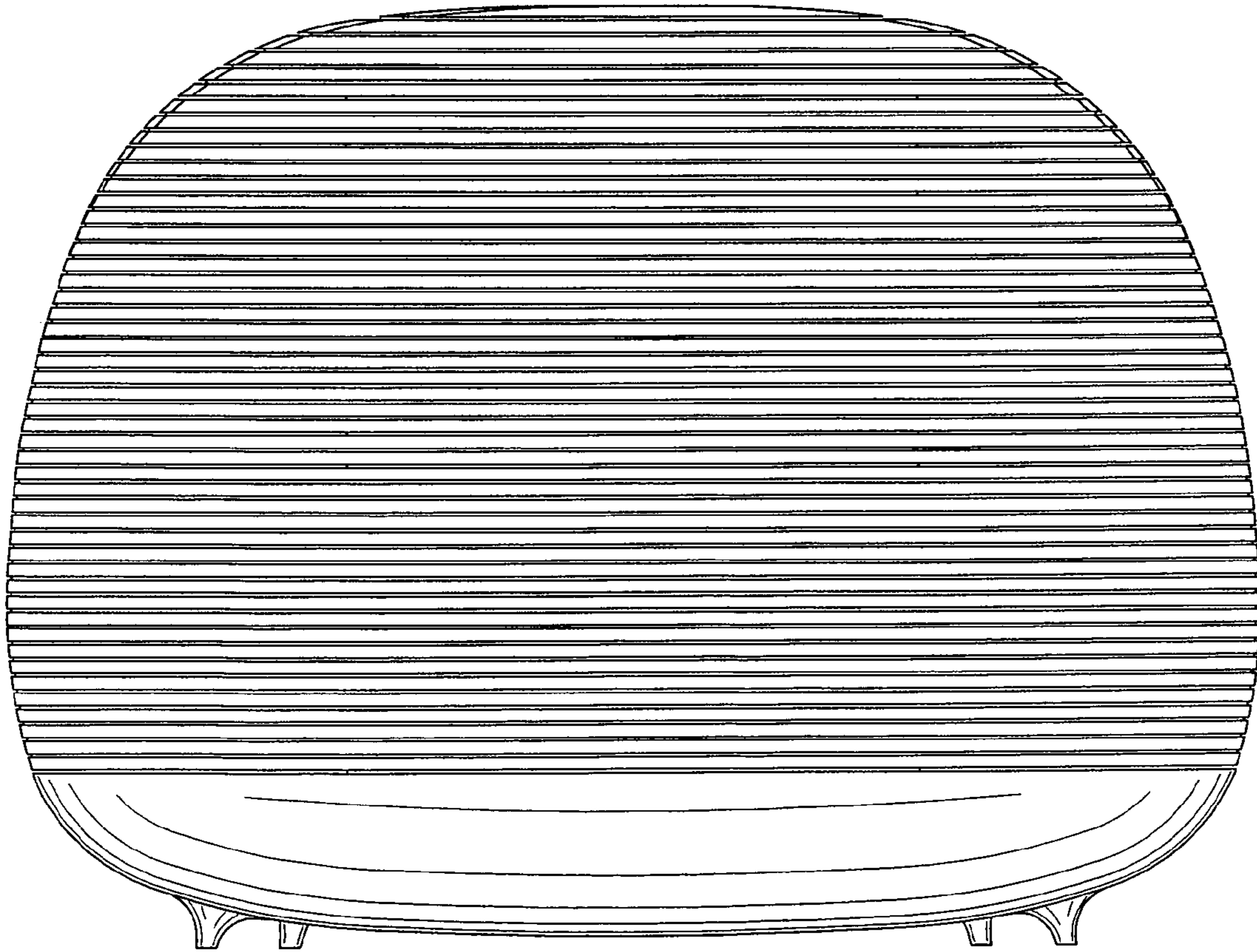


FIG. 3

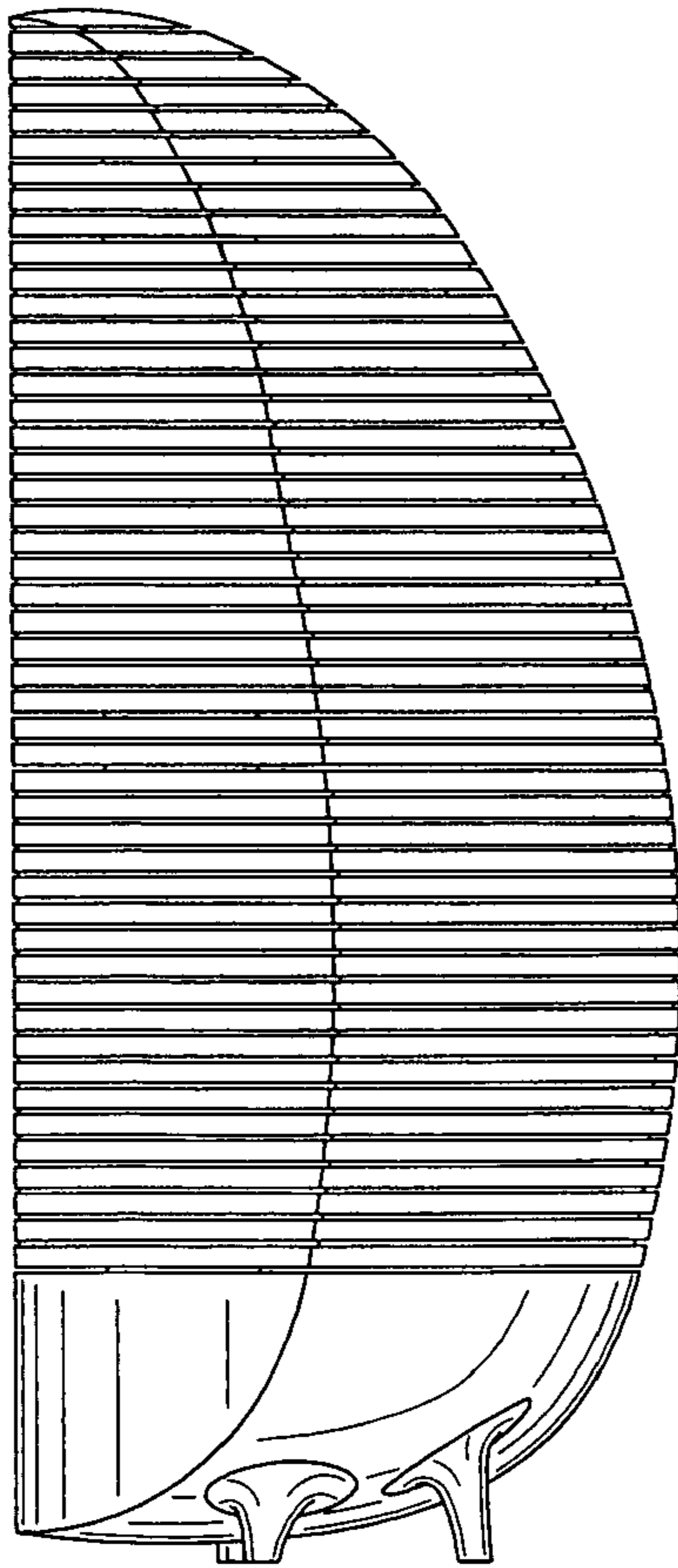


FIG. 4

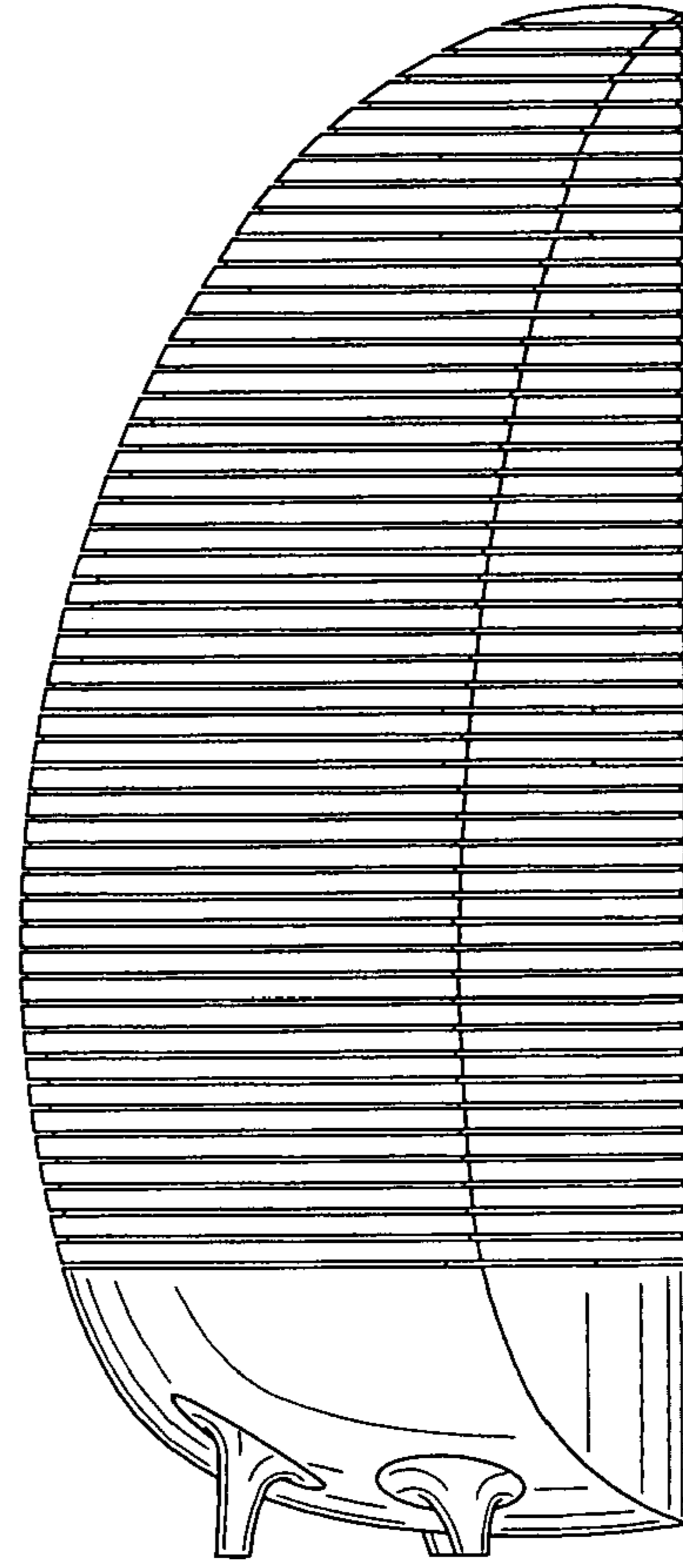


FIG. 5

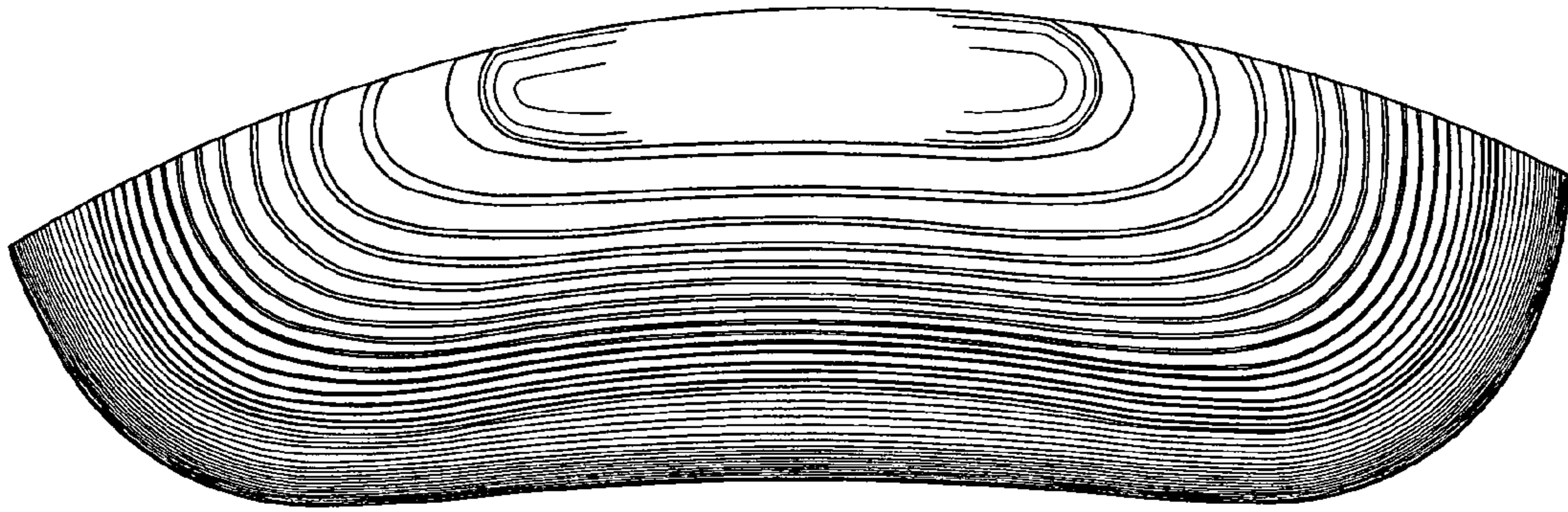


FIG. 6

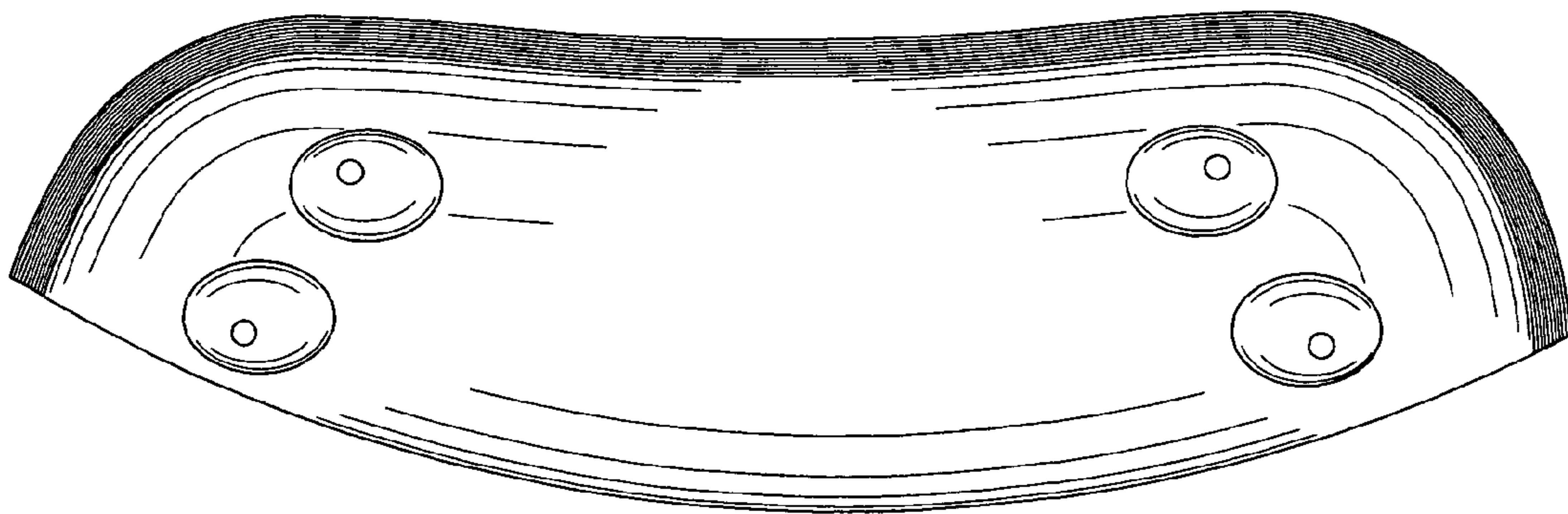


FIG. 7