



US00D583268S

(12) **United States Design Patent**
Chan

(10) **Patent No.:** **US D583,268 S**

(45) **Date of Patent:** **** Dec. 23, 2008**

(54) **SECURITY ALARM BAR**

(76) **Inventor:** **Eddie Man-Ying Chan**, Unit 901,
Peninsula Square, No. 18 Sung On
Street, Hunghom, Kowloon, Hong Kong
(CN)

(**) **Term:** **14 Years**

(21) **Appl. No.:** **29/307,003**

(22) **Filed:** **Mar. 27, 2008**

(51) **LOC (8) Cl.** **10-05**

(52) **U.S. Cl.** **D10/106**

(58) **Field of Classification Search** D10/106;
292/339; 248/351; 340/546; 16/82
See application file for complete search history.

(56) **References Cited**

U.S. PATENT DOCUMENTS

4,442,427	A *	4/1984	Morton	340/546
5,064,232	A *	11/1991	Quarberg	292/339
5,131,701	A *	7/1992	Stepniewski	292/339
5,333,922	A *	8/1994	Jones	292/339
5,392,026	A *	2/1995	Marik	340/546
5,544,386	A *	8/1996	Cobb	16/82
5,988,710	A *	11/1999	Kortschot et al.	292/339
7,030,758	B1 *	4/2006	Markegard et al.	340/546
7,137,655	B2 *	11/2006	Quarberg	292/339

7,164,356	B1 *	1/2007	Zeitz	340/546
2002/0153464	A1 *	10/2002	Hefley et al.	248/351
2002/0180221	A1 *	12/2002	Flowers	292/339

* cited by examiner

Primary Examiner—Robert M. Spear

Assistant Examiner—George D Kirschbaum

(74) *Attorney, Agent, or Firm*—Alix, Yale & Ristas, LLP

(57) **CLAIM**

The ornamental design for a security alarm bar, as shown and described.

DESCRIPTION

FIG. 1 is a front elevational view of a security alarm bar showing my new design;

FIG. 2 is a rear elevational view thereof;

FIG. 3 is a left side elevational view thereof; and

FIG. 4 is a right side elevational view thereof.

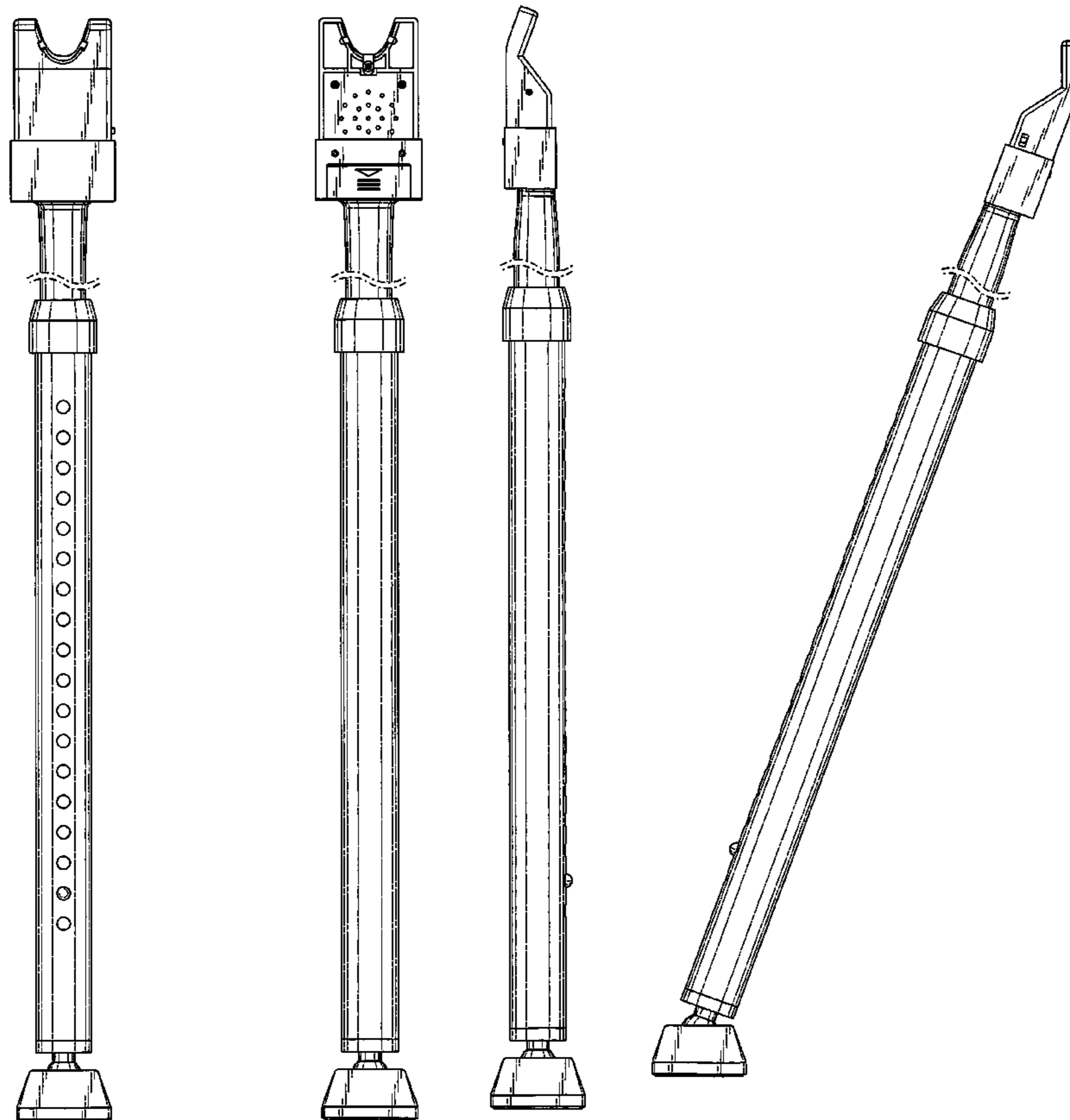
FIG. 5 is a top plan view thereof;

FIG. 6 is a bottom plan view thereof; and,

FIG. 7 is a right side elevational view showing the design in an alternate position thereof.

In the drawings, the break lines indicate that the security alarm bar has no particular length.

1 Claim, 3 Drawing Sheets



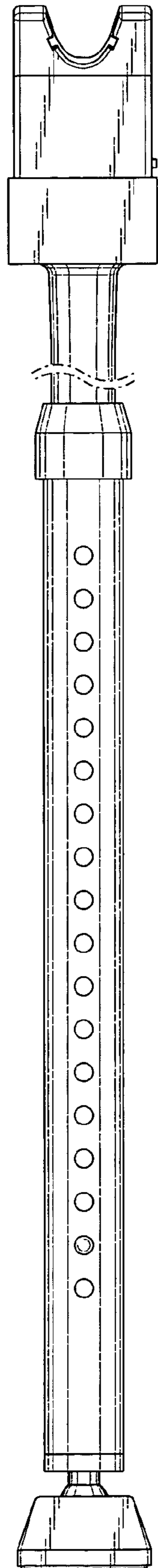


FIG. 1

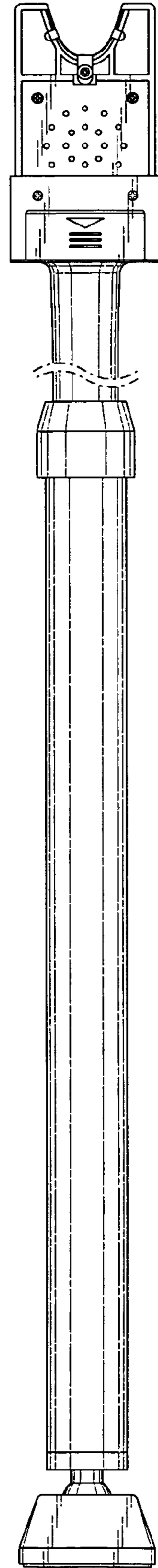


FIG. 2

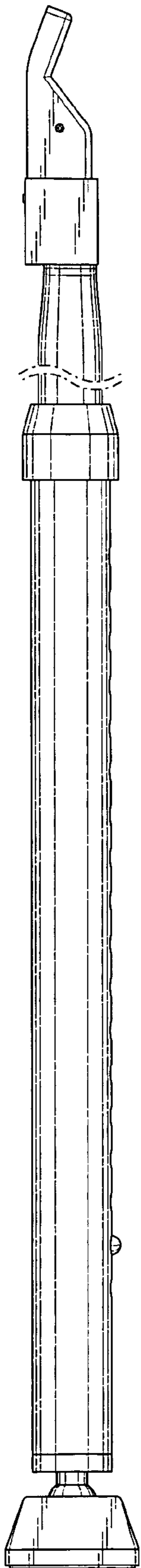


FIG. 3

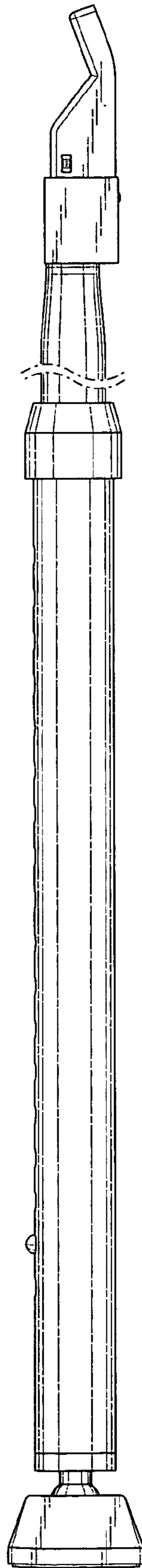


FIG. 4

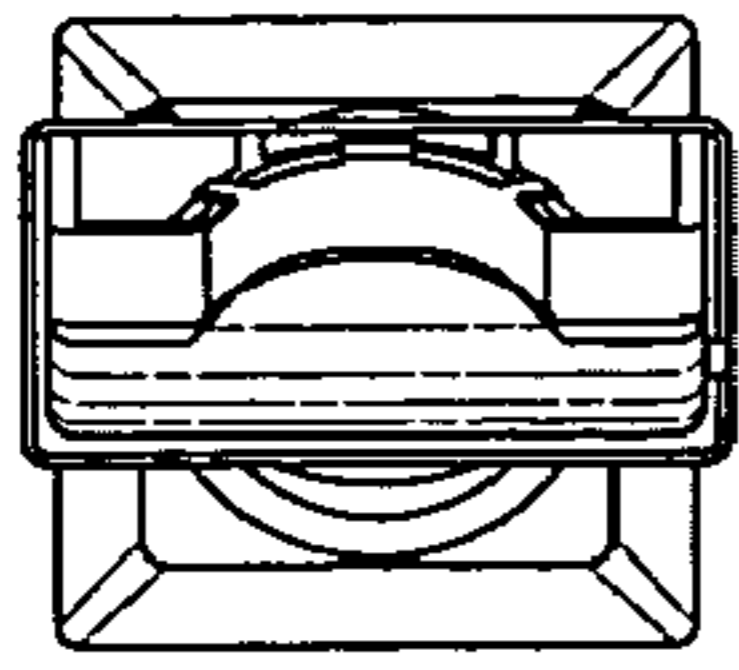


FIG. 5

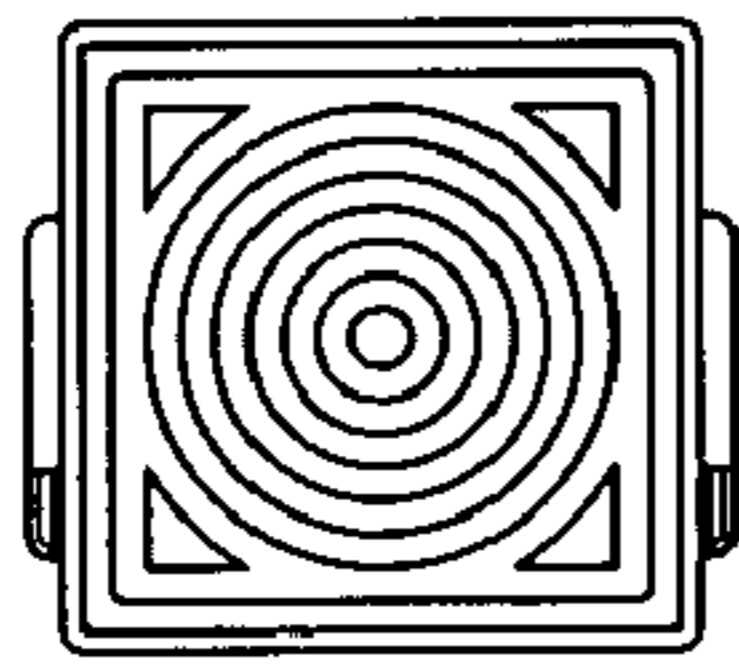


FIG. 6

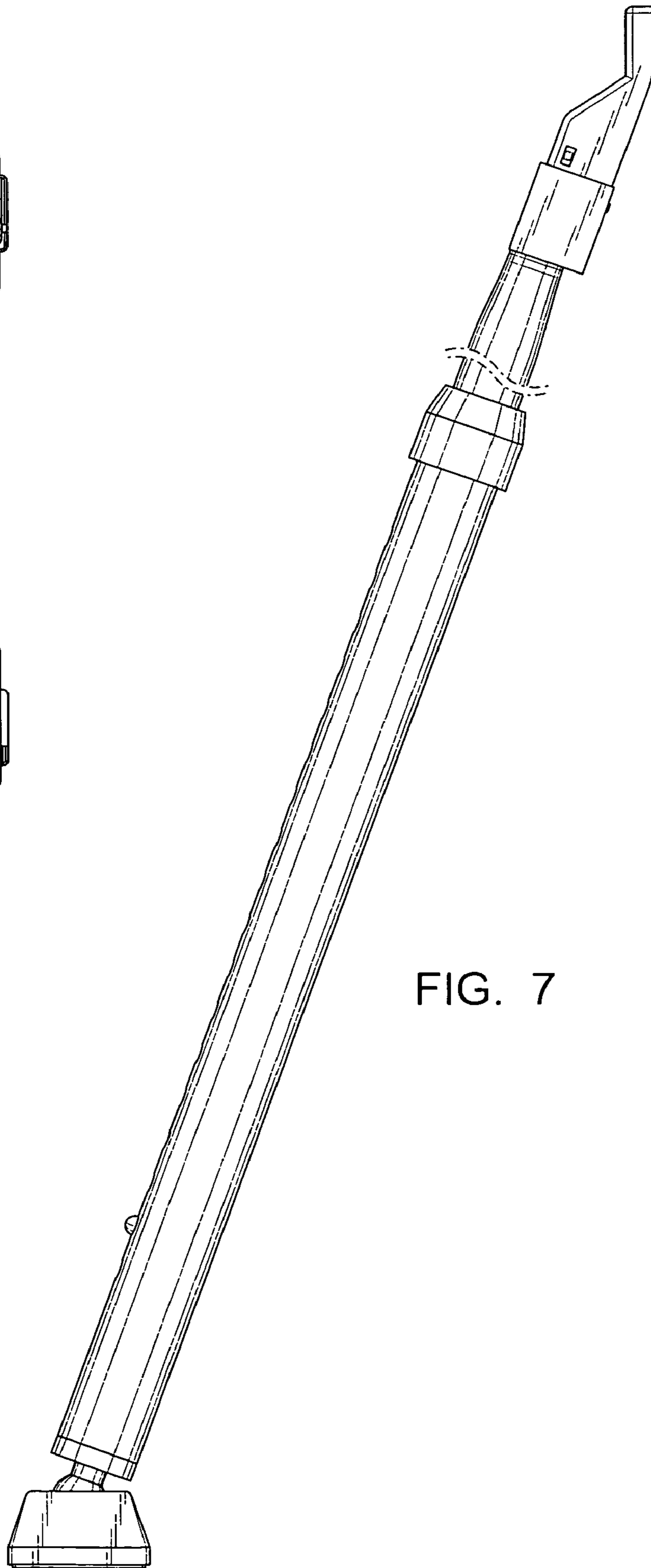


FIG. 7