



US00D583266S

(12) **United States Design Patent**  
**Wong**

(10) **Patent No.:** **US D583,266 S**  
(45) **Date of Patent:** **\*\* Dec. 23, 2008**

(54) **NON-CONTACT VOLTAGE TESTER**  
(75) Inventor: **Kingston T. Wong**, Beach Park, IL (US)  
(73) Assignee: **Klein Tools, Inc.**, Lincolnshire, IL (US)  
(\*\*) Term: **14 Years**  
(21) Appl. No.: **29/301,057**  
(22) Filed: **Feb. 7, 2008**

(51) **LOC (8) Cl.** ..... **10-04**  
(52) **U.S. Cl.** ..... **D10/78**  
(58) **Field of Classification Search** ..... D10/78;  
324/555, 556, 114, 133, 156, 72.5, 508; 340/654;  
379/21; 73/866.5  
See application file for complete search history.

(56) **References Cited**

**U.S. PATENT DOCUMENTS**

D351,562 S \* 10/1994 Moffatt et al. .... D10/78  
D371,747 S \* 7/1996 Strader ..... D10/78  
D383,988 S \* 9/1997 Luebke ..... D10/78  
5,877,618 A \* 3/1999 Luebke et al. .... 324/72.5  
D410,203 S \* 5/1999 Beha ..... D10/78  
6,377,054 B1 \* 4/2002 Beha ..... 324/556

D471,828 S \* 3/2003 Huang ..... D10/78  
D501,415 S \* 2/2005 Seymour ..... D10/78  
7,030,599 B2 \* 4/2006 Douglas ..... 324/72.5  
D571,240 S \* 6/2008 Chun ..... D10/78

\* cited by examiner

*Primary Examiner*—Antoine D Davis  
(74) *Attorney, Agent, or Firm*—Eugene M. Cummings, P.C.

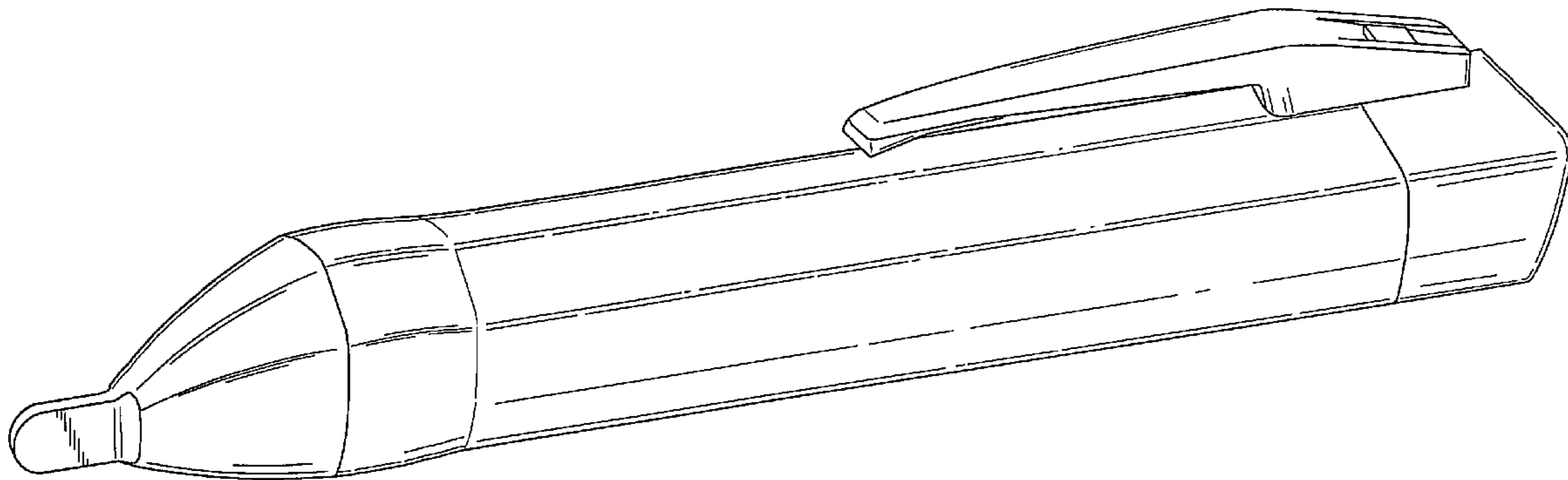
(57) **CLAIM**

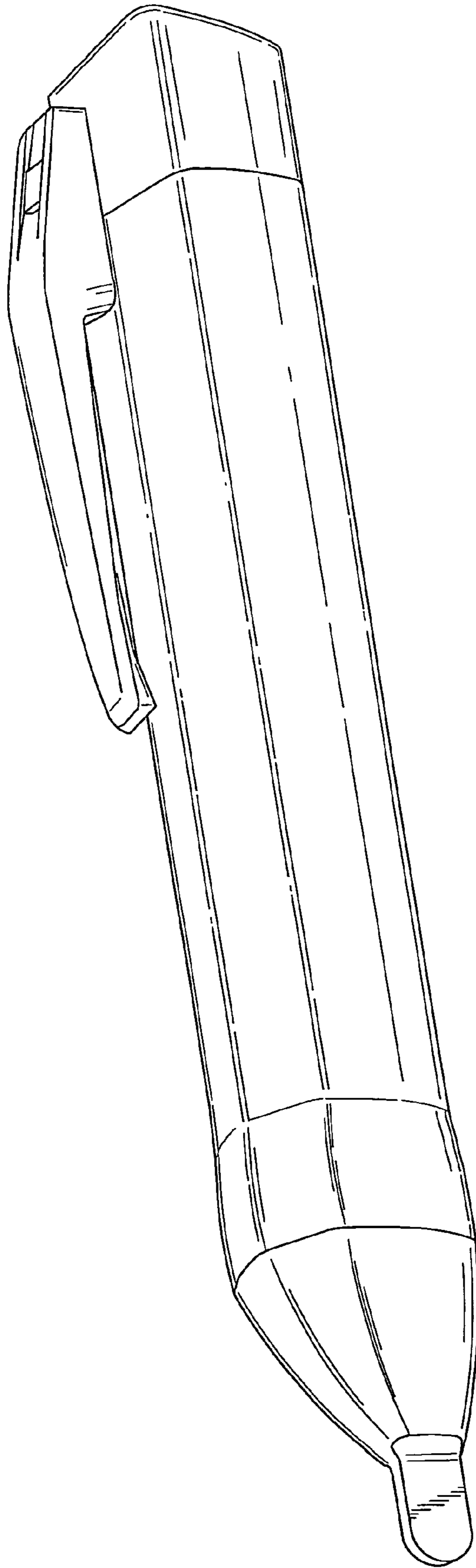
The ornamental design for the non-contact voltage tester, as shown and described.

**DESCRIPTION**

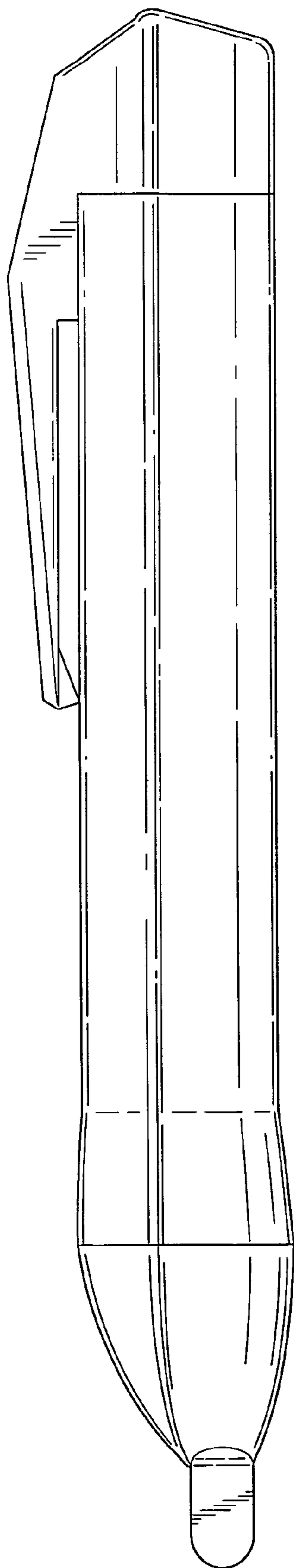
FIG. 1 is a perspective view of the non-contact voltage tester.  
FIG. 2 is a right side view of the non-contact voltage tester.  
FIG. 3 is a left side view of the non-contact voltage tester.  
FIG. 4 is a top view of the non-contact voltage tester.  
FIG. 5 is a bottom view of the non-contact voltage tester.  
FIG. 6 is a front view of the non-contact voltage tester; and,  
FIG. 7 is a rear view of the non-contact voltage tester.

**1 Claim, 3 Drawing Sheets**

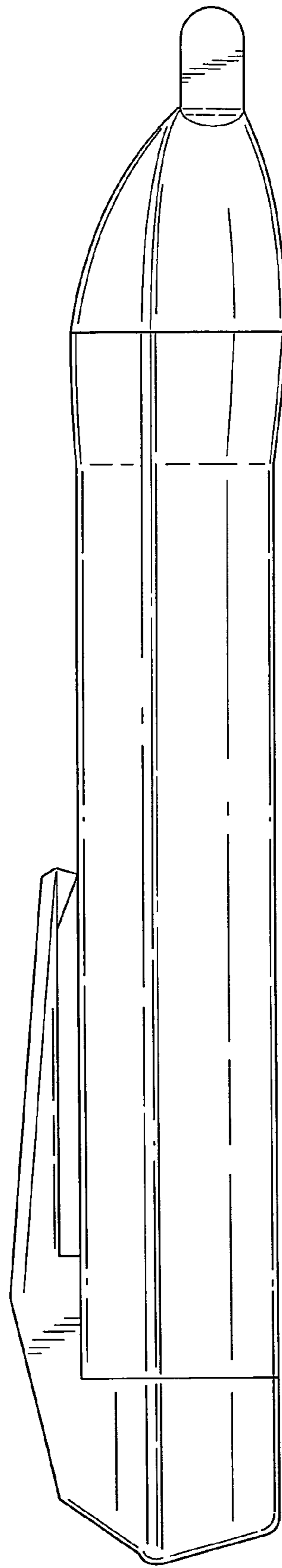




*Fig. 1*



*Fig. 2*



*Fig. 3*

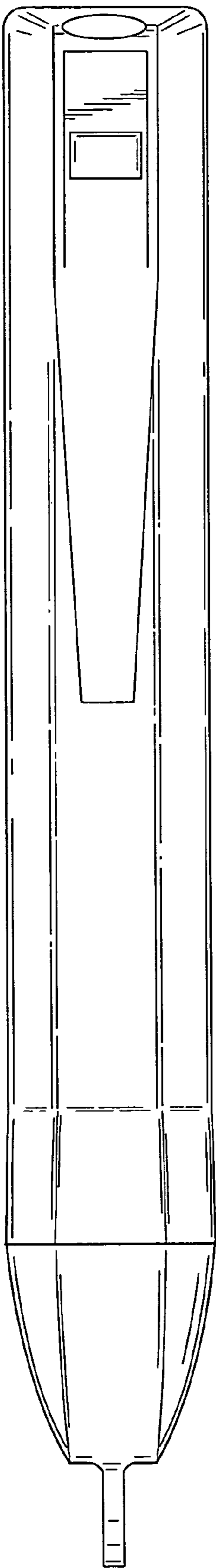


Fig. 4

Fig. 5

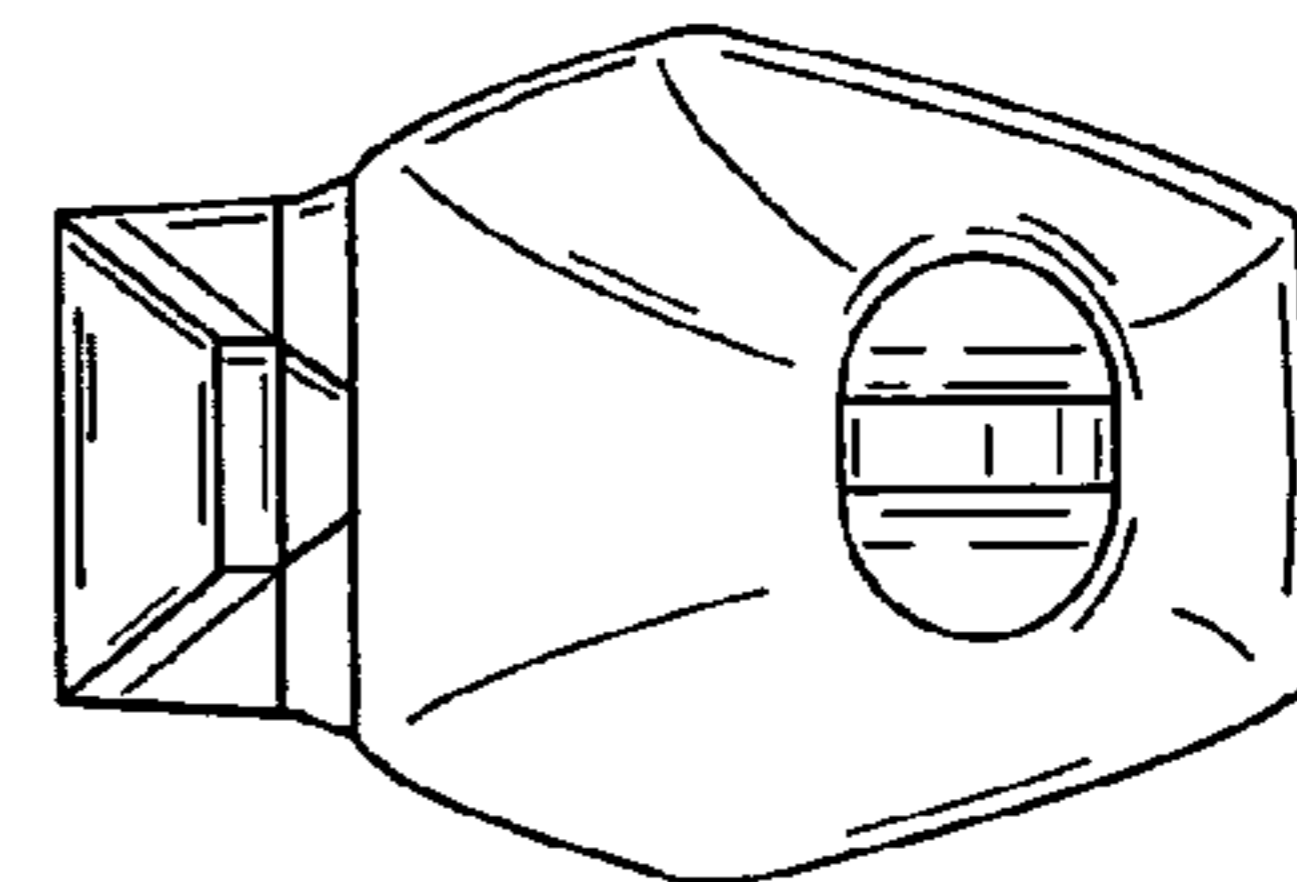
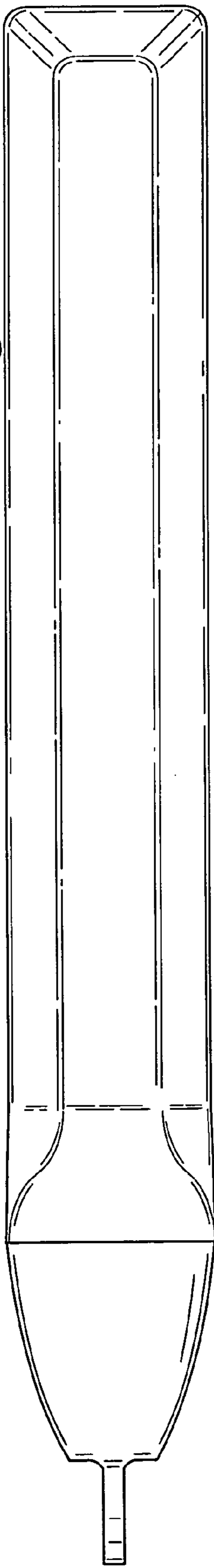


Fig. 6

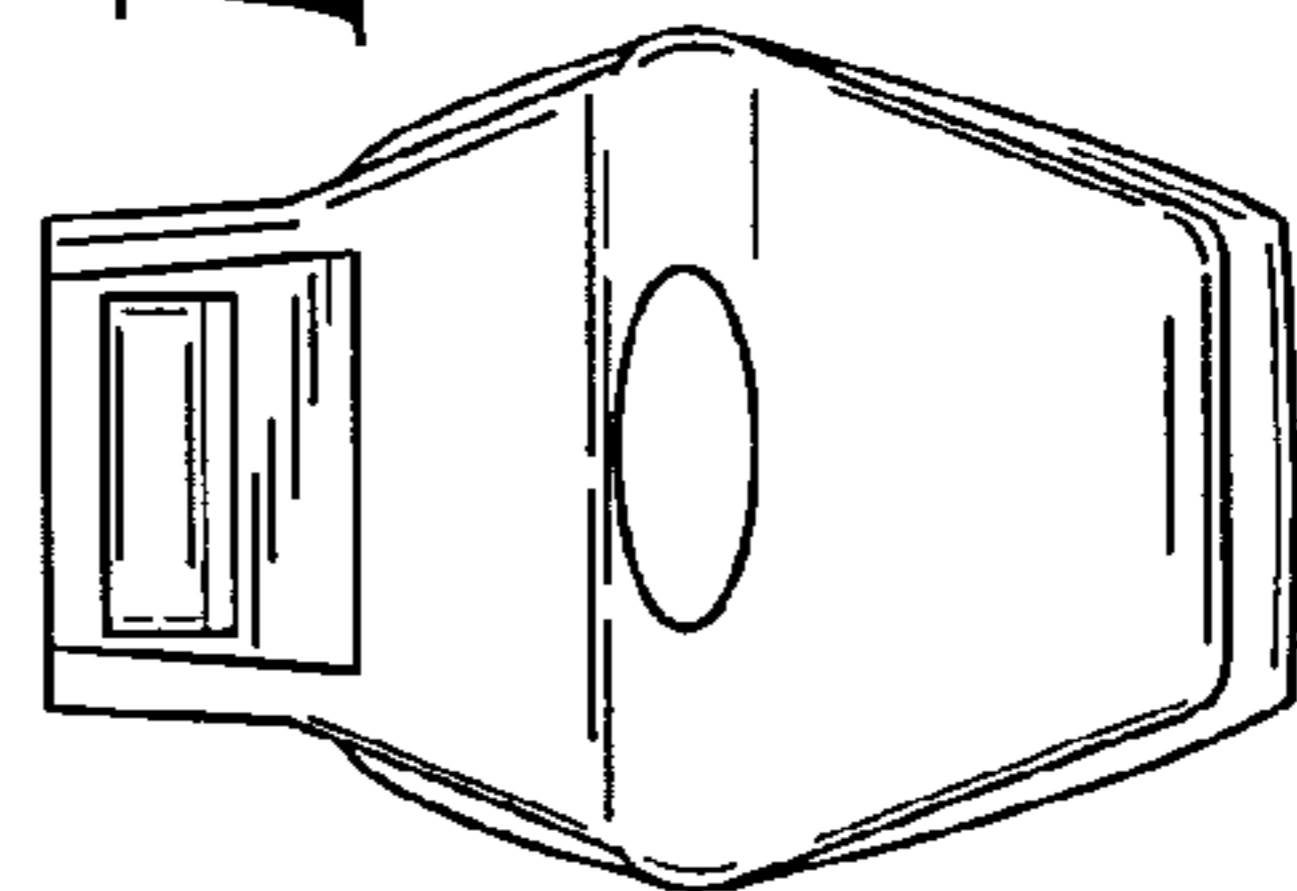


Fig. 7