



US00D583264S

(12) **United States Design Patent**
Haigler, Jr.

(10) **Patent No.:** **US D583,264 S**

(45) **Date of Patent:** **** Dec. 23, 2008**

(54) **CURB CONSTRUCTION GAUGE**

6,966,119 B1 * 11/2005 Dlugoleski 33/194
7,331,560 B2 * 2/2008 Jessop et al. 249/5

(76) Inventor: **James F. Haigler, Jr.**, 8717 Coach Wood Ct., Charlotte, NC (US) 28216

* cited by examiner

(**) Term: **14 Years**

Primary Examiner—Antoine D Davis

(21) Appl. No.: **29/303,101**

(57) **CLAIM**

(22) Filed: **Jan. 31, 2008**

The ornamental design for a curb construction gauge, as shown and described.

(51) **LOC (8) Cl.** **10-04**

(52) **U.S. Cl.** **D10/65**

(58) **Field of Classification Search** D10/65,
D10/69; 33/193–197, 518, 526–528, 562;
52/392; 249/4, 5, 8, 33, 118, 155, 208; 256/13.1;
403/337; 404/988

See application file for complete search history.

DESCRIPTION

FIG. 1 is a front elevational view of a curb construction gauge showing my new design;

FIG. 2 is a left elevation view thereof;

FIG. 3 is a right elevation view thereof;

FIG. 4 is a top plan view thereof;

FIG. 5 is a bottom plan view thereof; and,

FIG. 6 is an isometric view thereof.

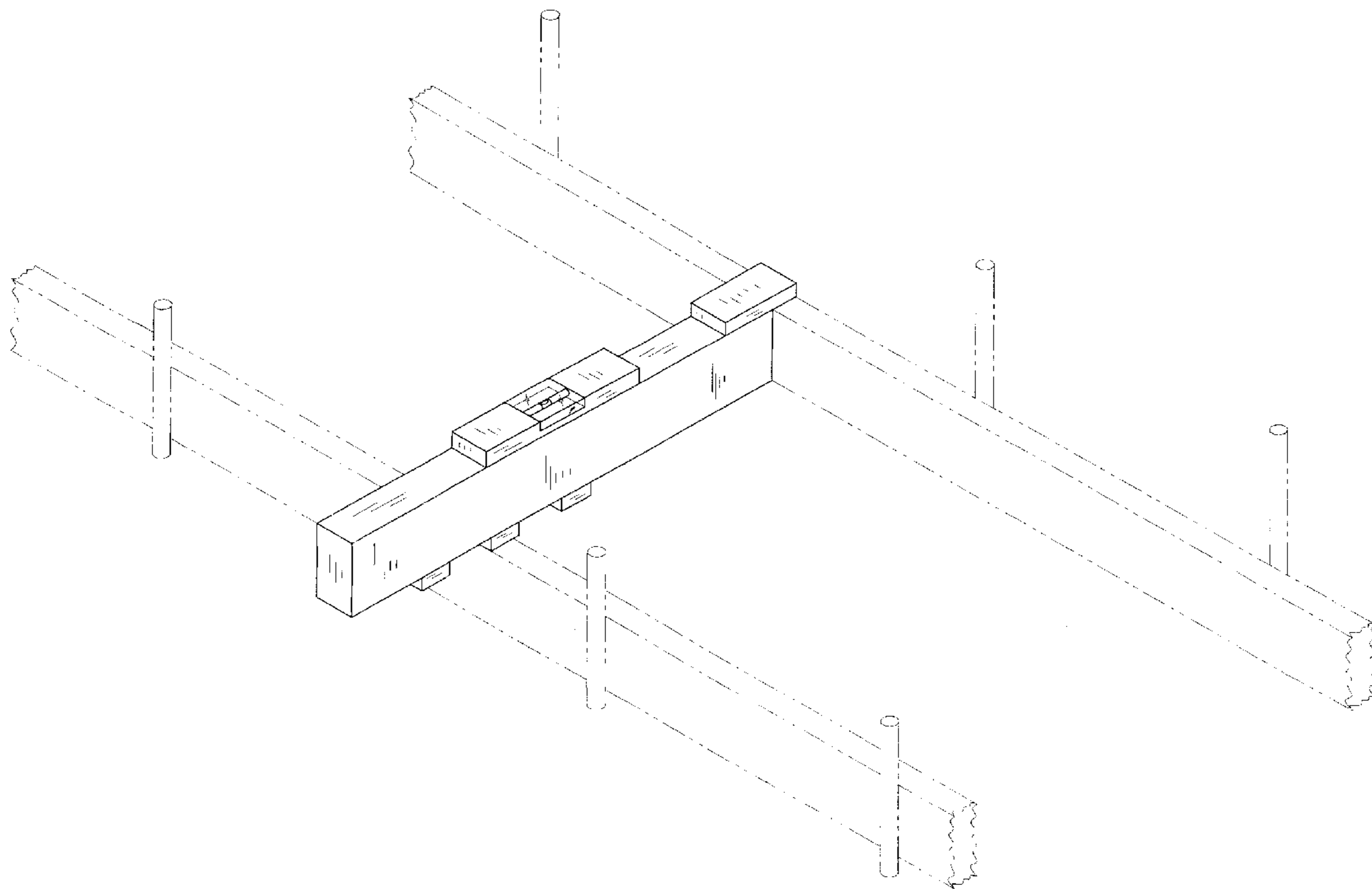
The broken lines shown in FIG. 6 are for illustrative purposes only and form no part of the claimed design.

(56) **References Cited**

U.S. PATENT DOCUMENTS

- 1,264,371 A * 4/1918 Crossley 33/197
- 2,306,450 A 12/1942 Lewis
- 3,379,105 A 4/1968 Lynch
- 3,389,646 A 6/1968 Ruggles

1 Claim, 3 Drawing Sheets



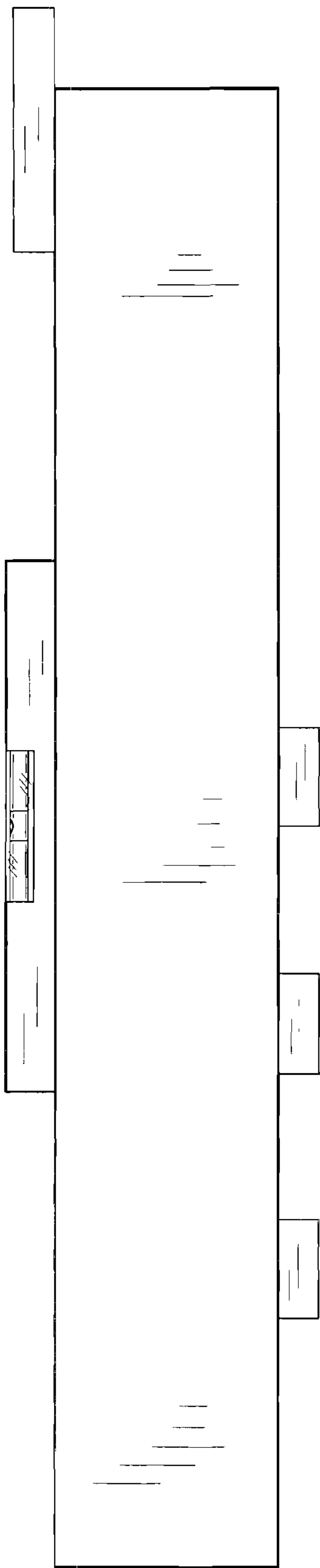


FIG. 1

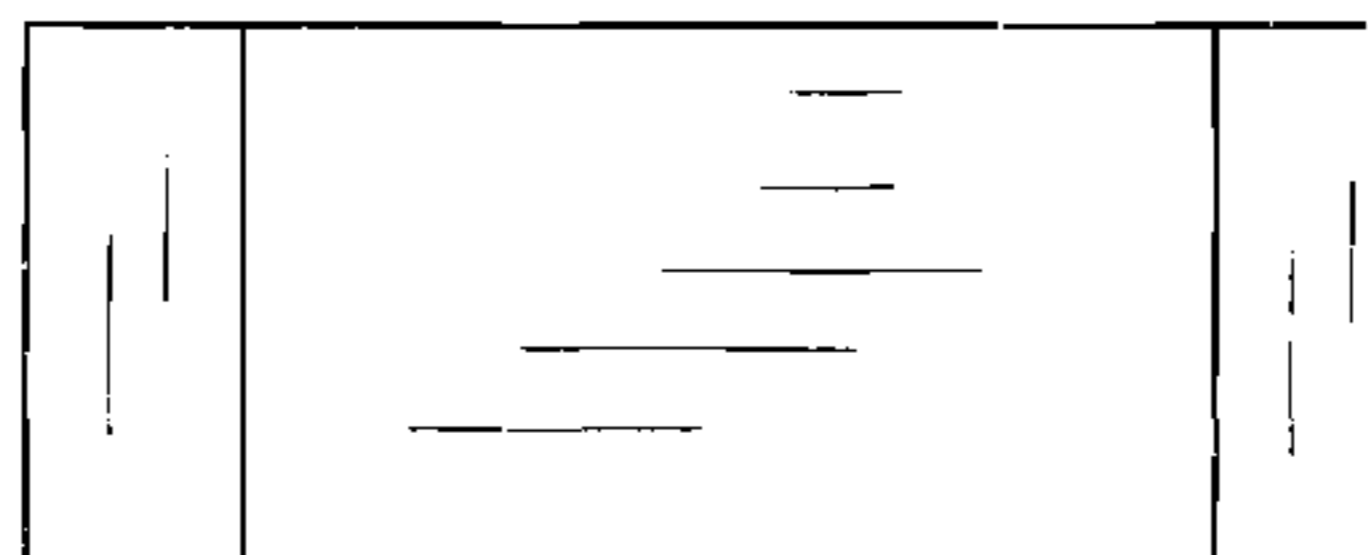


FIG. 2

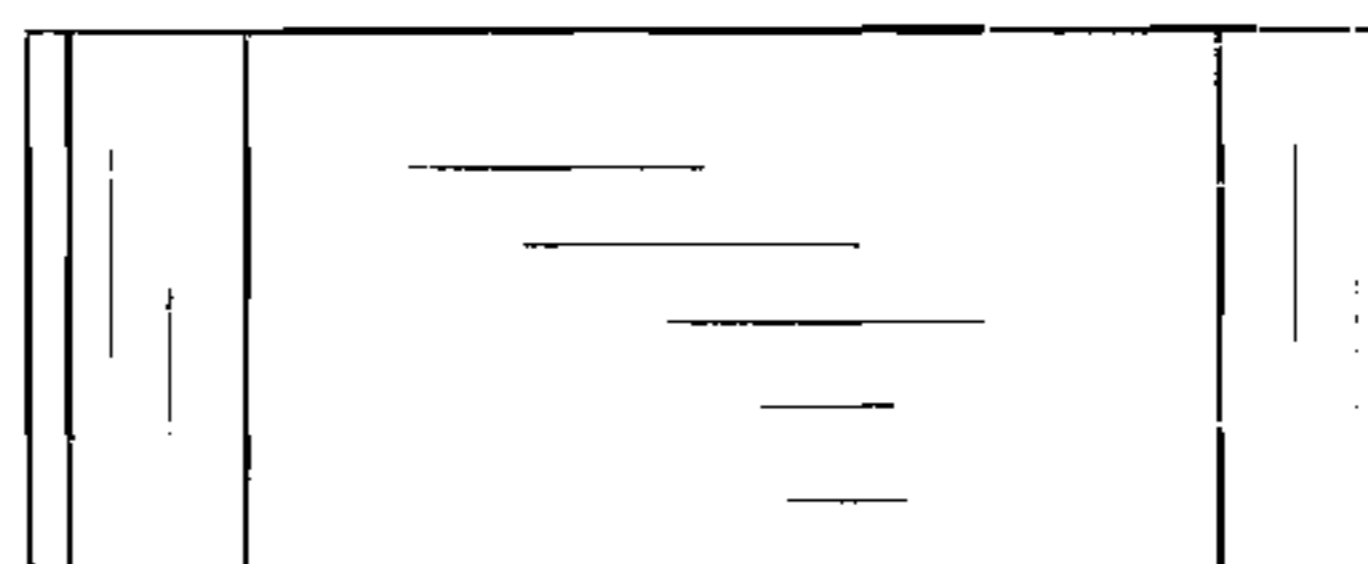


FIG. 3

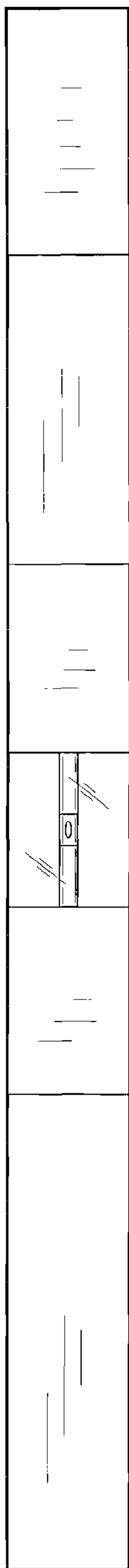


FIG. 4



FIG. 5

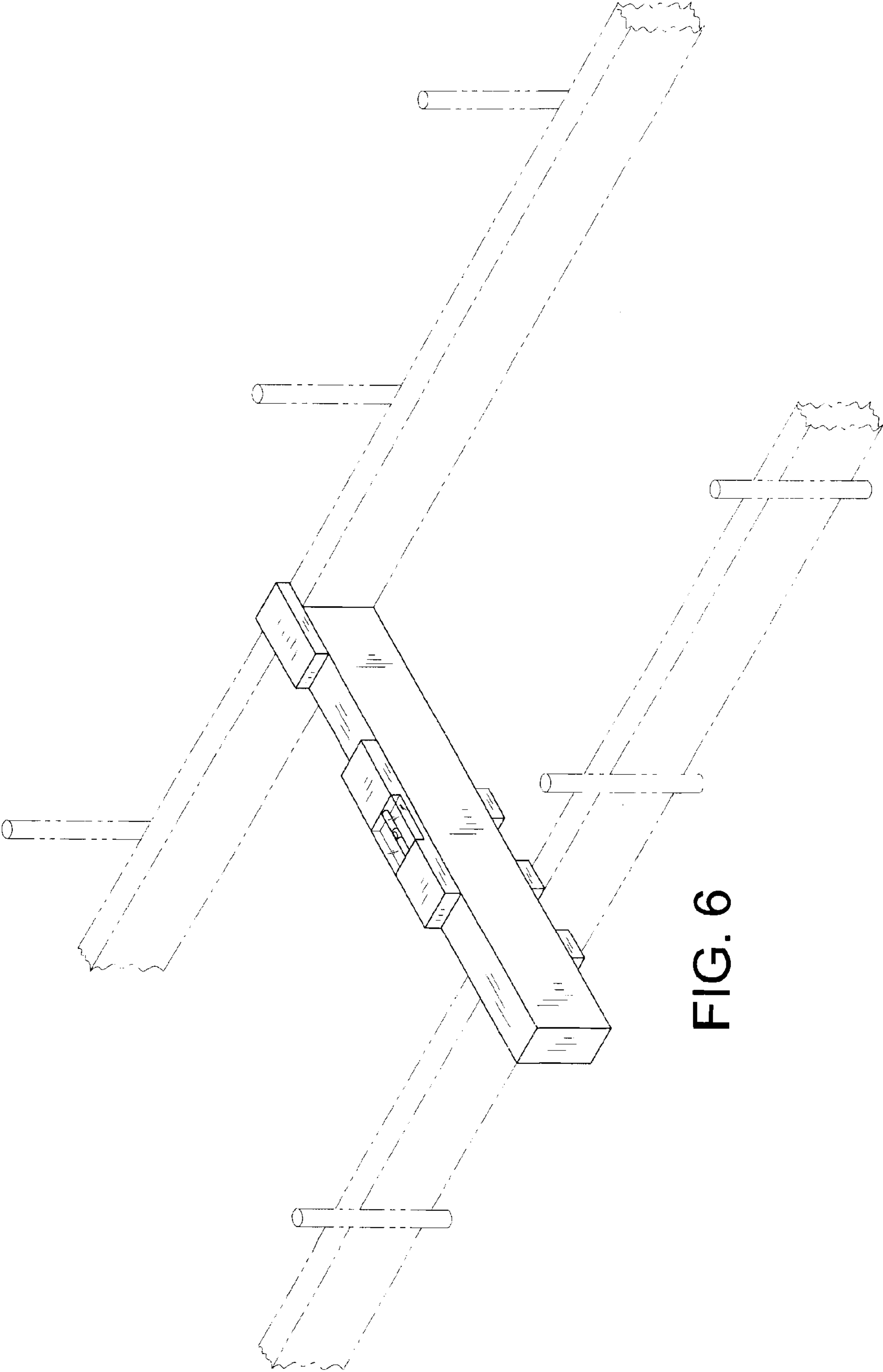


FIG. 6