



US00D583261S

(12) **United States Design Patent**
Johnson et al.

(10) **Patent No.:** **US D583,261 S**
(45) **Date of Patent:** **** Dec. 23, 2008**

(54) **HAND HELD METAL DETECTOR**

(75) Inventors: **Gerald Lee Johnson**, Garland, TX (US);
Robert J. Podhrasky, Dallas, TX (US)

(73) Assignee: **Garrett Electronics, Inc.**, Garland, TX (US)

(**) Term: **14 Years**

(21) Appl. No.: **29/318,829**

(22) Filed: **May 29, 2008**

(51) **LOC (8) Cl.** **10-04**

(52) **U.S. Cl.** **D10/47**

(58) **Field of Classification Search** D10/47,
D10/78; 324/327, 328, 233, 329; 340/368
See application file for complete search history.

(56) **References Cited**

U.S. PATENT DOCUMENTS

D263,380 S	3/1982	Hay	
5,097,211 A	3/1992	Schonstedt	
D410,399 S	6/1999	De Torfino	
D423,377 S	4/2000	Atterbury et al.	
D459,245 S	6/2002	Power	
D459,246 S	6/2002	Power et al.	
D497,559 S	* 10/2004	Johnson	D10/47
D513,706 S	* 1/2006	Johnson	D10/47

OTHER PUBLICATIONS

Garret Metal Detectors "2008 Security Buyer's Guide" published by
Garret Electronics, Inc., Garland TX.

Treasure Products Vibra-Probe 570 Metal Detector Internet Web
Page <http://www.treasureproducts.com/vibraprobe.html>.

Detection.com Fisher F-Point Metal Detector Internet Web Page
<http://www.detection.com/Fisher/F-point.html>.

White's Electronics Bulleye II Pinpointer Metal Detector Internet
Web Page <http://hobby.us.whiteselectronics.com/content/view/40/55>.

* cited by examiner

Primary Examiner—Antoine D Davis

(74) *Attorney, Agent, or Firm*—Dan Brown Law Office;
Daniel R. Brown

(57) **CLAIM**

The ornamental design for a hand-held metal detector, as
shown and described.

DESCRIPTION

FIG. 1 is a perspective view of a hand-held metal detector.

FIG. 2 is a front end view of a hand-held metal detector.

FIG. 3 is a back end view of a hand-held metal detector.

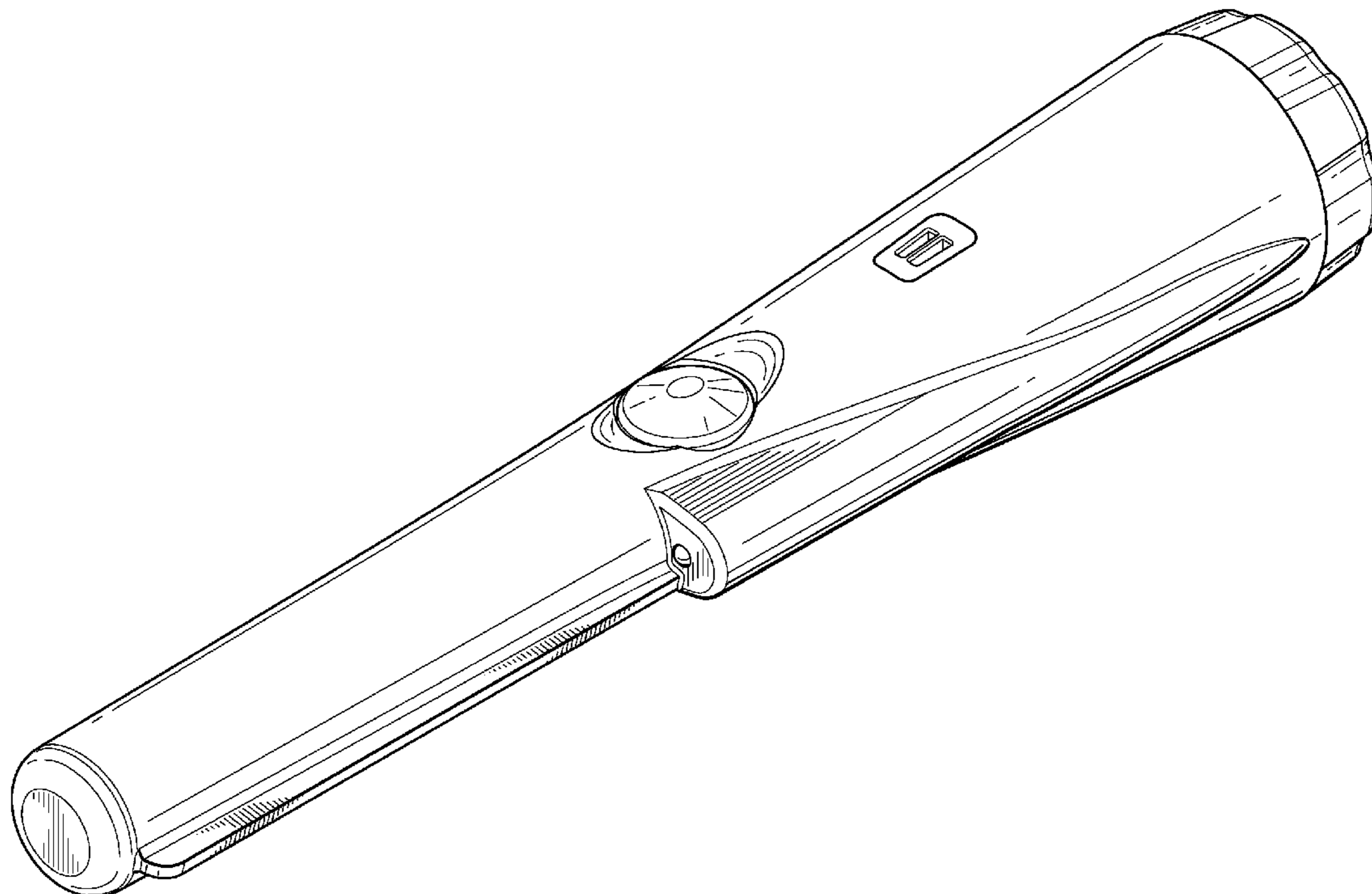
FIG. 4 is a left side view of a hand-held metal detector.

FIG. 5 is a right side view of a hand-held metal detector.

FIG. 6 is a top view of a hand-held metal detector; and,

FIG. 7 is a bottom view of a hand-held metal detector.

1 Claim, 3 Drawing Sheets



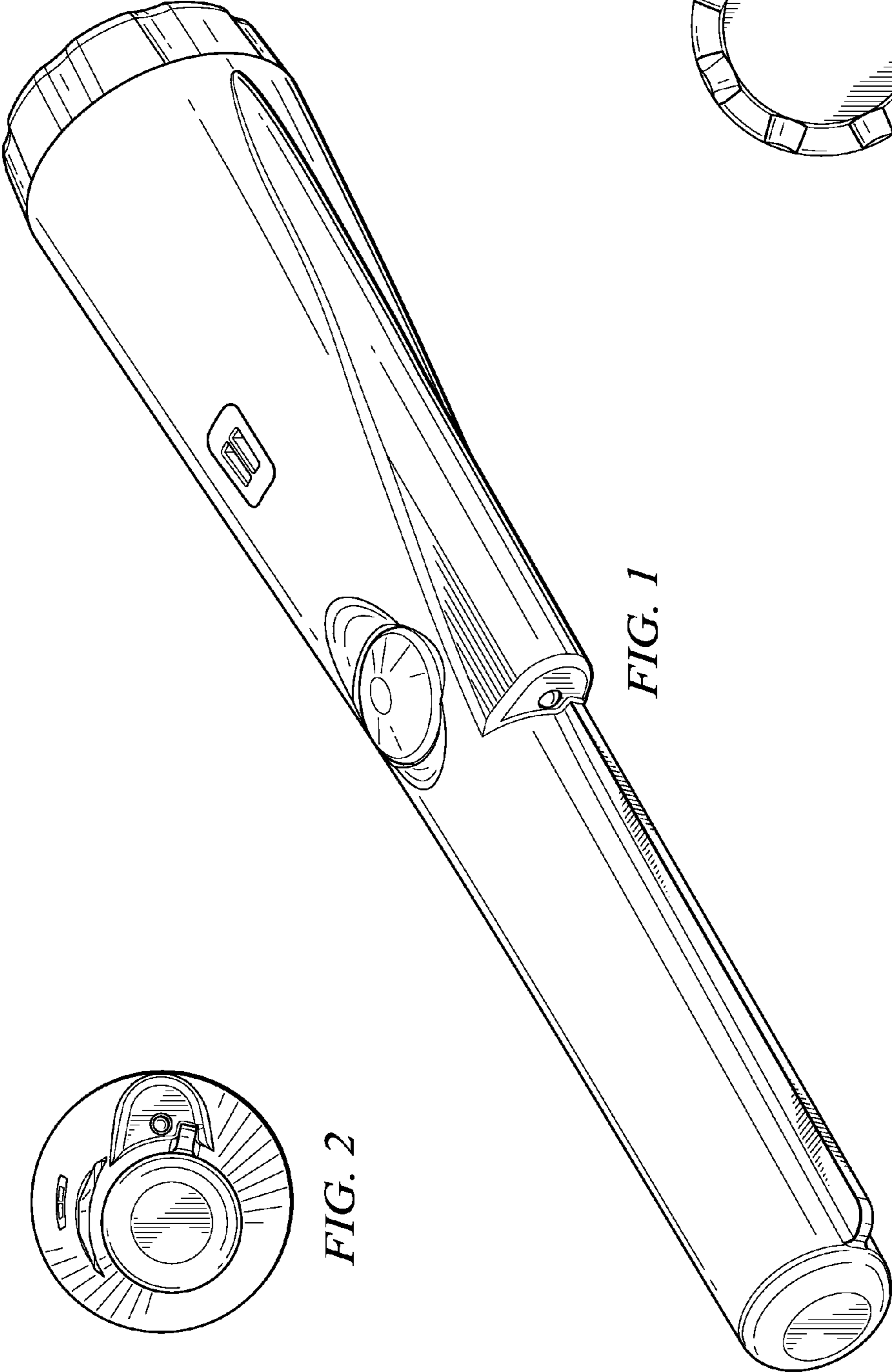


FIG. 1

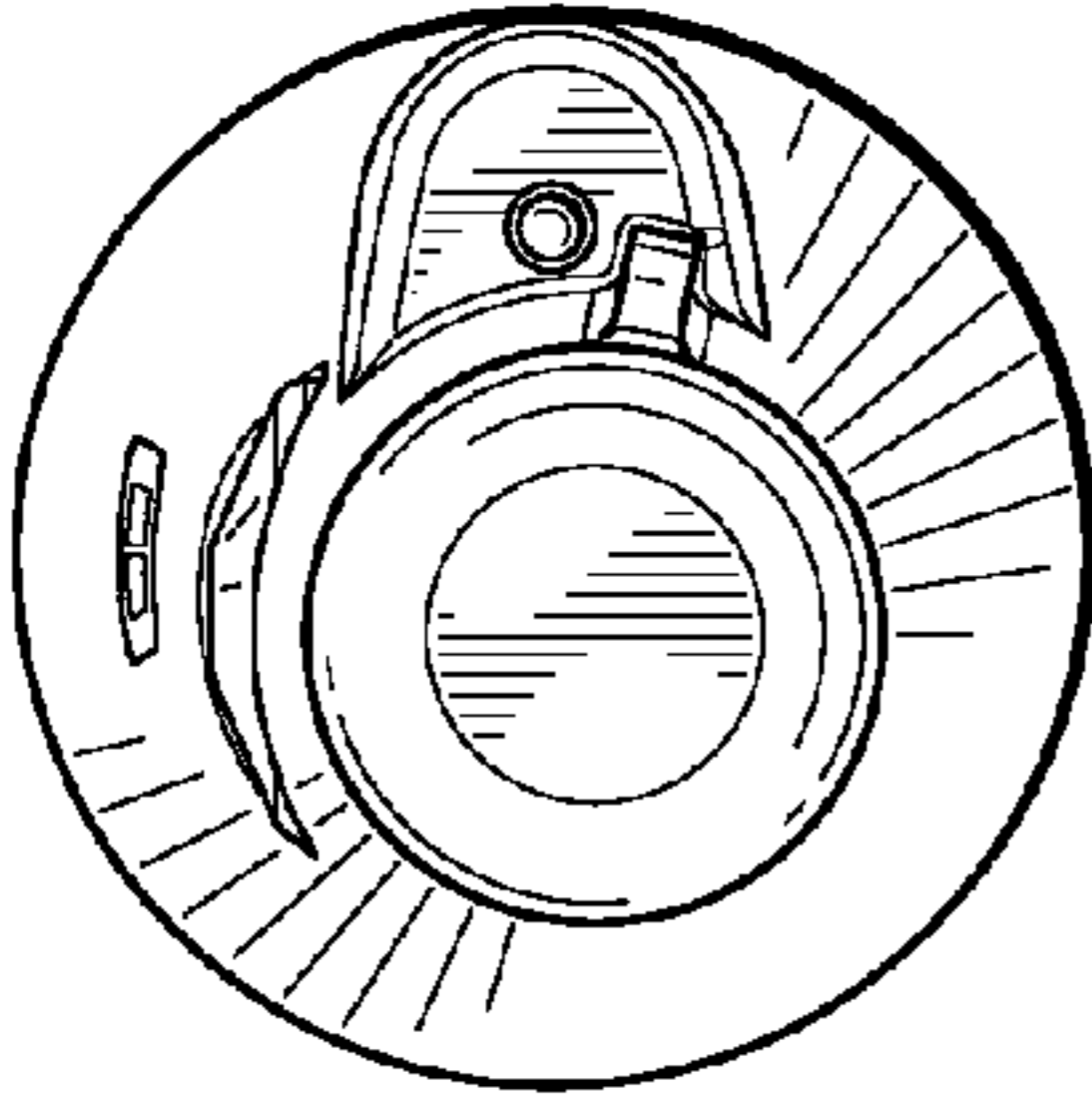


FIG. 2

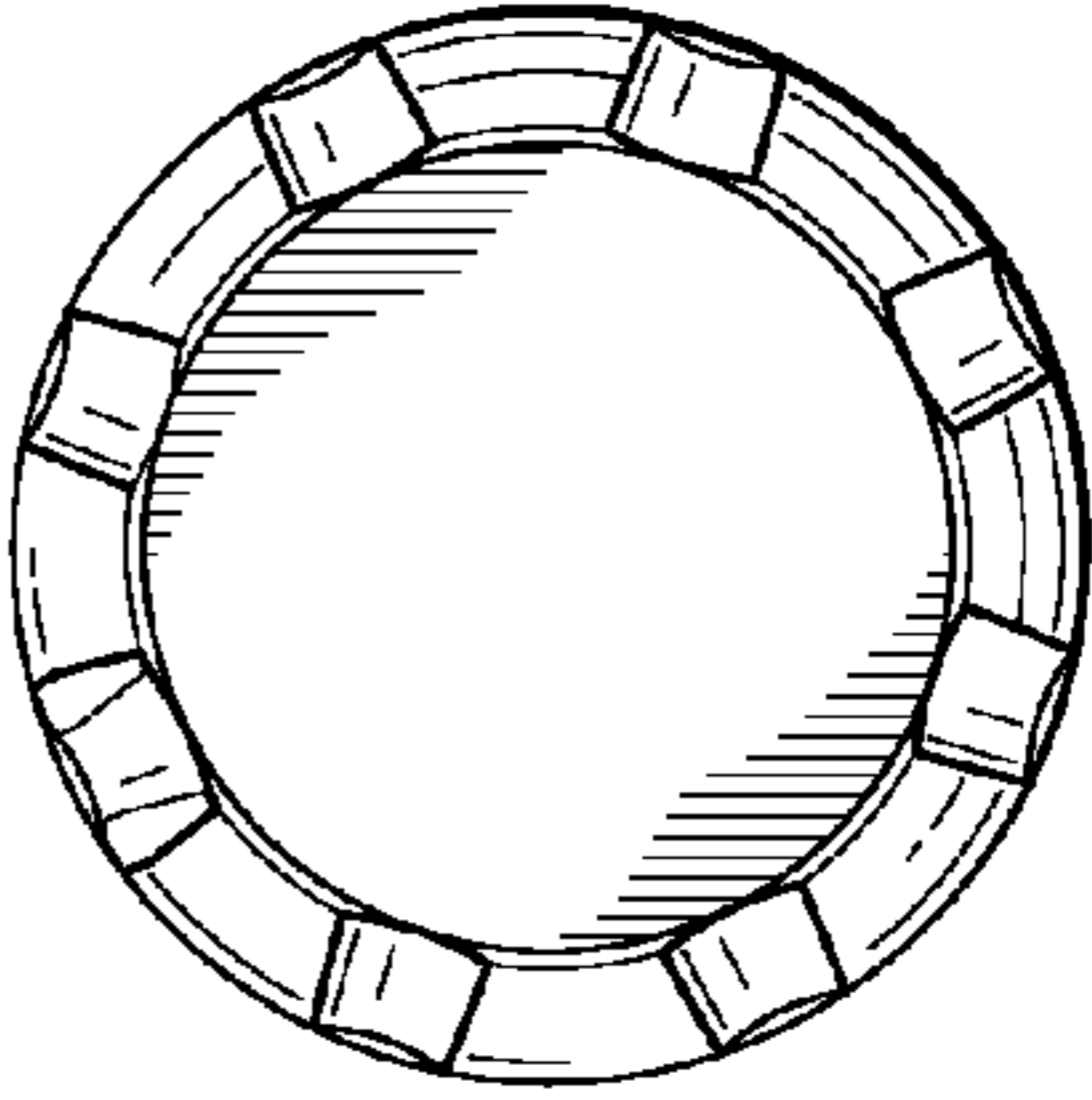


FIG. 3

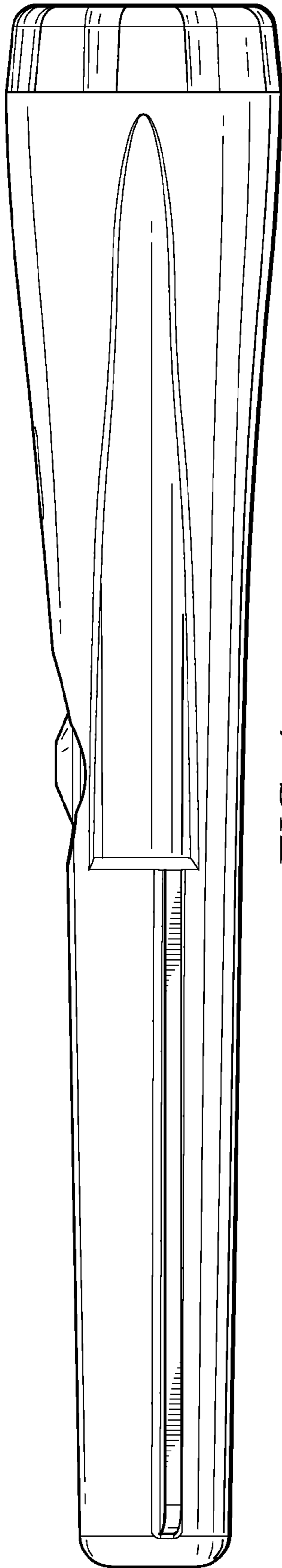


FIG. 4

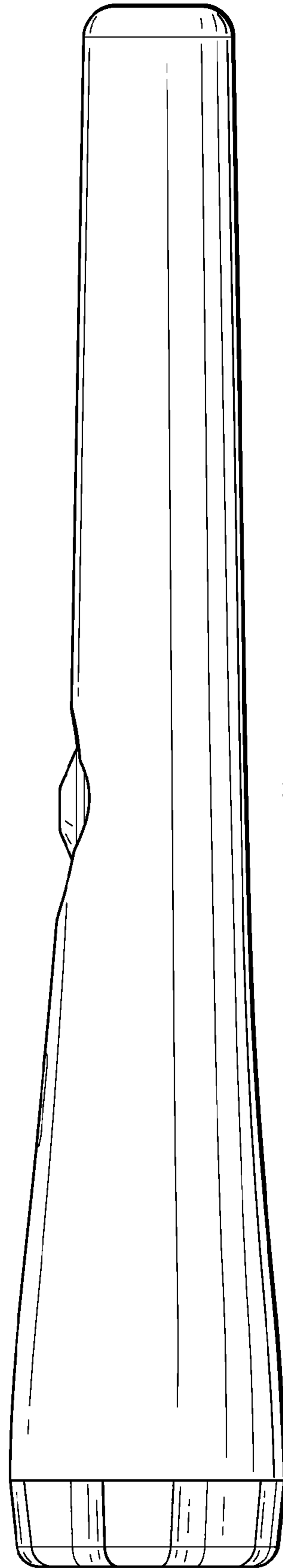


FIG. 5

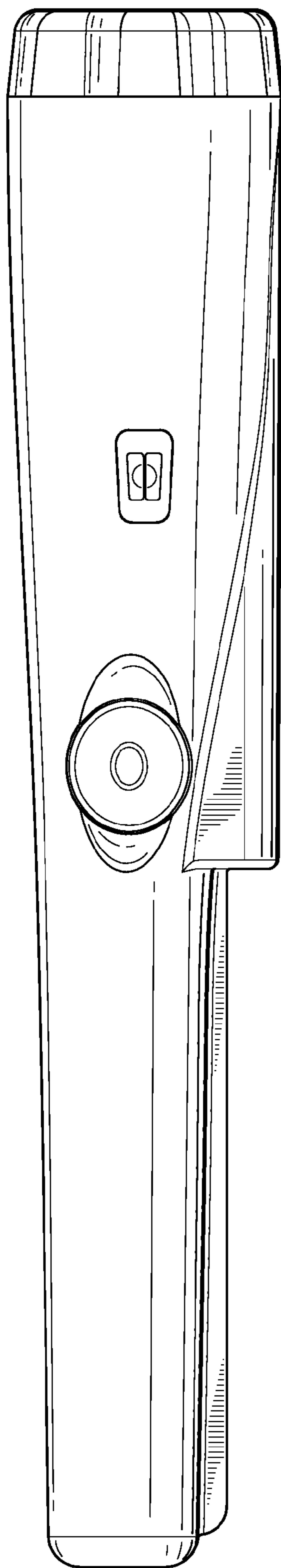


FIG. 6

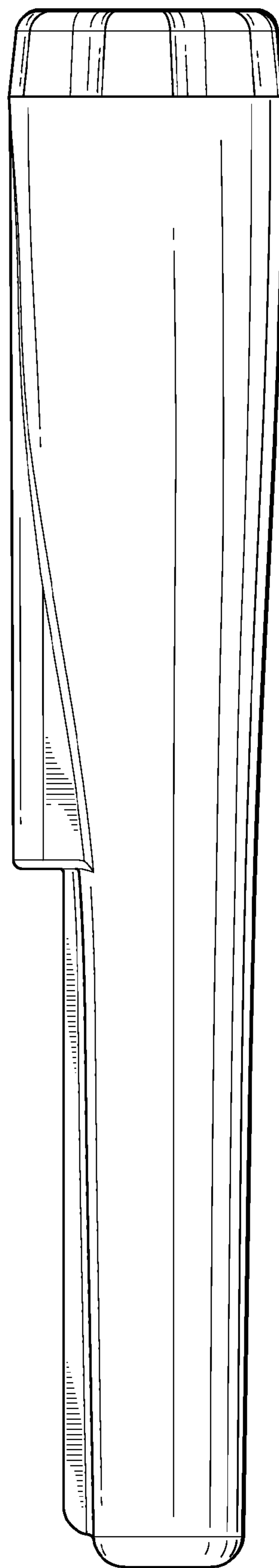


FIG. 7