



US00D583260S

(12) **United States Design Patent**
Shih

(10) **Patent No.:** **US D583,260 S**

(45) **Date of Patent:** **** Dec. 23, 2008**

(54) **CHRONOMETRIC COUNTER**

(75) Inventor: **Huan Shih**, Taipei (TW)

(73) Assignee: **Texmore Industrial Co., Ltd** (TW)

(**) Term: **14 Years**

(21) Appl. No.: **29/290,363**

(22) Filed: **Nov. 27, 2007**

(51) **LOC (8) Cl.** **10-03**

(52) **U.S. Cl.** **D10/40**

(58) **Field of Classification Search** D10/40,
D10/41, 30, 31, 37; 368/107-123, 285, 276,
368/316

See application file for complete search history.

(56) **References Cited**

U.S. PATENT DOCUMENTS

D267,785	S	*	2/1983	Heuer	D10/30
4,451,158	A	*	5/1984	Selwyn et al.	368/63
D284,358	S	*	6/1986	Chan	D10/40
4,711,585	A	*	12/1987	Fresquez et al.	368/109
D301,014	S	*	5/1989	Houlihan	D10/30
D303,771	S	*	10/1989	Chan	D10/40
D337,952	S	*	8/1993	Wolff	D10/30
D352,463	S	*	11/1994	Kubo	D10/31
D389,747	S	*	1/1998	Ramos et al.	D10/30
D393,597	S	*	4/1998	Pail	D10/30
D396,193	S	*	7/1998	Pail	D10/30

D404,654	S	*	1/1999	Kume et al.	D10/30
D424,452	S	*	5/2000	Li	D10/40
D427,085	S	*	6/2000	Steinhagen	D10/40
D439,170	S	*	3/2001	Chan	D10/30
D439,171	S	*	3/2001	Wa	D10/30
6,636,458	B1	*	10/2003	Uptegraph	368/88
6,785,193	B2	*	8/2004	Forbath	368/108

* cited by examiner

Primary Examiner—Lucy Lieberman

(74) *Attorney, Agent, or Firm*—HersHKovitz & Associates, LLC; Abe HersHKovitz

(57) **CLAIM**

The ornamental design for a chronometric counter, as shown.

DESCRIPTION

FIG. 1 is a top, front and right side perspective view of a chronometric counter showing my new design;

FIG. 2 is a front view thereof;

FIG. 3 is a rear view thereof;

FIG. 4 is a left side view thereof;

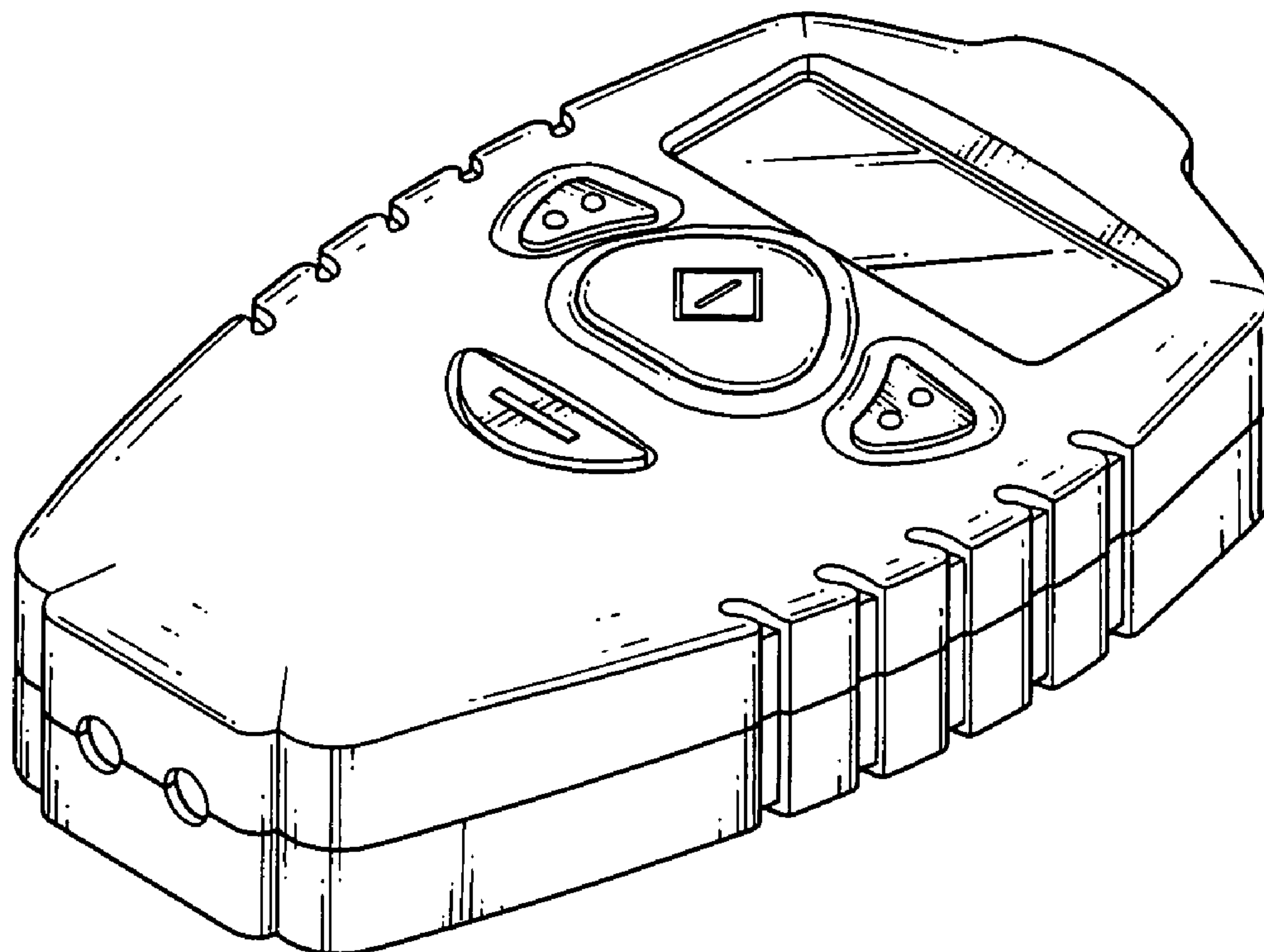
FIG. 5 is a right side view thereof;

FIG. 6 is a top view thereof;

FIG. 7 is a bottom view thereof; and,

FIG. 8 is a bottom, front and left side perspective view thereof.

1 Claim, 5 Drawing Sheets



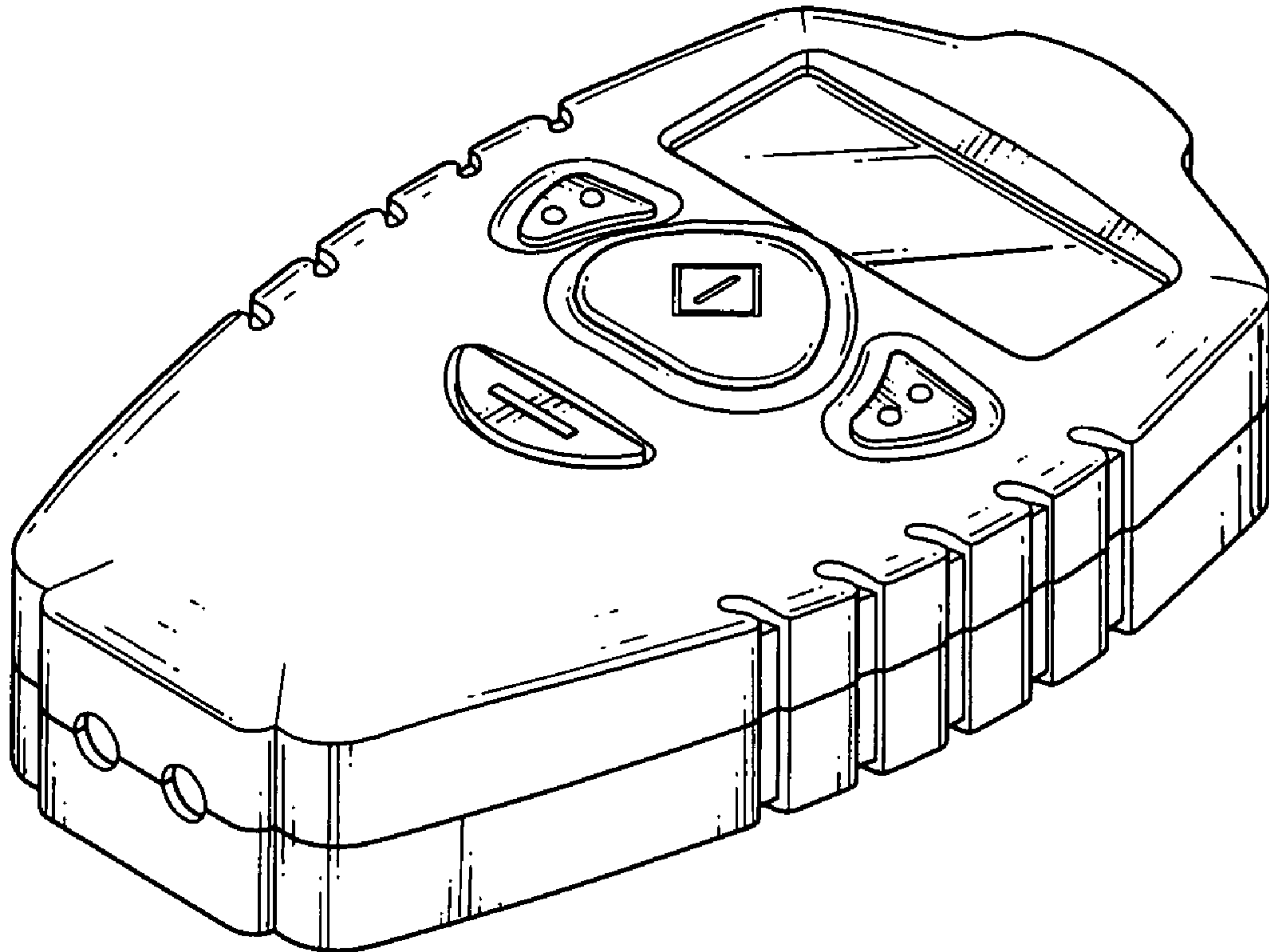


FIG. 1

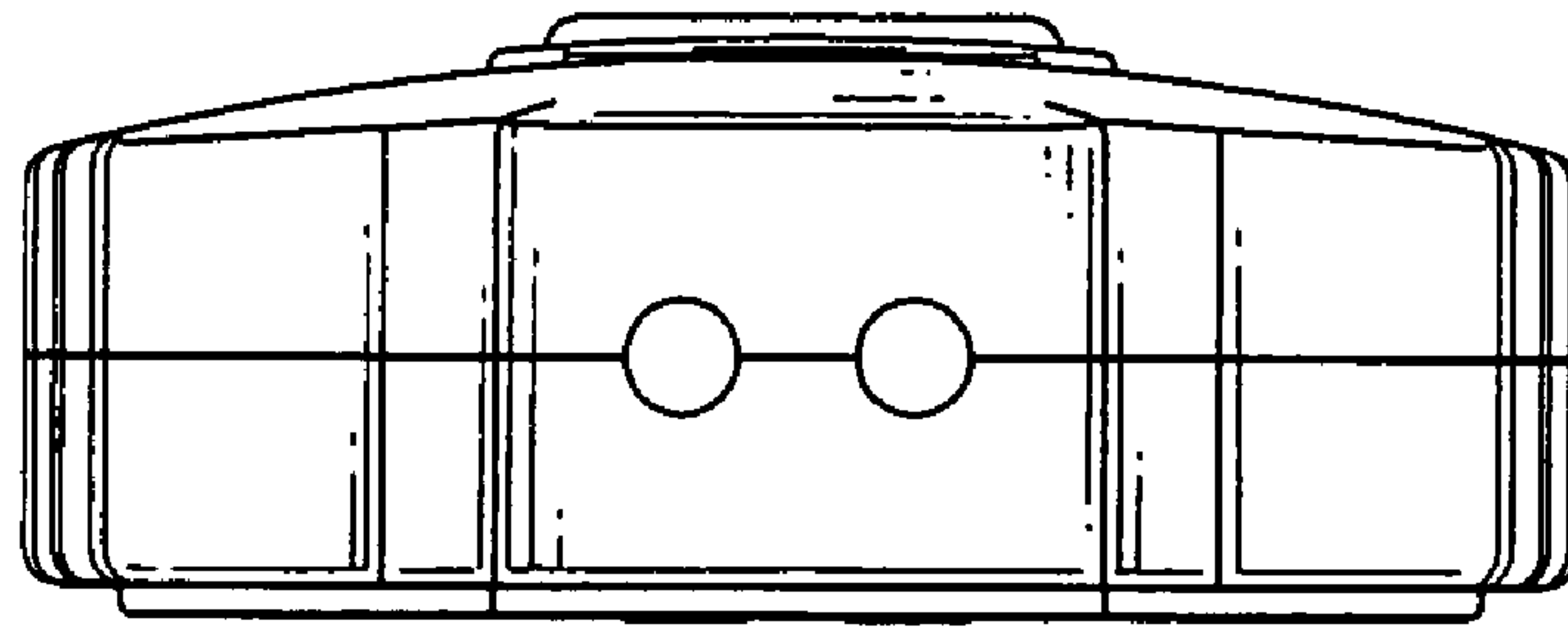


FIG. 2

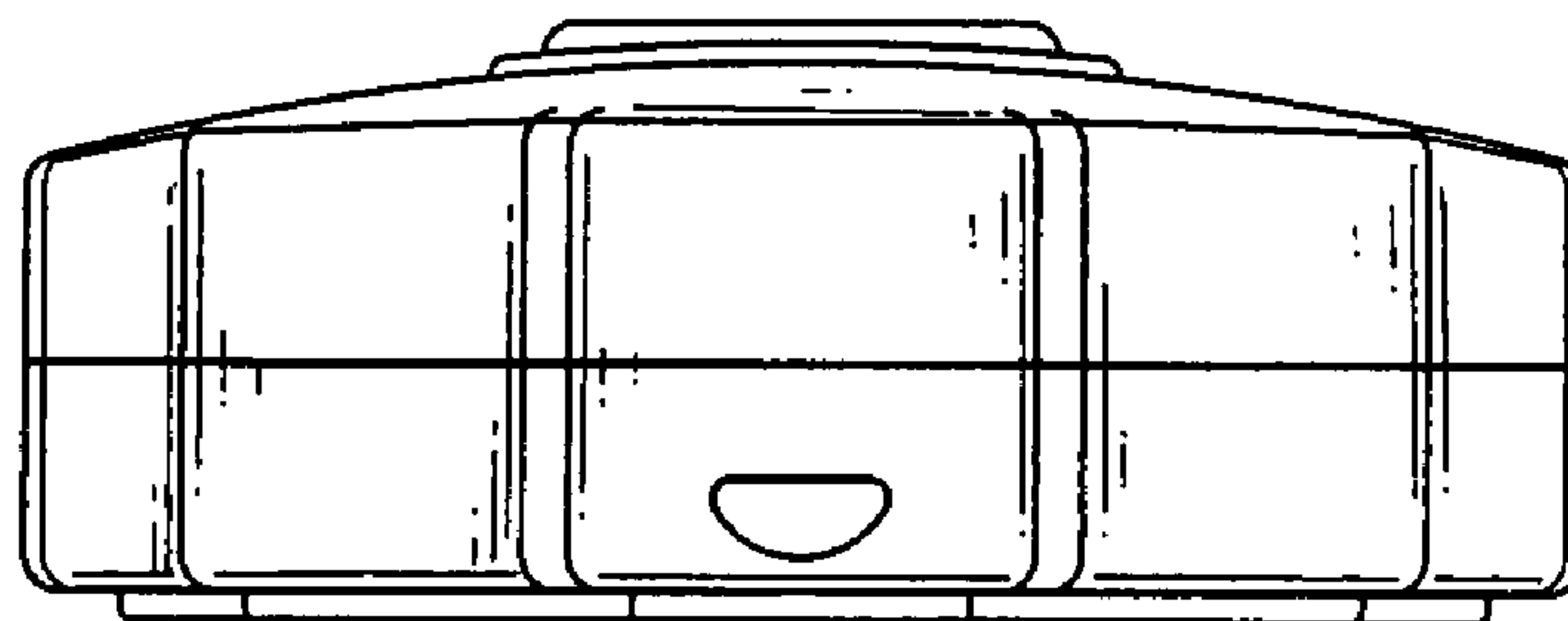


FIG. 3

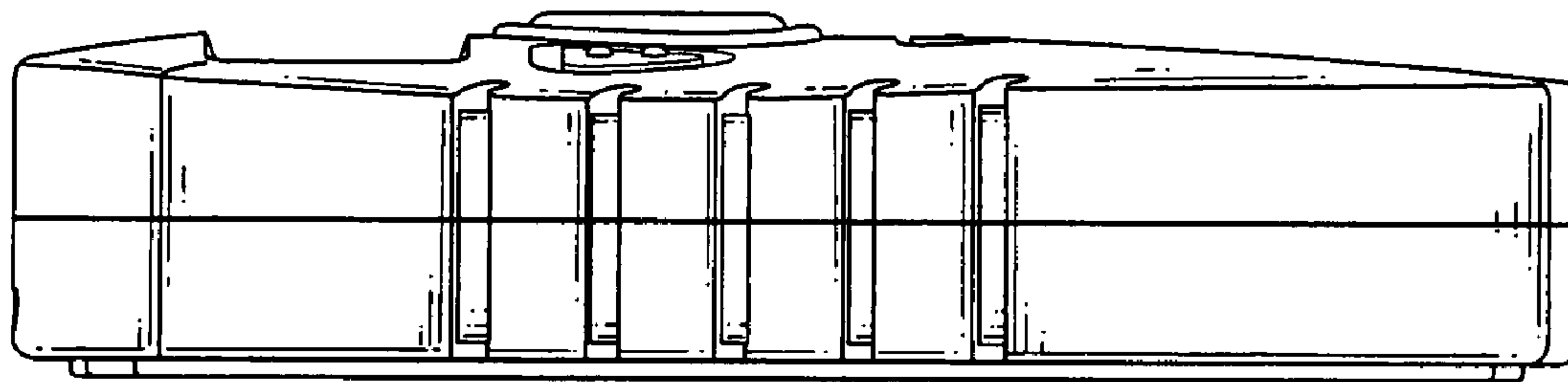


FIG. 4

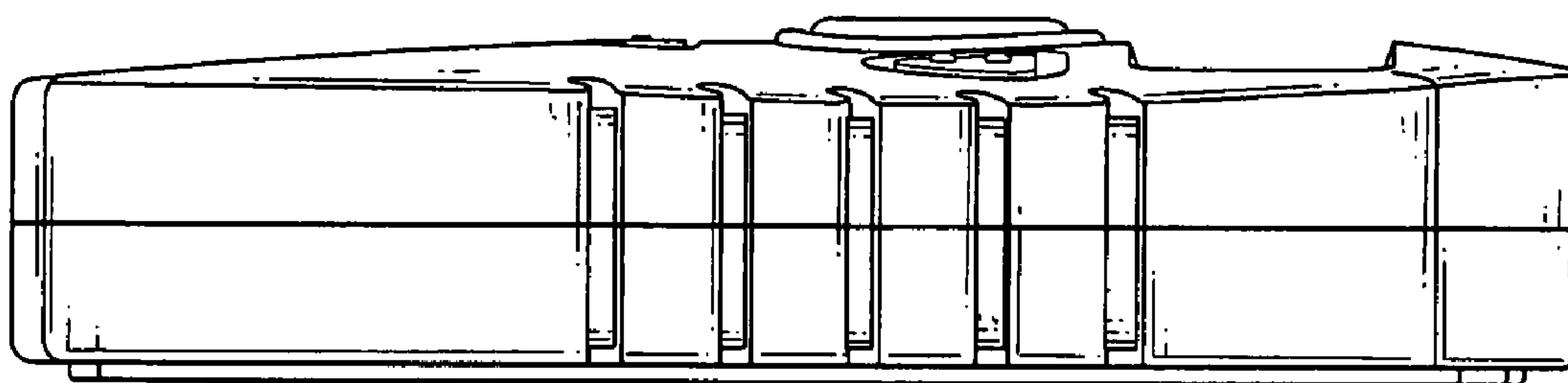


FIG. 5

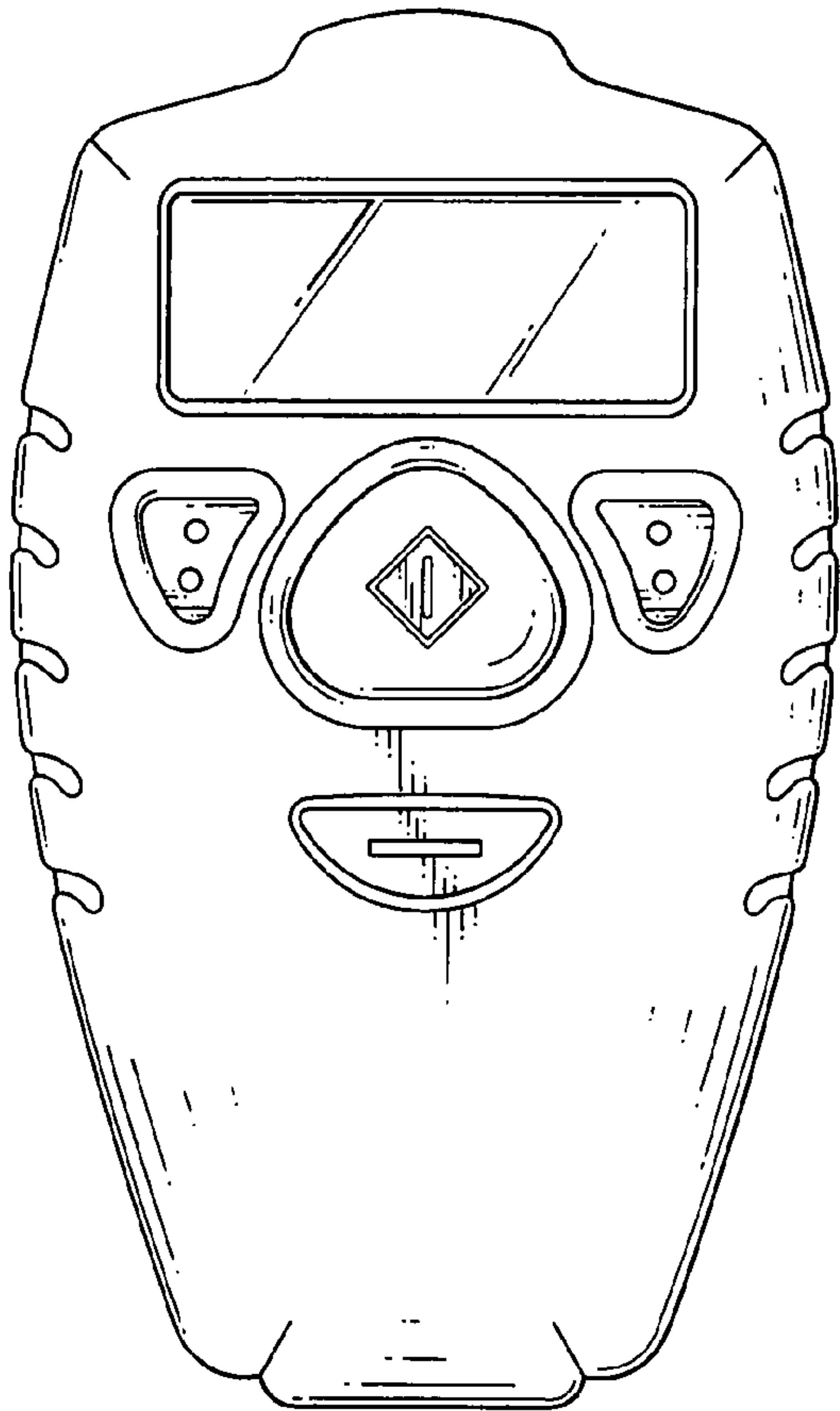


FIG. 6

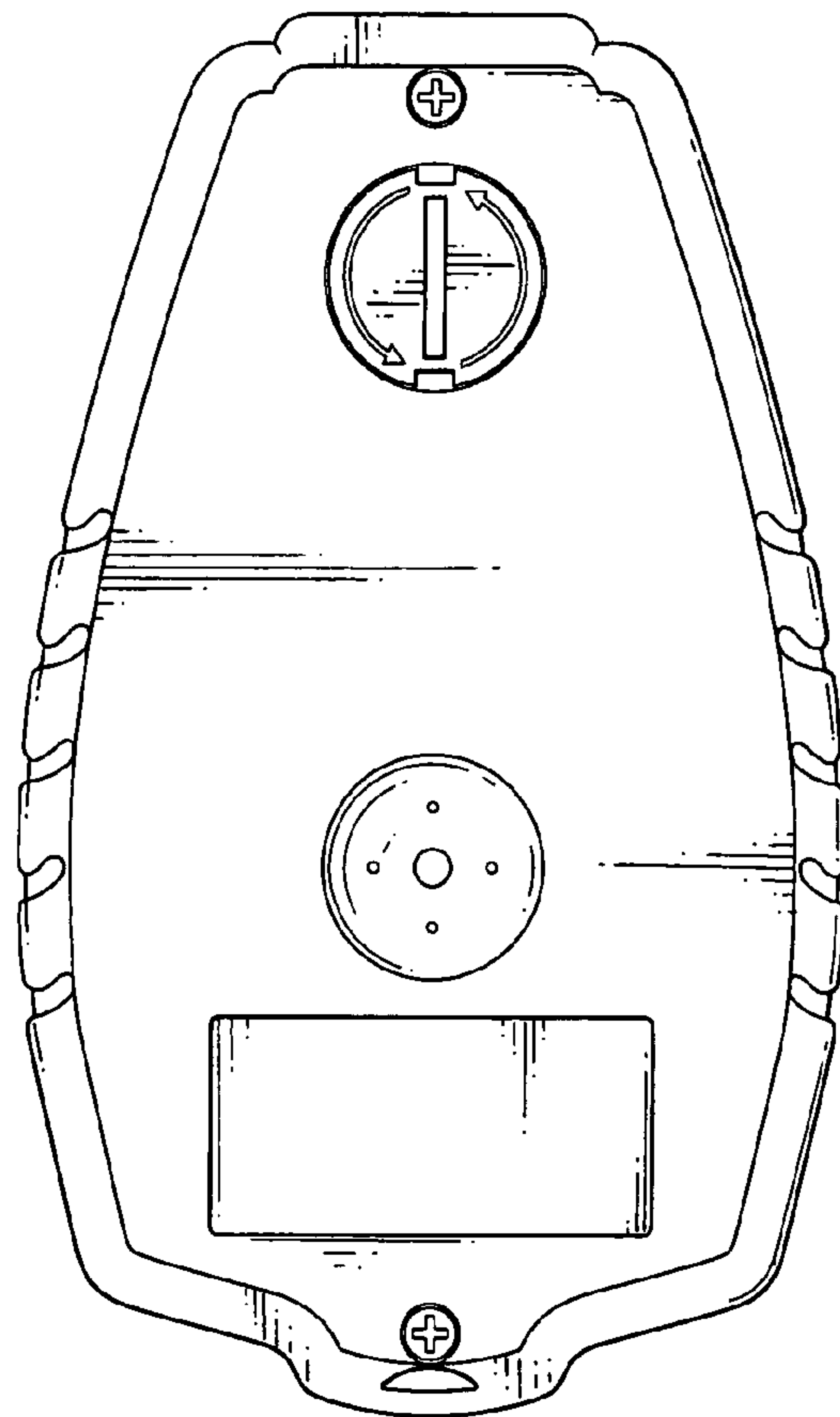


FIG. 7

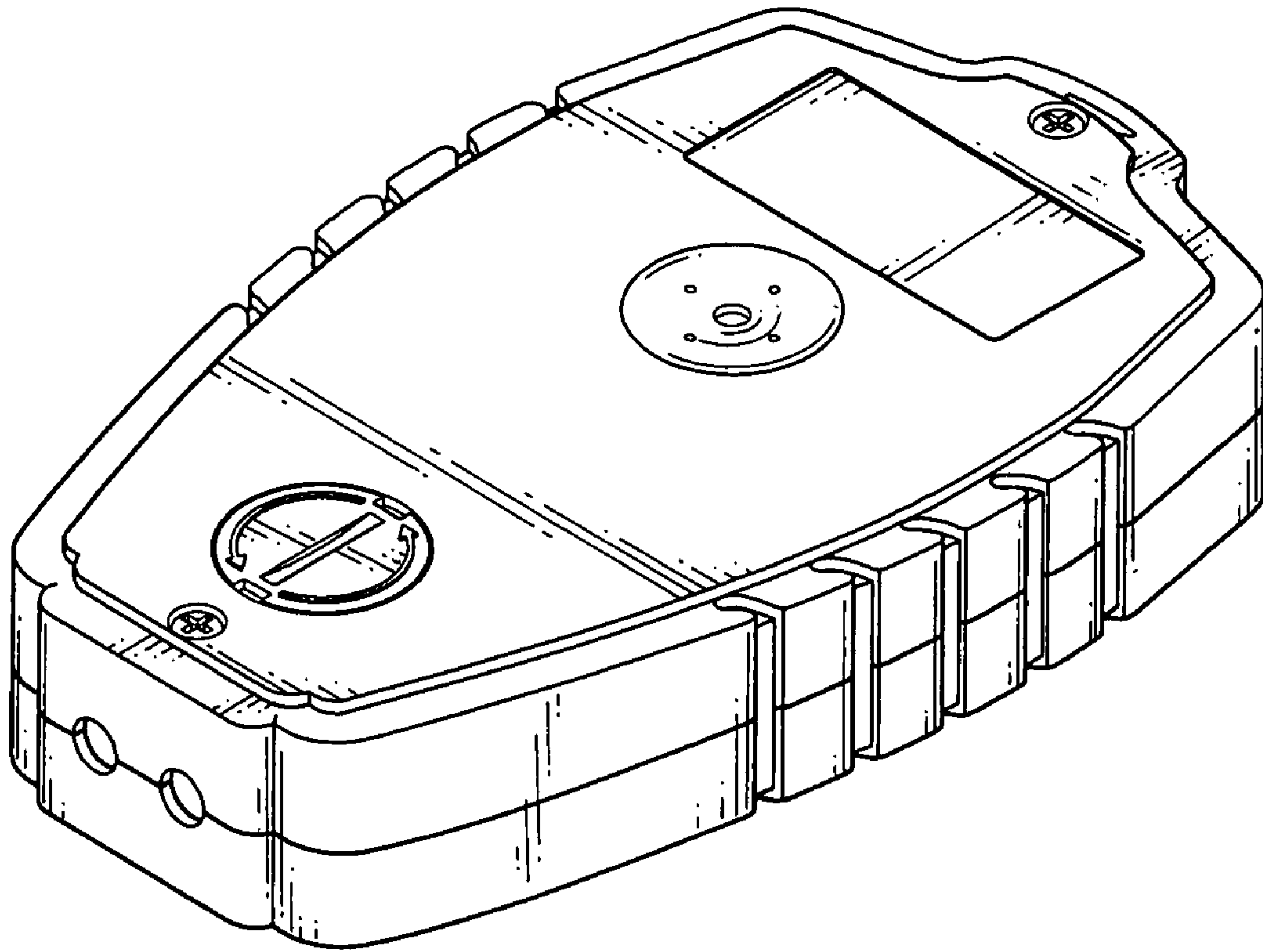


FIG. 8