



US00D583259S

(12) **United States Design Patent**
Arpa

(10) **Patent No.:** **US D583,259 S**

(45) **Date of Patent:** **** Dec. 23, 2008**

(54) **WRISTWATCH**

D519,852 S * 5/2006 Roden D10/31
D530,627 S * 10/2006 Senggen et al. D10/32
D538,681 S * 3/2007 Quintavalle D10/38

(75) Inventor: **Yvan Arpa**, Collonge-Bellerive (CH)

(73) Assignee: **RJ Watches SA**, Geneva (CH)

* cited by examiner

(**) Term: **14 Years**

Primary Examiner—Lucy Lieberman

(74) *Attorney, Agent, or Firm*—Sughrue Mion, PLLC

(21) Appl. No.: **29/274,970**

(57) **CLAIM**

(22) Filed: **Jun. 13, 2007**

The ornamental design for a wristwatch, as shown and described.

(51) **LOC (8) Cl.** **10-02**

(52) **U.S. Cl.** **D10/39**

(58) **Field of Classification Search** D10/30–39,
D10/122–132; 368/276, 281, 282, 285, 308,
368/319, 28, 80, 223, 228, 232, 294, 295,
368/288; D11/3

DESCRIPTION

See application file for complete search history.

FIG. 1 is a front elevational view a wristwatch showing my new design;

FIG. 2 is a front perspective view thereof;

FIG. 3 is a rear perspective view thereof;

FIG. 4 is a rear elevational view thereof;

FIG. 5 is a right side elevational view thereof;

FIG. 6 is a left side side elevational view thereof;

FIG. 7 is a top plan view thereof; and,

FIG. 8 is a bottom plan view thereof.

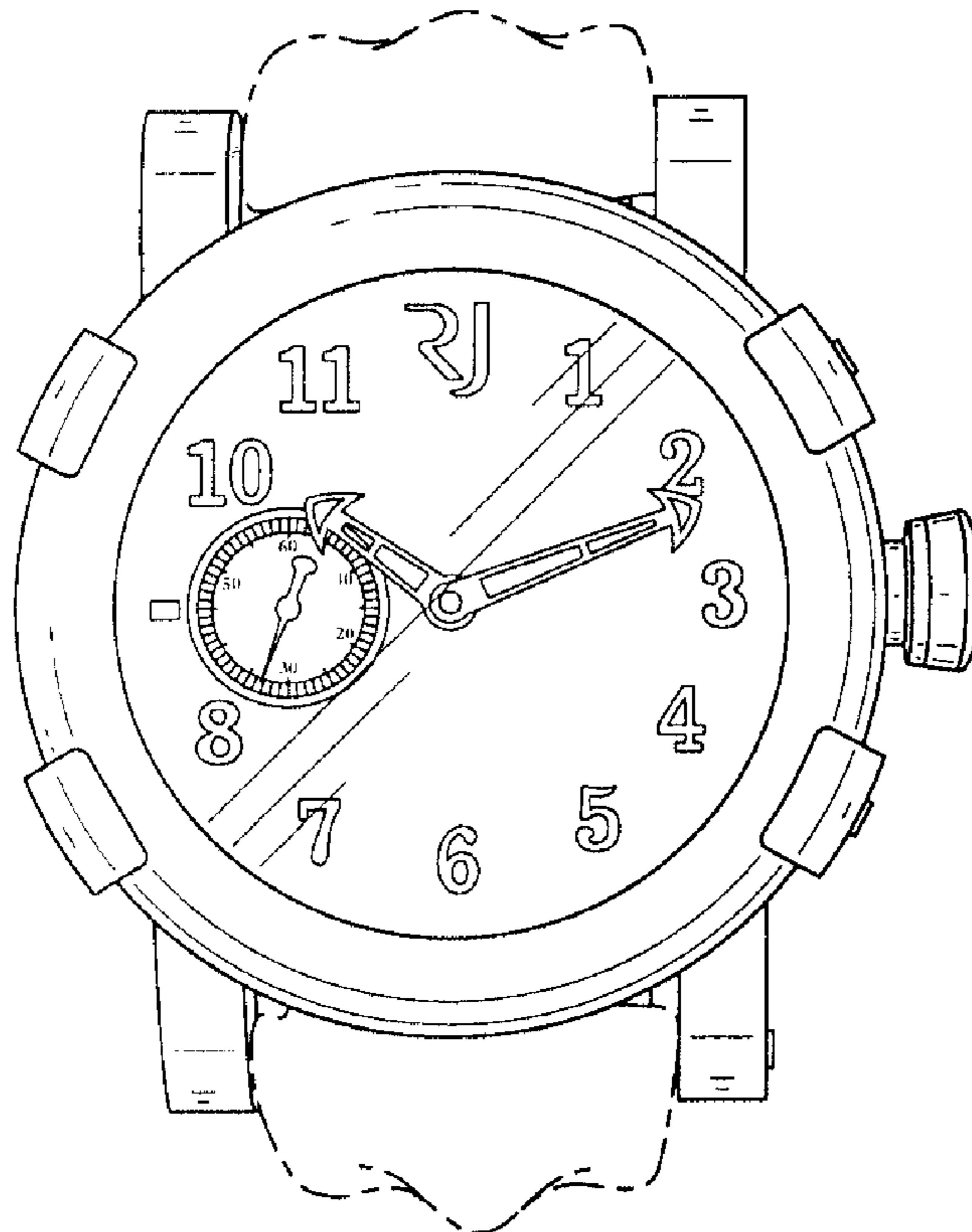
The broken lines shown in the drawing are for illustrative purposes only and form no part of the claimed design.

(56) **References Cited**

U.S. PATENT DOCUMENTS

3,503,203	A	*	3/1970	Gruner et al.	368/21
D391,176	S	*	2/1998	Bulgari	D10/39
D447,705	S	*	9/2001	Scheufele	D10/39
D452,175	S	*	12/2001	Finazzi	D10/39
D459,239	S	*	6/2002	Baumann	D10/32
D459,241	S	*	6/2002	Bodino	D10/32
D460,002	S	*	7/2002	Wunderman	D10/32
D473,473	S	*	4/2003	Wunderman	D10/32
D484,815	S	*	1/2004	Baumann	D10/32

1 Claim, 2 Drawing Sheets



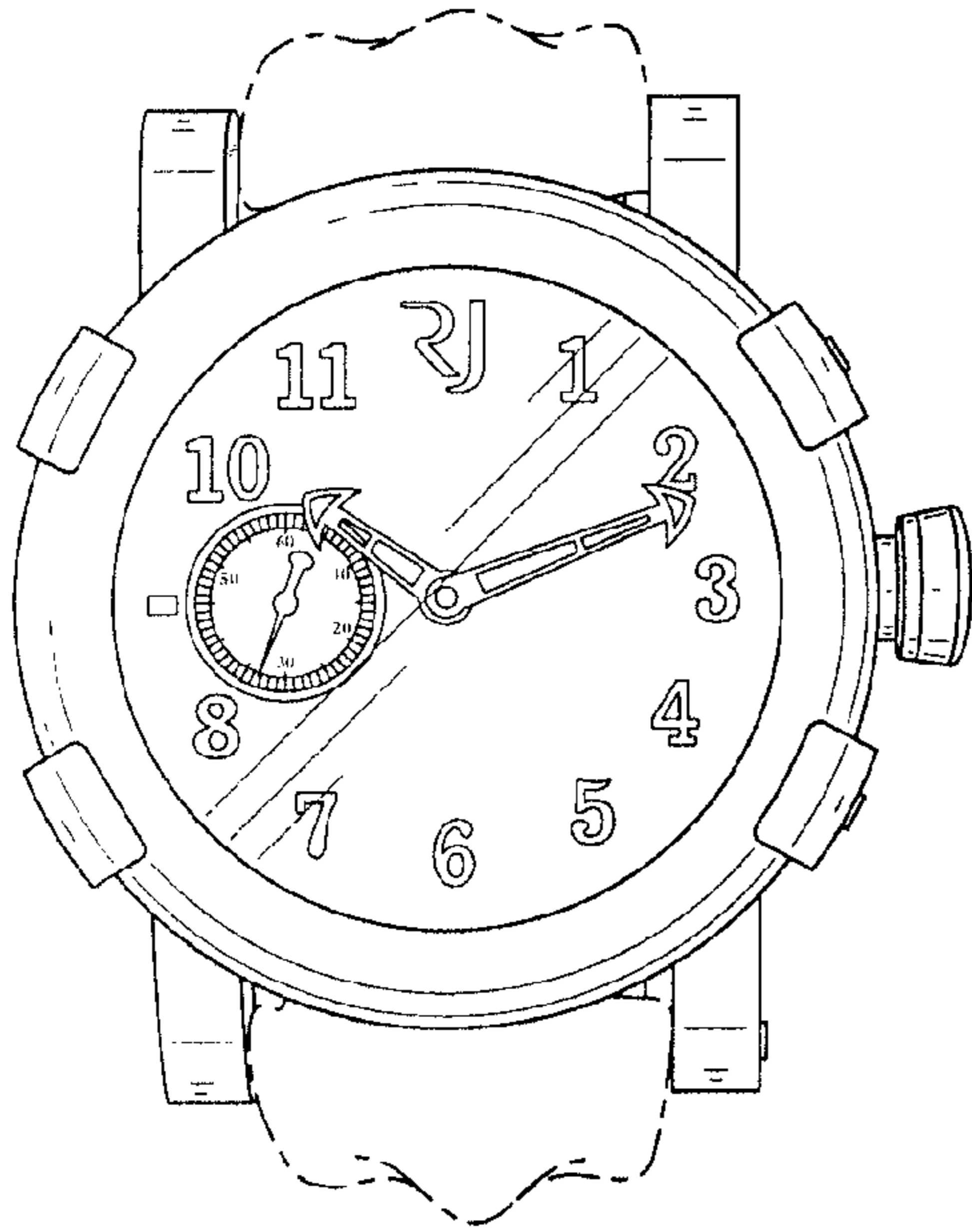


FIG. 1

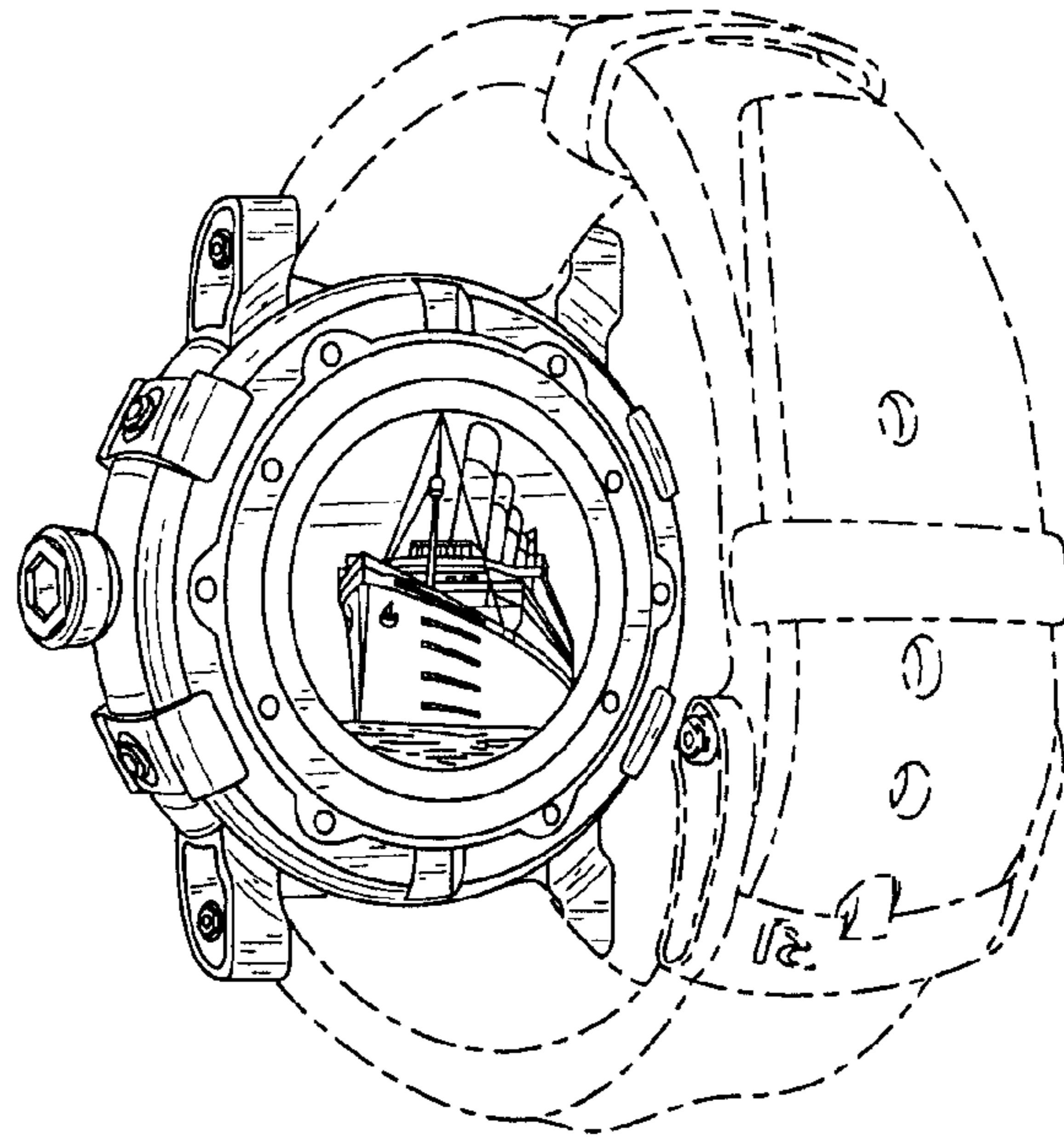


FIG. 3

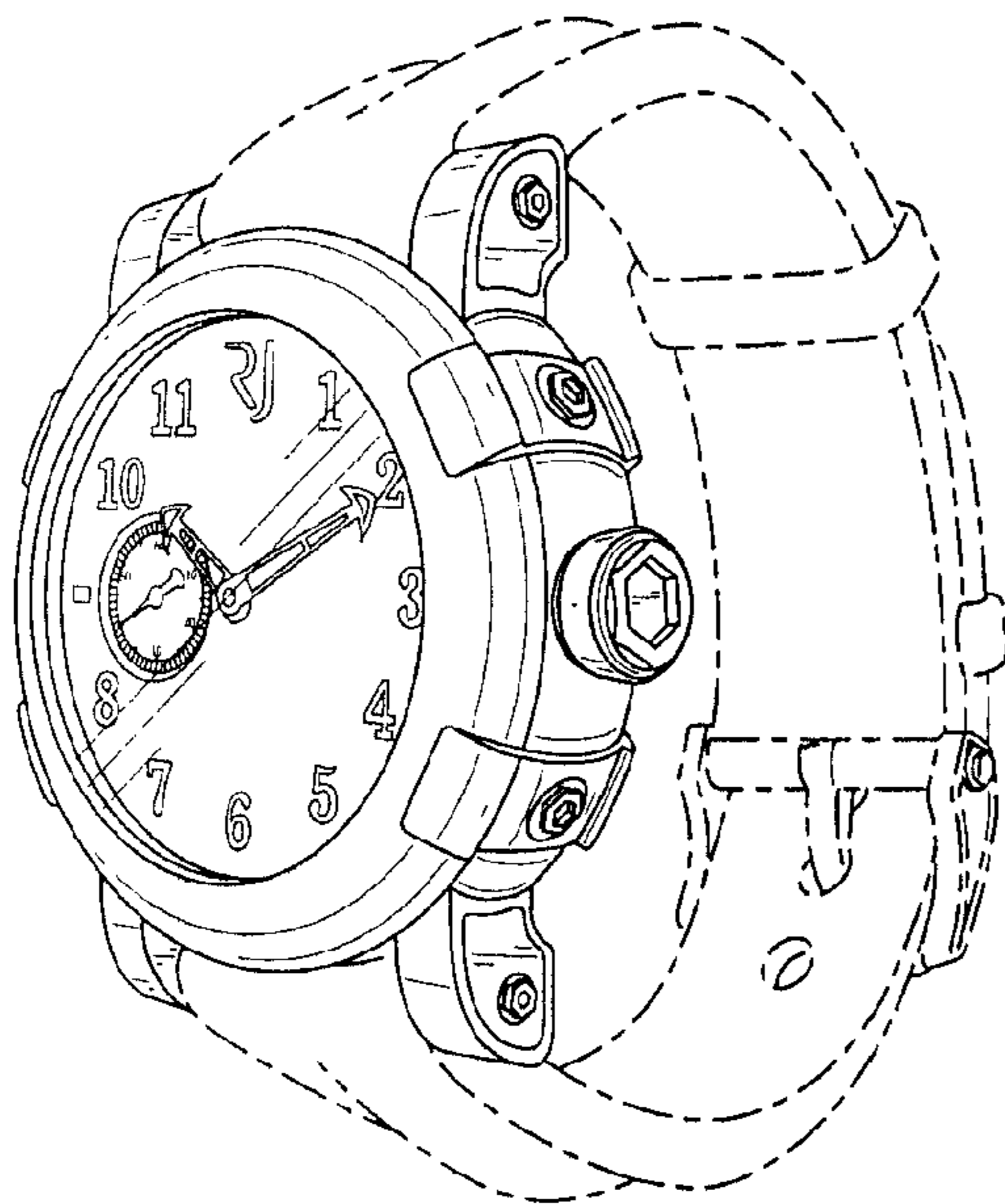


FIG. 2

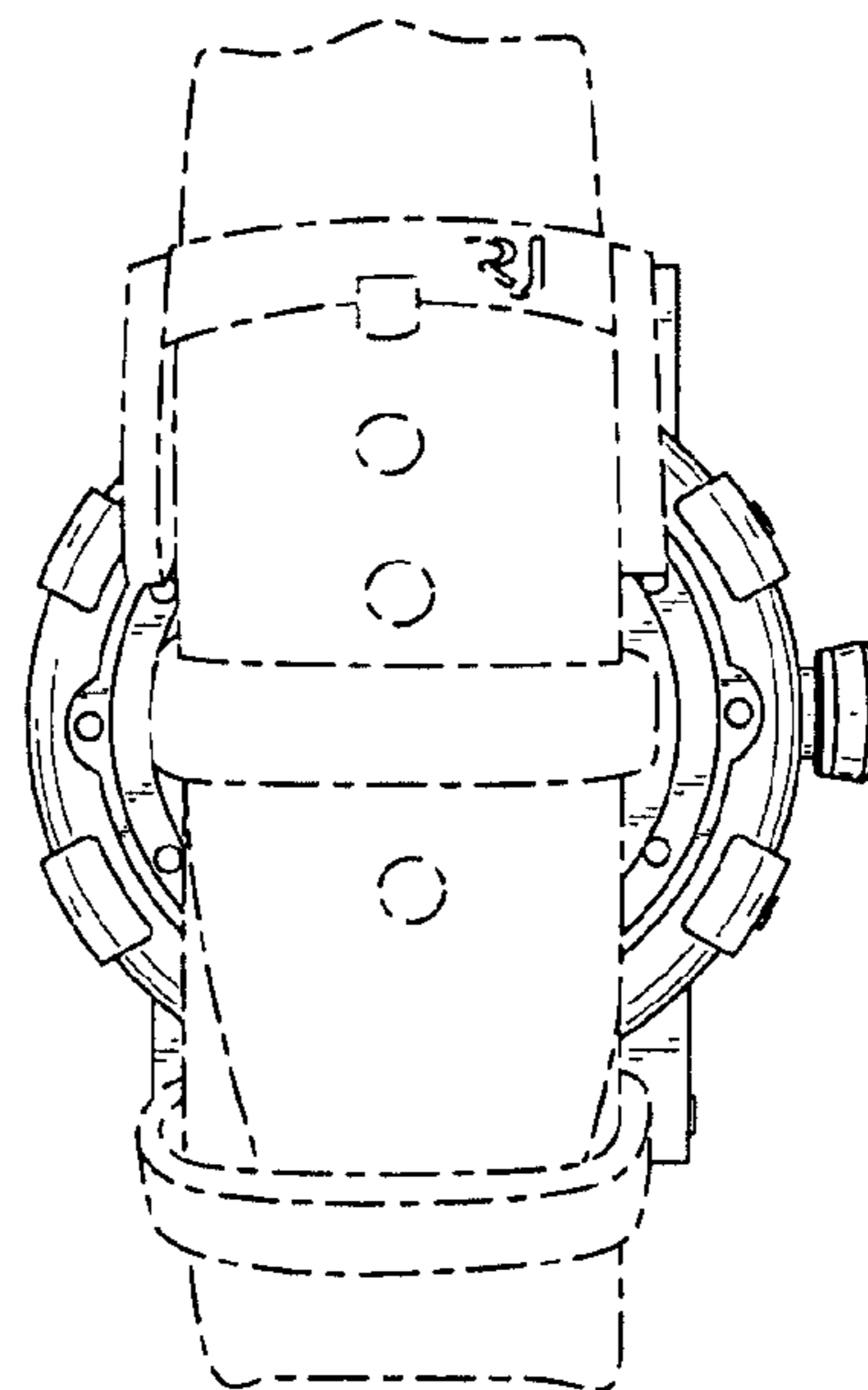


FIG. 4

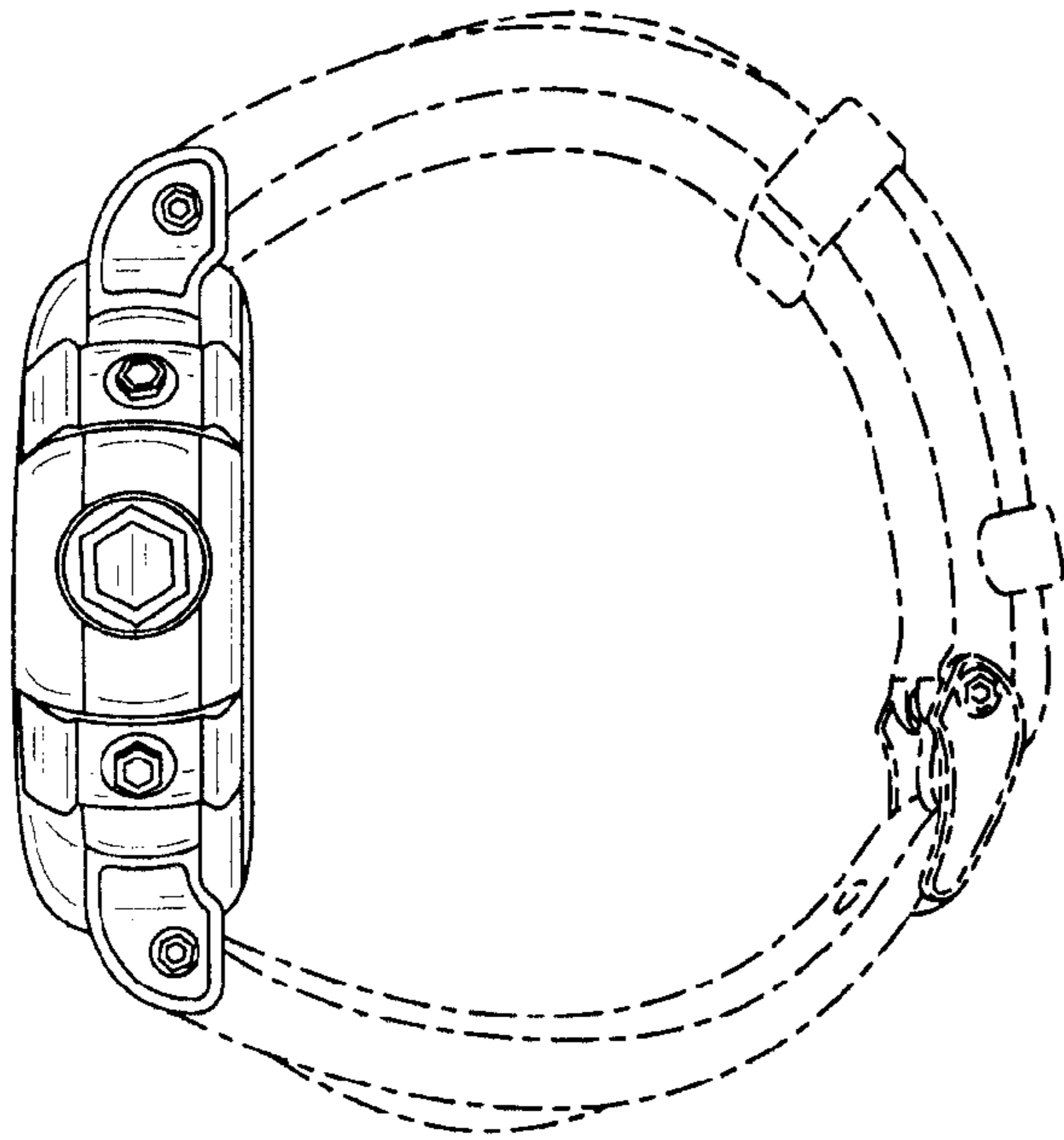


FIG. 5

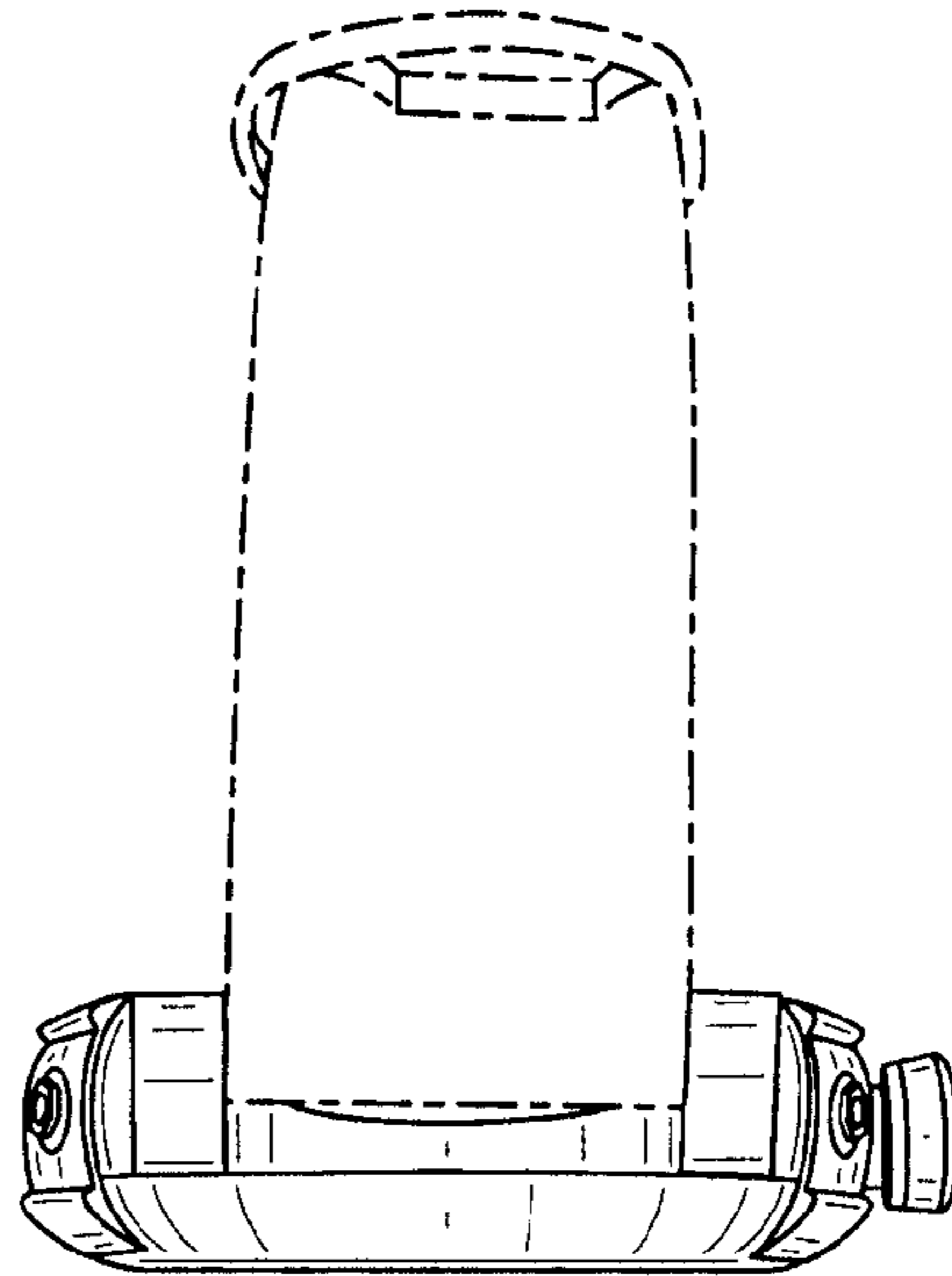


FIG. 7

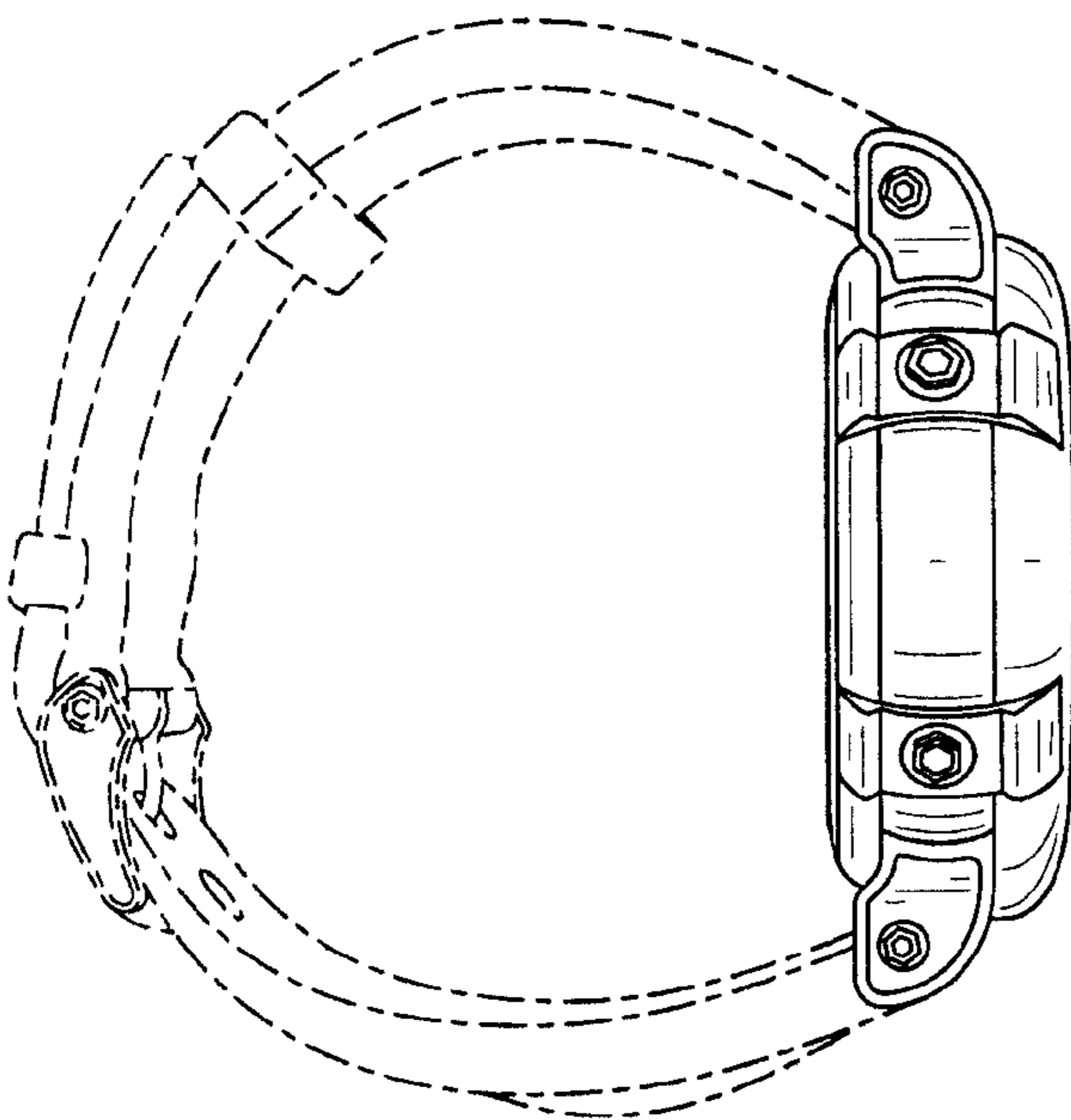


FIG. 6

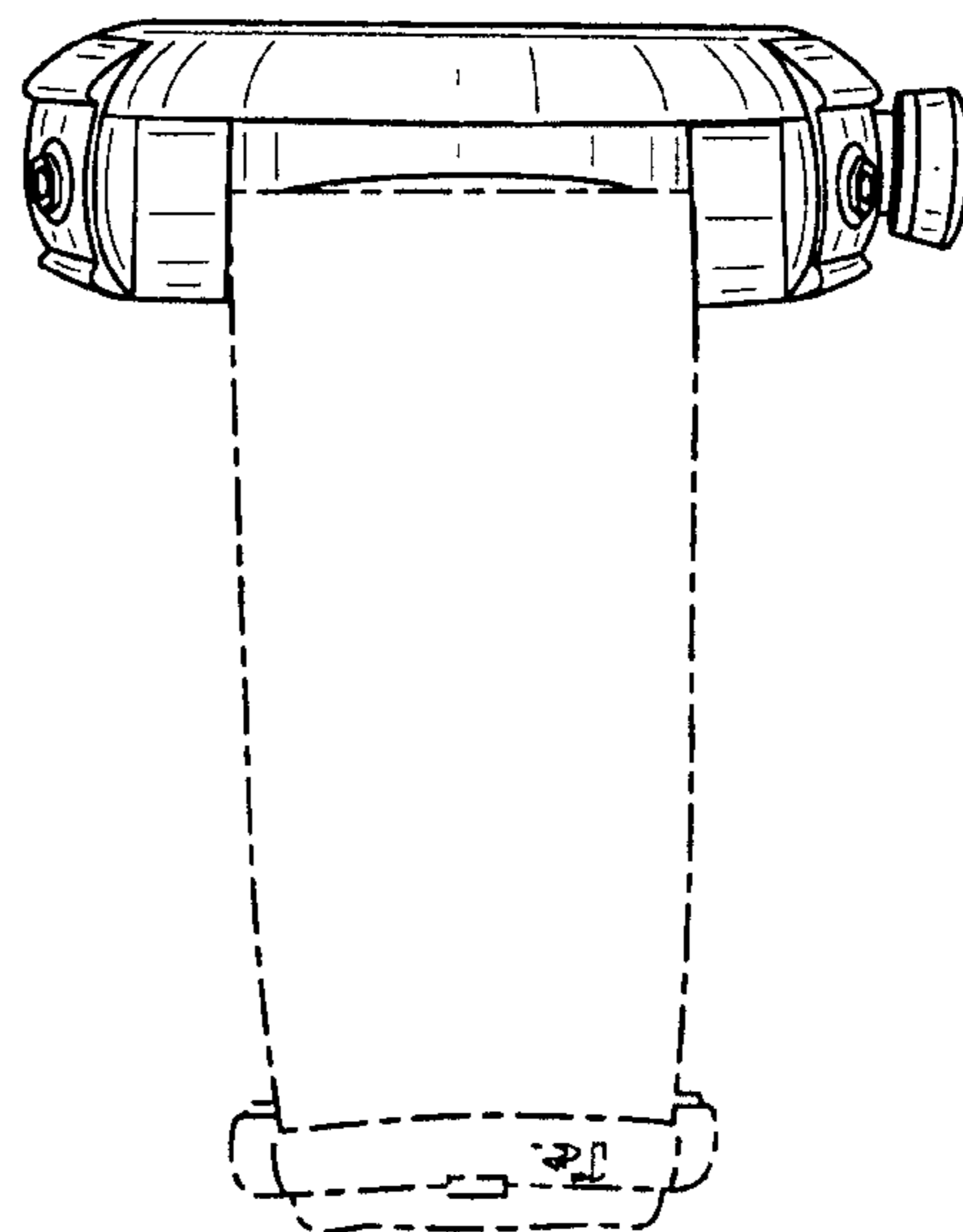


FIG. 8