



US00D583257S

(12) **United States Design Patent**  
**Lui et al.**

(10) **Patent No.:** **US D583,257 S**

(45) **Date of Patent:** **\*\* Dec. 23, 2008**

(54) **WATER POWERED CLOCK**

*Primary Examiner*—Lucy Lieberman

(75) Inventors: **Wing Kit Lui**, Kowloon (HK); **Wai Hung Magic Au Yeung**, Kowloon (HK)

(57) **CLAIM**

(73) Assignee: **Eric Beare Associates Limited**,  
Kowloon (HK)

The ornamental design for a water powered clock, as shown and described.

(\*\*) Term: **14 Years**

**DESCRIPTION**

(21) Appl. No.: **29/319,861**

(22) Filed: **Jun. 17, 2008**

(51) **LOC (8) Cl.** ..... **10-01**

(52) **U.S. Cl.** ..... **D10/15**

(58) **Field of Classification Search** ..... D10/1–29;  
368/276, 285, 316, 317, 29–30, 82–84, 239–242,  
368/284

See application file for complete search history.

FIG. 1 is a front elevational view of a water powered clock showing my new design;

FIG. 2 is a rear elevational view thereof;

FIG. 3 is a left side view thereof;

FIG. 4 is a right side view thereof;

FIG. 5 is a top plan view thereof;

FIG. 6 is a bottom plan view thereof;

FIG. 7 is a bottom, rear and left side perspective view thereof;

FIG. 8 is a top, front and right side perspective view with an unclaimed time displayed on the water powered clock; and,

FIG. 9 is a top, rear and left side perspective view with an unclaimed time displayed on the water powered clock.

The dotted lines shown in FIGS. 8 and 9 form no part of the claimed design.

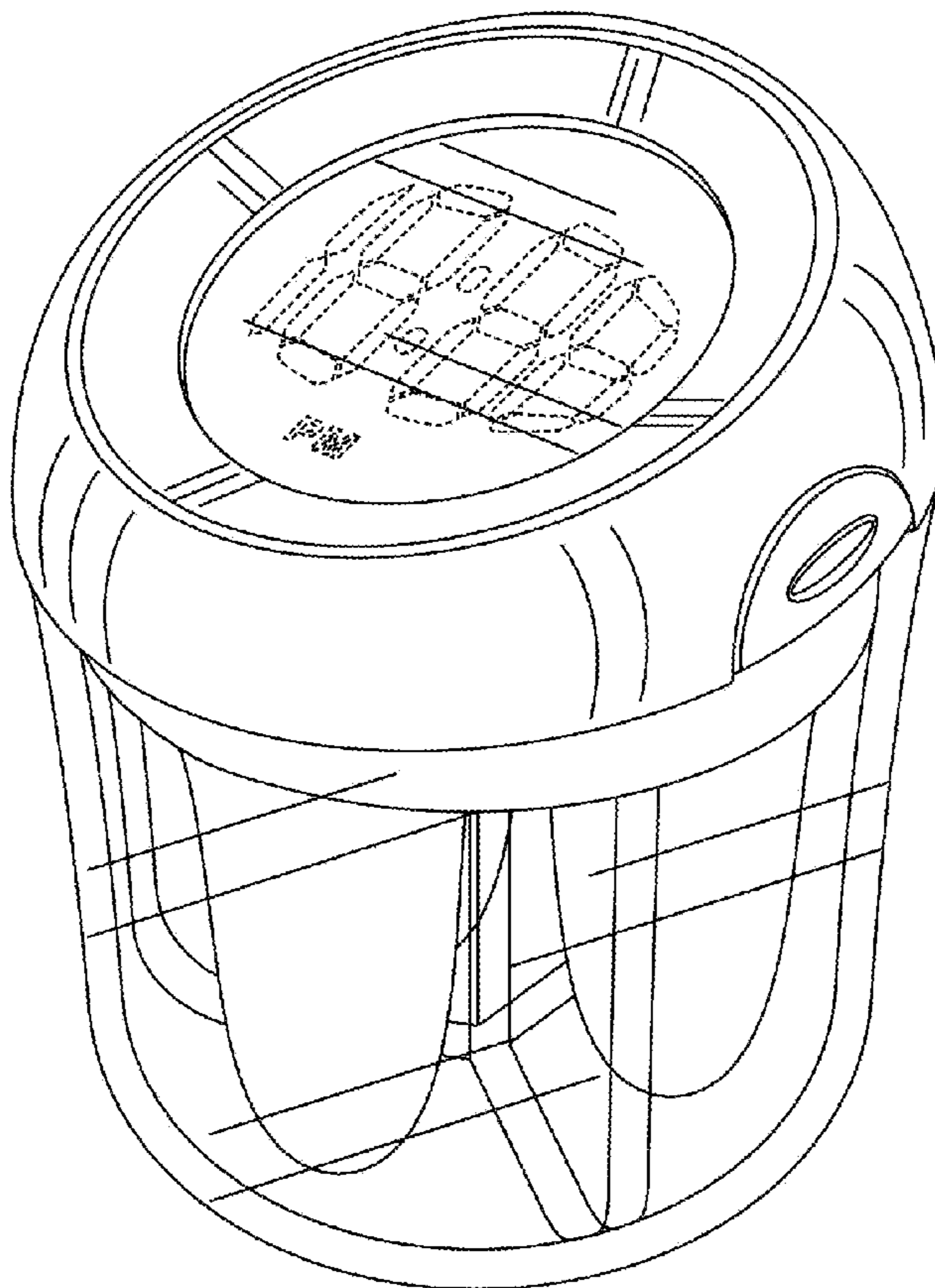
(56) **References Cited**

**U.S. PATENT DOCUMENTS**

D193,017	S	*	6/1962	Marti	.....	D10/23
5,425,006	A	*	6/1995	Ya	.....	368/262
D466,029	S	*	11/2002	Joss et al.	.....	D10/22
D531,060	S	*	10/2006	Leeks	.....	D10/15
D542,154	S	*	5/2007	Lee	.....	D10/24
7,394,727	B2	*	7/2008	Ushikoshi	.....	368/76

\* cited by examiner

**1 Claim, 9 Drawing Sheets**



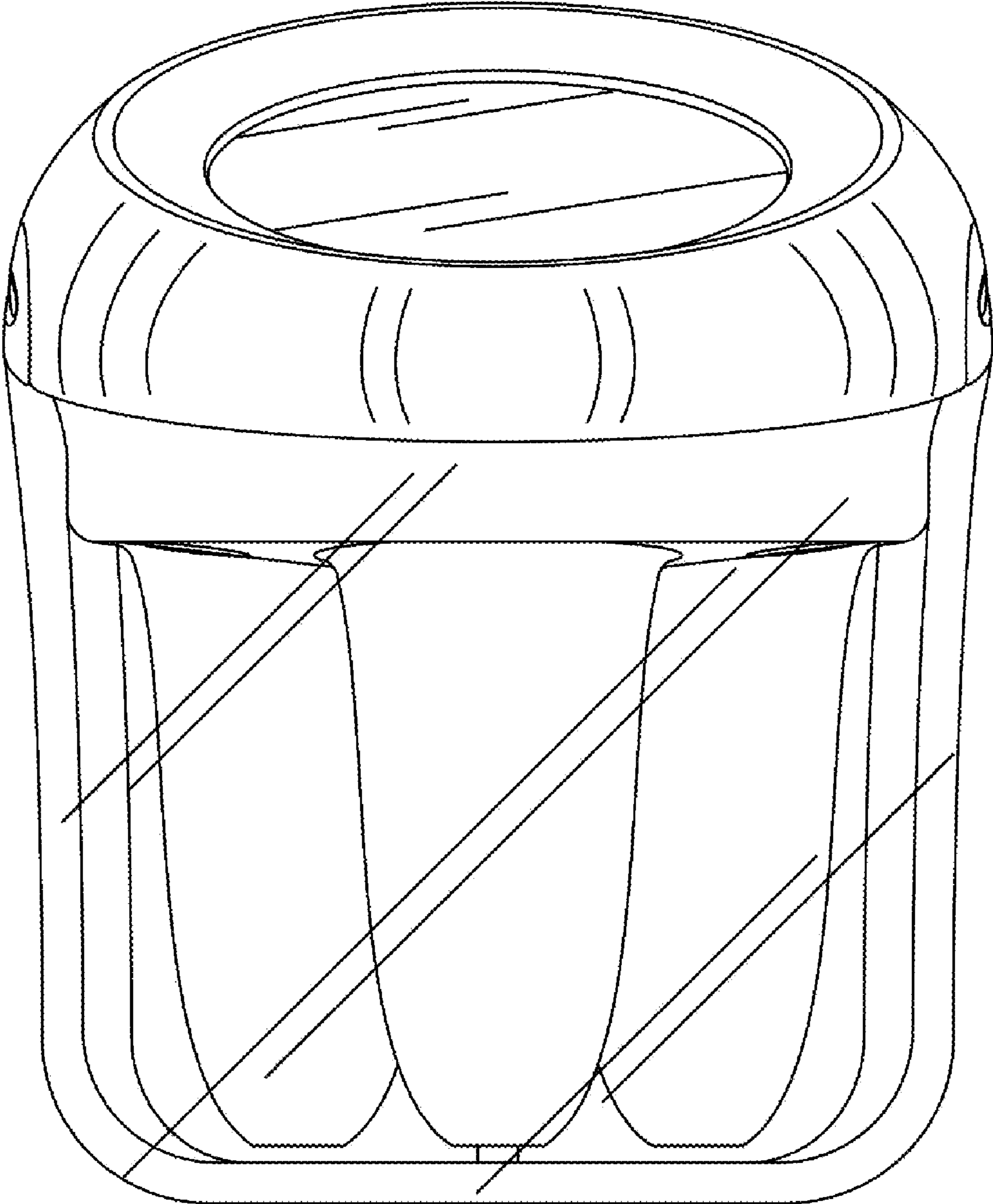


FIG. 1

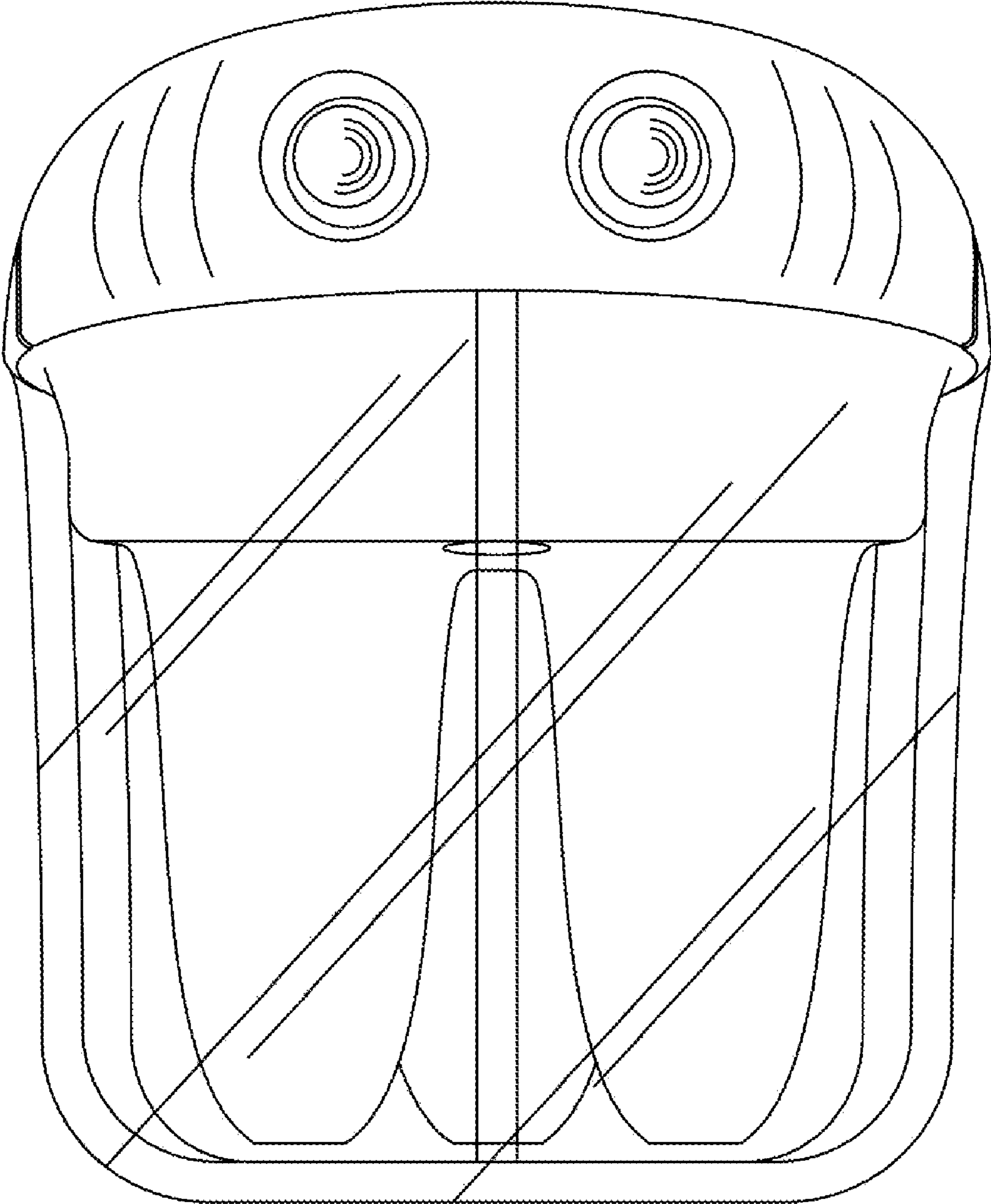


FIG. 2

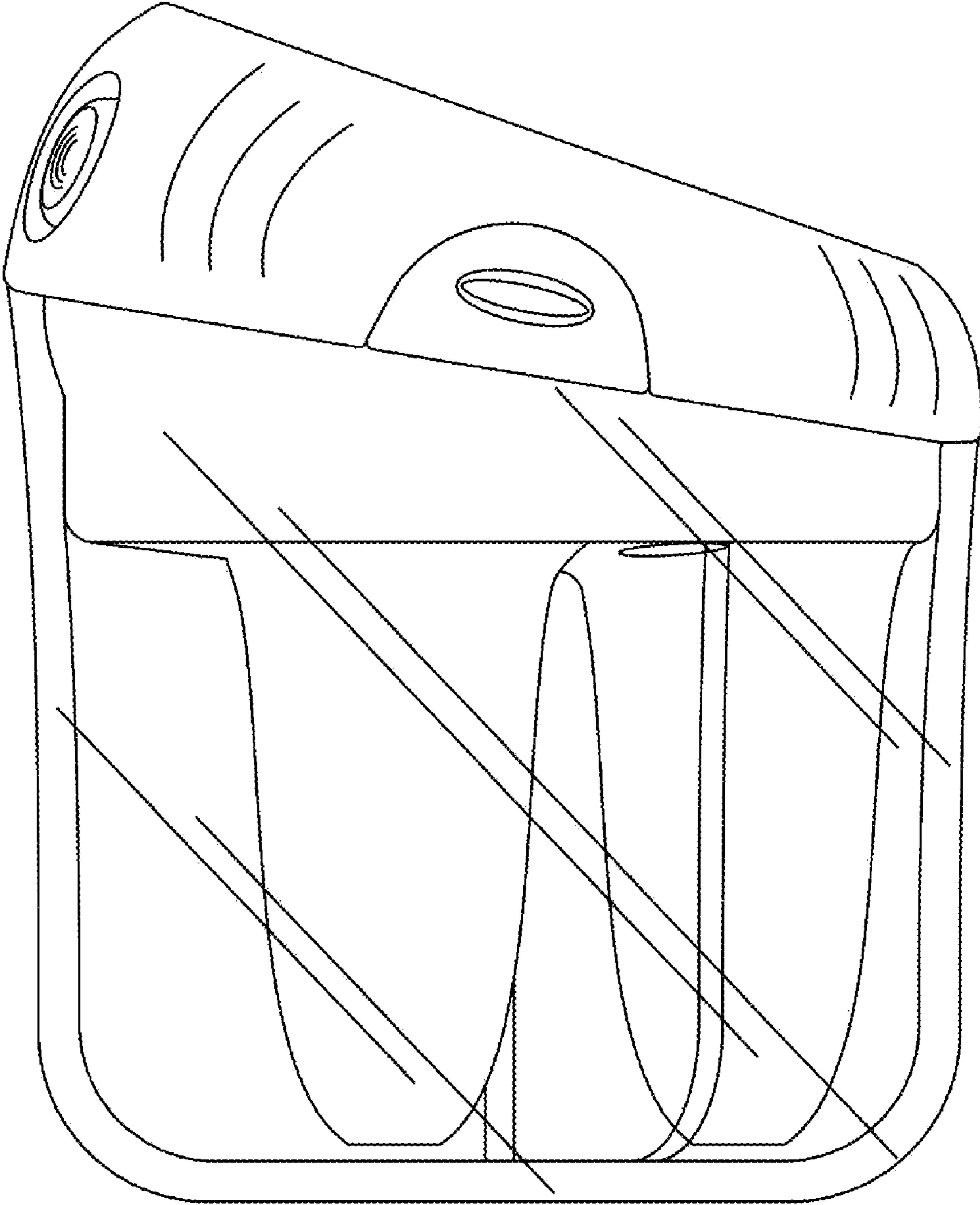


FIG. 3

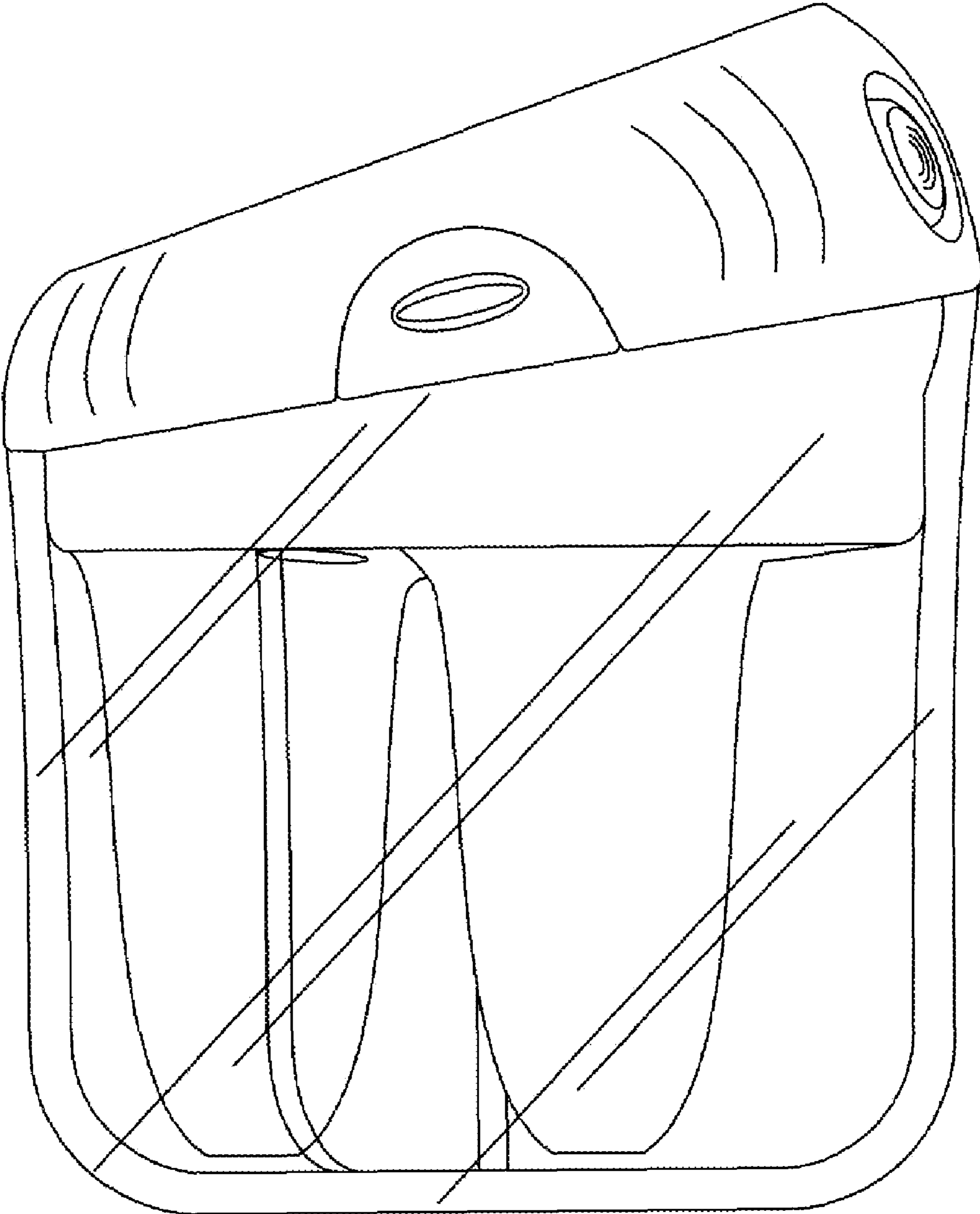


FIG. 4

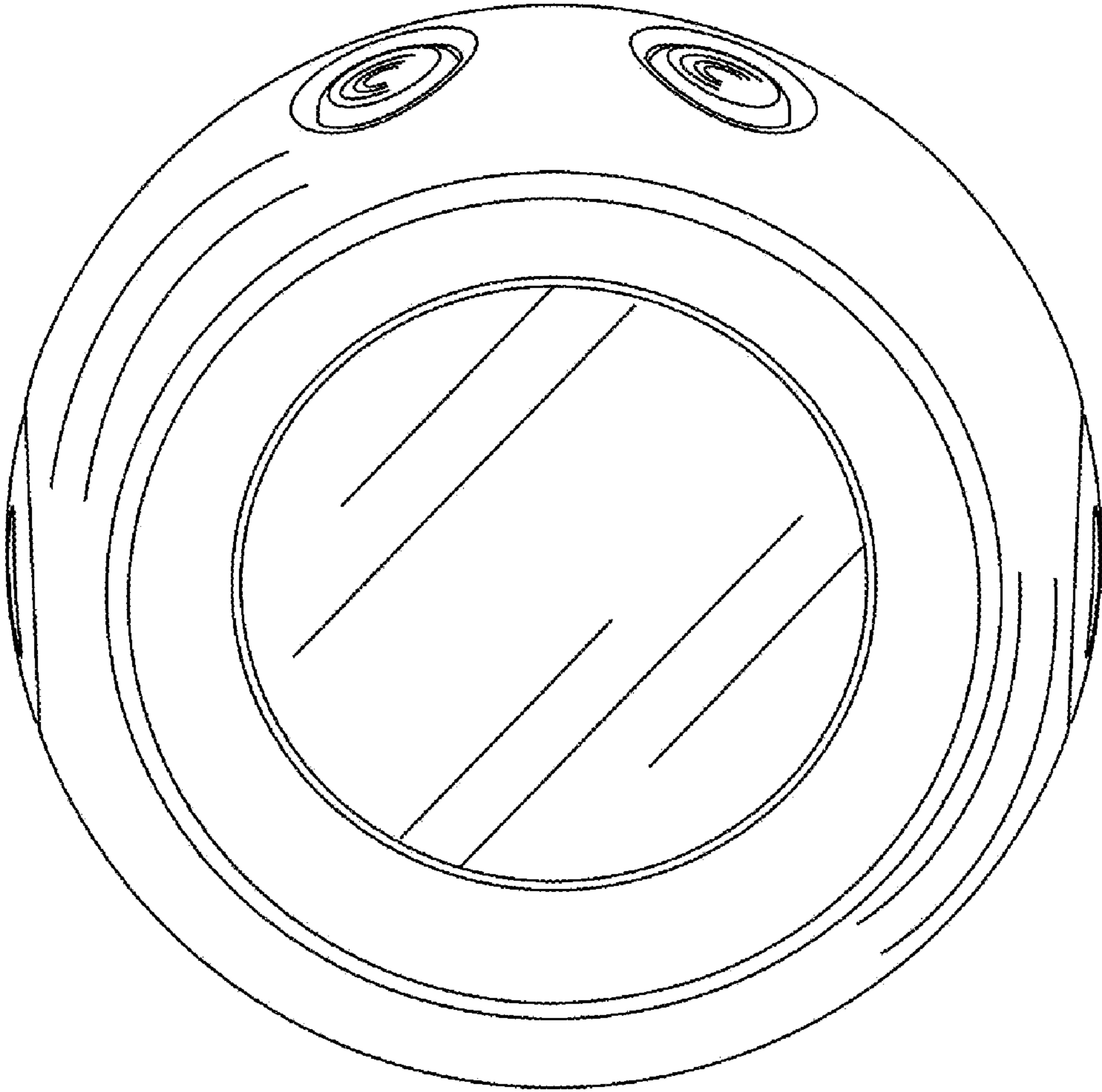


FIG. 5

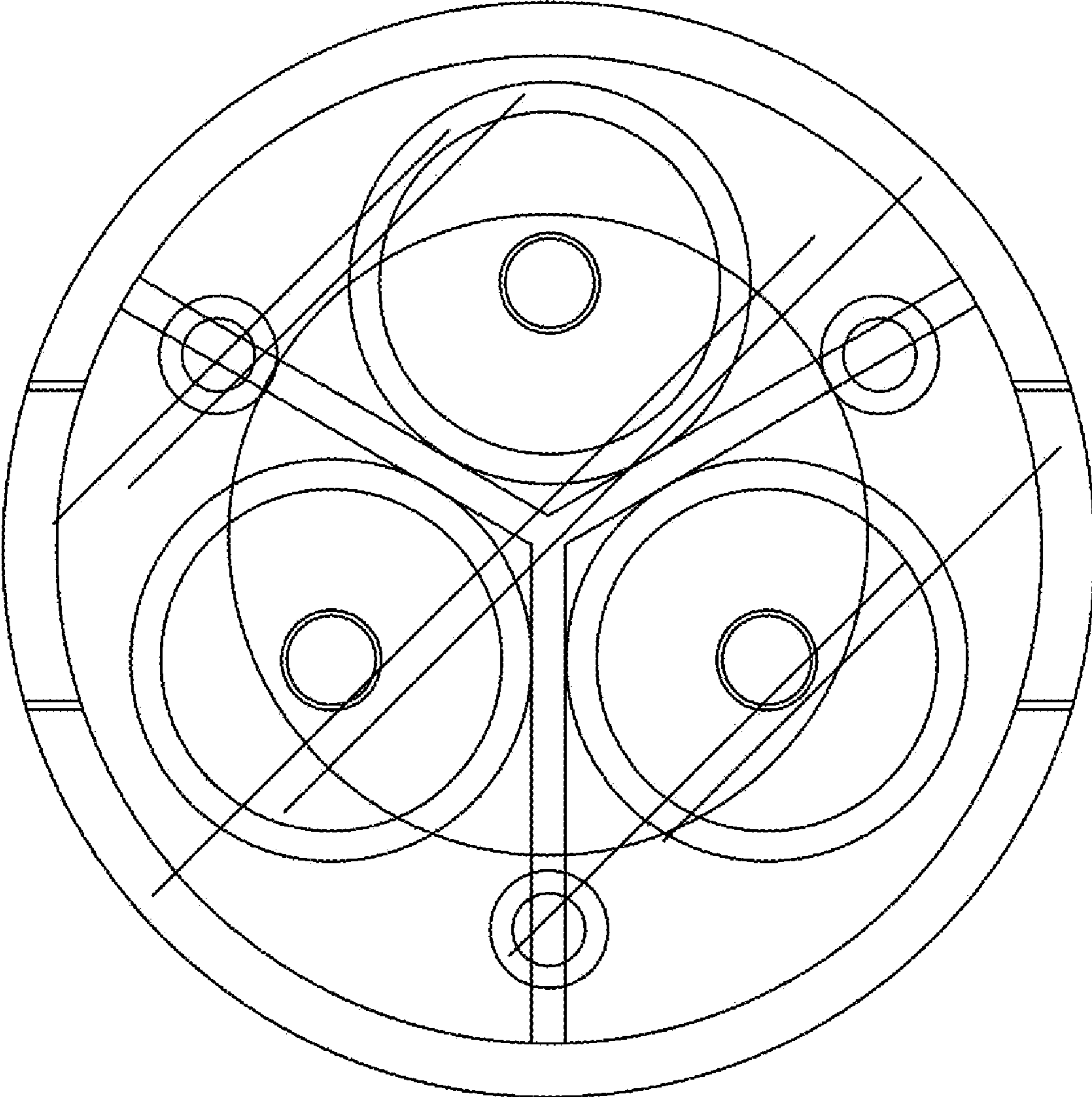


FIG. 6

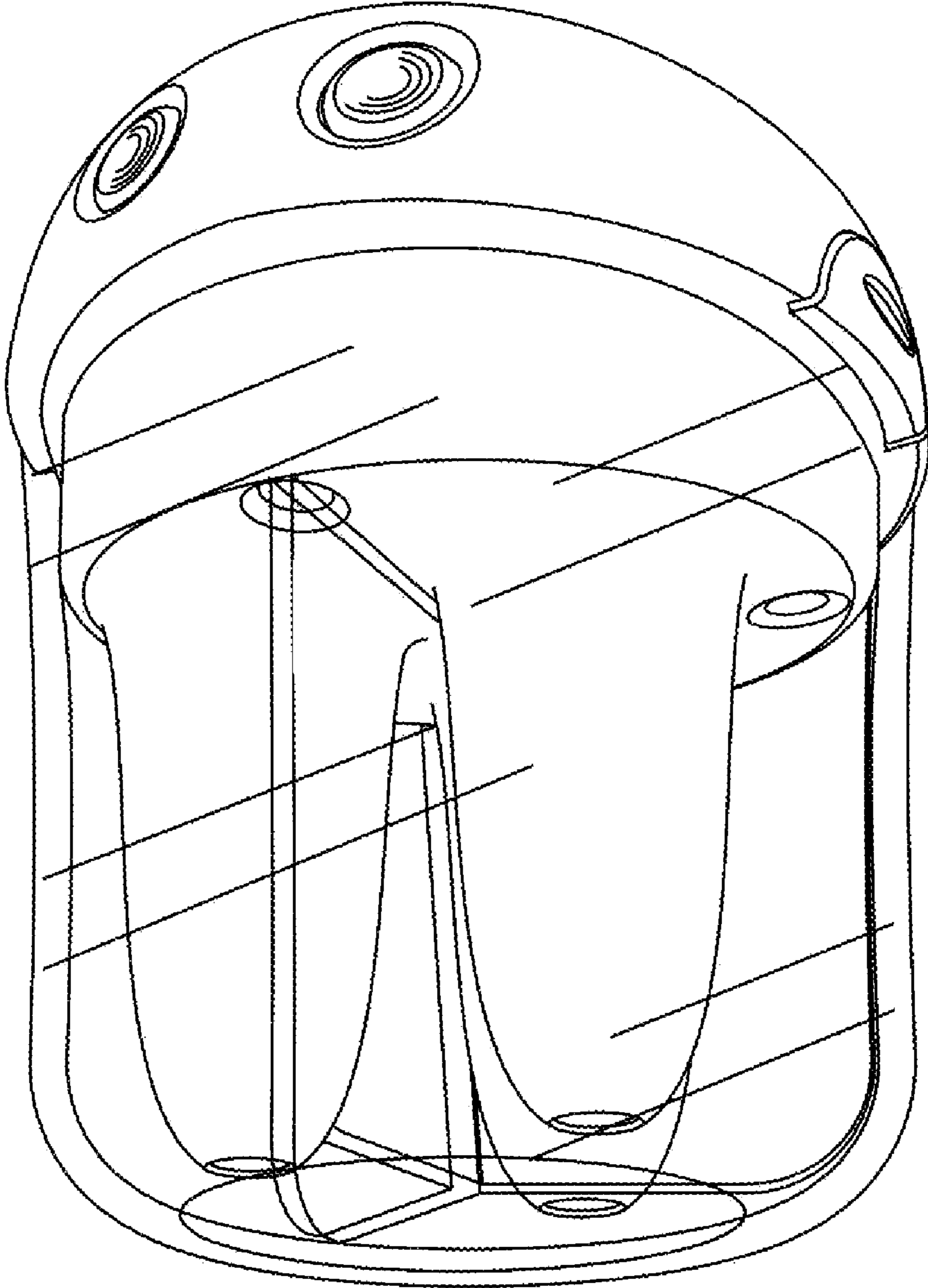


FIG. 7



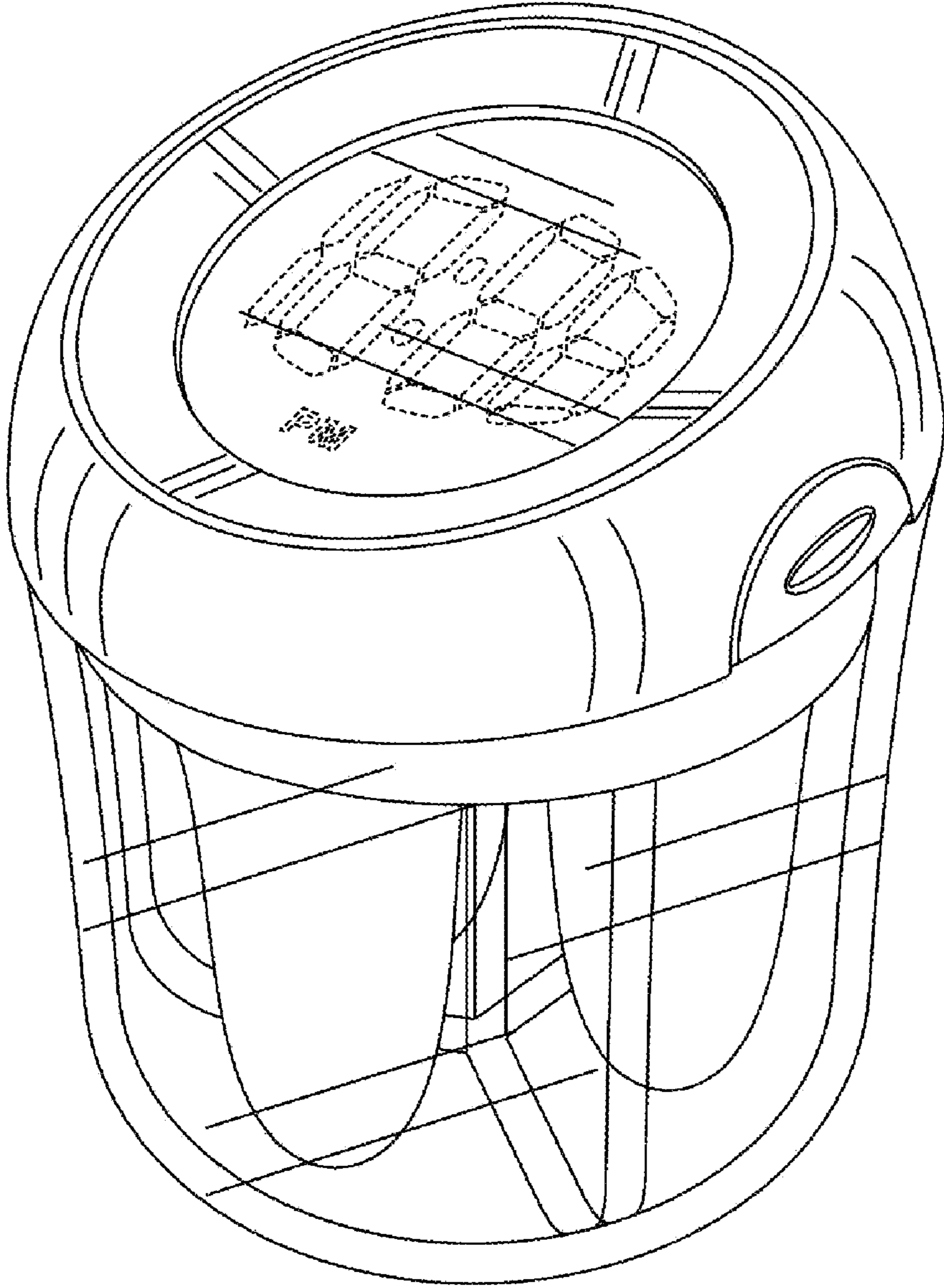


FIG. 8

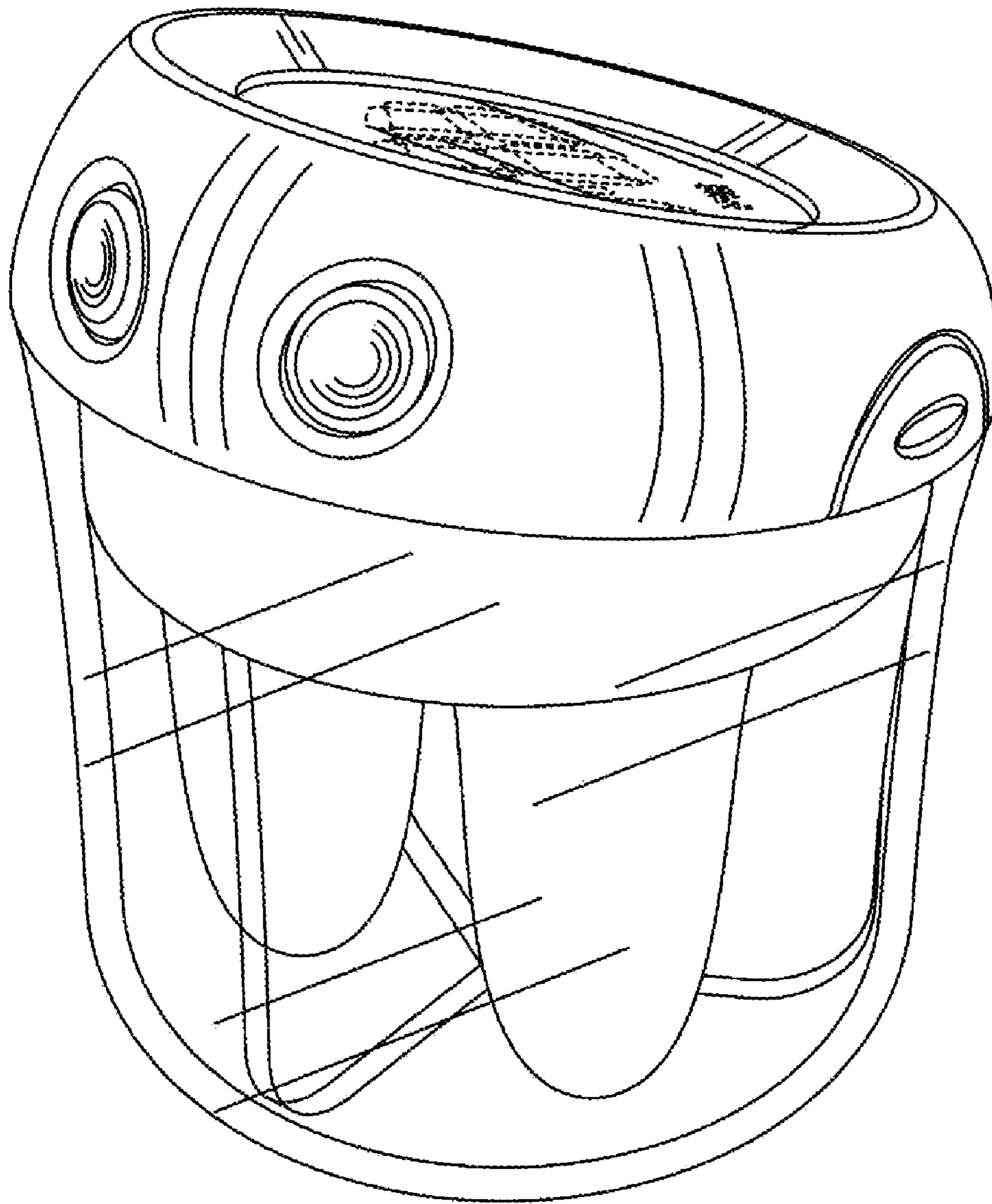


FIG. 9