



US00D583251S

(12) **United States Design Patent**
Morrison

(10) **Patent No.:** **US D583,251 S**
(45) **Date of Patent:** **** Dec. 23, 2008**

(54) **SKATE WHEEL JAR**
(75) Inventor: **Richard Morrison**, 936 Beryl St., San Diego, CA (US) 92109
(73) Assignee: **Richard Morrison**, San Diego, CA (US)
(**) Term: **14 Years**

Primary Examiner—Sandra Morris

(21) Appl. No.: **29/291,649**

(57) **CLAIM**

(22) Filed: **Sep. 8, 2007**

I claim the ornamental design for a skate wheel jar, as shown and described.

(51) **LOC (8) Cl.** **21-01**
(52) **U.S. Cl.** **D9/672; D9/504**
(58) **Field of Classification Search** D9/600,
D9/671-677, 500, 502-504, 516, 519, 549,
D9/556-557; 206/457, 822; 215/400; 220/890;
D3/270, 271.1, 271.11, 271.12; D7/514-515,
D7/619.2, 628; D21/779
See application file for complete search history.

DESCRIPTION

FIG. 1 is a perspective view of a first embodiment of a skate wheel jar, depicting my new design;

FIG. 2 is a side elevational view thereof, wherein the side is cylindrical and has the same ornamental features about the device;

FIG. 3 is a perspective view thereof, wherein the lid is removed from the base;

FIG. 4 is a perspective view of a second embodiment of the skate wheel jar, depicting graphics displayed on the top;

FIG. 5 is a front side elevational view thereof, the rear side being a mirror image;

FIG. 6 is a right side elevational view thereof, the left side being a mirror image; and,

FIG. 7 is a perspective view thereof, wherein the lid is removed from the base.

The broken lines shown in the Figures are for illustrative purposes only, and form no part of the claimed design.

(56) **References Cited**

U.S. PATENT DOCUMENTS

D274,848	S	*	7/1984	Chevassus	D9/504
4,815,607	A	*	3/1989	Agapiou	206/457
D418,014	S	*	12/1999	Schoelkopf et al.	D7/515
D523,750	S	*	6/2006	Lee et al.	D9/549
D530,208	S	*	10/2006	Danne et al.	D9/504
D561,028	S	*	2/2008	Murata et al.	D9/502

* cited by examiner

1 Claim, 7 Drawing Sheets



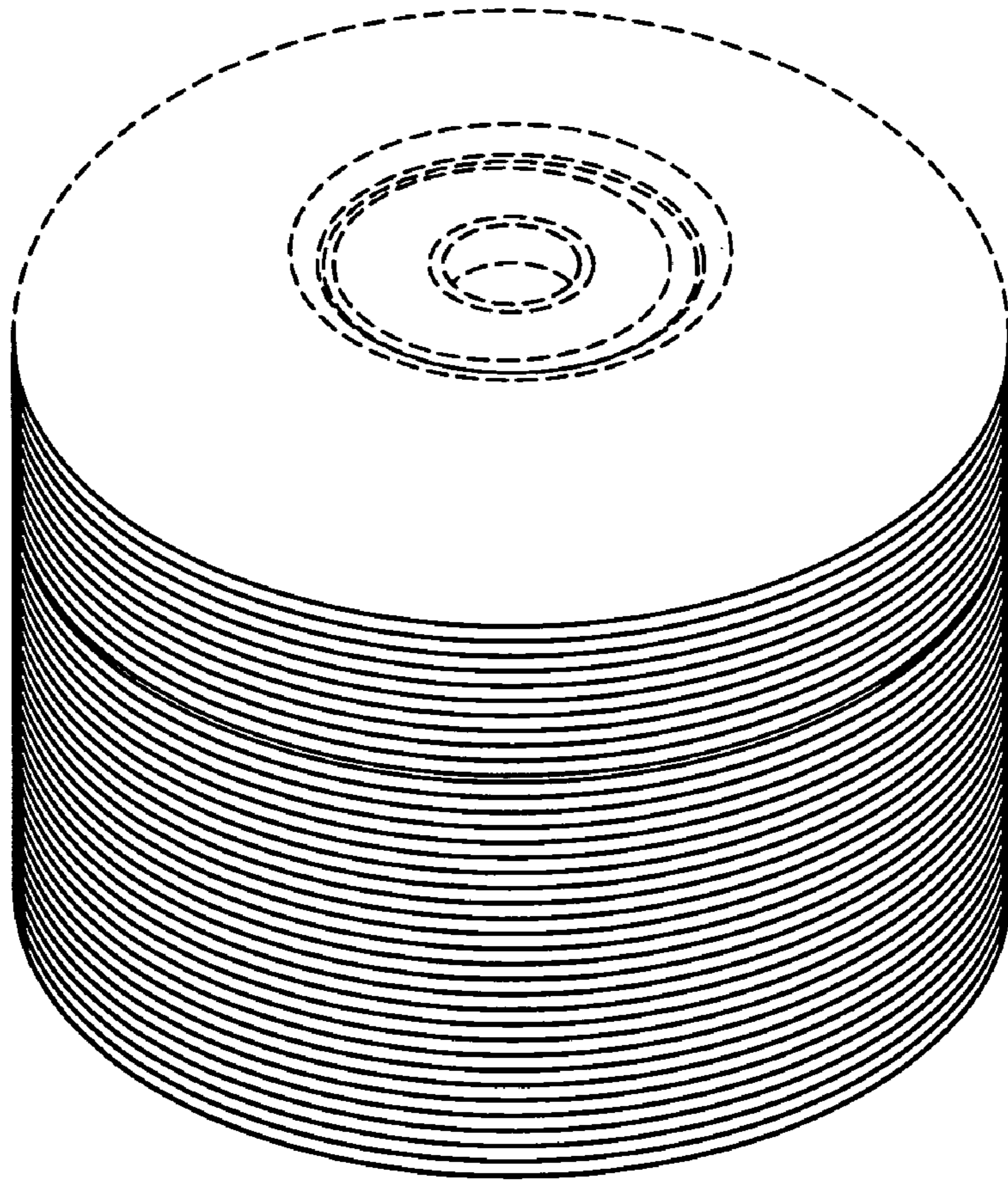


FIG. 1

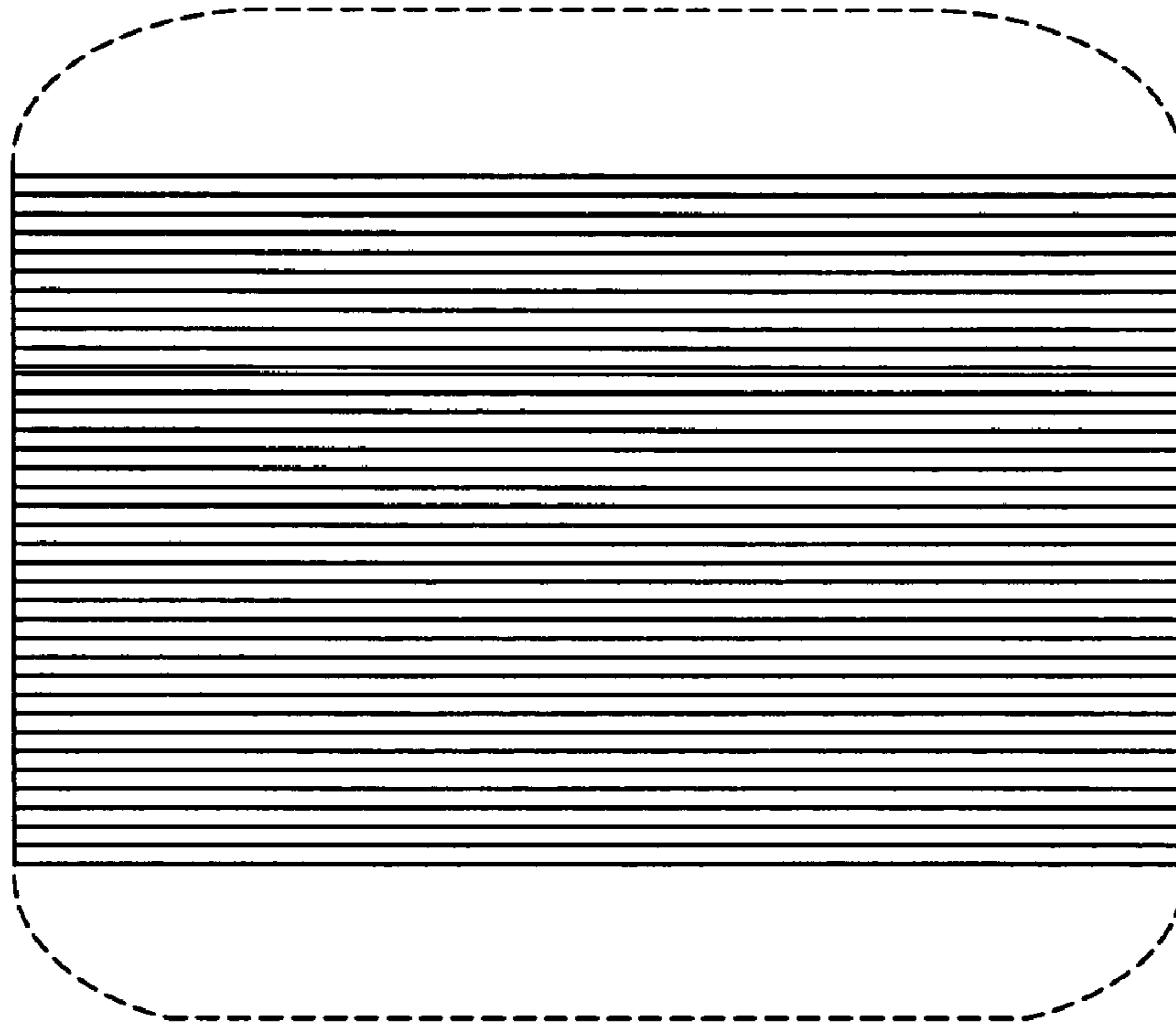


FIG. 2

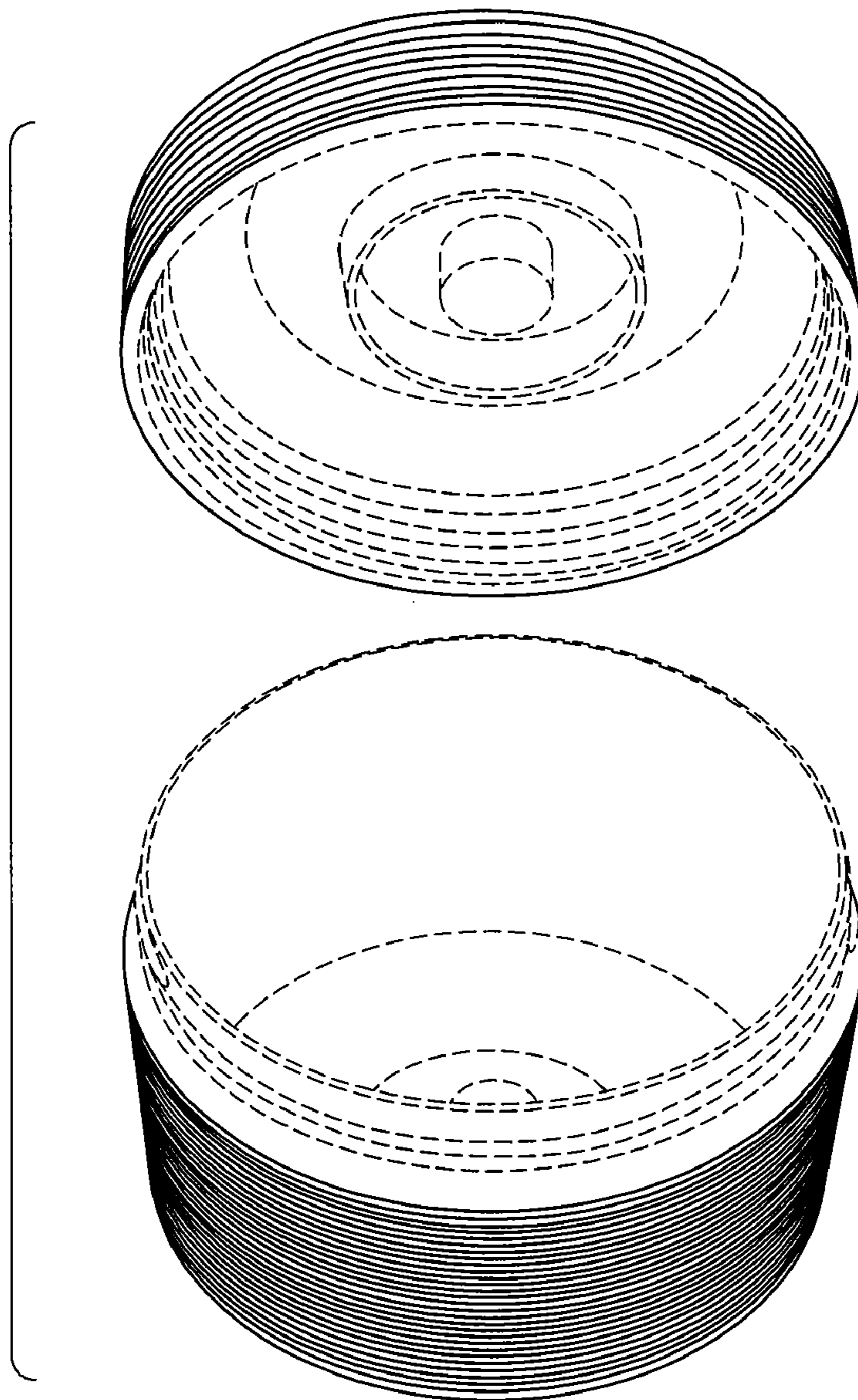


FIG. 3



FIG. 4

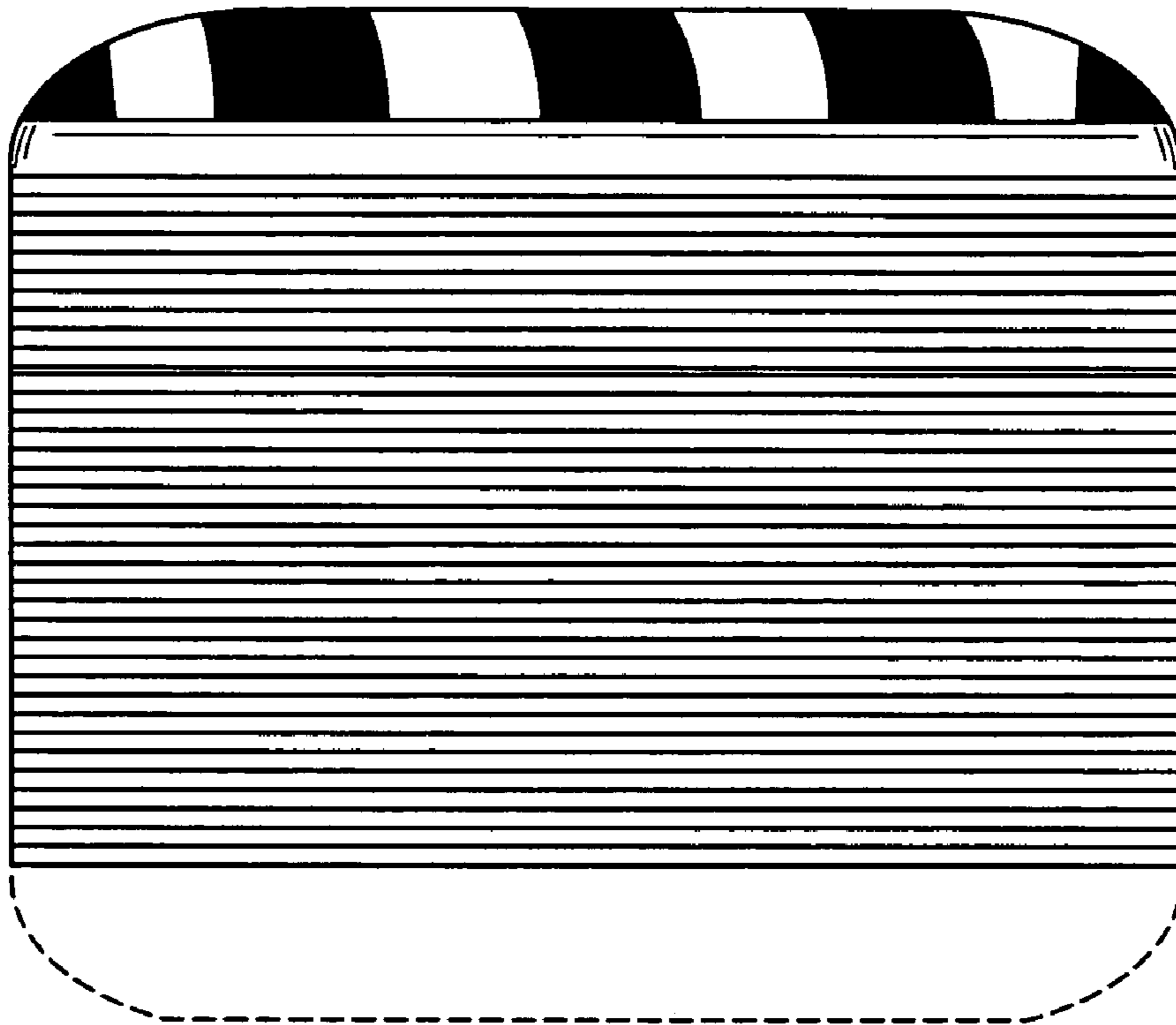


FIG. 5

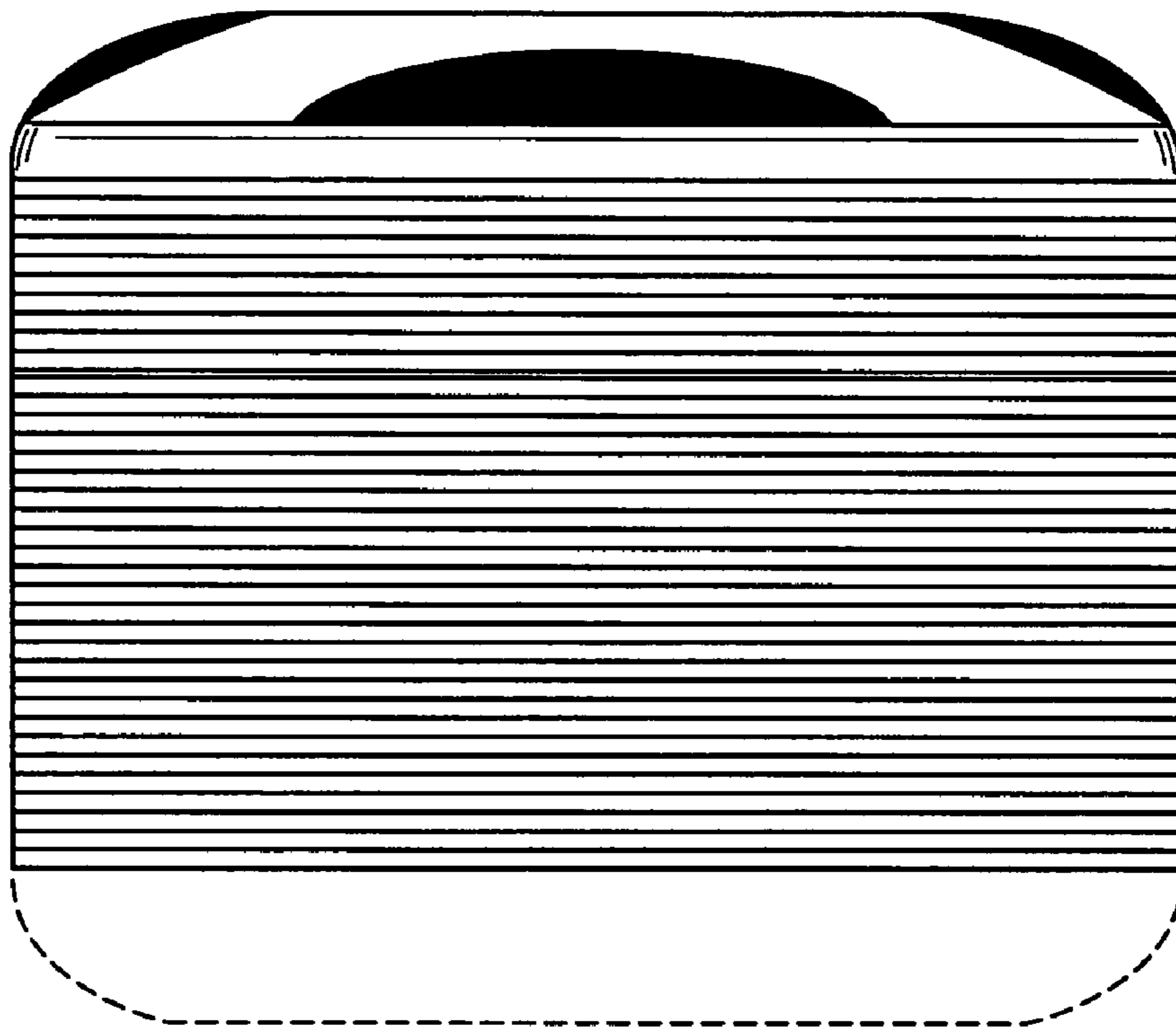


FIG. 6

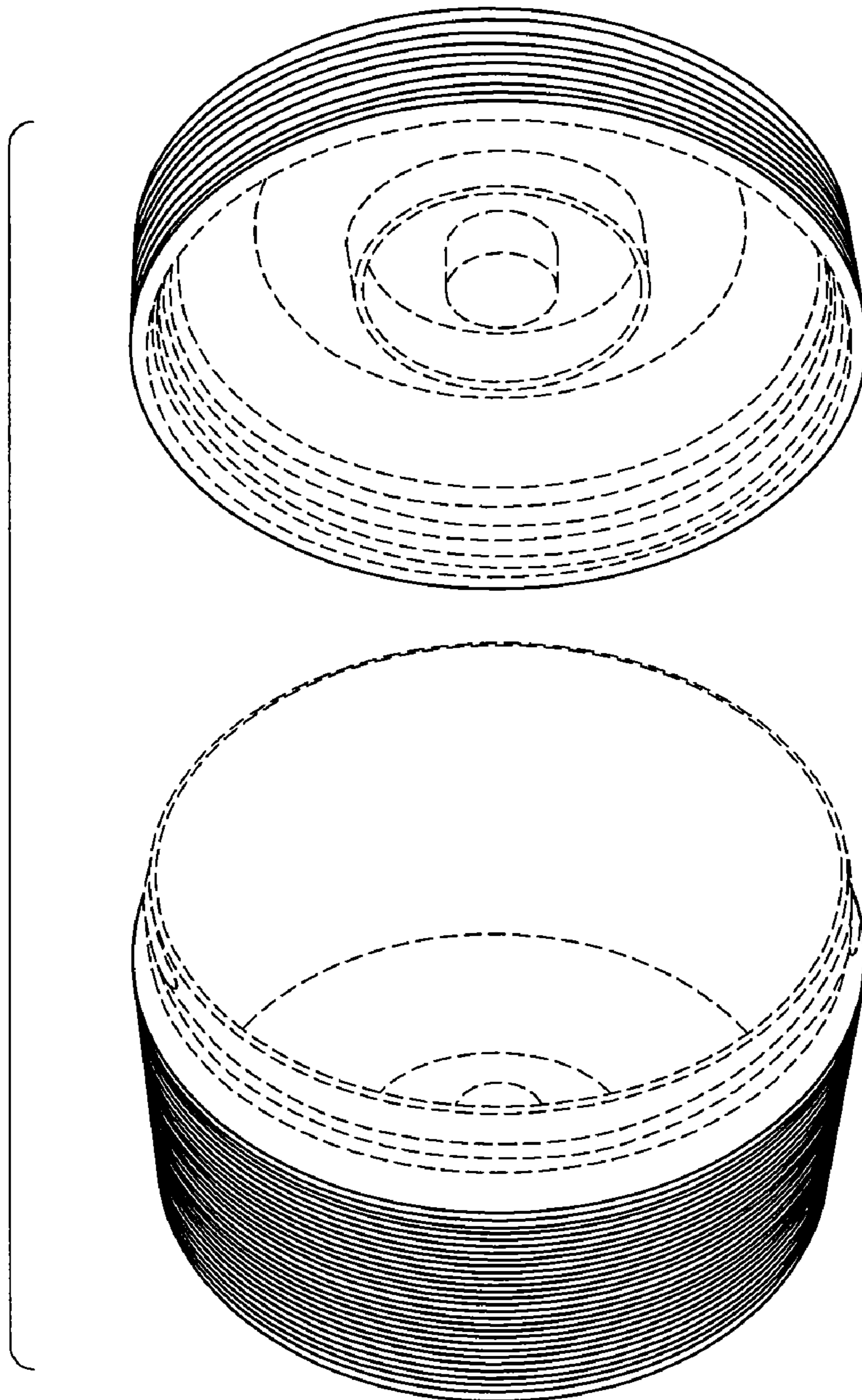


FIG. 7