



US00D583248S

(12) **United States Design Patent**
Little

(10) **Patent No.:** **US D583,248 S**

(45) **Date of Patent:** **** Dec. 23, 2008**

(54) **PLASTIC CONTAINER**

D569,733 S * 5/2008 Dodge et al. D9/544

(75) Inventor: **J. Steven Little**, Wadsworth, OH (US)

* cited by examiner

(73) Assignee: **Plastipak Packaging, Inc.**, Plymouth, MI (US)

Primary Examiner—Nanda Bondade
(74) *Attorney, Agent, or Firm*—Dykema Gossett PLLC

(**) Term: **14 Years**

(57) **CLAIM**

(21) Appl. No.: **29/288,704**

The ornamental design for a plastic container, as shown and described.

(22) Filed: **Jun. 20, 2007**

DESCRIPTION

(51) **LOC (8) Cl.** **09-01**

(52) **U.S. Cl.** **D9/557**

(58) **Field of Classification Search** D9/516,
D9/530, 541–543, 556–557, 563, 565–566,
D9/569–571, 573–575; 215/381–385, 396,
215/398; 220/660, 669, 675

See application file for complete search history.

FIG. 1 is a perspective view of the plastic container of the present invention showing the top, front and right side;

FIG. 2 is a front elevation view thereof;

FIG. 3 is a right side elevation view thereof;

FIG. 4 is a rear elevation view thereof;

FIG. 5 is a left side elevation view thereof;

FIG. 6 is a top plan view thereof; and,

FIG. 7 is a bottom plan view thereof.

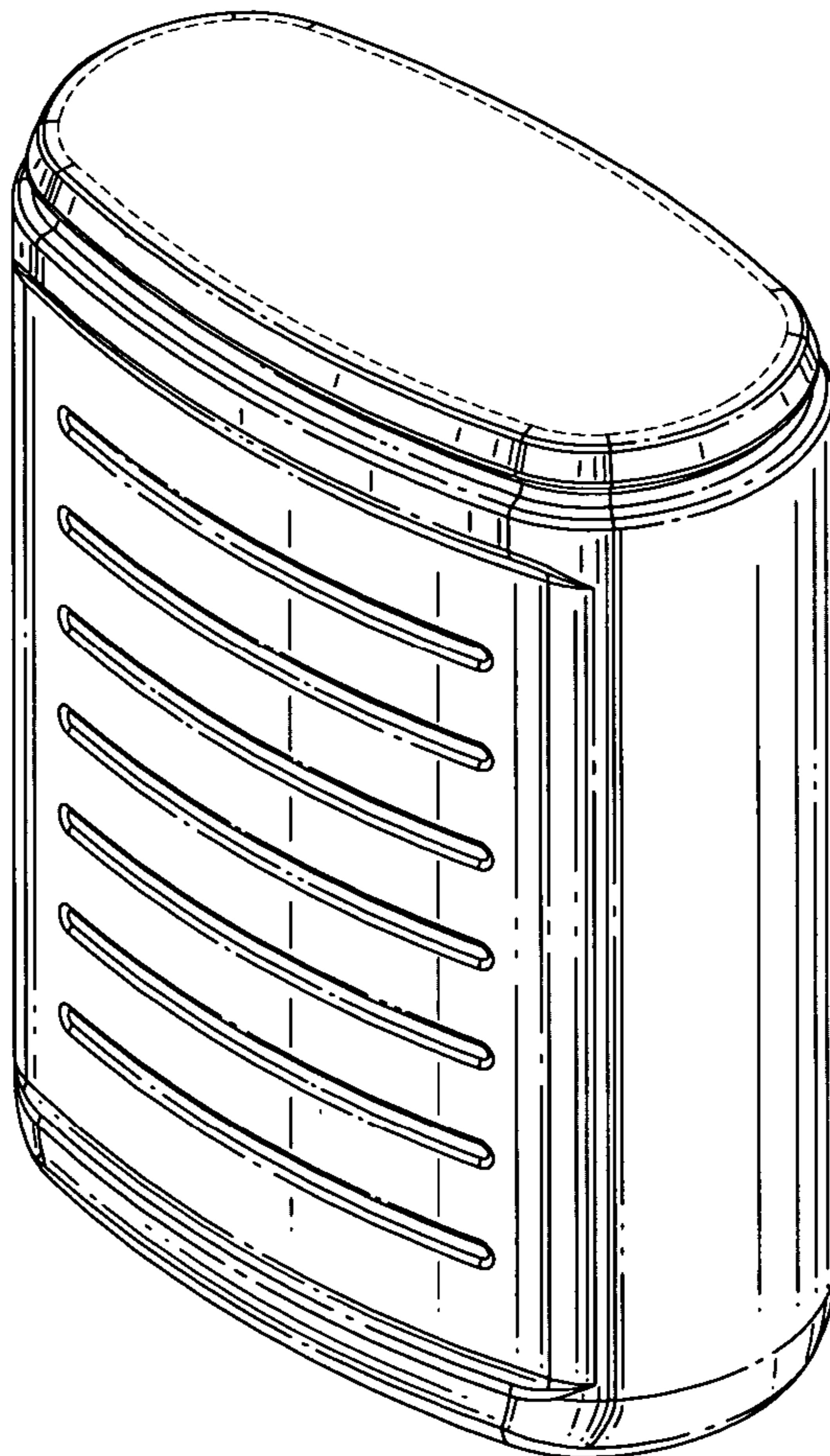
The broken lines shown in the drawings are for illustrative purposes only and form no part of the claimed design.

(56) **References Cited**

U.S. PATENT DOCUMENTS

5,174,458	A	*	12/1992	Segati	215/383
D467,809	S	*	12/2002	Pouillot et al.	D9/523
D482,625	S	*	11/2003	Crawford et al.	D9/564
D496,281	S	*	9/2004	Trude	D9/540

1 Claim, 2 Drawing Sheets



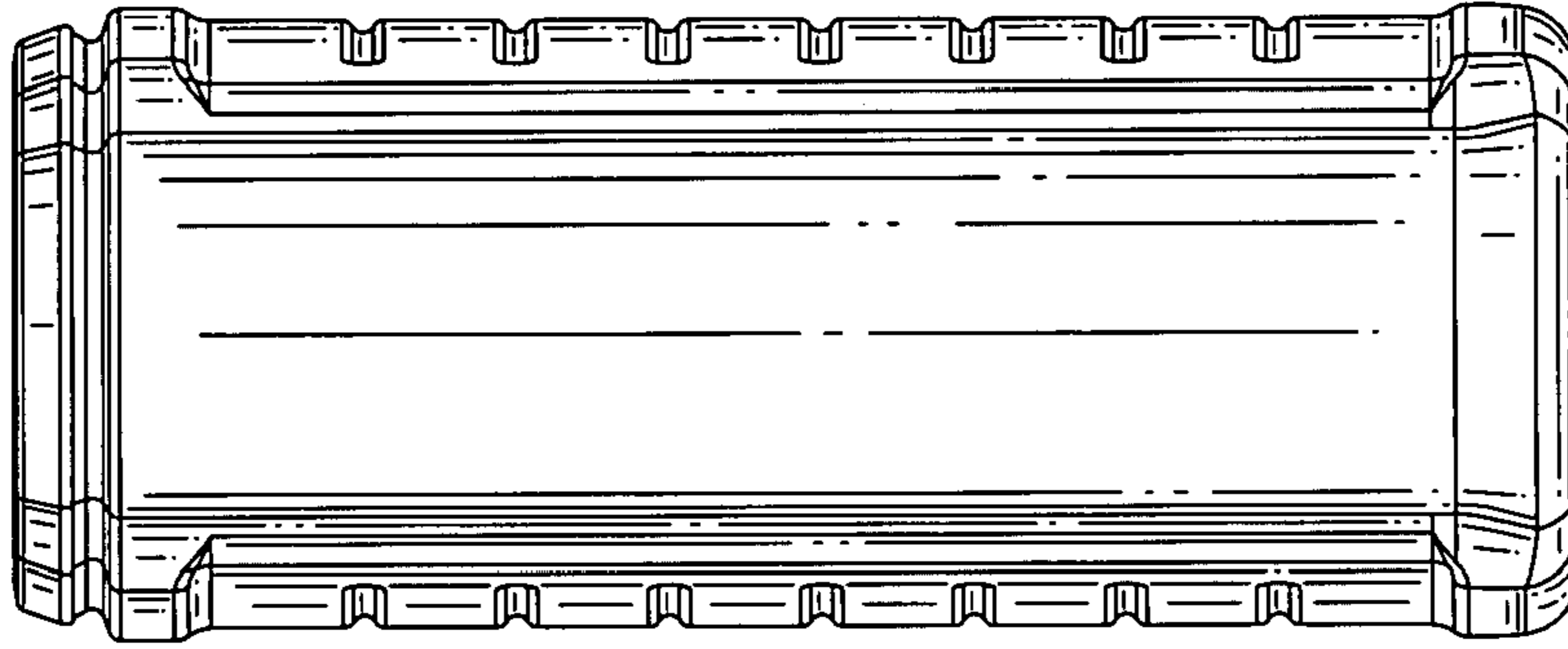


FIG. 3

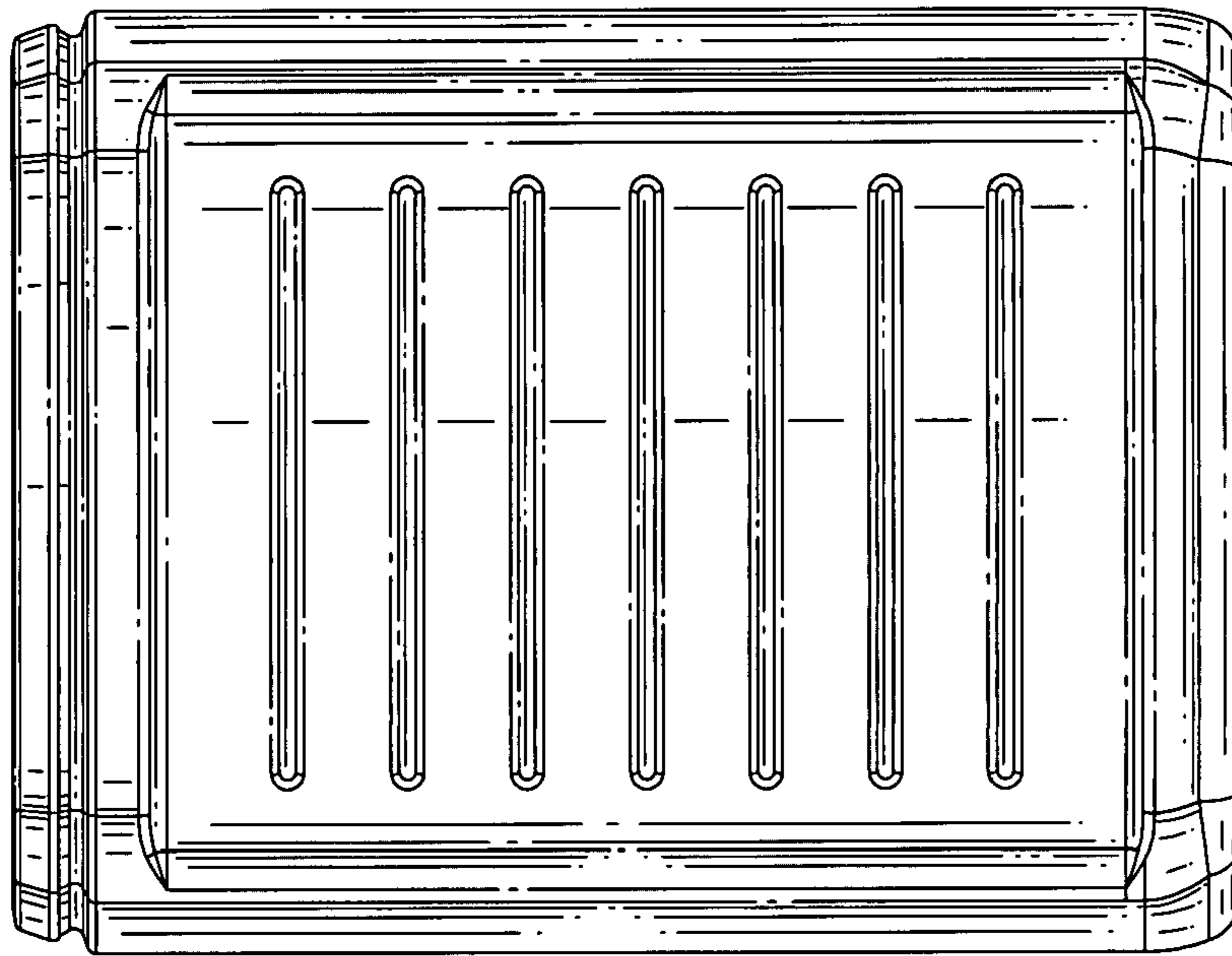


FIG. 2

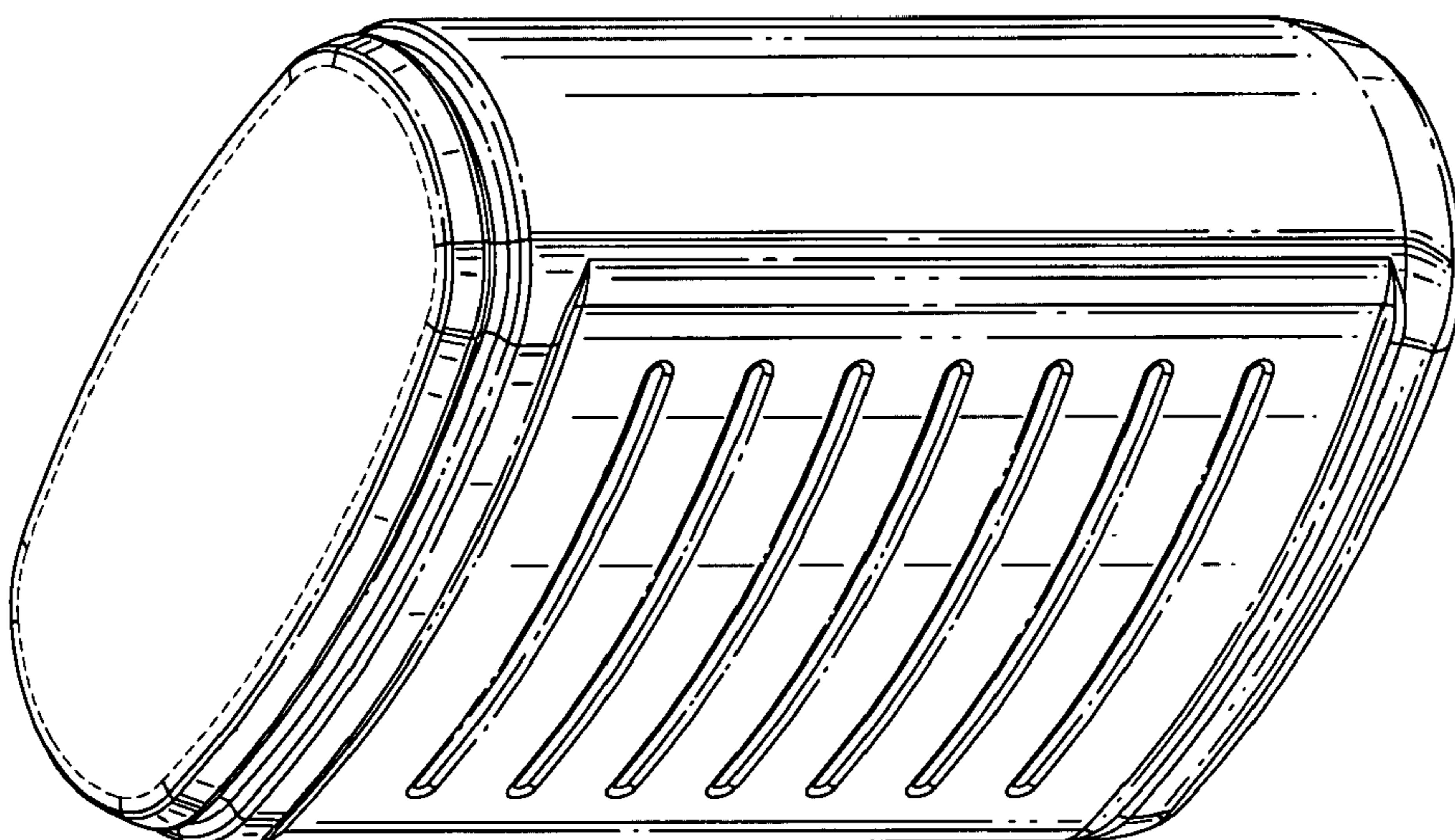


FIG. 1

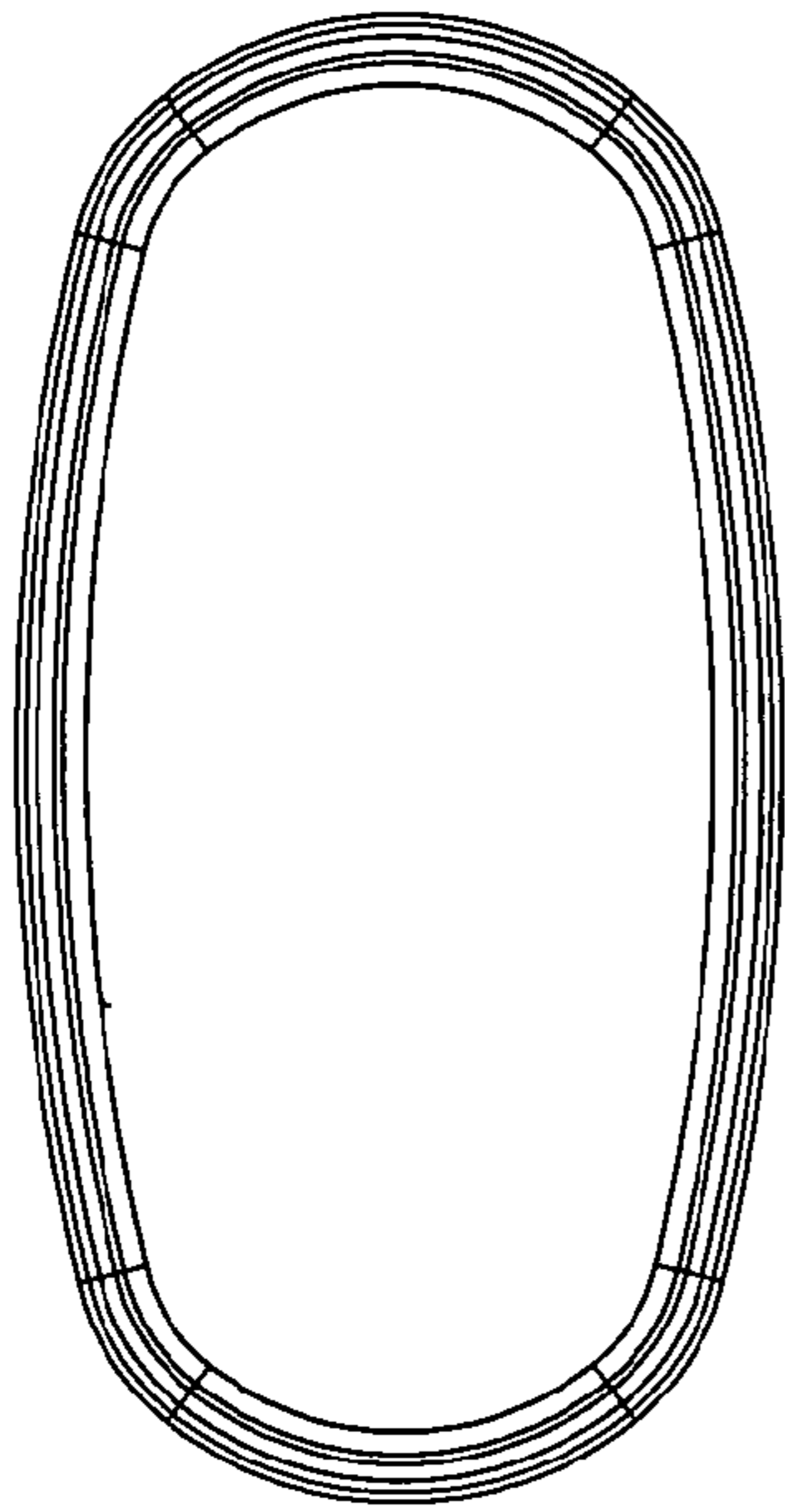


FIG. 6

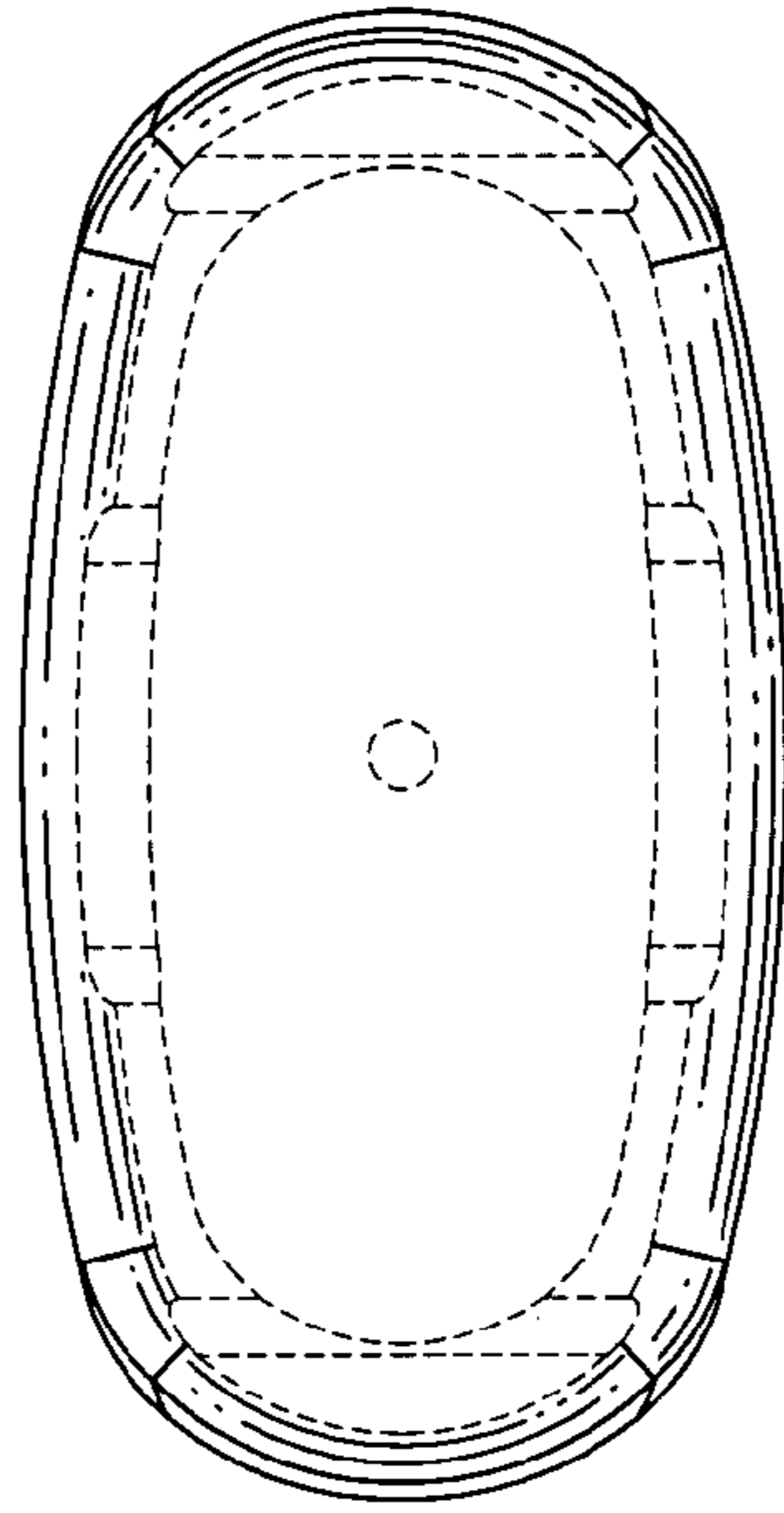


FIG. 7

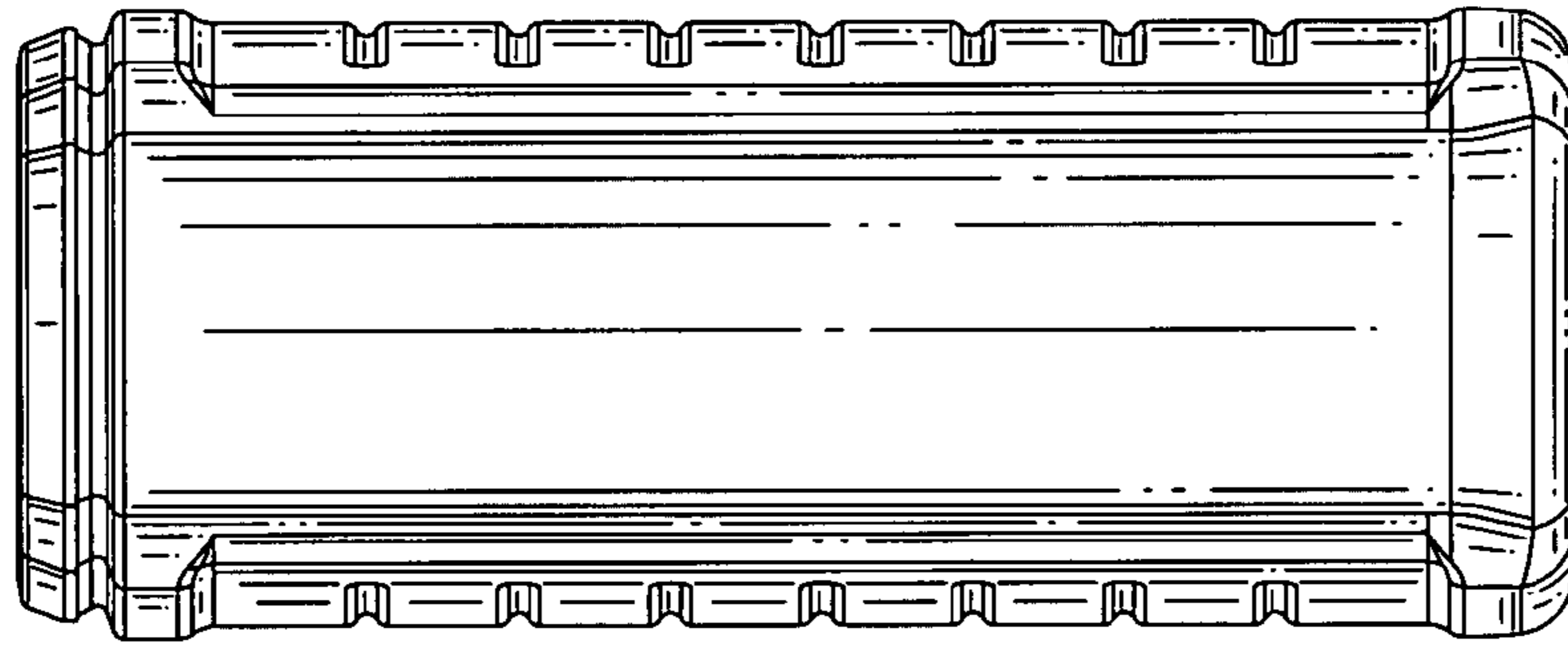


FIG. 5

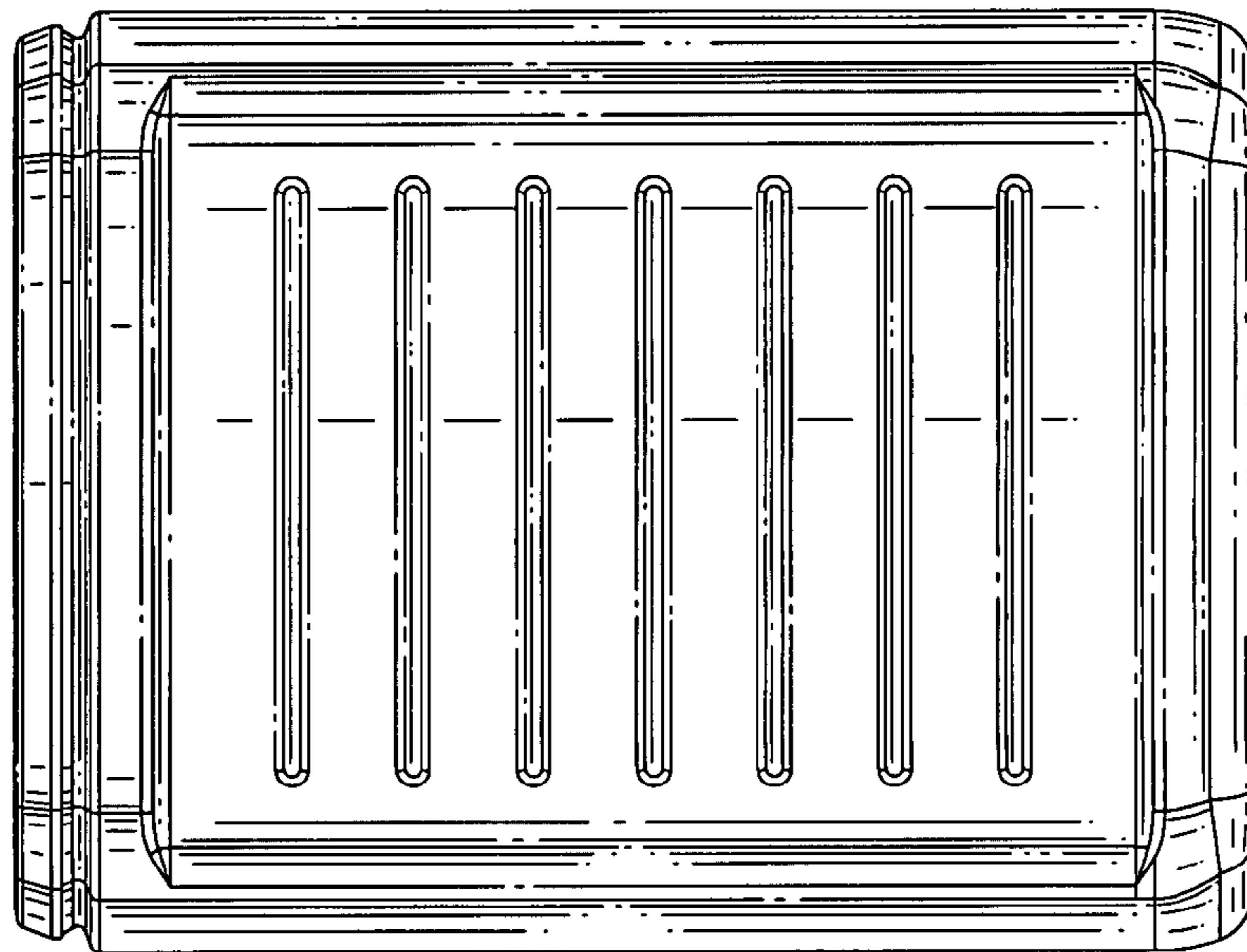


FIG. 4