



US00D583234S

(12) **United States Design Patent**  
**Lohrman et al.**

(10) **Patent No.:** **US D583,234 S**  
(45) **Date of Patent:** **\*\* Dec. 23, 2008**

(54) **DISPENSING CLOSURE WITH HINGED LID**

(75) Inventors: **Richard D. Lohrman**, North Aurora, IL (US); **Greg Soehnlén**, Canton, OH (US)

(73) Assignee: **Portola Packaging, Inc.**, Batavia, IL (US)

(\*\*) Term: **14 Years**

(21) Appl. No.: **29/279,879**

(22) Filed: **May 9, 2007**

(51) **LOC (8) Cl.** ..... **09-07**

(52) **U.S. Cl.** ..... **D9/449; D9/453**

(58) **Field of Classification Search** ..... D9/505,  
D9/453, 452, 449, 446; D24/121; D12/197;  
220/781, 288, 254.3; 215/329, 252, 237,  
215/230, 216; 600/577

See application file for complete search history.

(56) **References Cited**

**U.S. PATENT DOCUMENTS**

- 2,876,775 A \* 3/1959 Barr, Sr. et al. .... 600/577
- D197,926 S \* 4/1964 Boonton ..... D9/446
- D265,060 S \* 6/1982 Blank ..... D9/446
- 4,700,858 A \* 10/1987 Bennett ..... 215/237
- D306,701 S \* 3/1990 Beck ..... D9/446
- 5,007,555 A \* 4/1991 Beck ..... 220/254.3
- D451,393 S \* 12/2001 Gerhart et al. .... D9/453
- D508,402 S \* 8/2005 Hierzer et al. .... D9/449
- D513,585 S \* 1/2006 Biesecker et al. .... D9/449
- D533,781 S \* 12/2006 Freisem et al. .... D9/453

- D574,711 S \* 8/2008 Lederman et al. .... D9/505
- D576,877 S \* 9/2008 Alcamo et al. .... D9/449
- 2006/0011573 A1 \* 1/2006 Herald et al. .... 215/237

\* cited by examiner

*Primary Examiner*—Susan B Hattan

(74) *Attorney, Agent, or Firm*—Much Shelist; James P. Hanrath; Adam K. Sacharoff

(57) **CLAIM**

The ornamental design for a dispensing closure with hinged lid, as shown and described.

**DESCRIPTION**

FIG. 1 is a front view of a dispensing closure with hinged lid, said lid being in a closed position, showing our new design;

FIG. 2 is a back view thereof;

FIG. 3 is a left side view thereof;

FIG. 4 is a right side view thereof;

FIG. 5 is a top plan view thereof;

FIG. 6 is a bottom view thereof; and

FIG. 7 is a front perspective view thereof.

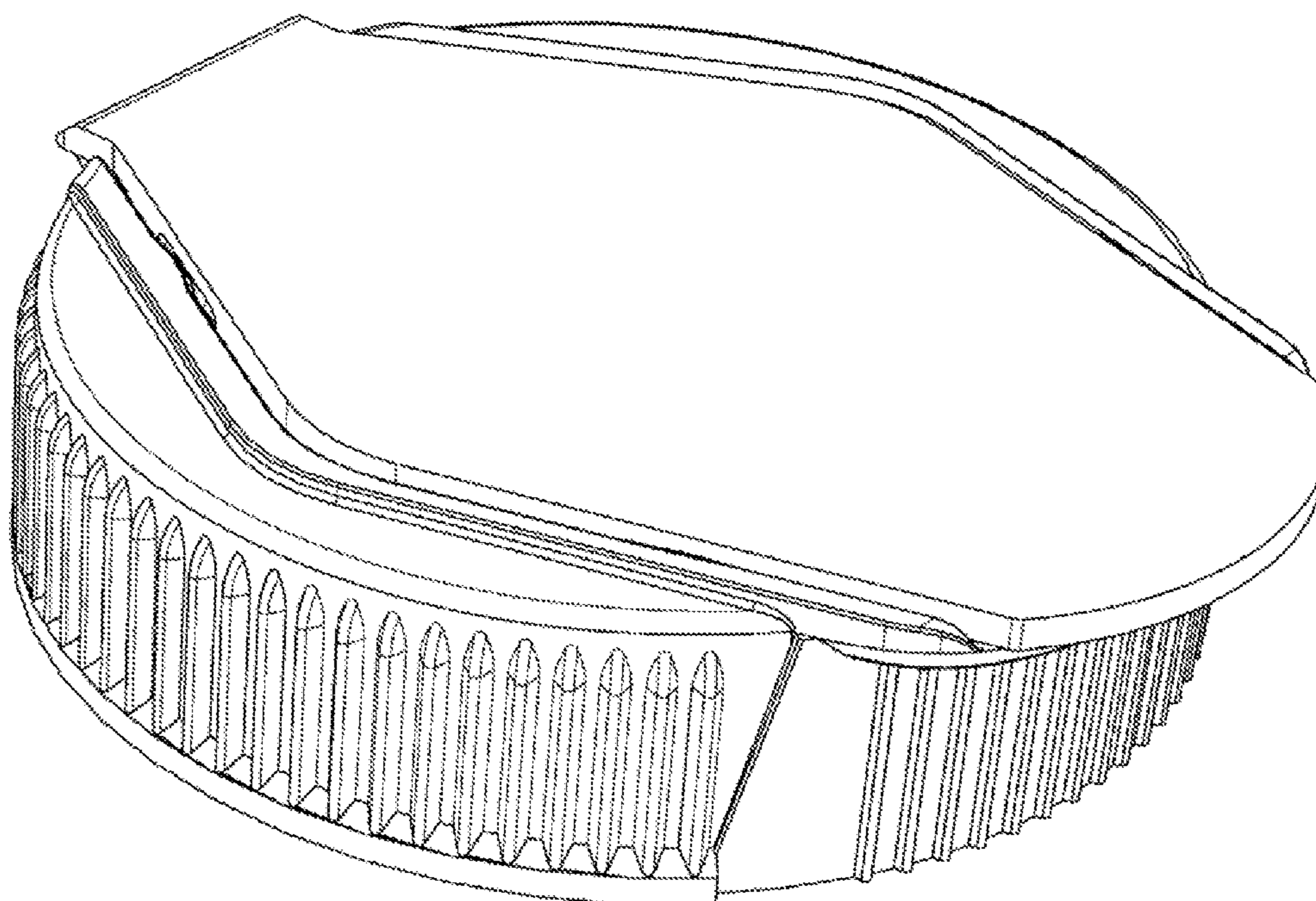
FIG. 8 is a front view of a dispensing closure with hinged lid, said lid being in an open position, showing our new design;

FIG. 9 is a top plan view thereof;

FIG. 10 is a left side view thereof; and,

FIG. 11 is a bottom view thereof.

**1 Claim, 11 Drawing Sheets**



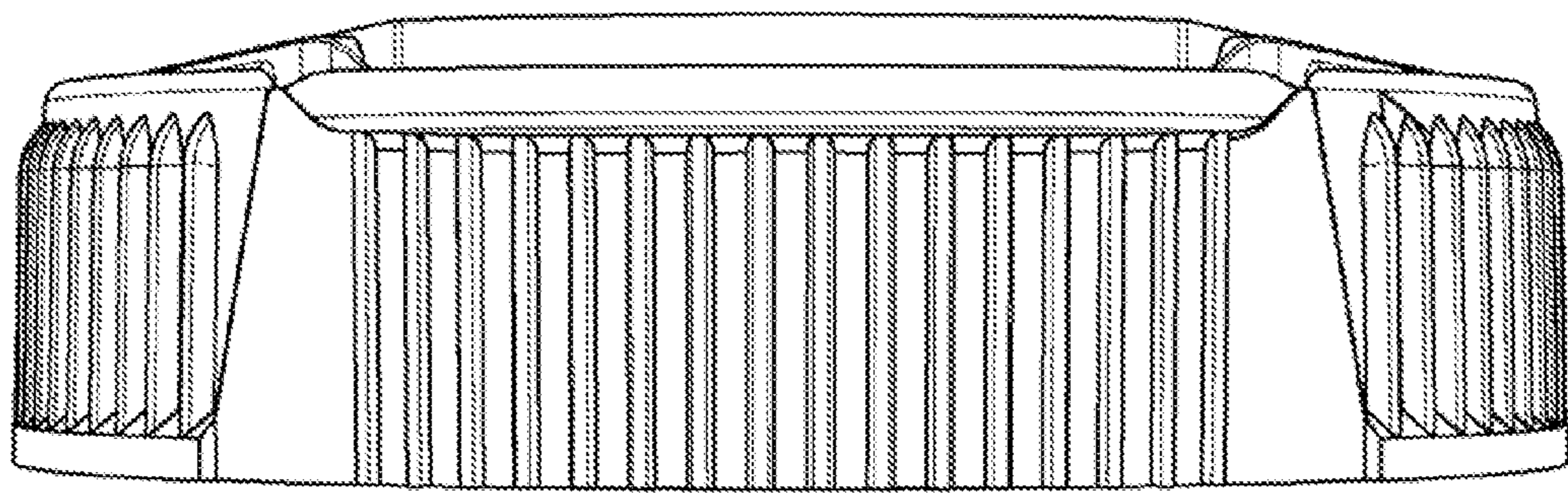


FIG. 1

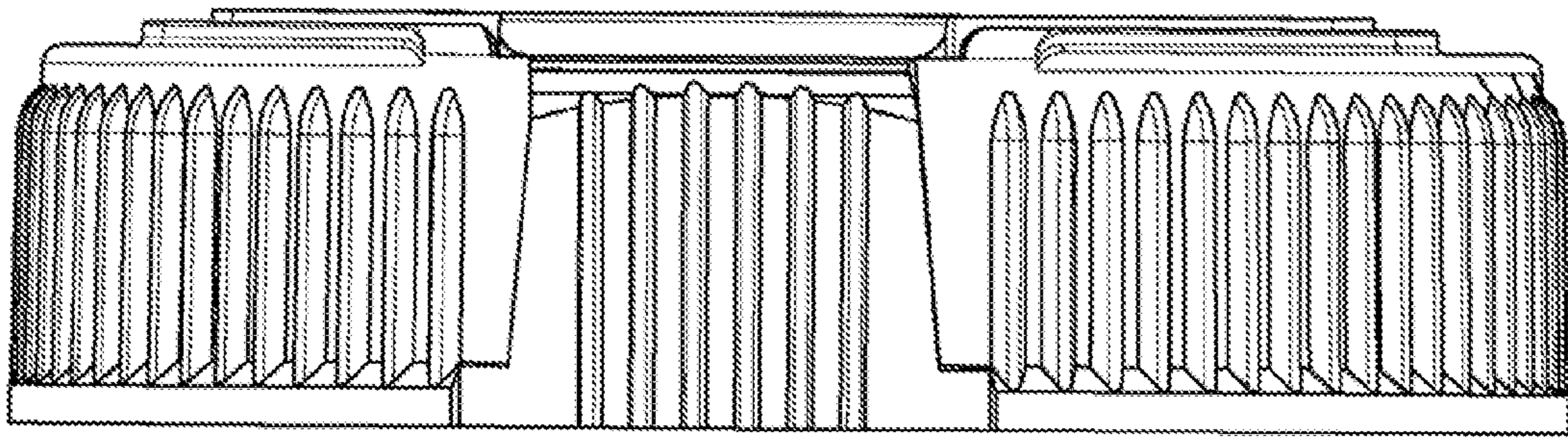


FIG. 2



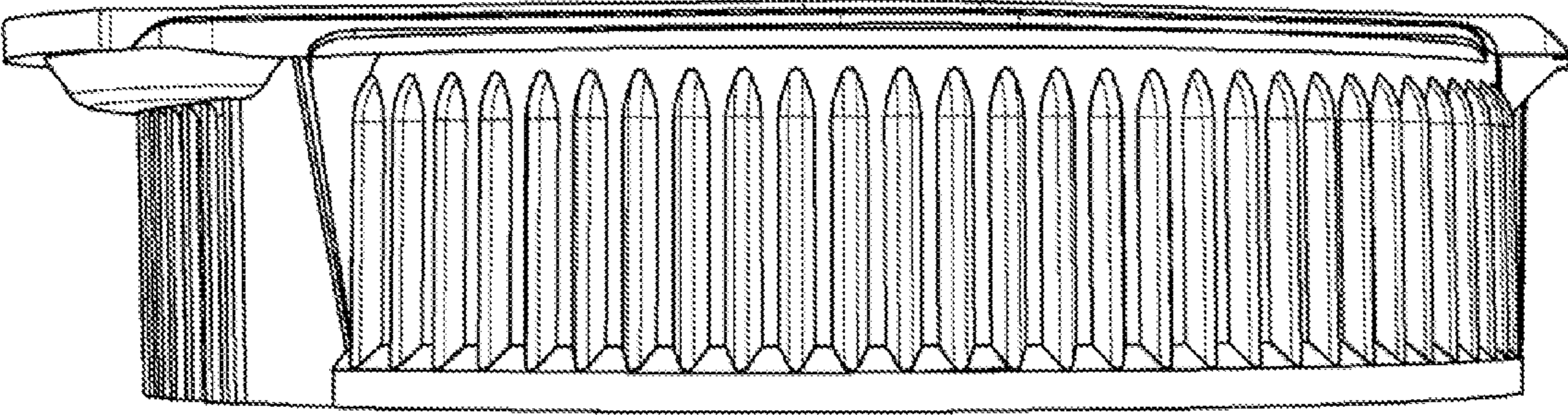


FIG. 3

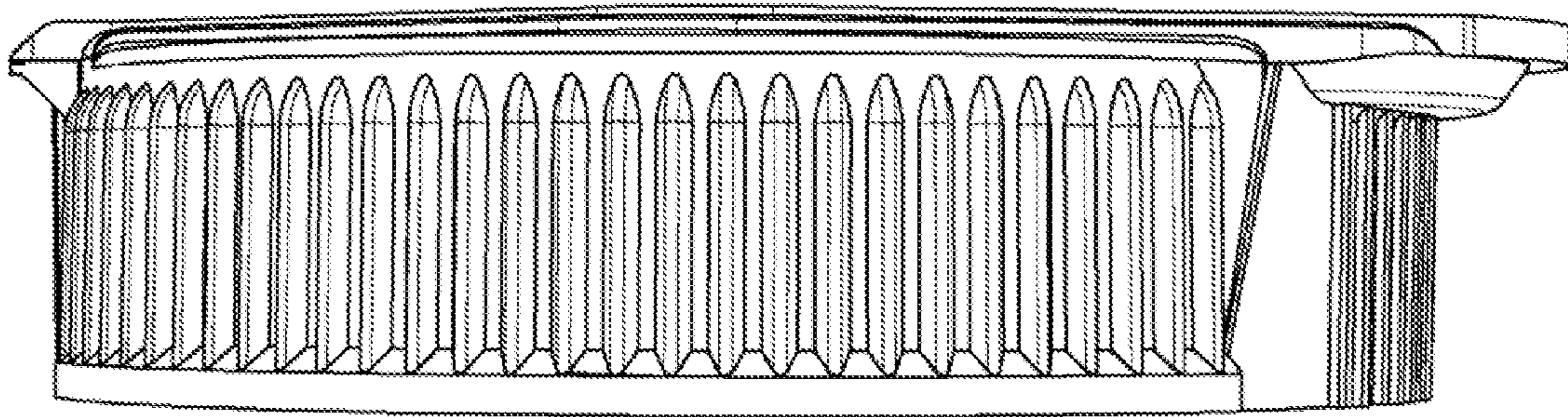


FIG. 4

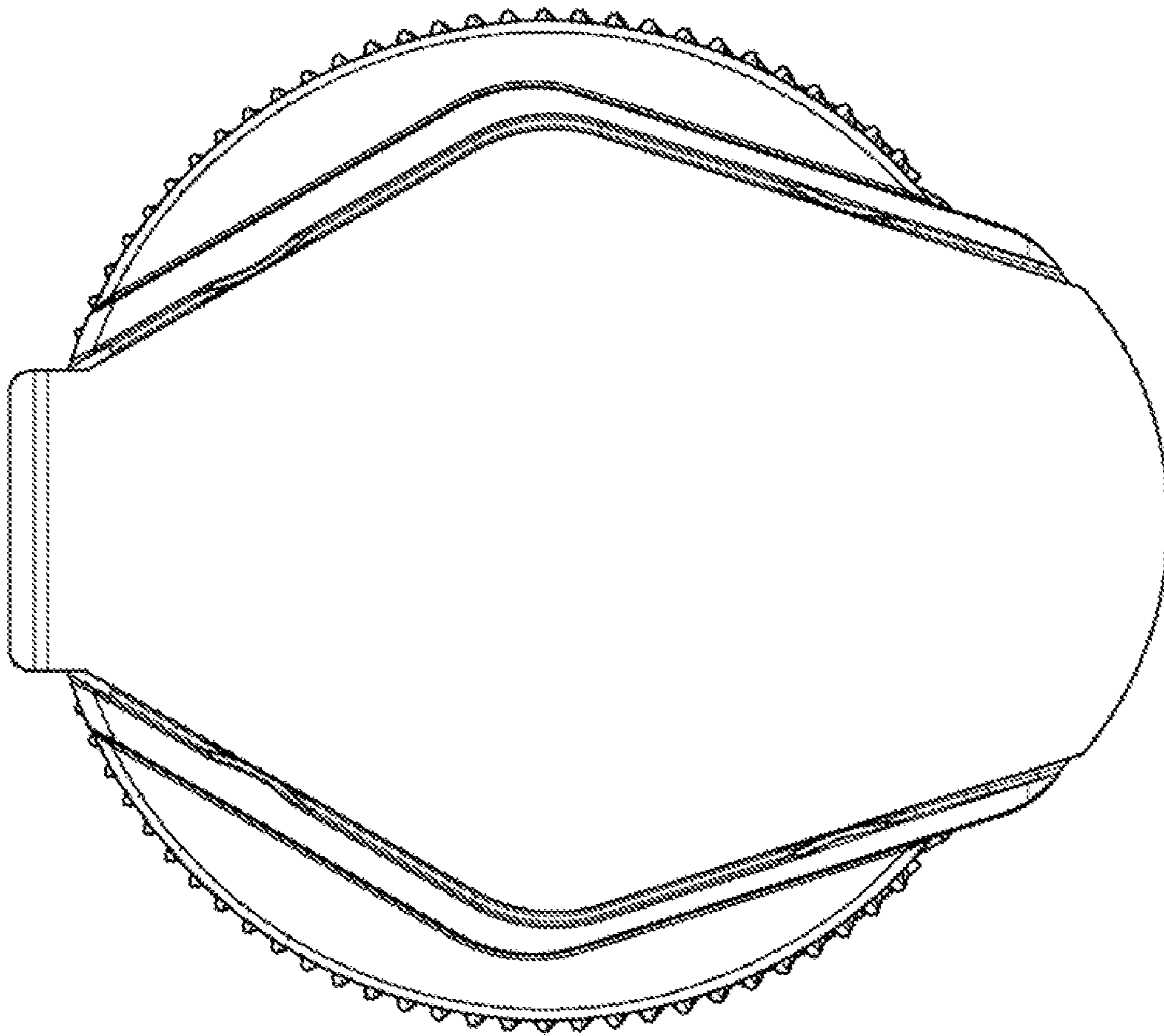


FIG. 5

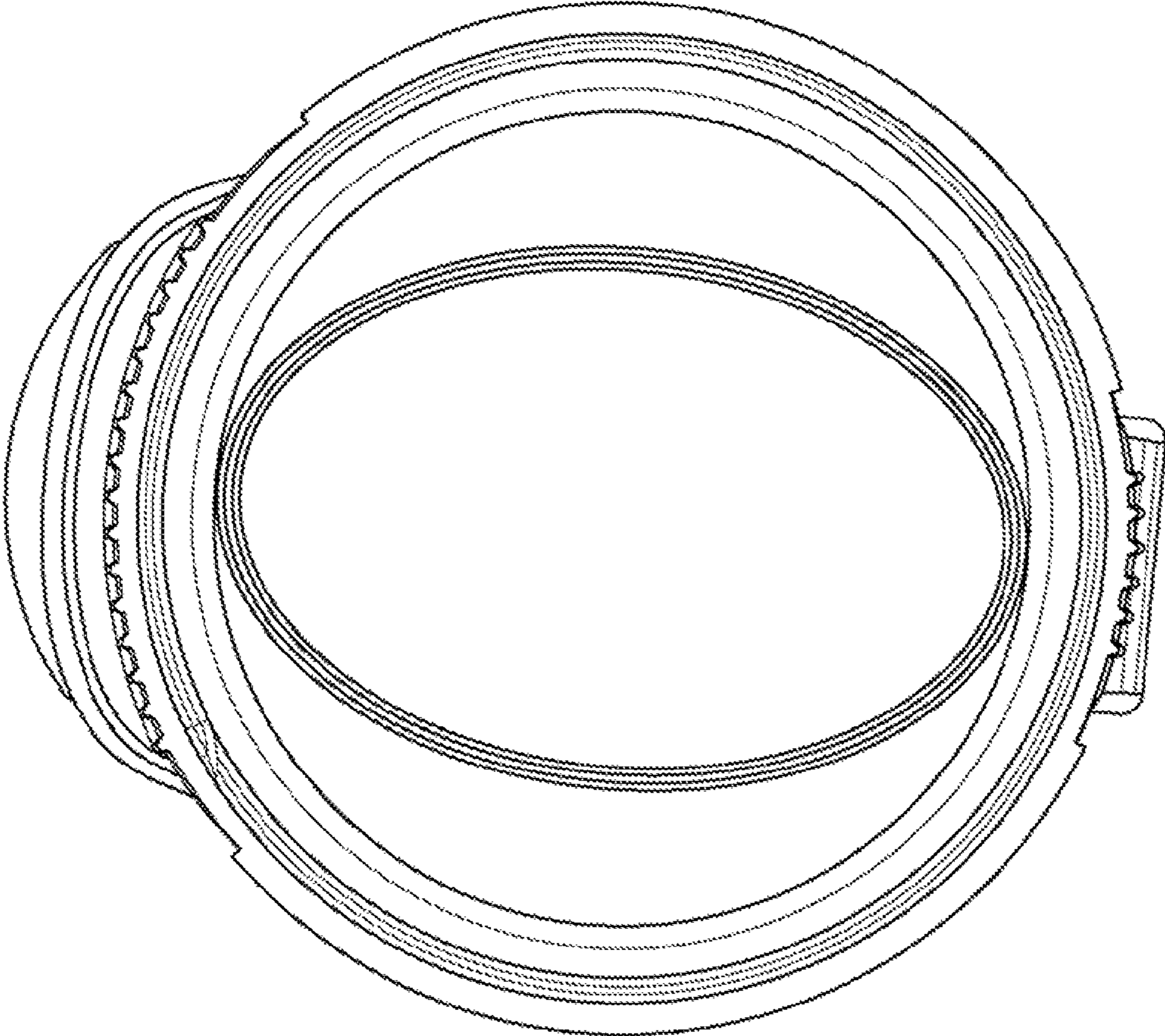


FIG. 6



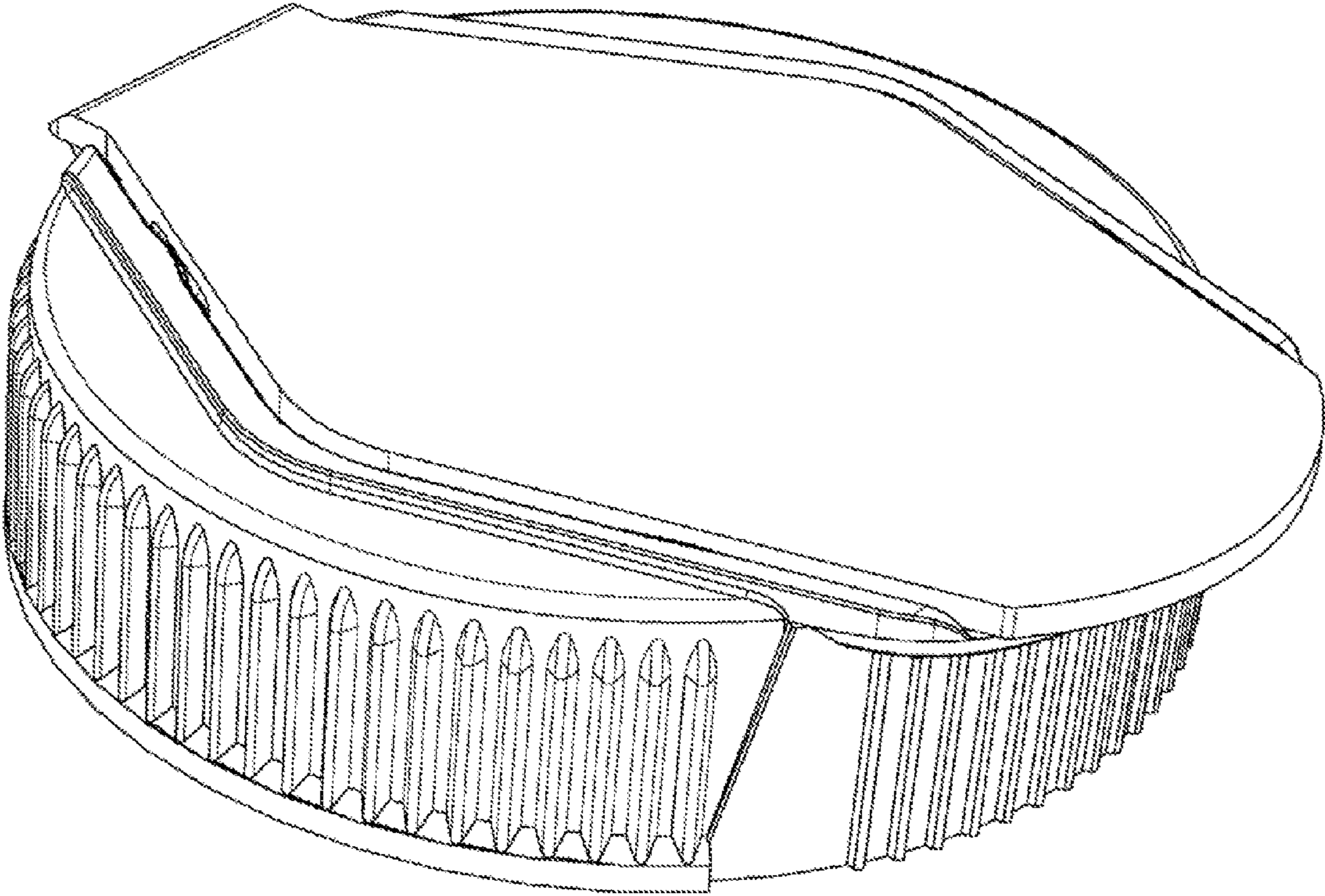


FIG. 7



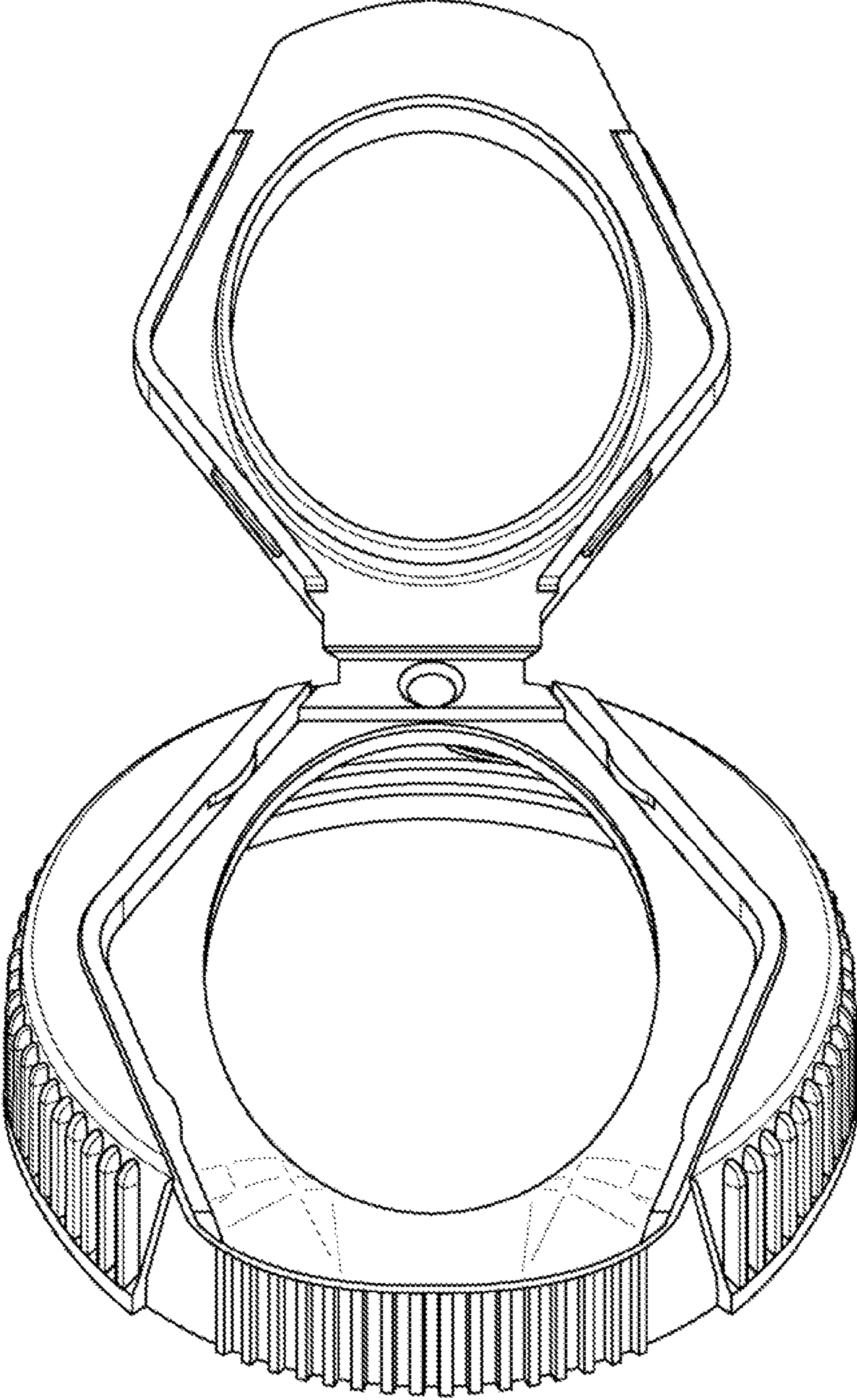


FIG. 8

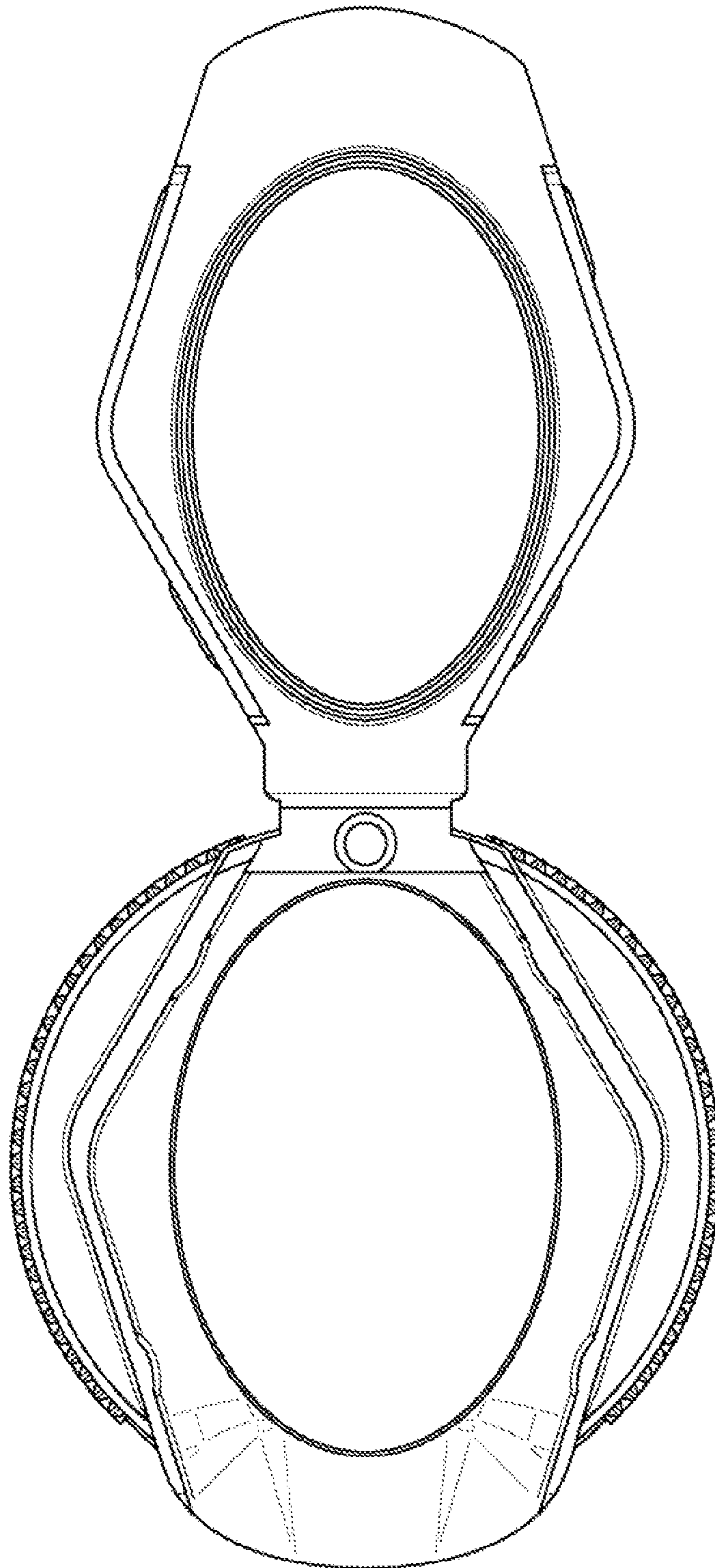


FIG. 9

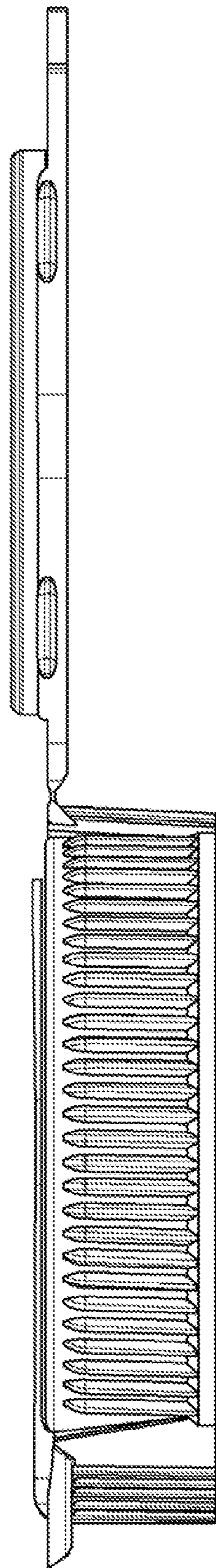


FIG. 10



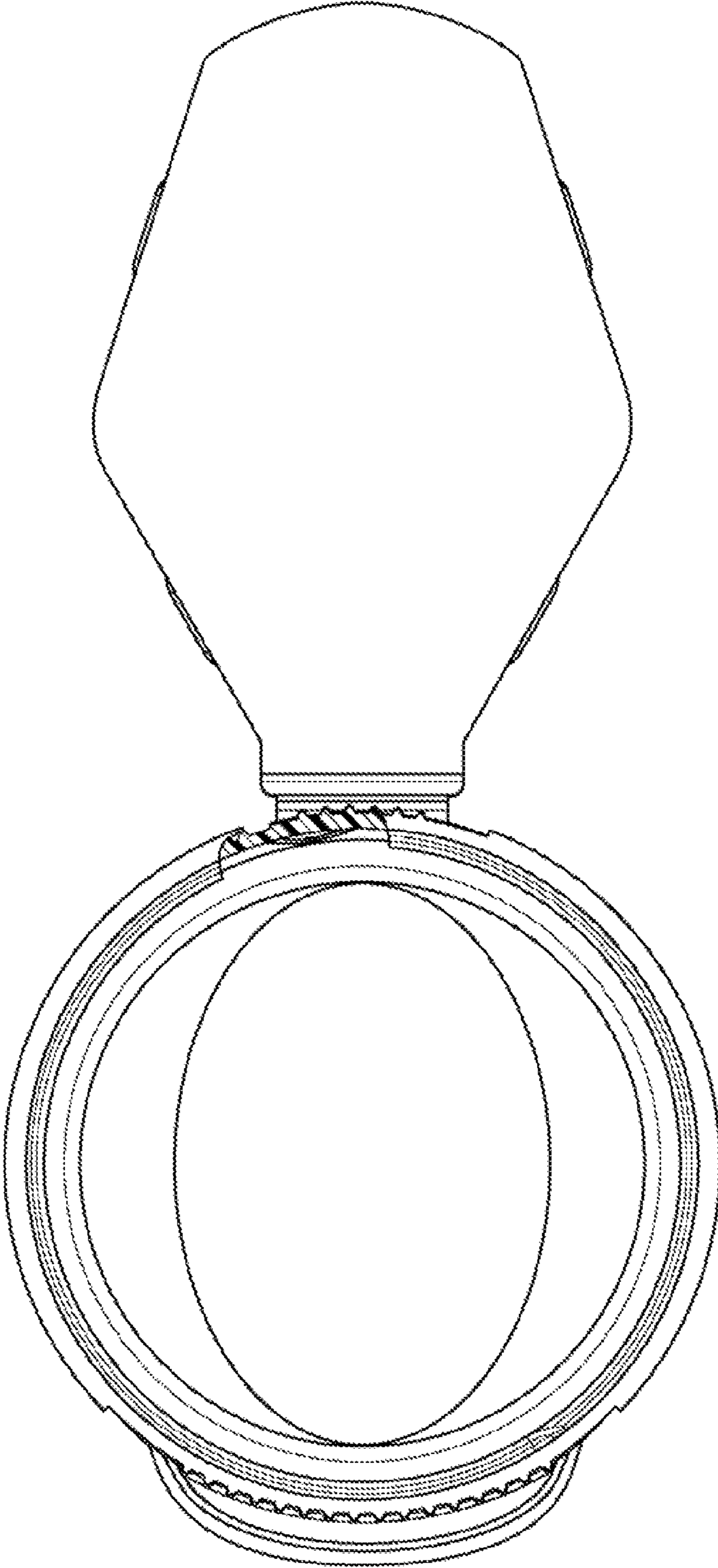


FIG. 11