



US00D583230S

(12) **United States Design Patent**
Maze et al.

(10) **Patent No.:** **US D583,230 S**
(45) **Date of Patent:** **** Dec. 23, 2008**

(54) **BOTTLE LID**
(75) Inventors: **Jack E. Maze**, Long Grove, IL (US);
Richard A. Peterson, II, Marengo, IL
(US); **Roger K. Thompson**, Chicago, IL
(US)
(73) Assignee: **Medline Industries, Inc.**, Mundelein, IL
(US)
(**) Term: **14 Years**
(21) Appl. No.: **29/294,070**
(22) Filed: **Dec. 20, 2007**
(51) **LOC (8) Cl.** **09-07**
(52) **U.S. Cl.** **D9/436; D9/443; D9/454**
(58) **Field of Classification Search** D9/455,
D9/453, 452, 445, 444, 443, 438, 436, 435,
D9/434; D7/624.3, 624.2, 622, 619.1, 608,
D7/607, 392.1, 629, 553.6; 220/903, 780;
215/352, 328, 256, 253, 252, 243, 237, 228,
215/223

5,655,229 A	8/1997	Horn	4/144.3
5,722,096 A	3/1998	Pfaeffle	4/144.1
5,839,123 A	11/1998	Dunham, Sr.	4/144.1
5,947,309 A	9/1999	Anderson	215/44
6,070,275 A	6/2000	Garlock	4/144.1
6,109,441 A	8/2000	Anderson	206/526
D430,655 S	9/2000	Anderson	D23/302
6,119,280 A	9/2000	Rentsch	4/144.1
6,163,892 A	12/2000	Abbato	4/144.1
6,212,691 B1	4/2001	Heberer	4/144.1
6,588,024 B2	7/2003	Koelliker et al.	4/144.1
D482,780 S	11/2003	Robbins et al.	D24/122
D495,600 S *	9/2004	Kouri	D9/435
D497,981 S	11/2004	Call	D23/302
6,941,587 B1	9/2005	Fletcher	4/144.3
6,968,577 B1	11/2005	Taft, Jr.	4/144.1
D522,857 S *	6/2006	Tabeshnekoo	D9/435
D539,139 S *	3/2007	Storer et al.	D9/434
7,251,843 B2	8/2007	Malloy et al.	4/144.1
D554,017 S *	10/2007	Hampton	D10/119
2003/0014808 A1	1/2003	Koelliker et al.	4/144.1
2005/0097660 A1	5/2005	Malloy, Sr. et al.	4/144.1
2005/0097661 A1	5/2005	Malloy et al.	4/144.1
2007/0136936 A1	6/2007	Malloy, Sr. et al.	4/144.1

* cited by examiner

Primary Examiner—Susan B Hattan
(74) *Attorney, Agent, or Firm*—Nixon Peabody LLP

See application file for complete search history.

(56) **References Cited**

U.S. PATENT DOCUMENTS

2,789,607 A *	4/1957	Tupper	220/780
3,044,611 A *	7/1962	Tupper	220/802
4,270,231 A	6/1981	Zint	4/144.1
D260,370 S *	8/1981	Peterson	D9/436
D286,569 S	11/1986	Nakao et al.	D24/54
D288,608 S	3/1987	Dahlberg	D24/54
D297,462 S	8/1988	Menchen	D24/54
D302,793 S *	8/1989	Yamaguchi	D9/436
5,007,116 A	4/1991	Yamamoto	4/144.2
5,065,459 A	11/1991	Tjahaja et al.	4/144.2
D338,621 S *	8/1993	Balson	D9/434
5,235,705 A	8/1993	Belisle	4/144.3
5,343,570 A	9/1994	Arpaia et al.	4/144.1
D359,451 S *	6/1995	Dees	D9/443
5,458,252 A	10/1995	Logel	215/271

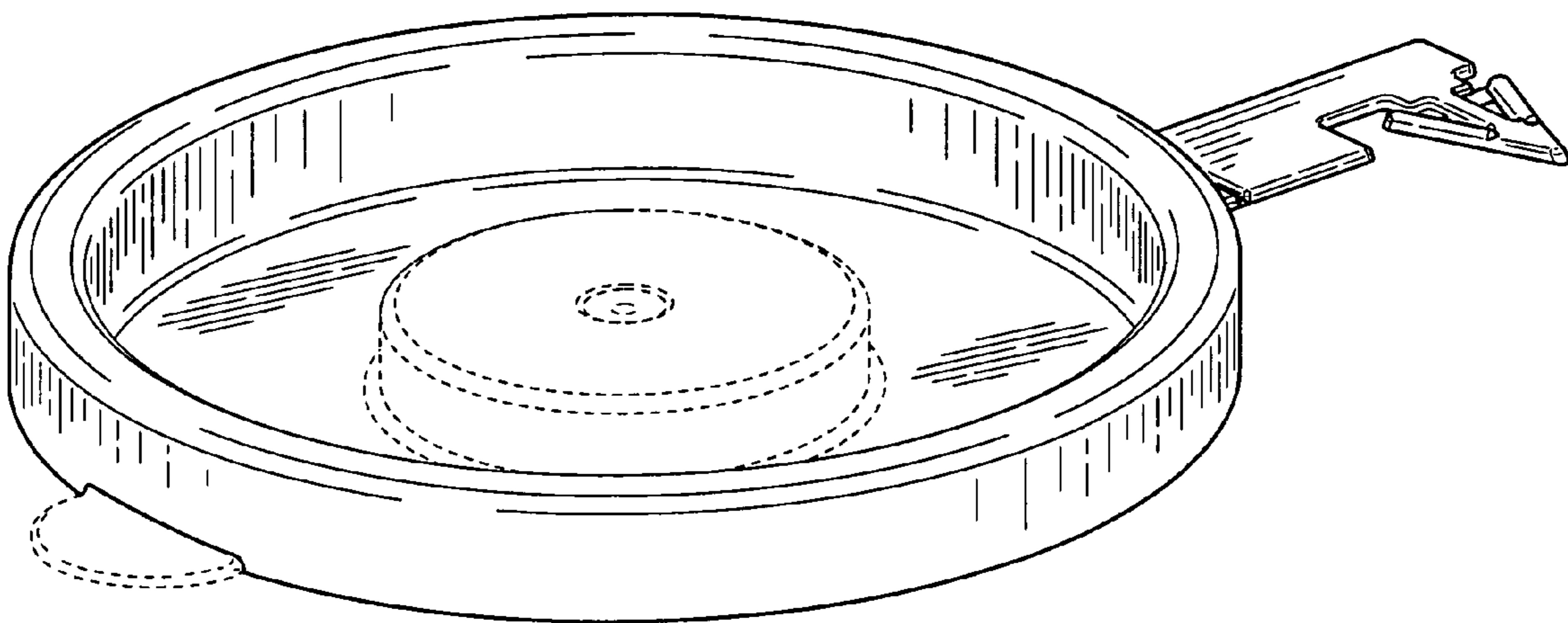
(57) **CLAIM**

The ornamental design for bottle lid, as shown and described.

DESCRIPTION

FIG. 1 is a top perspective view of the bottle lid;
FIG. 2 is a side view;
FIG. 3 is a side view of the other side;
FIG. 4 is front view;
FIG. 5 is a back view;
FIG. 6 is a top view; and,
FIG. 7 is a bottom view.

1 Claim, 3 Drawing Sheets



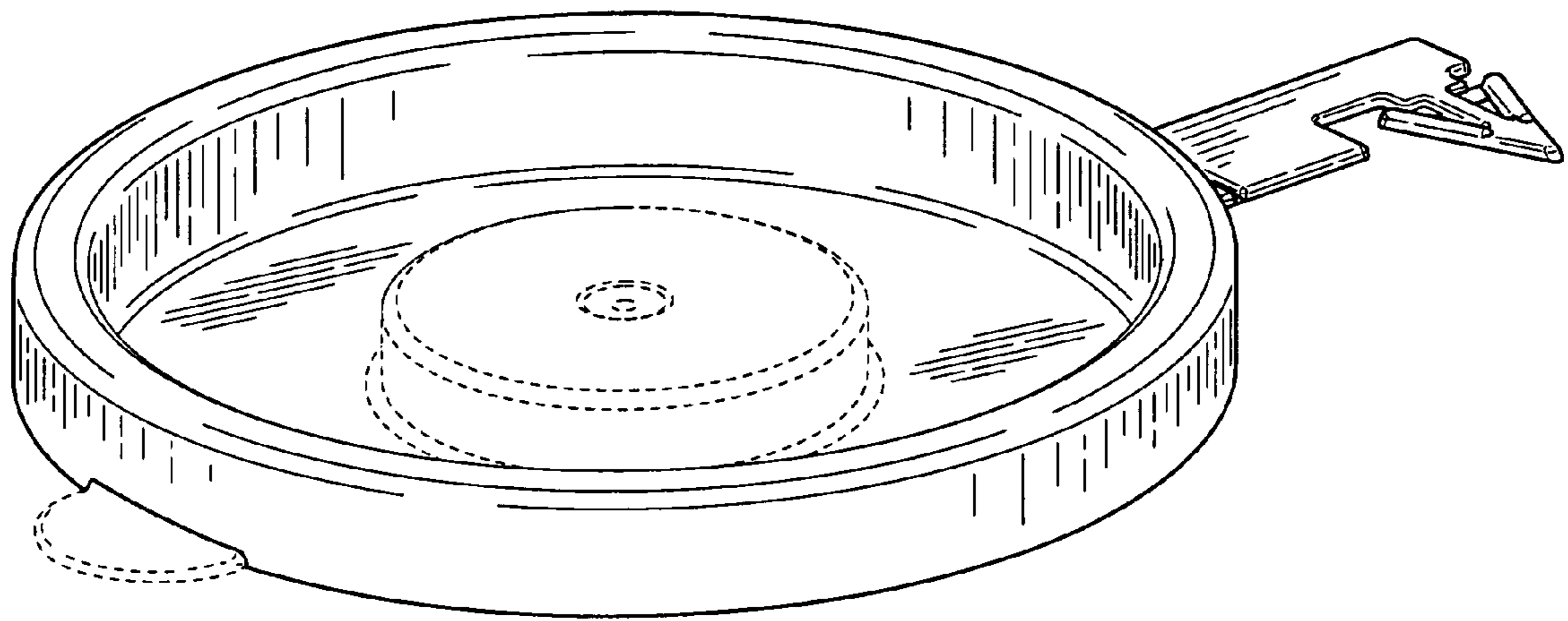


FIG. 1

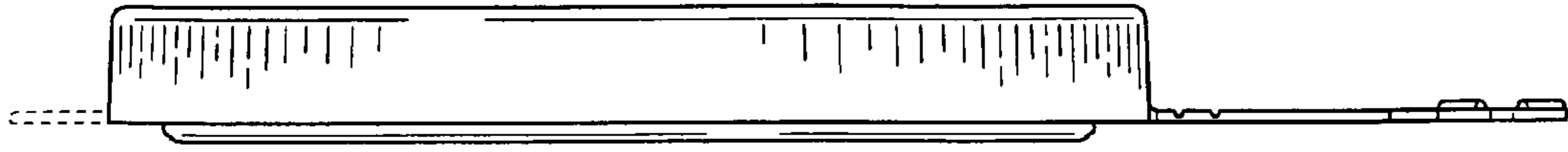


FIG. 2

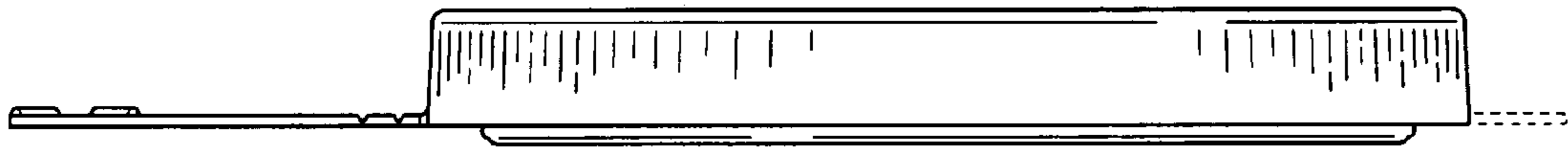


FIG. 3

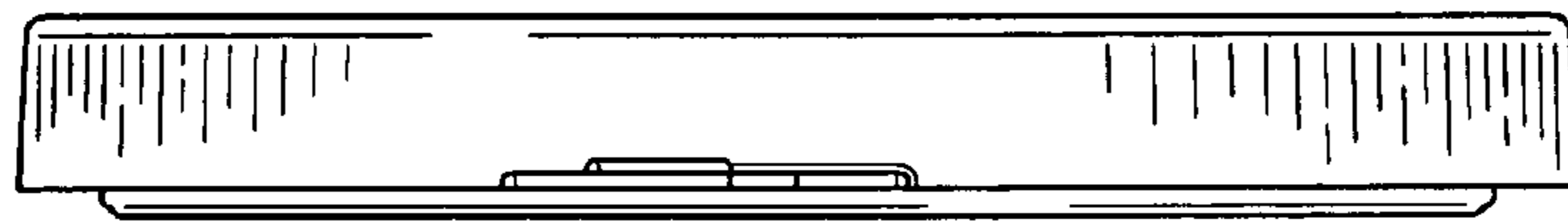


FIG. 4

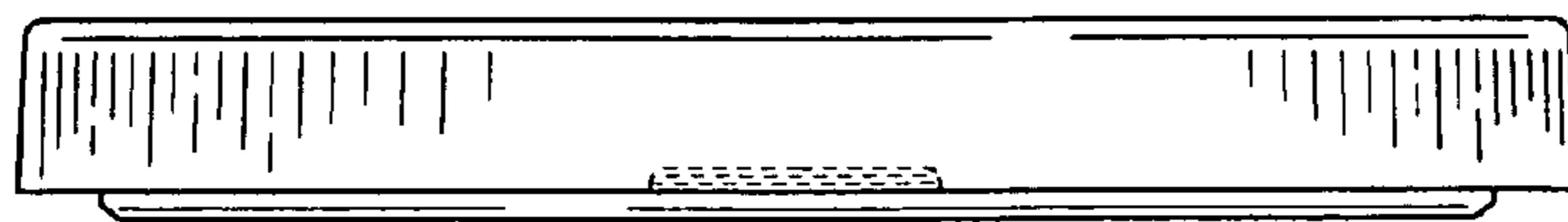


FIG. 5

