



US00D583229S

(12) **United States Design Patent**
Mattila

(10) **Patent No.:** **US D583,229 S**

(45) **Date of Patent:** **** Dec. 23, 2008**

(54) **BOX**
(75) Inventor: **Mika Mattila**, Tampere (FI)
(73) Assignee: **Nokia Corporation**, Espoo (FI)
(**) Term: **14 Years**

D449,525 S * 10/2001 Sturgess D9/432
D461,120 S * 8/2002 Ostro D9/759
D464,568 S * 10/2002 Sisinni D9/432
D471,807 S * 3/2003 Sisinni D9/432
D494,862 S * 8/2004 Sisinni D9/432
7,097,043 B2 * 8/2006 Hsu 206/784
2003/0029769 A1 * 2/2003 Ausaf 206/549
2008/0054057 A1 * 3/2008 Chang 229/120.18

(21) Appl. No.: **29/249,794**

FOREIGN PATENT DOCUMENTS

(22) Filed: **Oct. 20, 2006**

FI 19980240 * 12/1997
GB 2437277 A * 10/2007
WO WO 9408855 A1 * 4/1994

(30) **Foreign Application Priority Data**

Apr. 21, 2006 (FI) M20060093

* cited by examiner

(51) **LOC (8) Cl.** **09-03**

Primary Examiner—T. Chase Nelson

(52) **U.S. Cl.** **D9/433**

Assistant Examiner—Karen Acker

(58) **Field of Classification Search** D9/430–433,
D9/414, 417, 420–423, 759; 206/45.21,
206/45.29, 476, 525.1, 526, 750, 763, 774,
206/784; 229/100, 101, 103.3, 117, 117.01,
229/117.03–117.08, 120.02, 120.08, 120.13–120.18,
229/120.31, 120.37, 125.09, 125.15, 125.29,
229/126, 138, 155, 170, 221, 222, 247, 902,
229/904, 917, 933–937, 942

(74) *Attorney, Agent, or Firm*—Banner & Witcoff, Ltd.

See application file for complete search history.

(57) **CLAIM**

The ornamental design for a box, as shown and described.

(56) **References Cited**

DESCRIPTION

U.S. PATENT DOCUMENTS

1,442,067 A * 1/1923 Horr 206/45.21
1,448,864 A * 3/1923 Pinkerton 206/490
1,714,542 A * 5/1929 Bergstein 206/45.29
2,673,679 A * 3/1954 La Bombard 229/117.04
3,028,951 A * 4/1962 Okada 206/763
3,357,630 A * 12/1967 Michelitsch 229/148
D262,357 S * 12/1981 Kohler D9/433
D285,660 S * 9/1986 Cronsioe D9/420
5,117,973 A * 6/1992 Lo Duca 206/45.29
D372,670 S * 8/1996 Healey D9/422
D373,723 S * 9/1996 Healey D9/759
D380,379 S * 7/1997 Lindblom et al. D9/761
5,881,948 A * 3/1999 Correll 229/123
D439,157 S * 3/2001 Tsuruishi et al. D9/759

FIG. 1 is a top plan view of the box showing my new design in a blank form;

FIG. 2 is a bottom plan view of FIG. 1;

FIG. 3 is a front, top and right perspective view of the box of FIG. 1 in an assembled and closed state;

FIG. 4 is a front top perspective view of FIG. 3;

FIG. 5 is a front, bottom and left perspective view of FIG. 3;

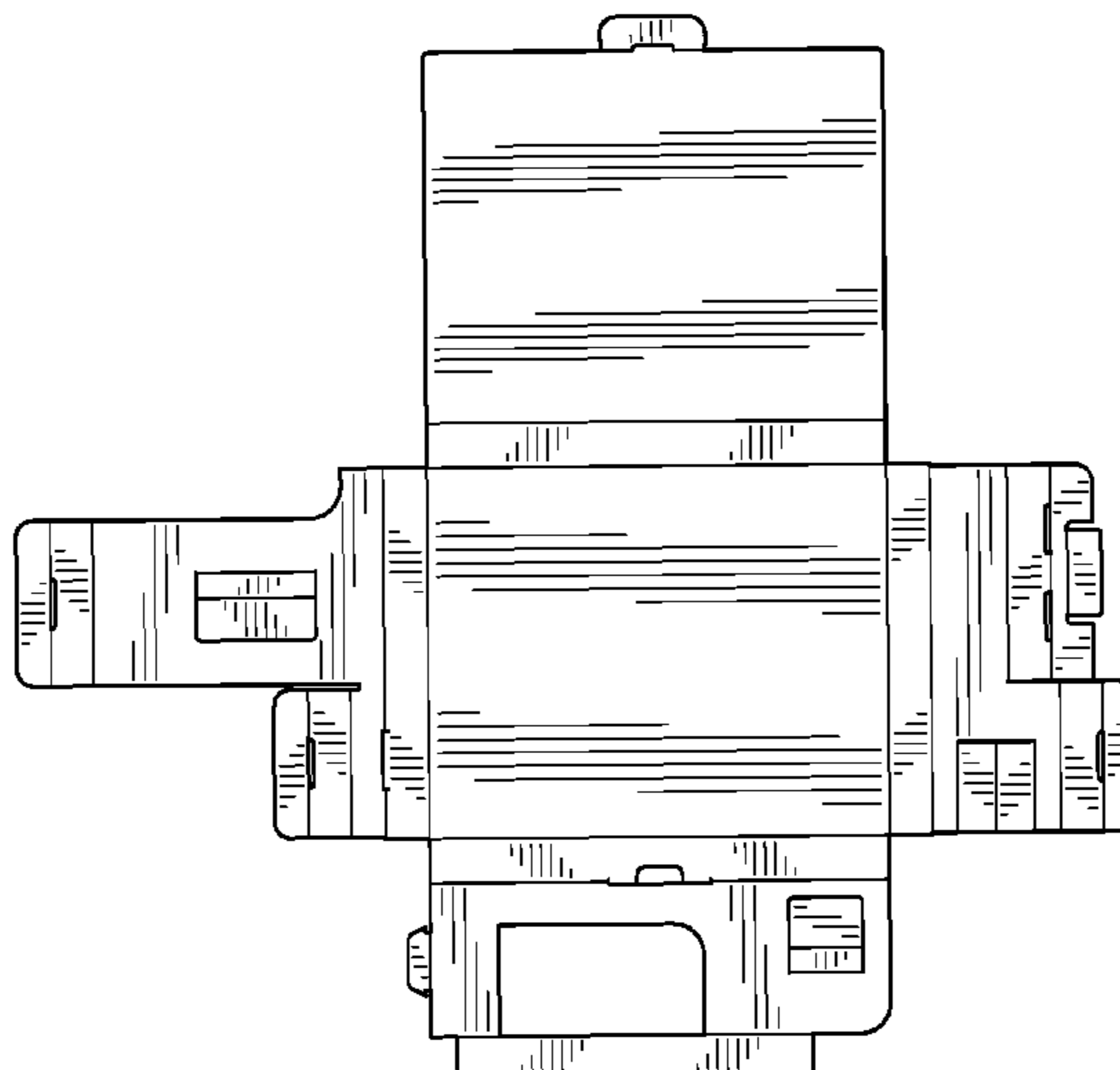
FIG. 6 is a top view of the box of FIG. 1 in an assembled and first open state;

FIG. 7 is a front, top and right perspective view of the box of FIG. 1 in an assembled and second open state;

FIG. 8 is a front, top and right perspective view of the box of FIG. 1 in an assembled and third open state; and,

FIG. 9 is a rear, bottom and left perspective view of FIG. 6.

1 Claim, 7 Drawing Sheets



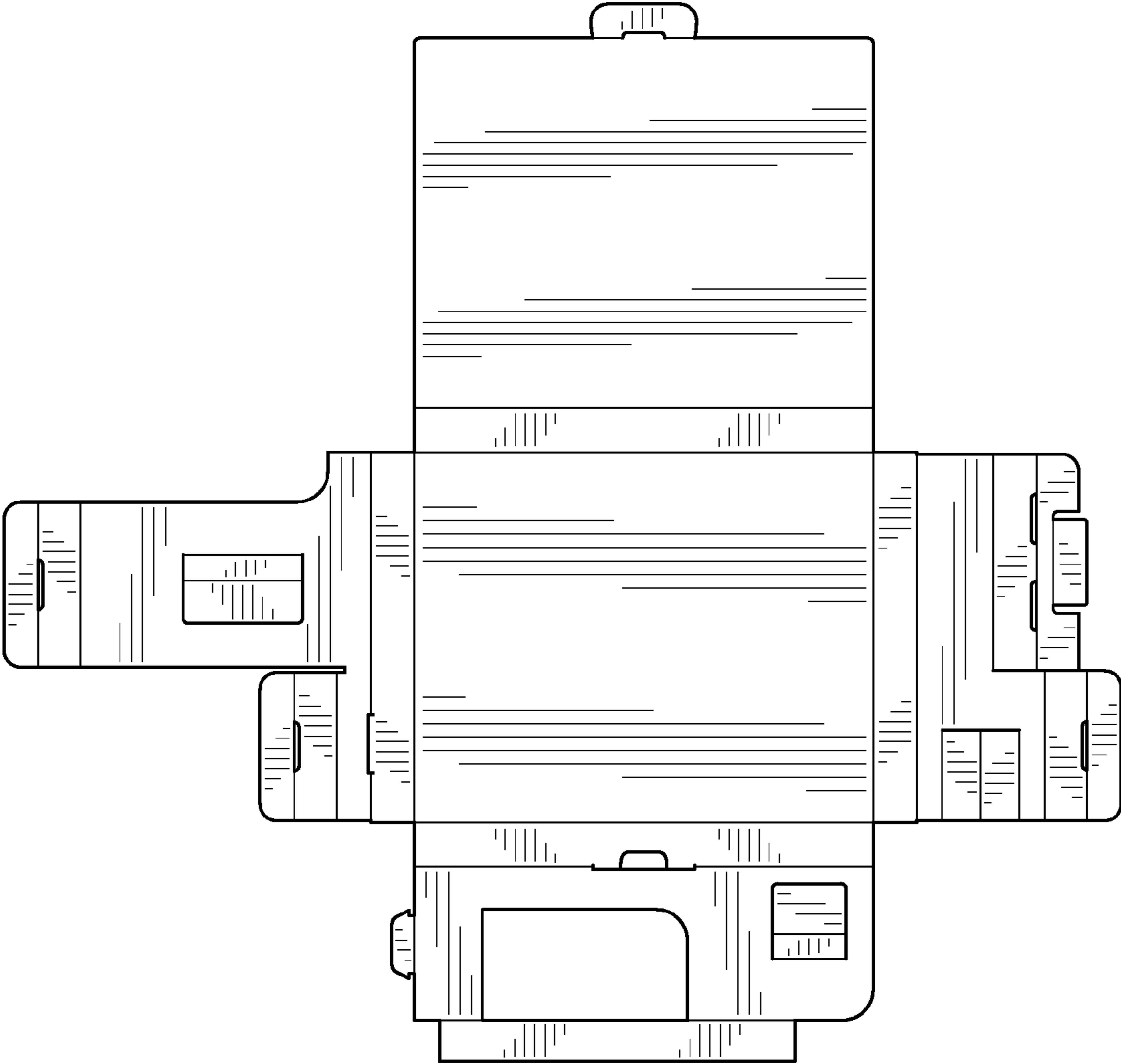


FIG. 1

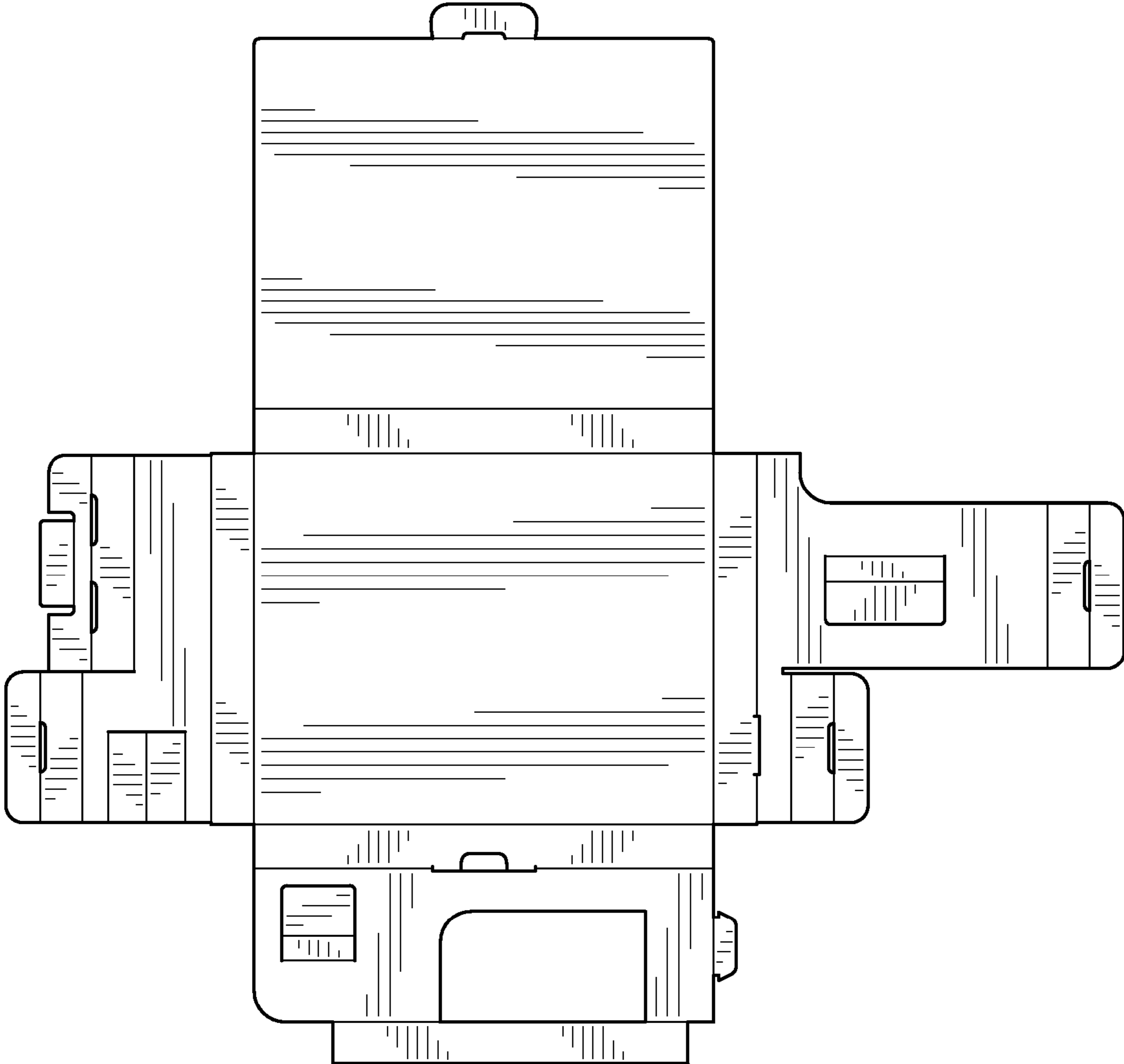


FIG. 2

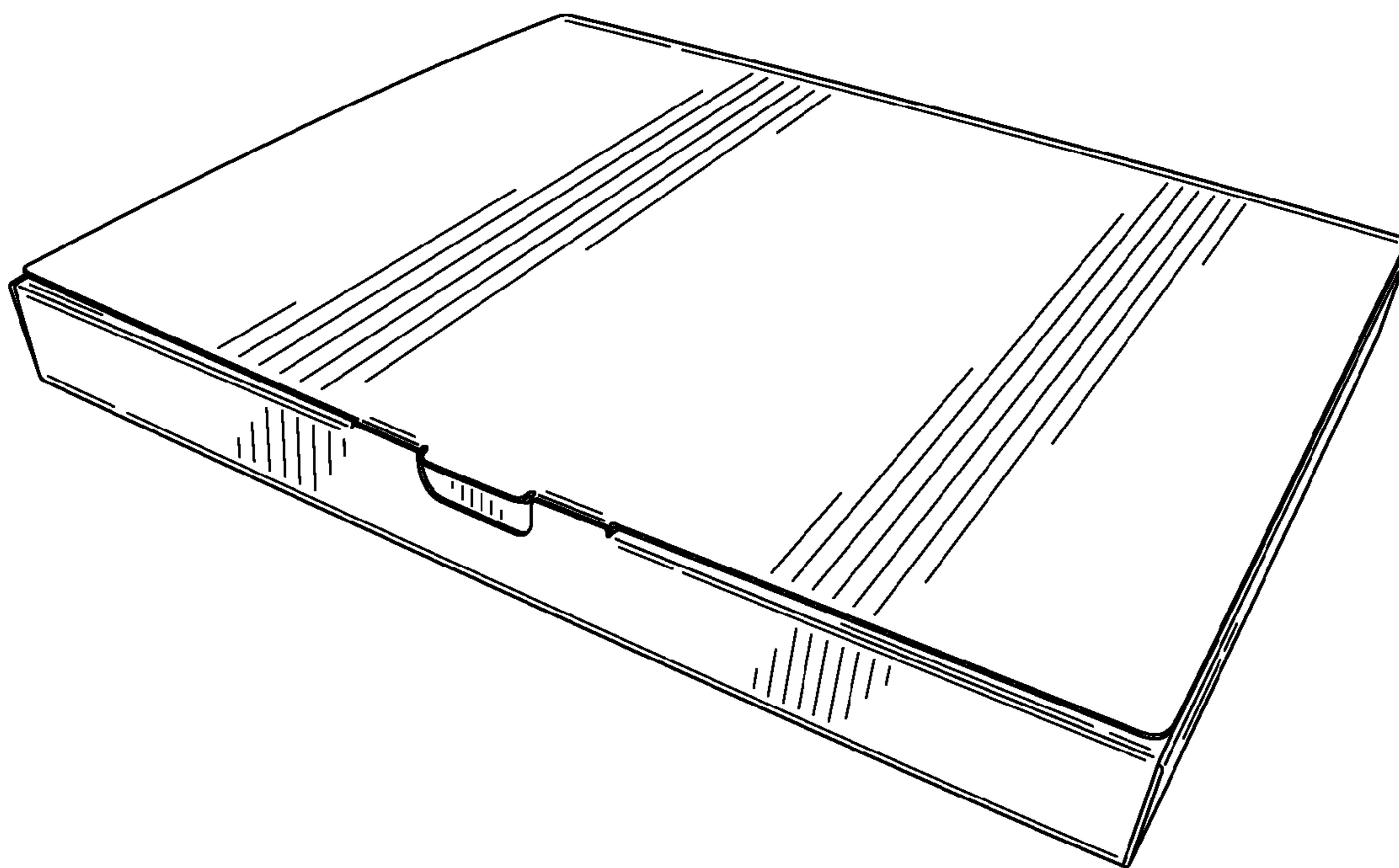


FIG. 3

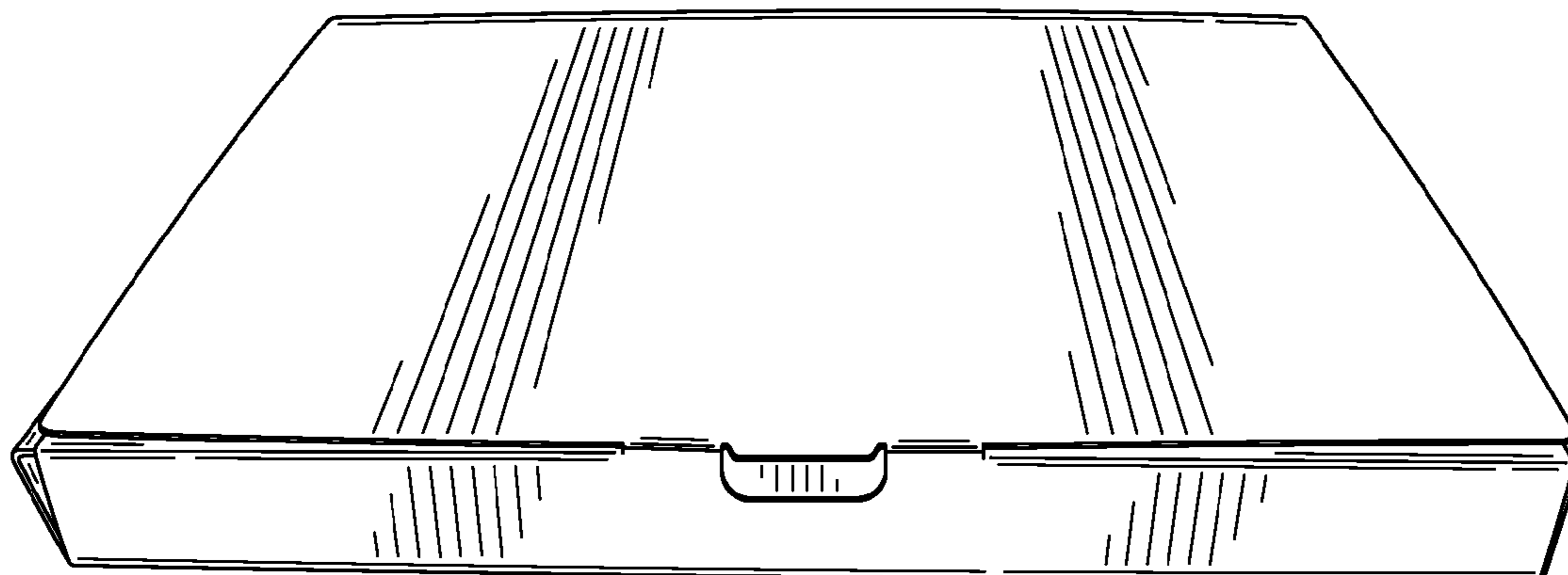


FIG. 4

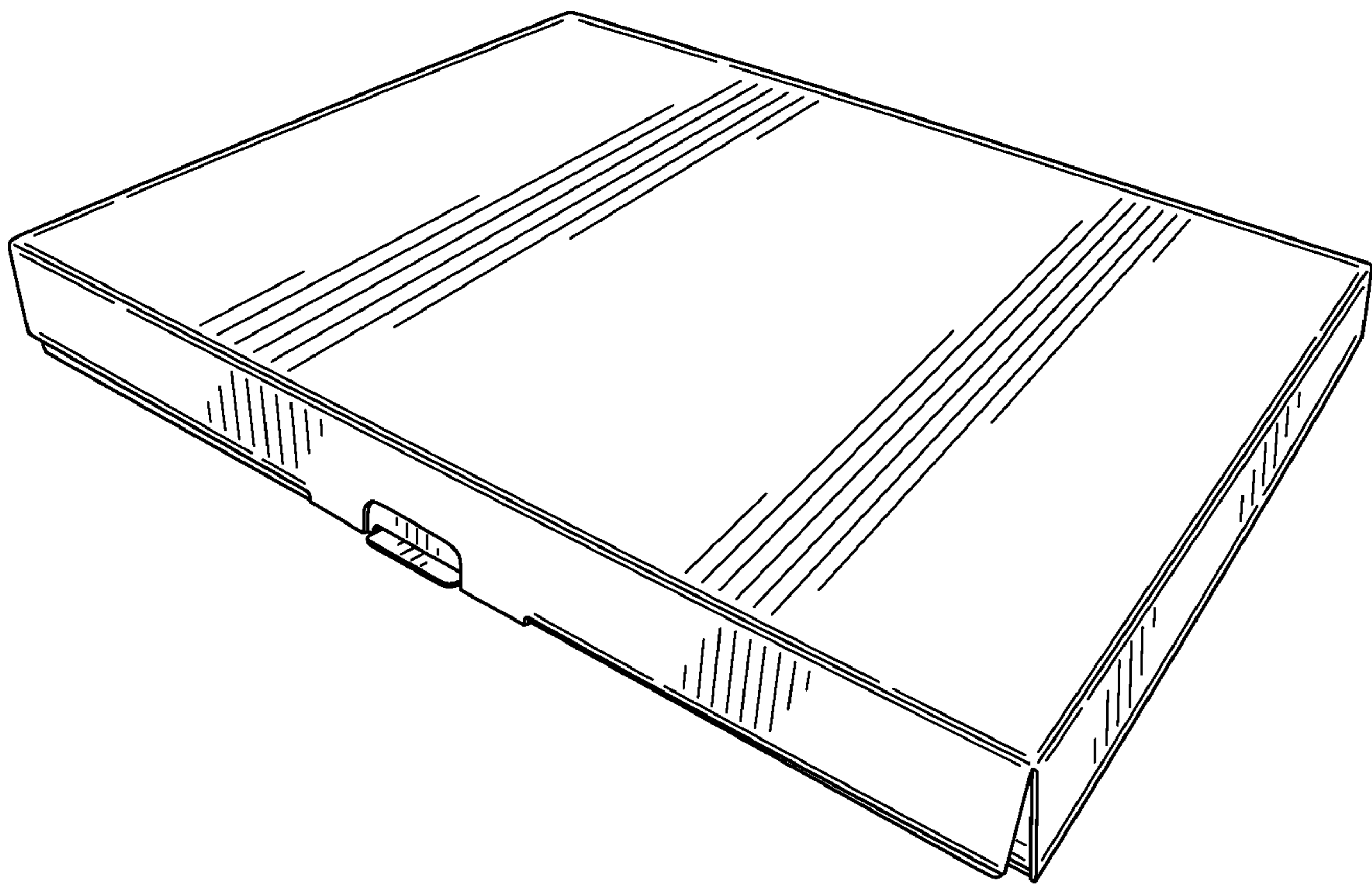


FIG. 5

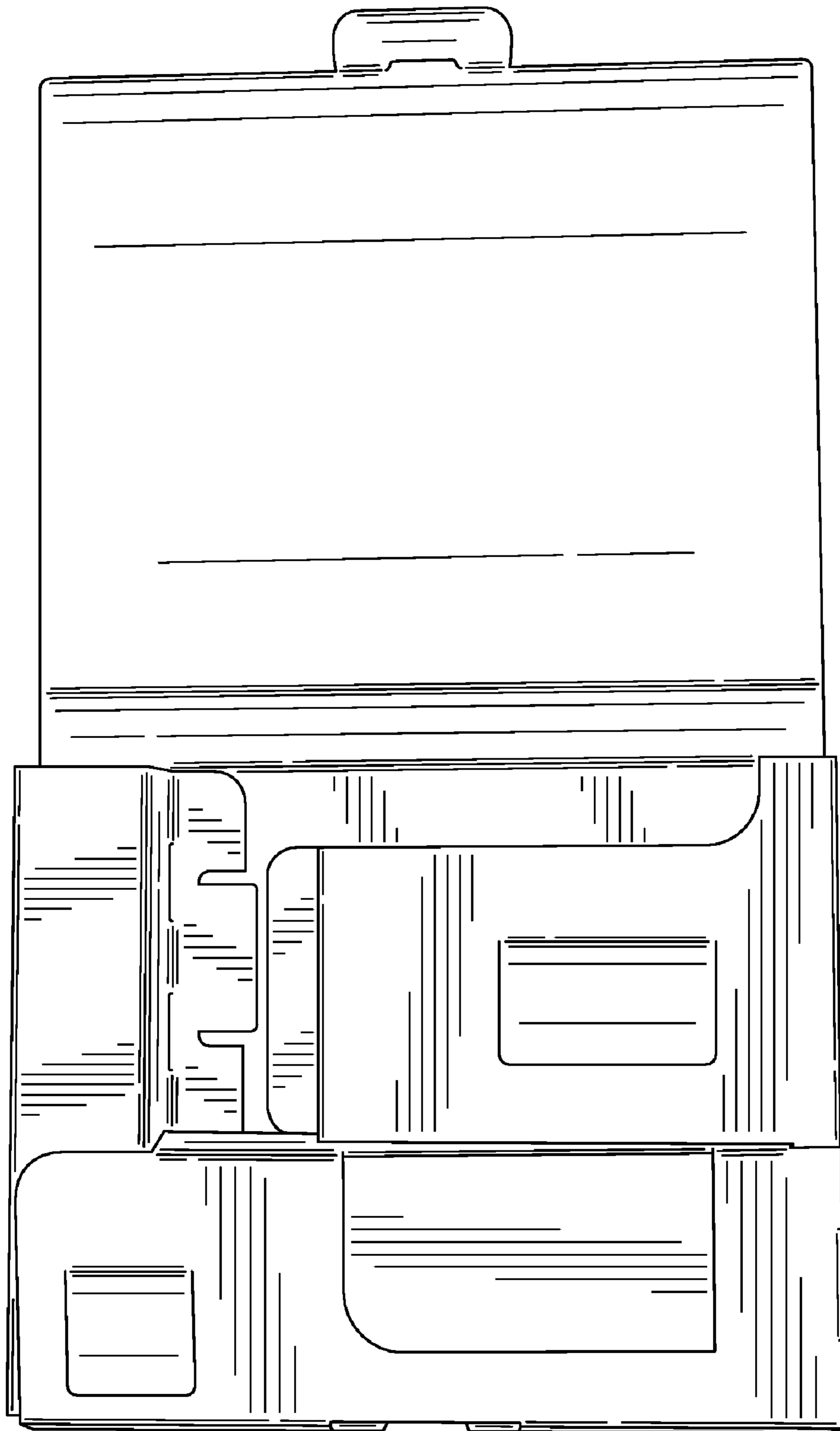


FIG. 6

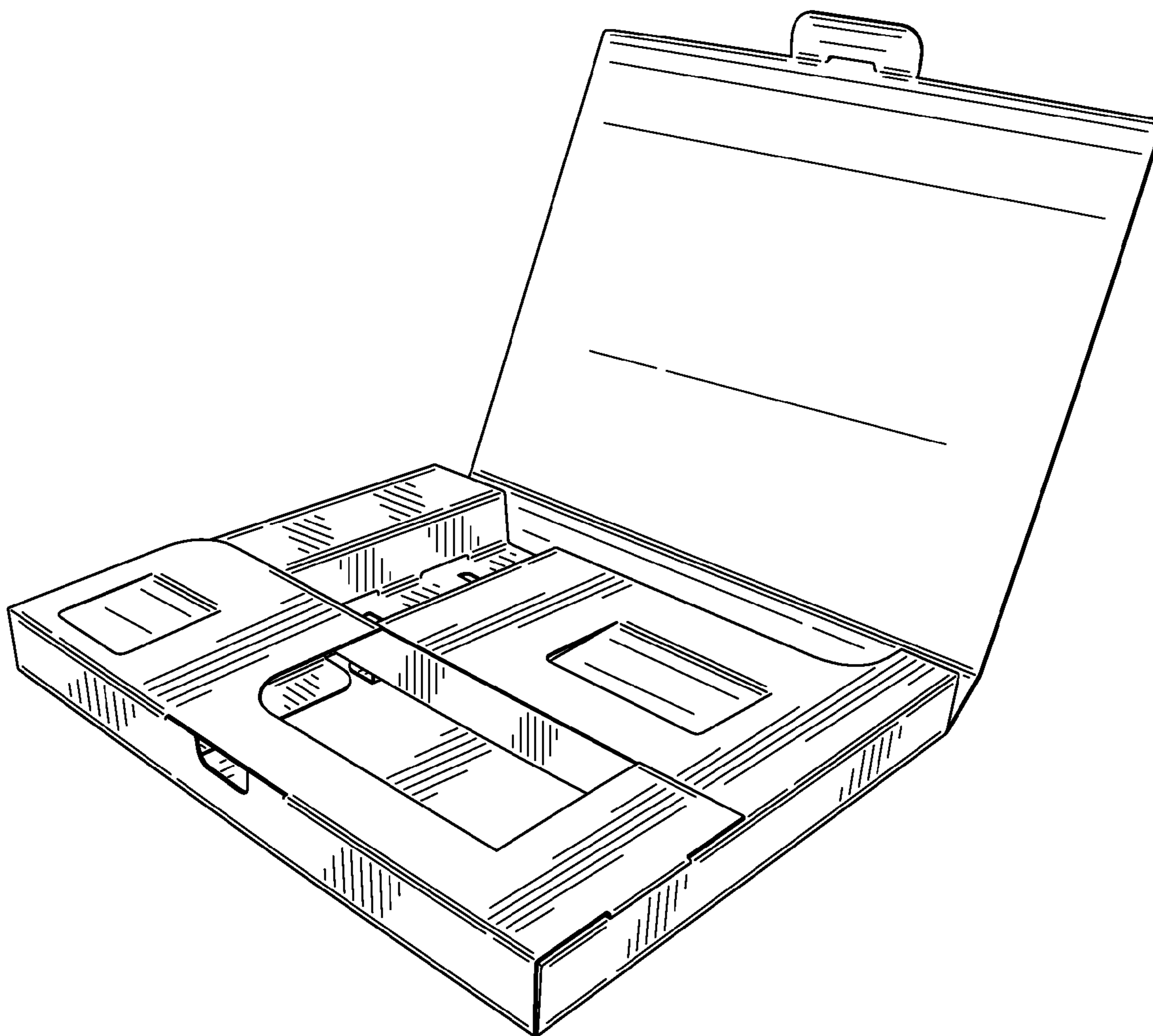


FIG. 7

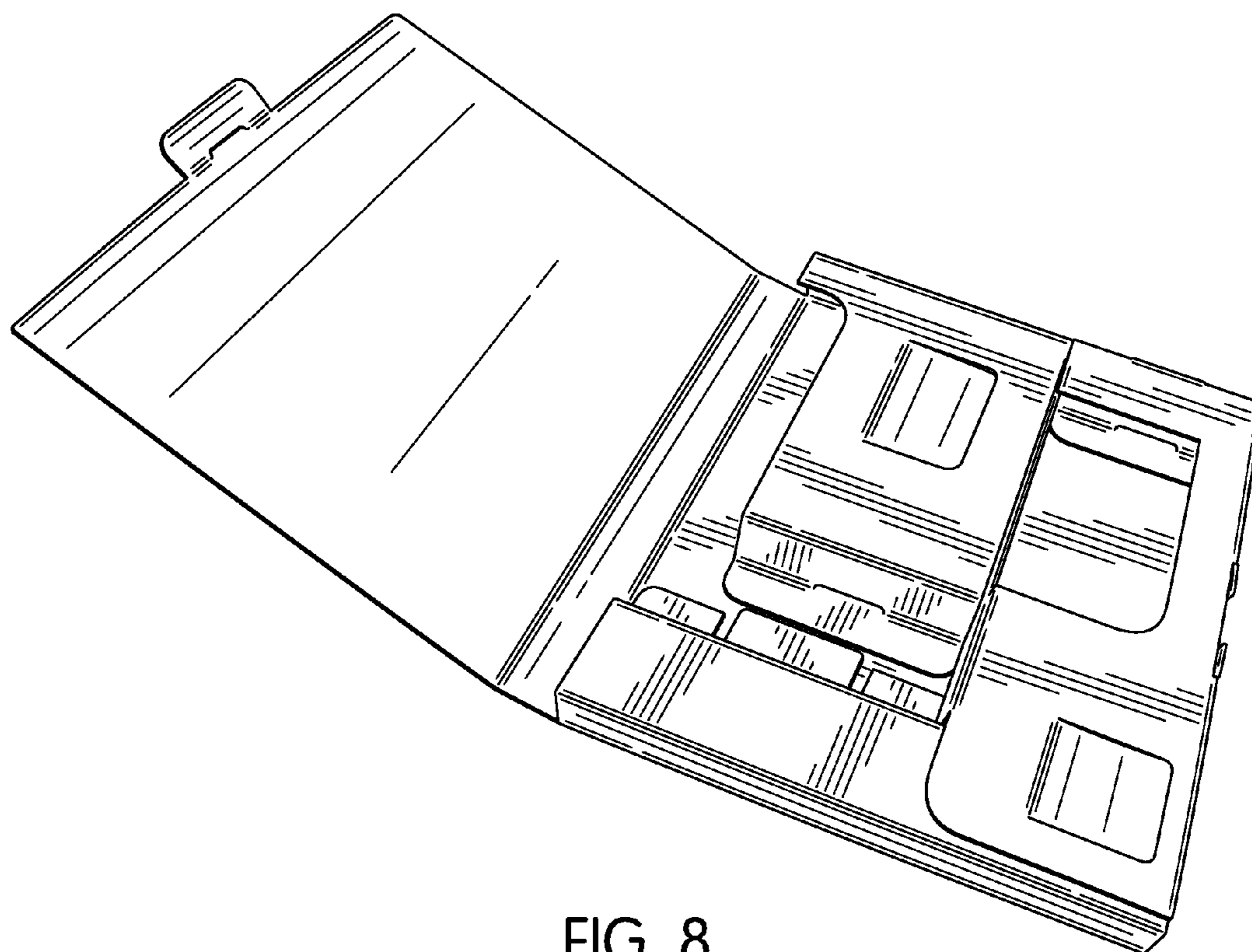


FIG. 8

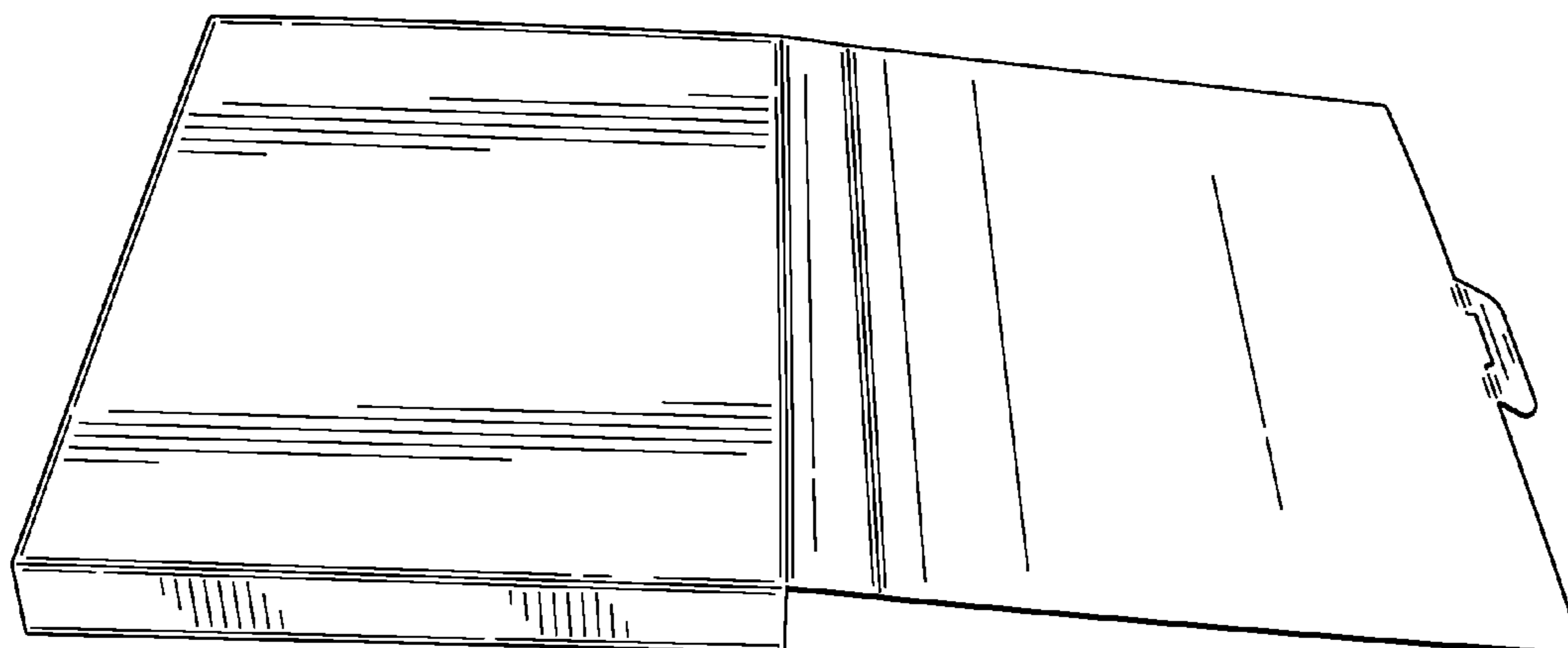


FIG. 9