



US00D583226S

(12) **United States Design Patent**
Vanhoutte

(10) **Patent No.:** **US D583,226 S**

(45) **Date of Patent:** **** Dec. 23, 2008**

(54) **PACKAGING BOX**

(76) Inventor: **Guy Vanhoutte**, Hazenveld 7,
Oudenaken (BE) 1600

(**) Term: **14 Years**

(21) Appl. No.: **29/286,253**

(22) Filed: **Apr. 27, 2007**

(51) **LOC (8) Cl.** **09-03**

(52) **U.S. Cl.** **D9/420**

(58) **Field of Classification Search** D9/414,
D9/418, 420, 423, 424, 426, 430-433; D4/199;
D23/420; 206/45.25; 229/108, 108.1, 111,
229/114, 115

See application file for complete search history.

(56) **References Cited**

U.S. PATENT DOCUMENTS

D201,399 S *	6/1965	Shiffman	D9/420
D322,571 S *	12/1991	Groves	D9/433
D329,377 S *	9/1992	Cortelli et al.	D9/418
D334,886 S *	4/1993	Cortelli et al.	D9/418
D386,079 S *	11/1997	Harper	D9/418
D425,415 S *	5/2000	Kumakura et al.	D9/415
D461,124 S *	8/2002	Ma	D9/432
D469,692 S *	2/2003	Meeker et al.	D9/432
D507,484 S *	7/2005	Kumakura et al.	D9/430
D509,728 S *	9/2005	Kato	D9/415

D518,370 S *	4/2006	Vanhoutte	D9/430
D558,572 S *	1/2008	Andre et al.	D9/432

* cited by examiner

Primary Examiner—Daniel D Bui

Assistant Examiner—Thomas J Johannes

(74) *Attorney, Agent, or Firm*—Wolf, Greenfield & Sacks,
P.C.

(57) **CLAIM**

The ornamental design for a packaging box, as shown and described.

DESCRIPTION

FIG. 1 is a front perspective view of a packaging box showing my design;

FIG. 2 is a front view thereof;

FIG. 3 is a rear view thereof;

FIG. 4 is a top view thereof;

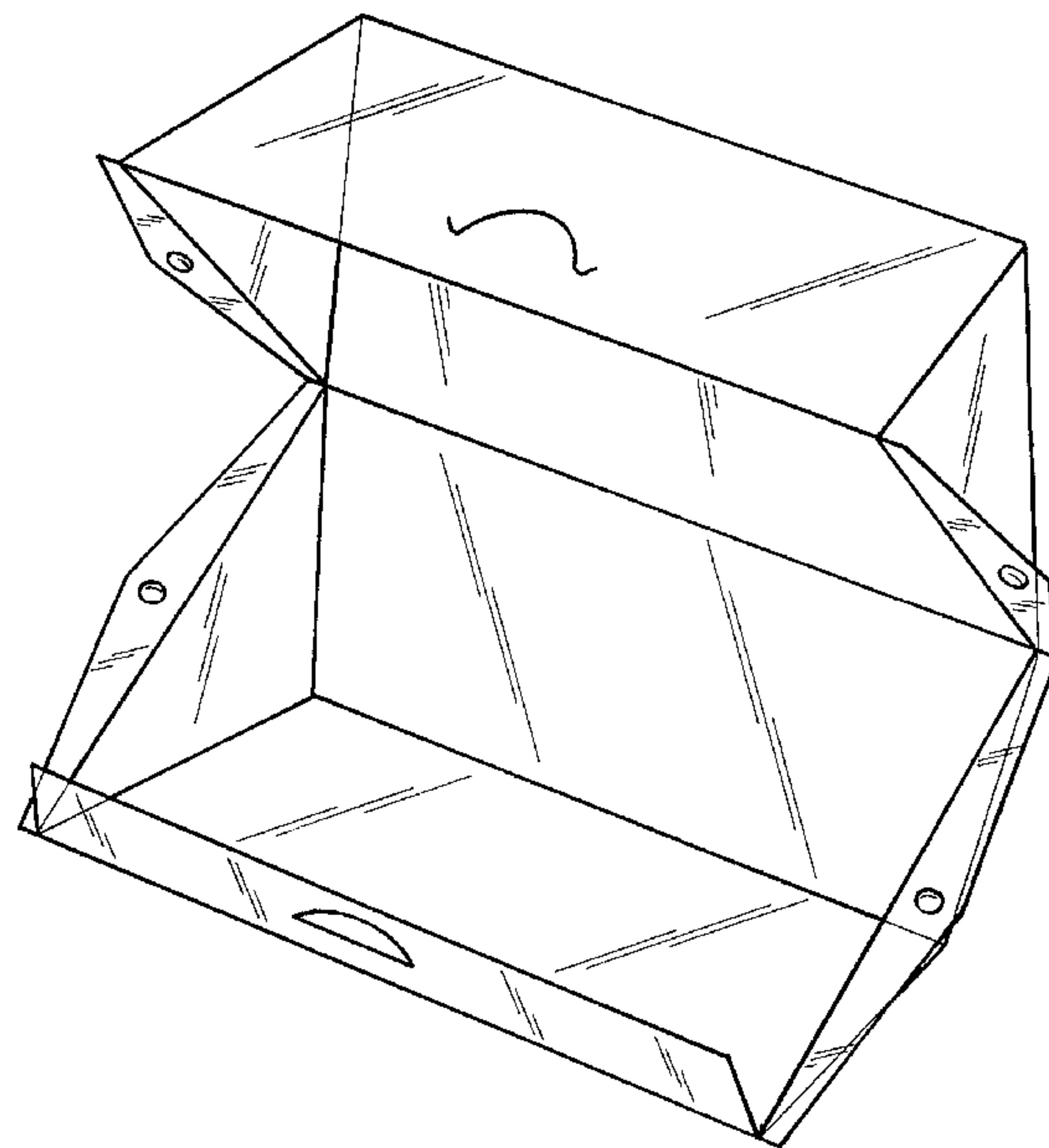
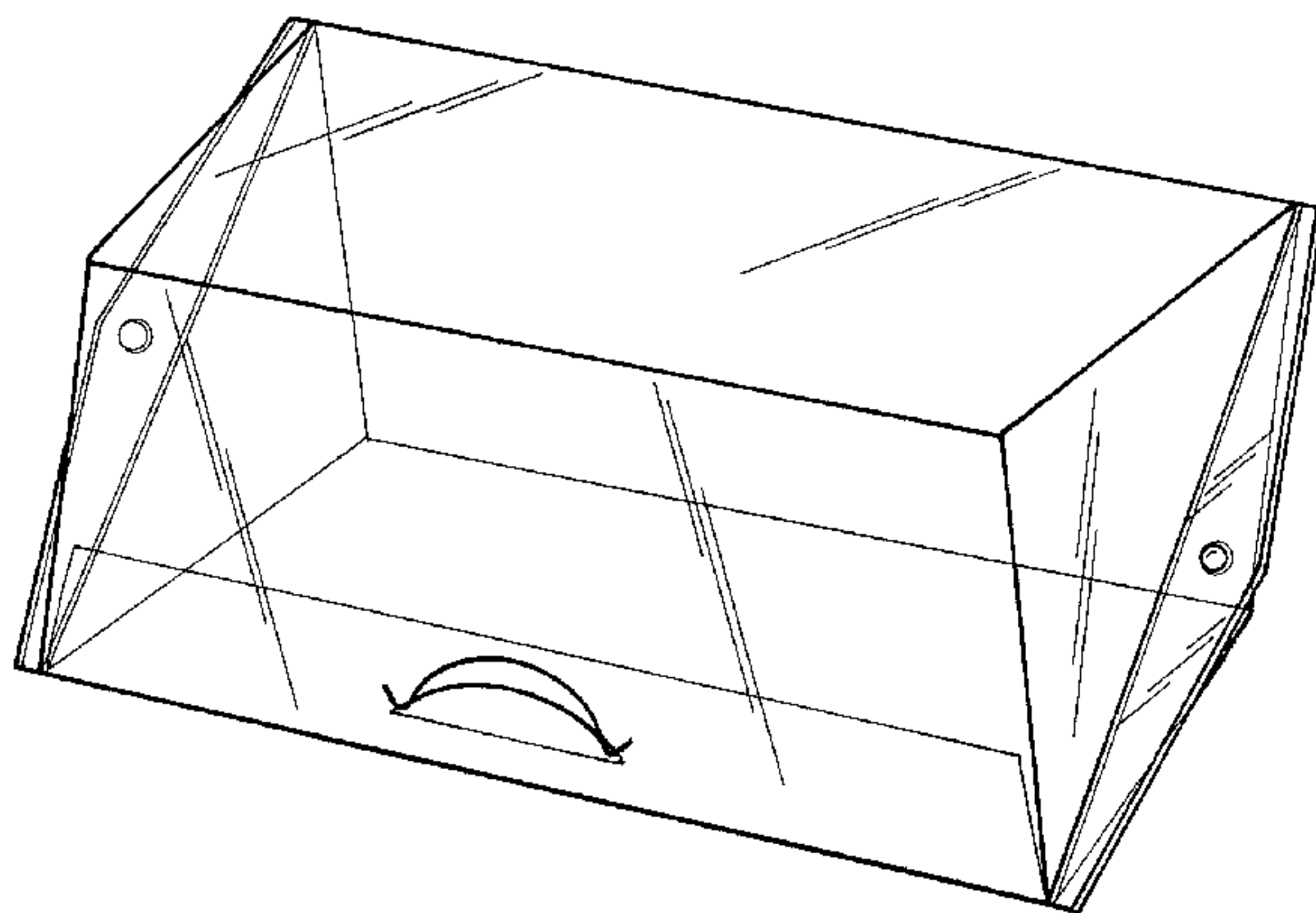
FIG. 5 is a bottom view thereof;

FIG. 6 is a side perspective view thereof;

FIG. 7 is the unfolded view of a packaging box showing my design; and,

FIG. 8 is the open view of a packaging box showing my design.

1 Claim, 5 Drawing Sheets



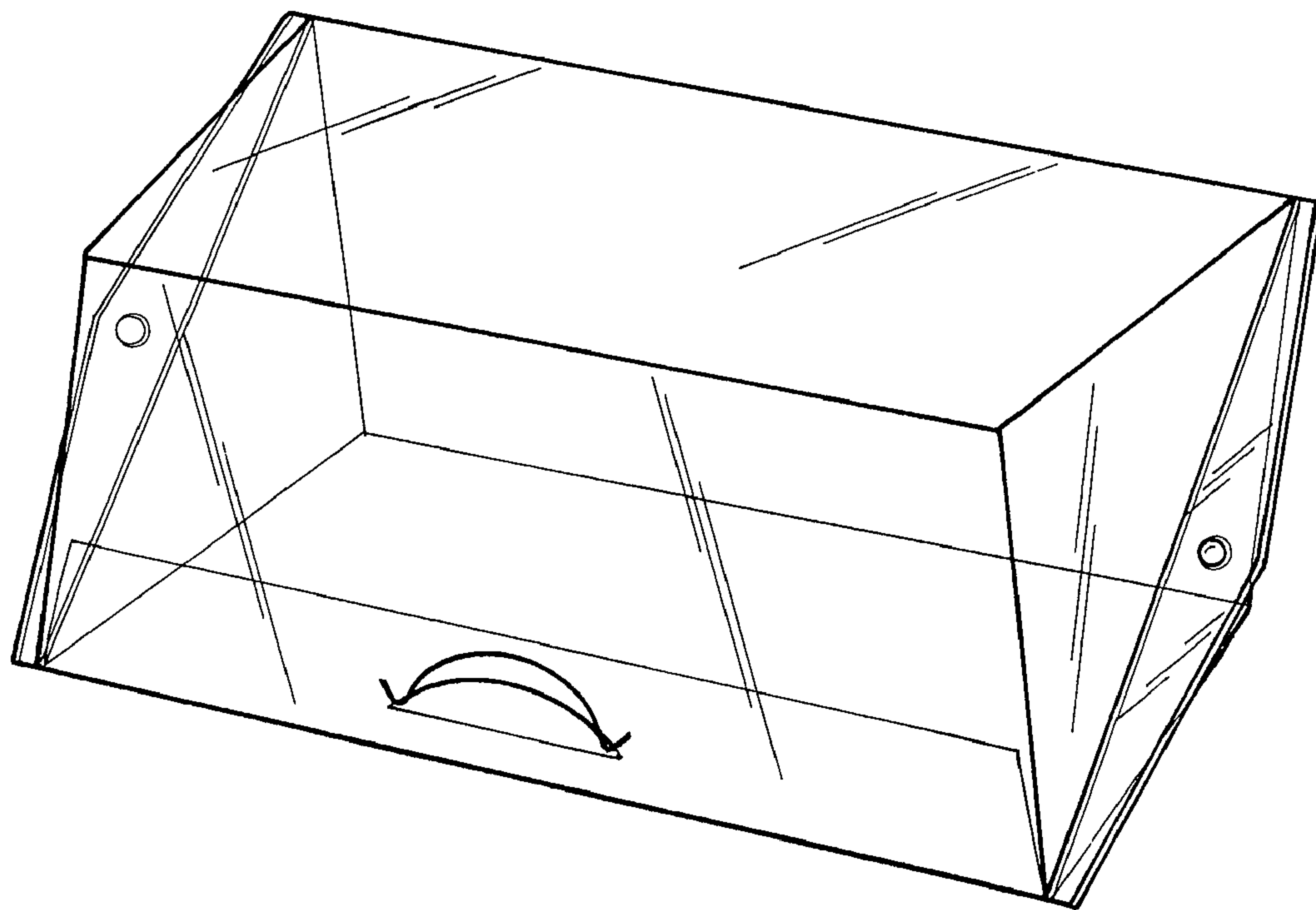


Fig. 1

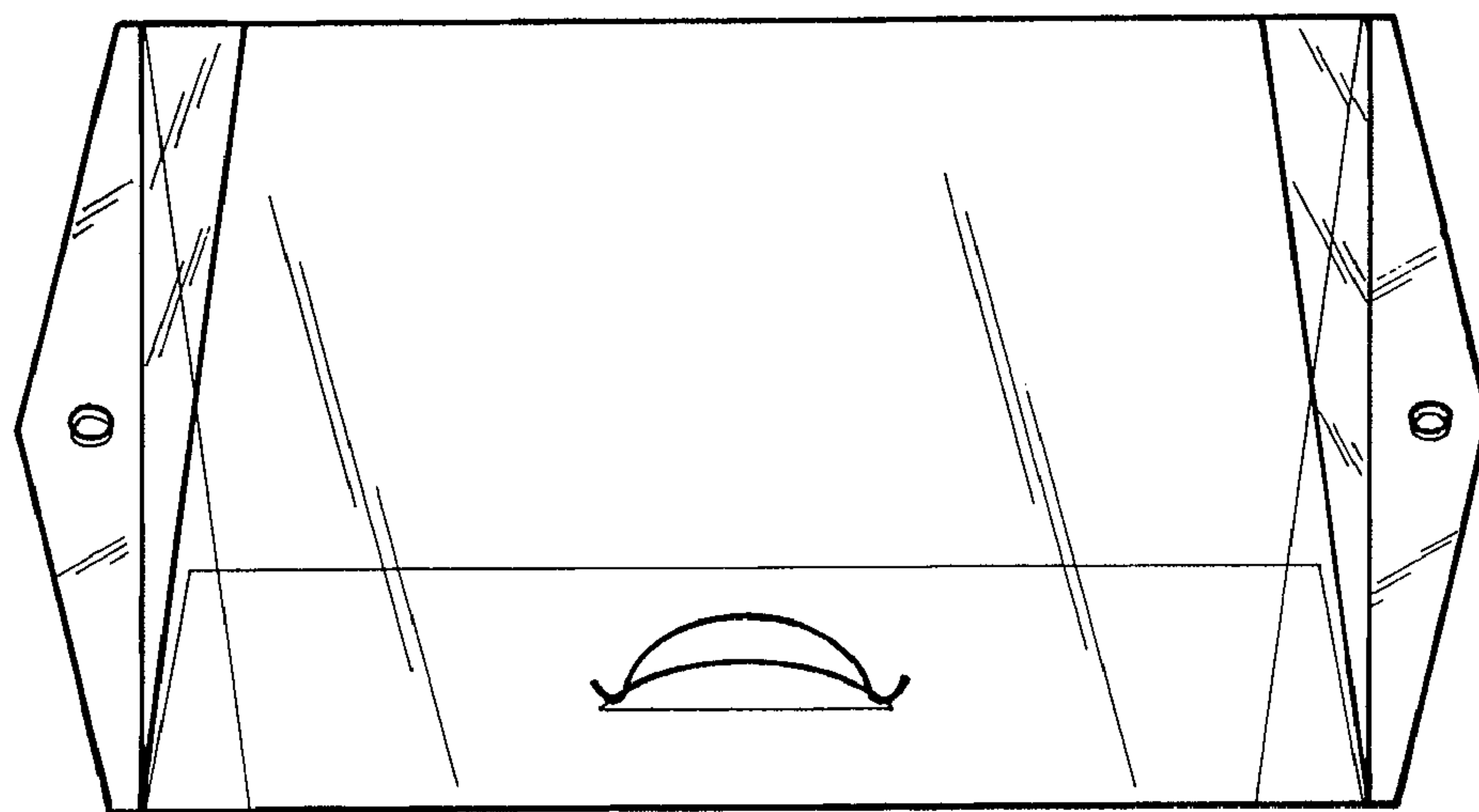


Fig. 2

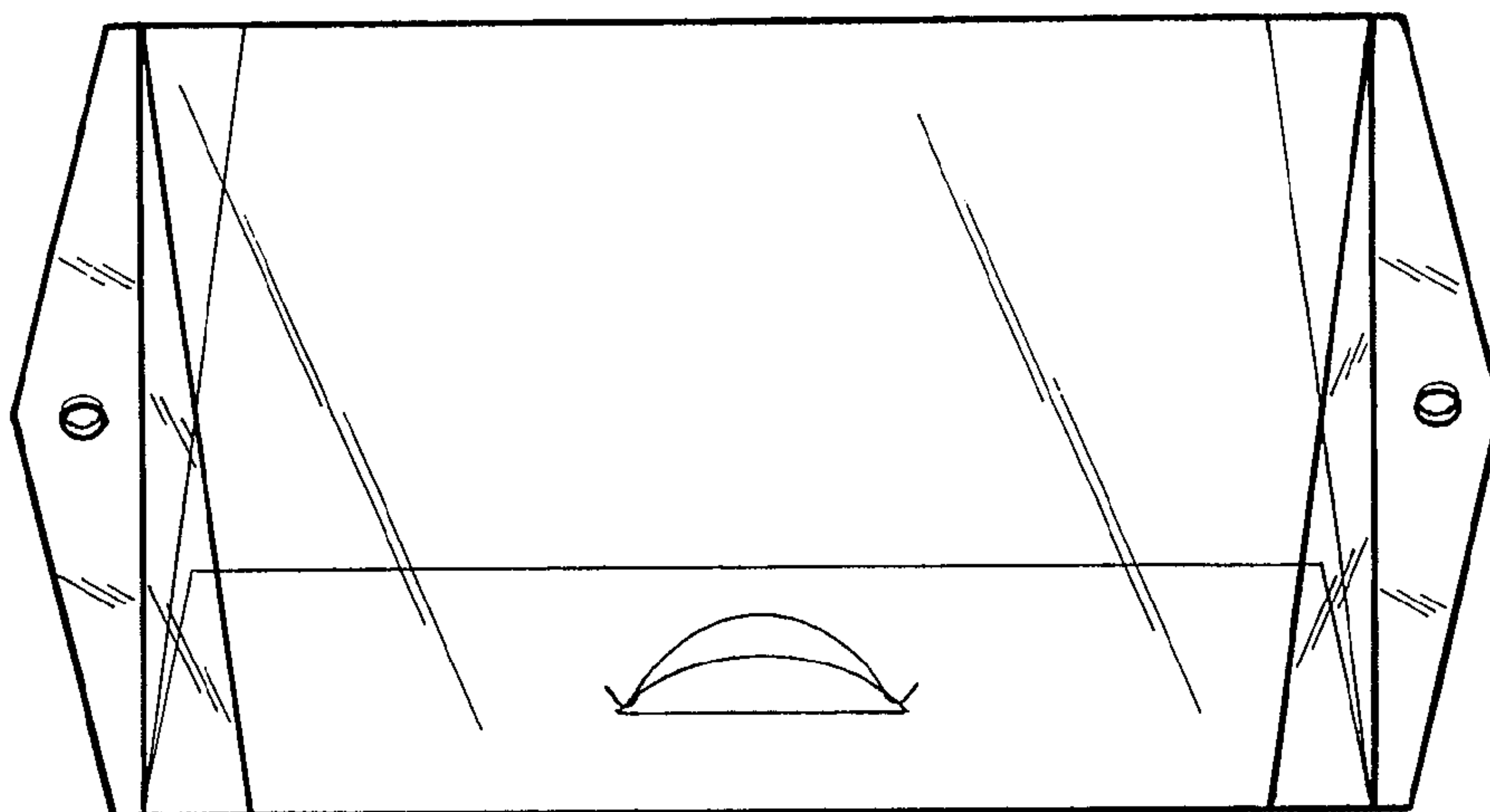


Fig. 3

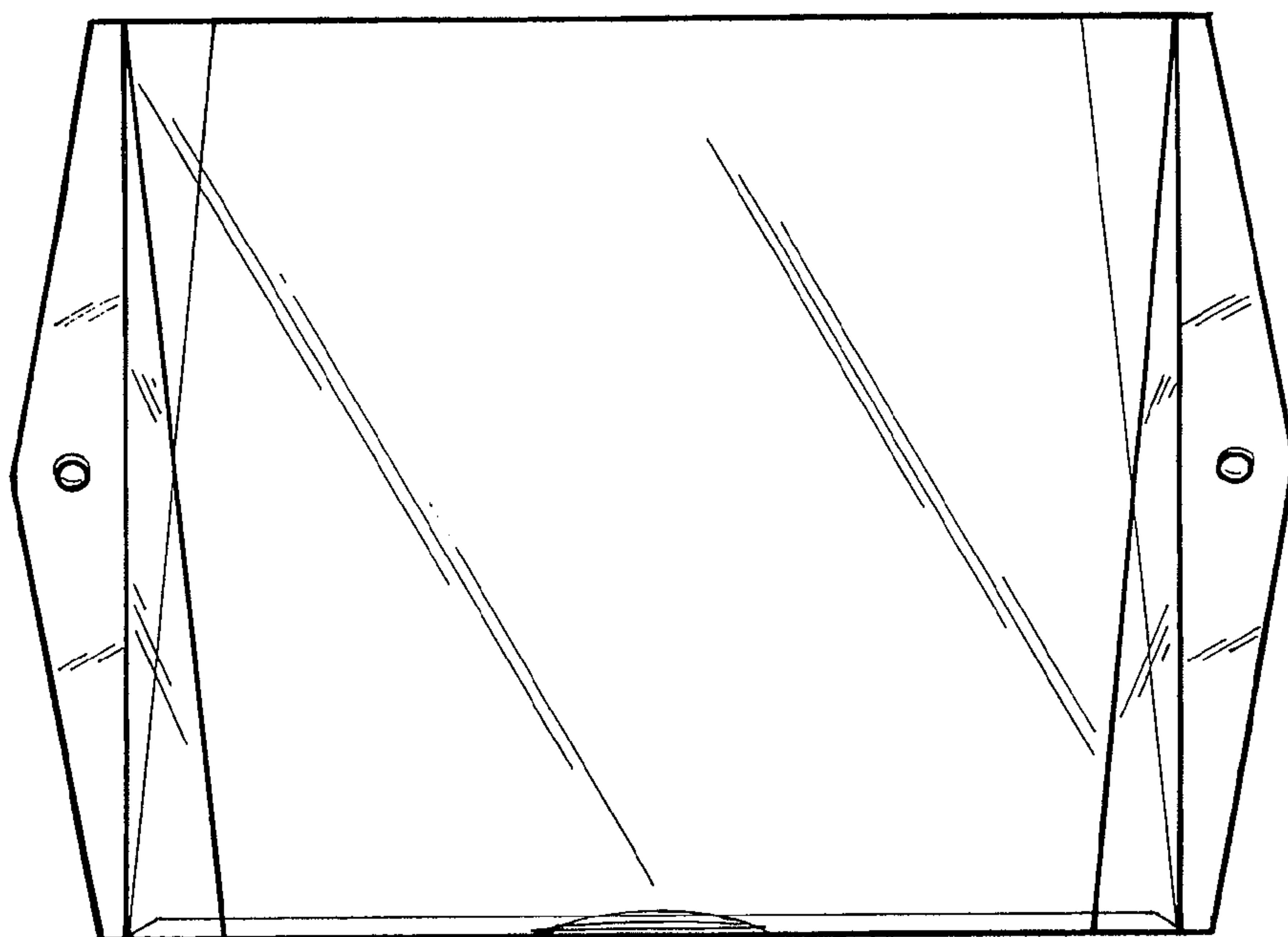


Fig. 4

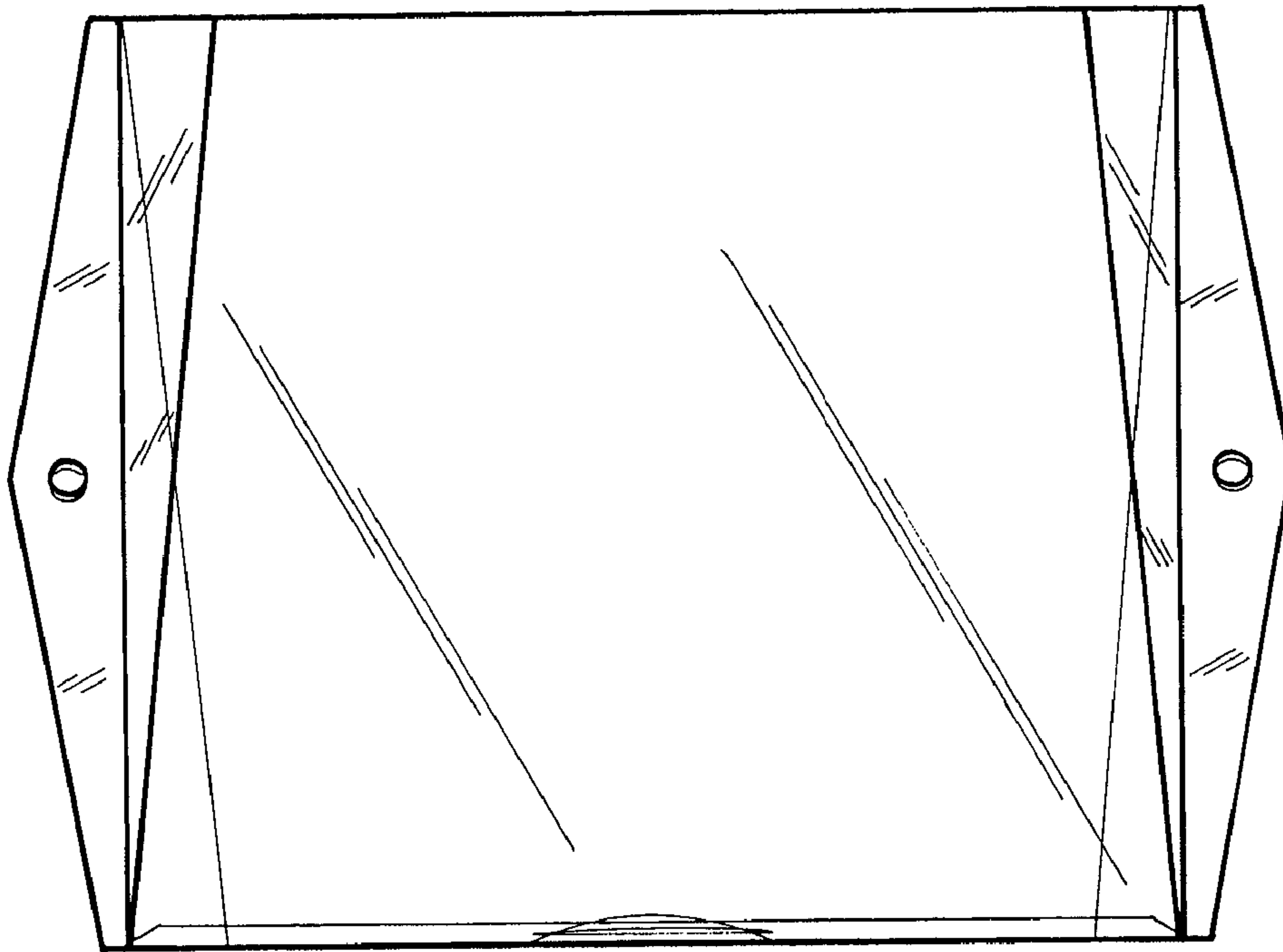


Fig. 5

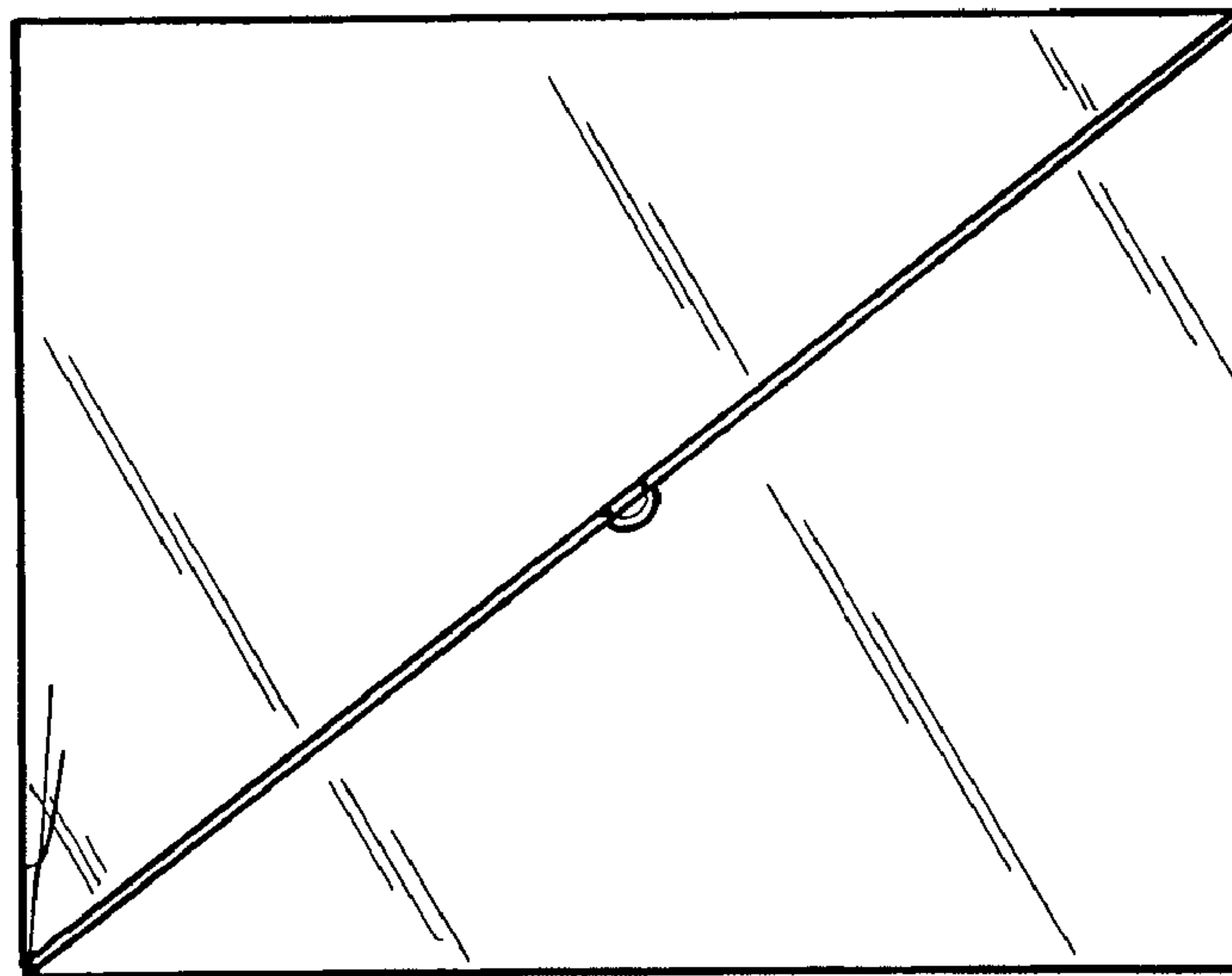


Fig. 6

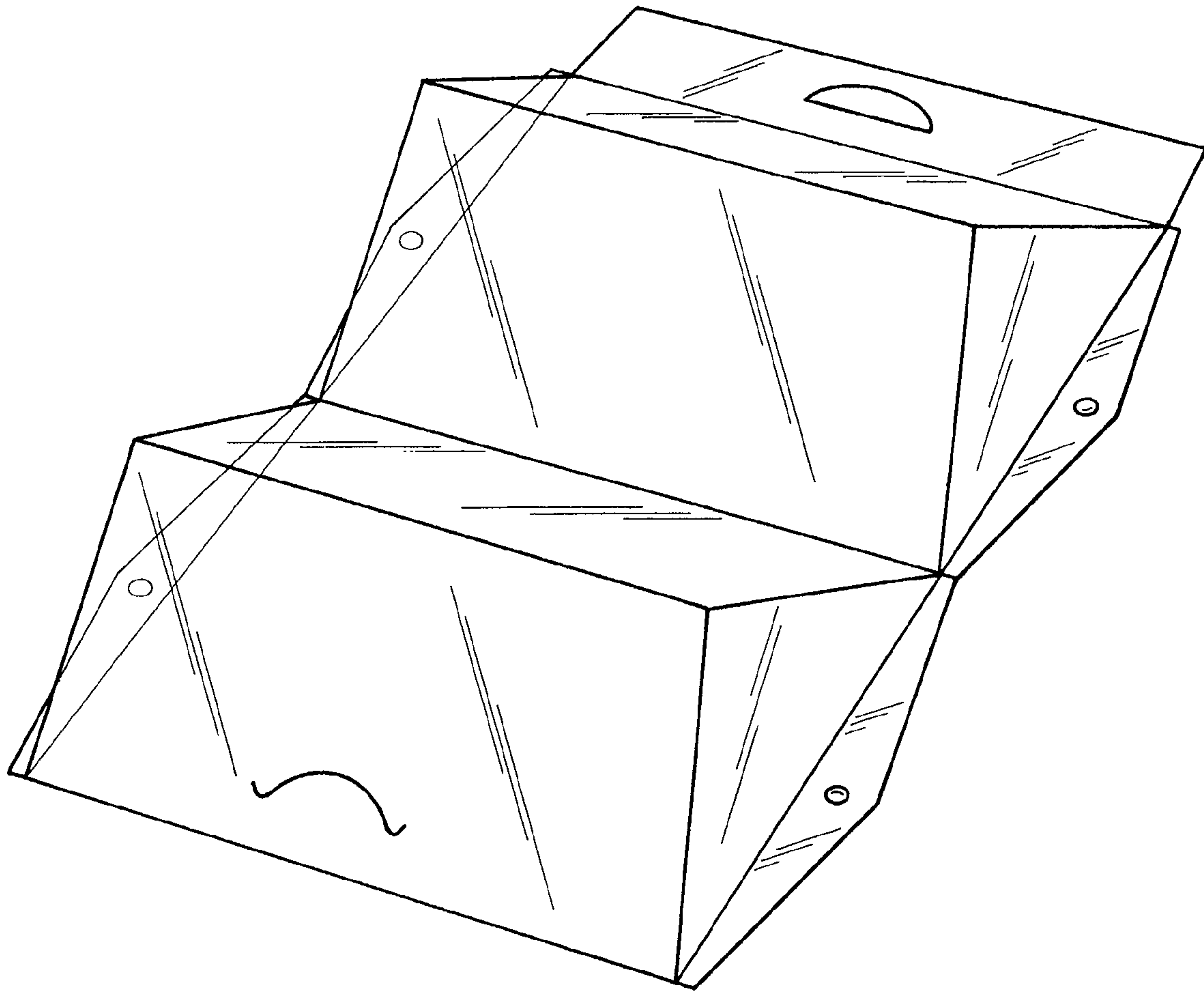


Fig. 7

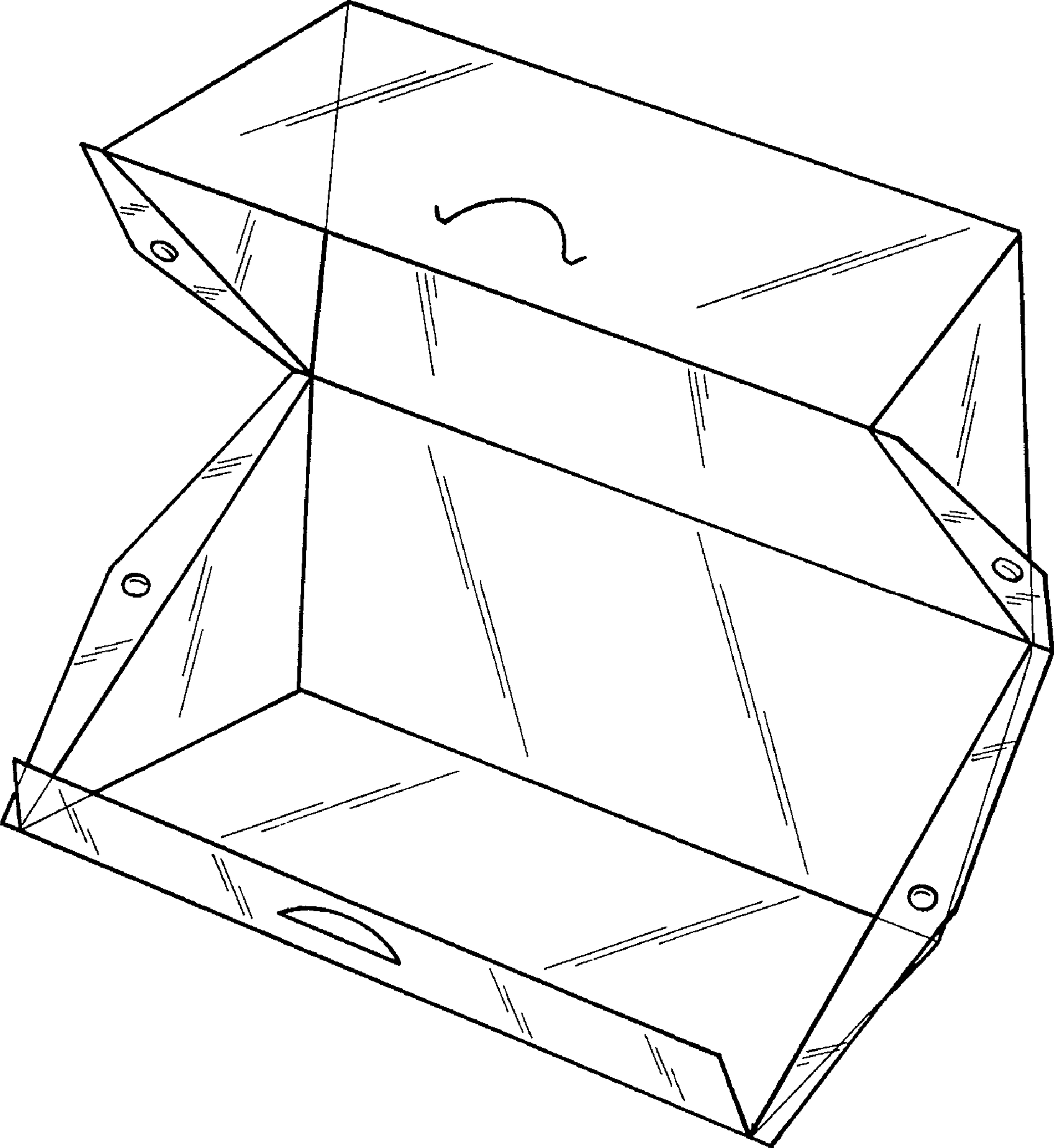


Fig. 8