



US00D583225S

(12) **United States Design Patent**
McNeill

(10) **Patent No.:** **US D583,225 S**

(45) **Date of Patent:** **** Dec. 23, 2008**

(54) **FENCE CLIP**

7,177,518 B2 * 2/2007 Chun 385/136

(76) Inventor: **Peter John McNeill**, 3 MacMaster
Parade, MacMasters Beach, New South
Wales (AU) 2251

* cited by examiner

Primary Examiner—Holly H Baynham
(74) *Attorney, Agent, or Firm*—King & Schickli, PLLC

(**) Term: **14 Years**

(21) Appl. No.: **29/235,060**

(22) Filed: **Jul. 27, 2005**

(57) **CLAIM**

The ornamental design of a fence clip, as shown and
described.

(30) **Foreign Application Priority Data**

Jan. 28, 2005 (AU) 10302/2005

DESCRIPTION

(51) **LOC (8) Cl.** **08-08**

FIG. 1 is a right side perspective view of the fence clip of the
present invention;

(52) **U.S. Cl.** **D8/394**

FIG. 2 is a left side perspective view thereof;

(58) **Field of Classification Search** D8/394;

FIG. 3 is a front elevational view thereof;

D25/135; 256/65.02–65.05, 65.08

FIG. 4 is a rear elevational view thereof;

See application file for complete search history.

FIG. 5 is a bottom plan view thereof; and,

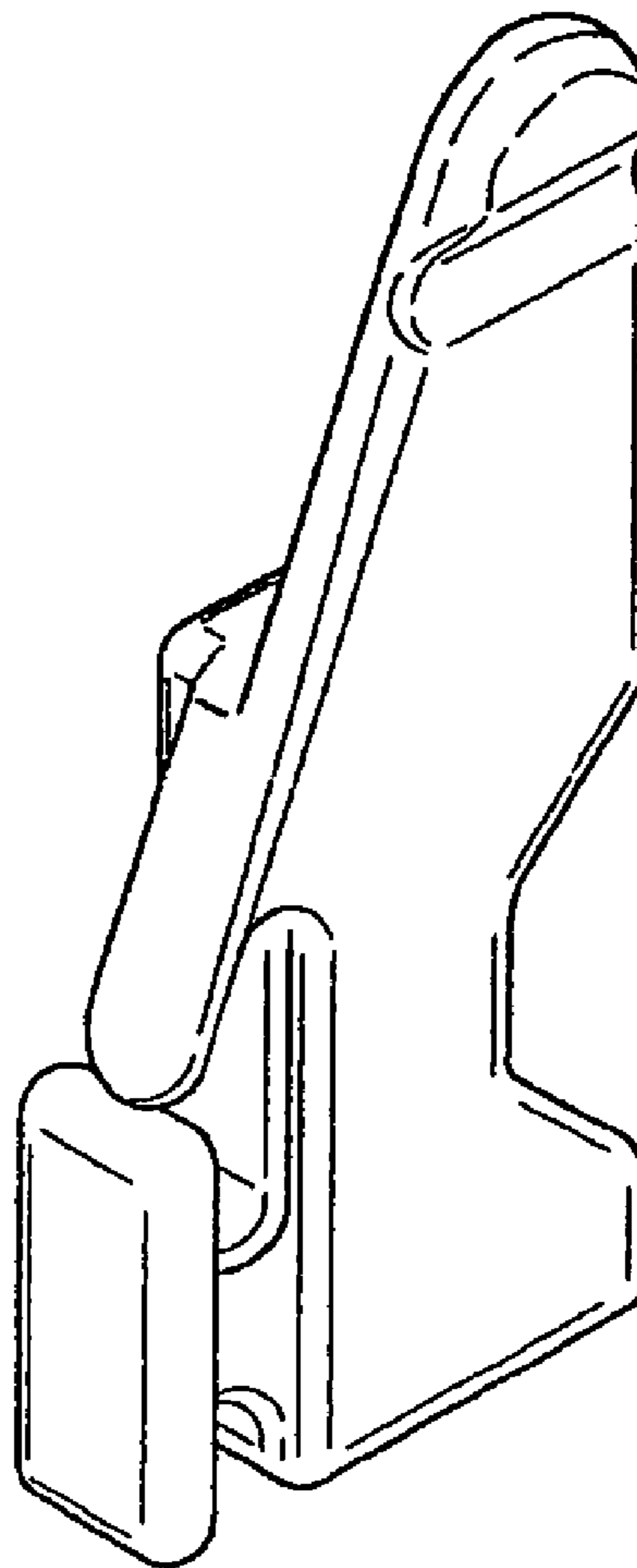
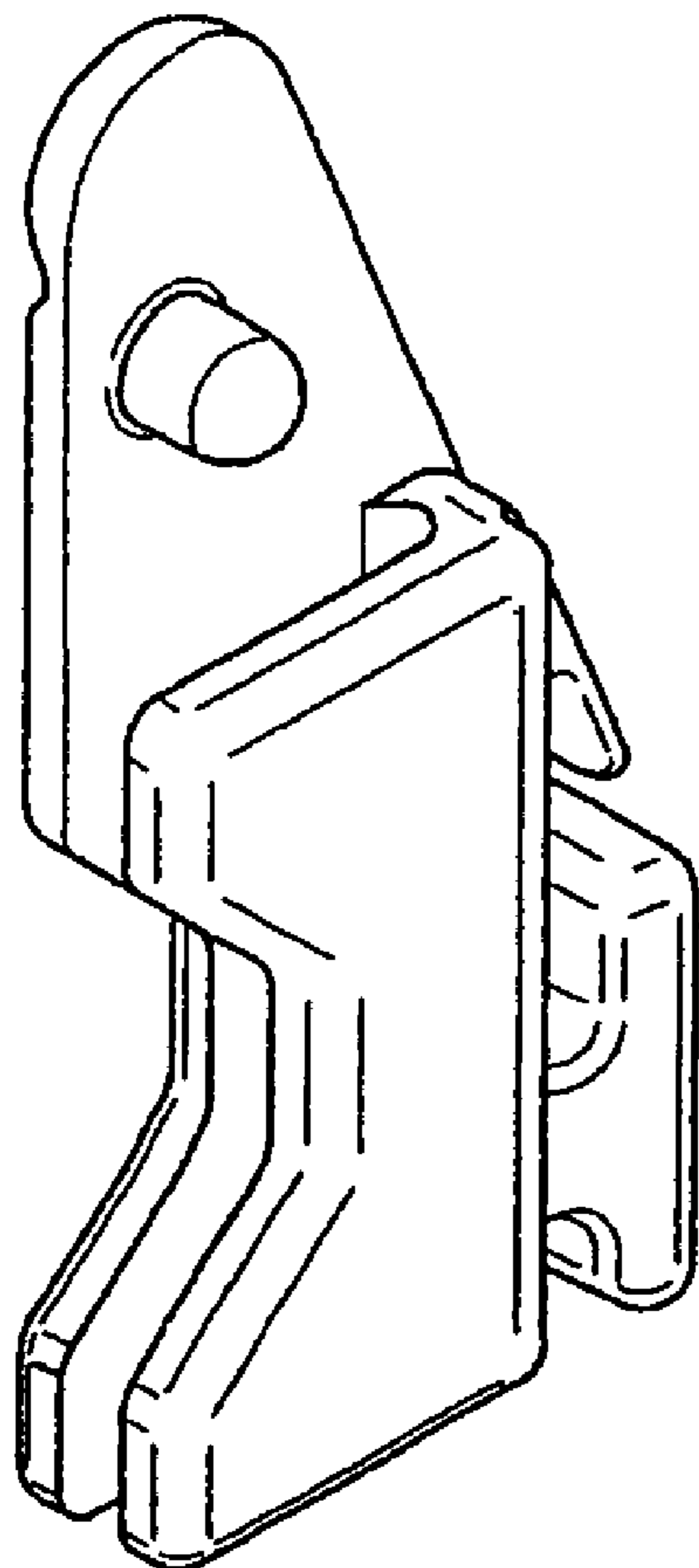
FIG. 6 is a top plan view thereof.

(56) **References Cited**

U.S. PATENT DOCUMENTS

D333,423 S * 2/1993 Sigle D8/394

1 Claim, 3 Drawing Sheets



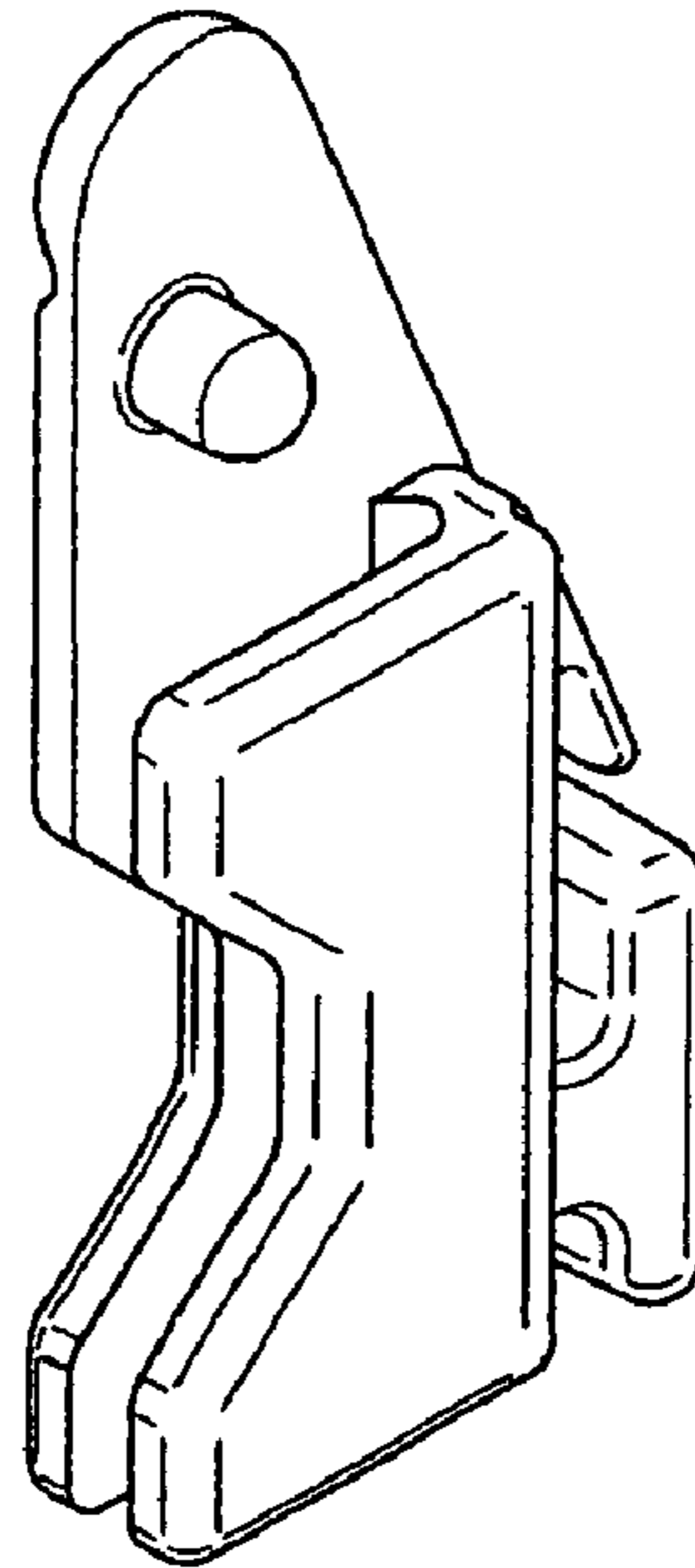


FIG. 1

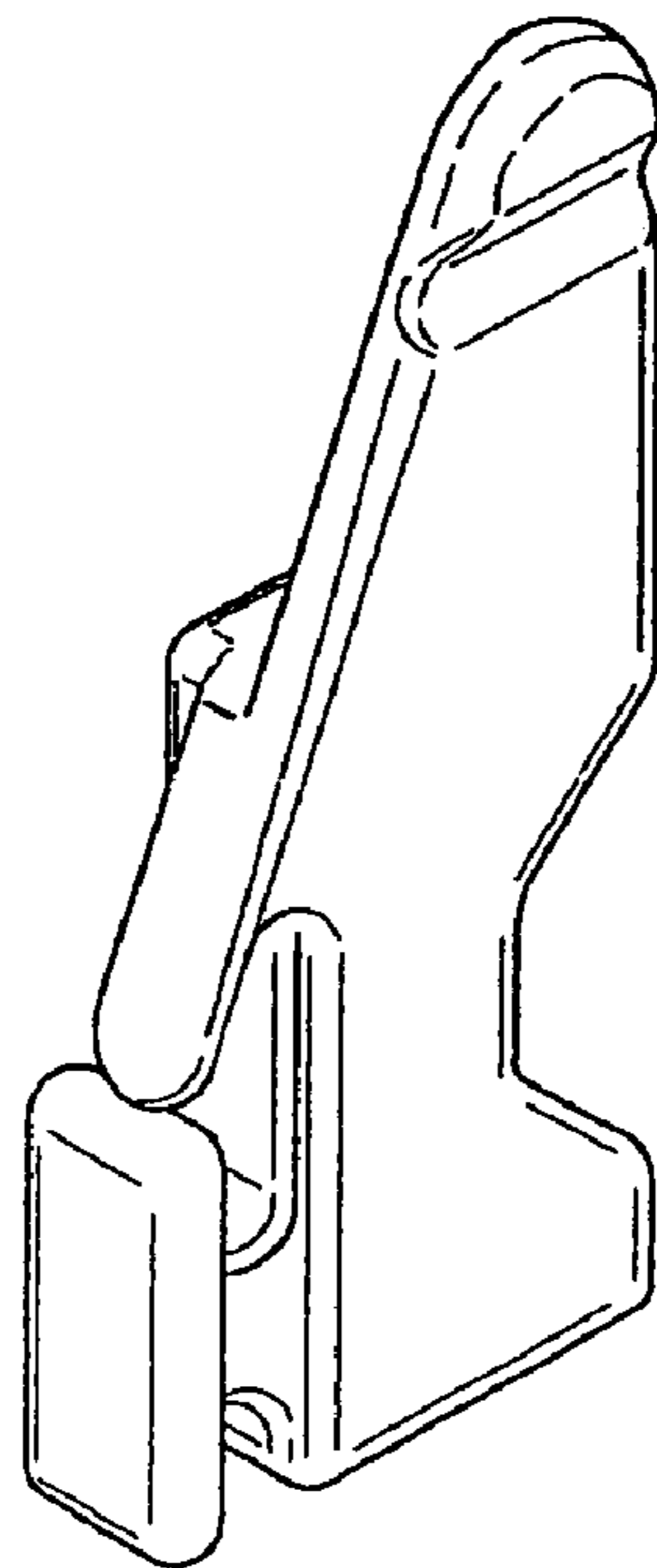


FIG. 2

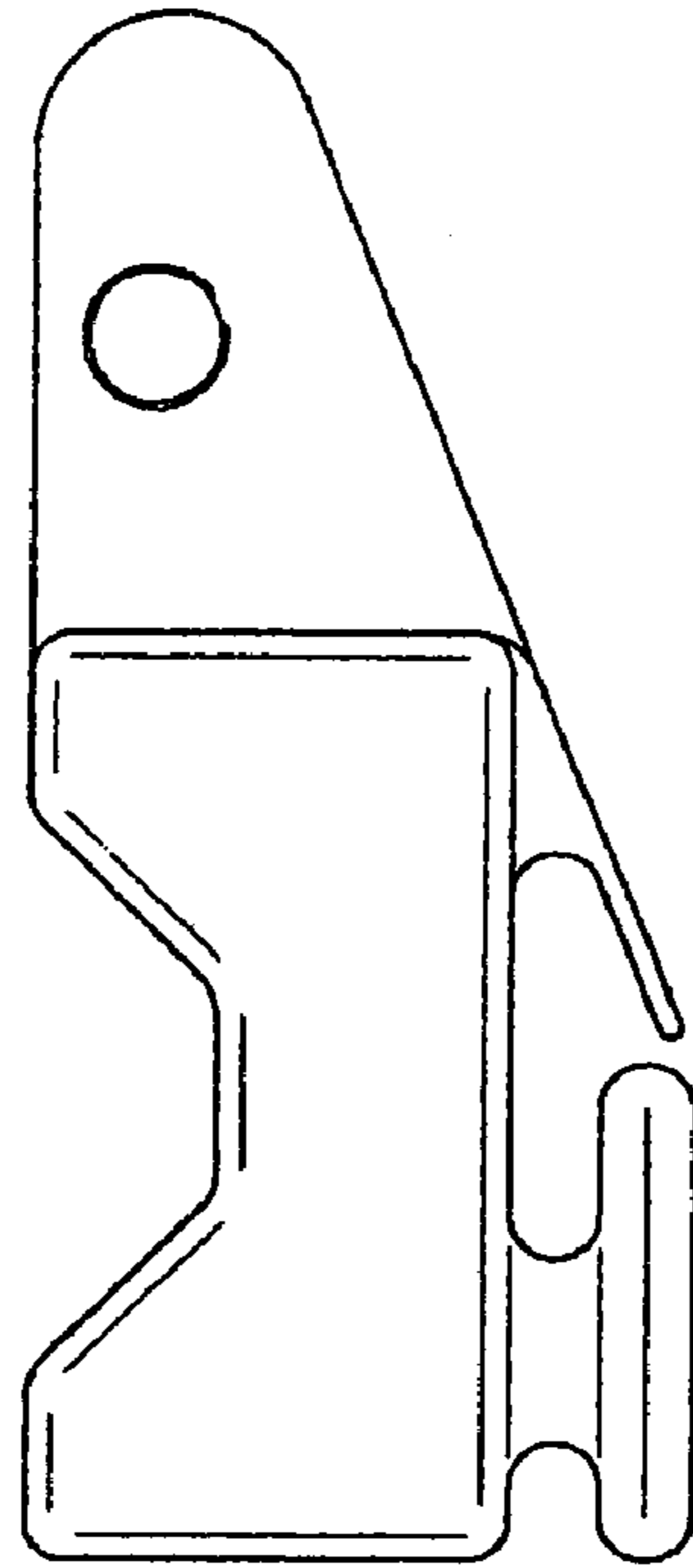


FIG. 3

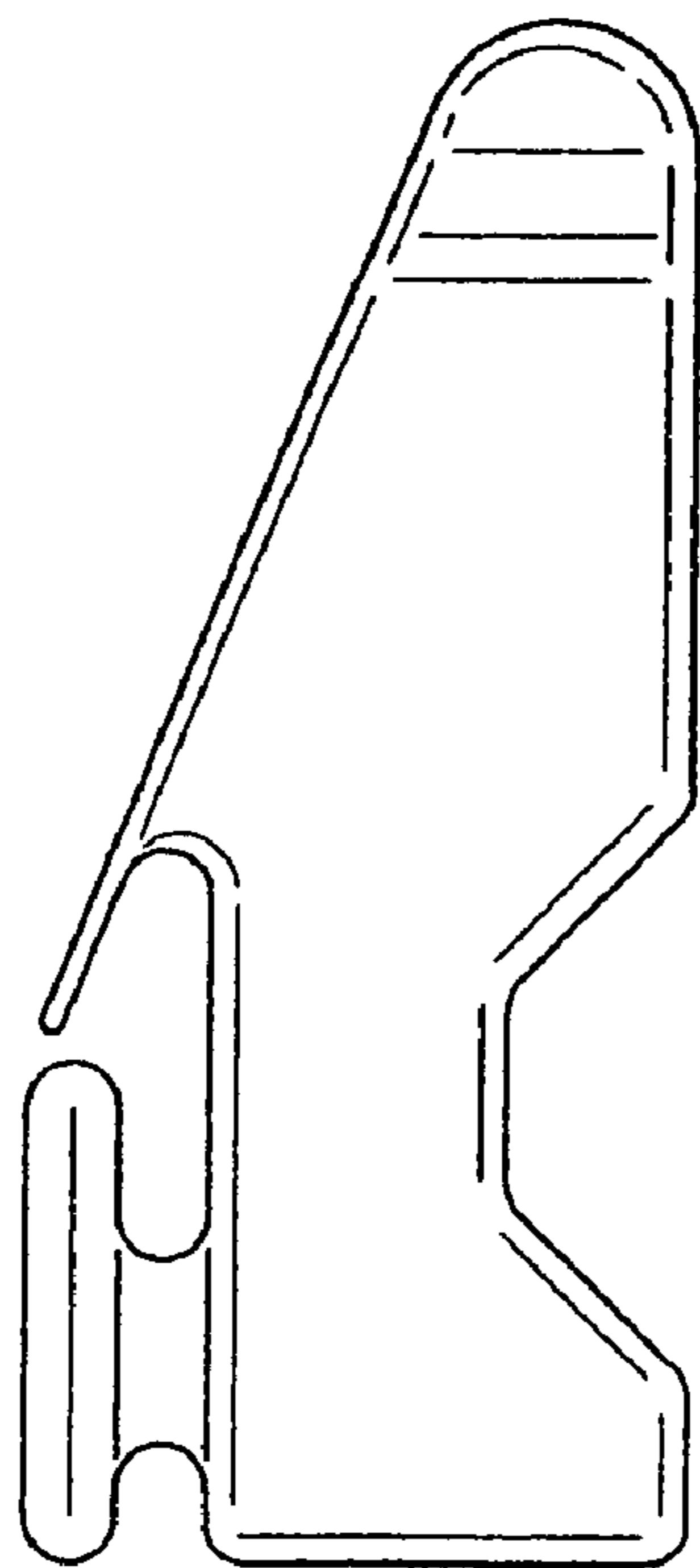


FIG. 4

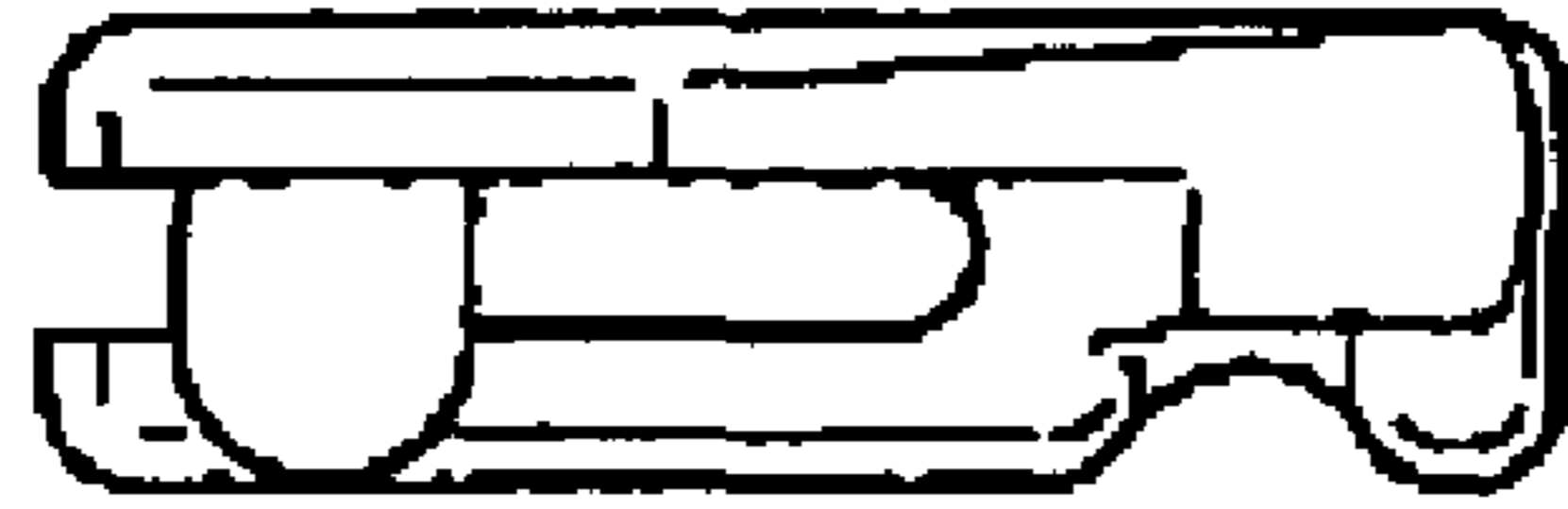


FIG. 5

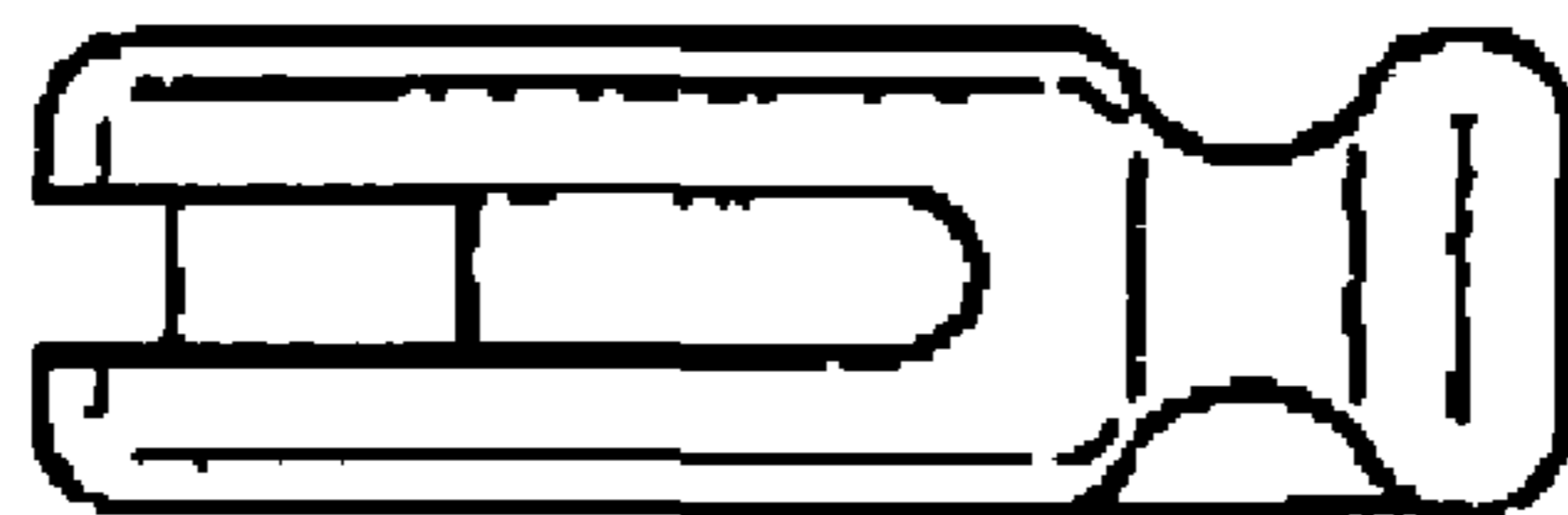


FIG. 6