



US00D583223S

(12) **United States Design Patent**
Bunn, Sr.

(10) **Patent No.:** **US D583,223 S**
(45) **Date of Patent:** **** Dec. 23, 2008**

(54) **ROOF HOOK**

(76) Inventor: **James A. Bunn, Sr.**, 336 Spring St.,
Wartrace, TN (US) 37183

(**) Term: **14 Years**

(21) Appl. No.: **29/318,525**

(22) Filed: **May 21, 2008**

(51) **LOC (8) Cl.** **08-05**

(52) **U.S. Cl.** **D8/371**

(58) **Field of Classification Search** D8/323,
D8/367, 371, 373, 395; D6/323, 375, 524,
D6/552; 211/87, 113; 248/58, 215, 227.2,
248/227.4, 229.16, 231.81, 301, 309.1, 489;
269/41, 45, 82, 92.2, 98, 152, 154, 155, 904,
269/910; 52/26, 127, 127.1, 127.2, 702,
52/713, 714, 746.11; 29/281.1, 281.5, 281.6;
182/206; 256/13.1

See application file for complete search history.

(56) **References Cited**

U.S. PATENT DOCUMENTS

D31,976 S *	12/1899	Hogue	D8/371
1,675,281 A *	6/1928	Strand	248/489
D112,555 S *	12/1938	Lowen	D8/371
D231,901 S *	6/1974	Bentley	D8/371
4,112,550 A *	9/1978	DeWitt et al.	248/227.4
4,121,690 A	10/1978	Rawlings et al.		
D298,738 S *	11/1988	Rumpel	D8/395
D305,299 S *	1/1990	Freeman	D8/373
D312,038 S *	11/1990	Sachs	D8/371
5,113,971 A	5/1992	Violet		

D368,647 S	4/1996	Koebbe		
5,664,641 A	9/1997	Ritze		
5,669,184 A *	9/1997	Anderson	52/26
6,698,702 B2	3/2004	Macri et al.		
7,127,868 B2 *	10/2006	Purvis et al.	52/746.11
D567,070 S *	4/2008	George	D8/371
2004/0051017 A1	3/2004	Mislich		
2005/0167201 A1 *	8/2005	Young et al.	182/206
2006/0145131 A1 *	7/2006	Purvis	256/13.1
2007/0062761 A1	3/2007	Megna et al.		

* cited by examiner

Primary Examiner—T. Chase Nelson
Assistant Examiner—Barbara B Lohr

(57) **CLAIM**

The ornamental design for a roof hook, as shown and described.

DESCRIPTION

FIG. 1 is a perspective view of a roof hook;

FIG. 2 is a side view thereof;

FIG. 3 is a front view thereof;

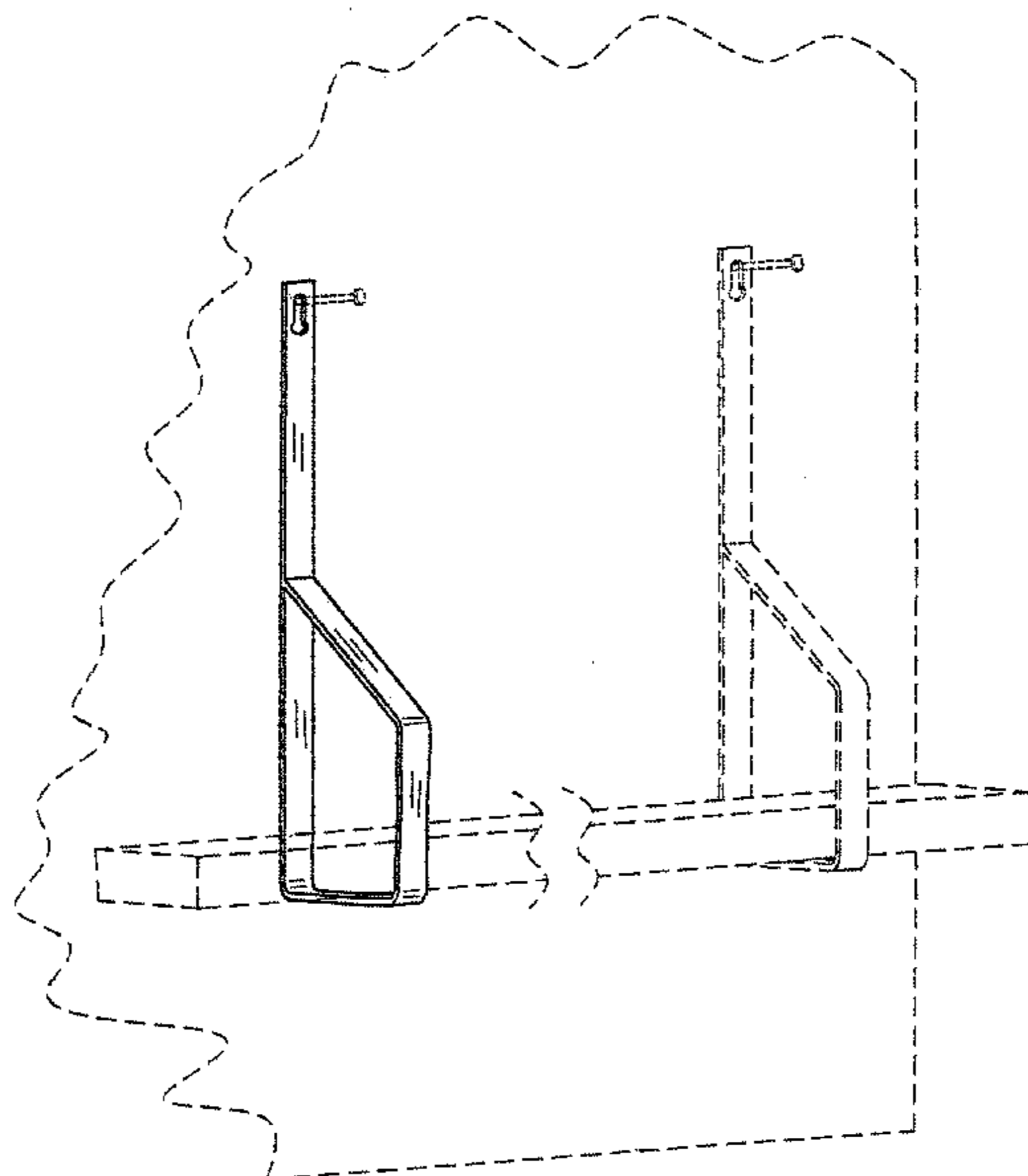
FIG. 4 is a back view thereof;

FIG. 5 is a top view thereof; and,

FIG. 6 is a bottom view thereof.

In FIG. 1, the broken line showing of environmental structure and a second unclaimed roof hook is for purposes of illustrating the roof hook in a condition of use. The broken lines and the structure they depict form no part of the claimed design.

1 Claim, 2 Drawing Sheets



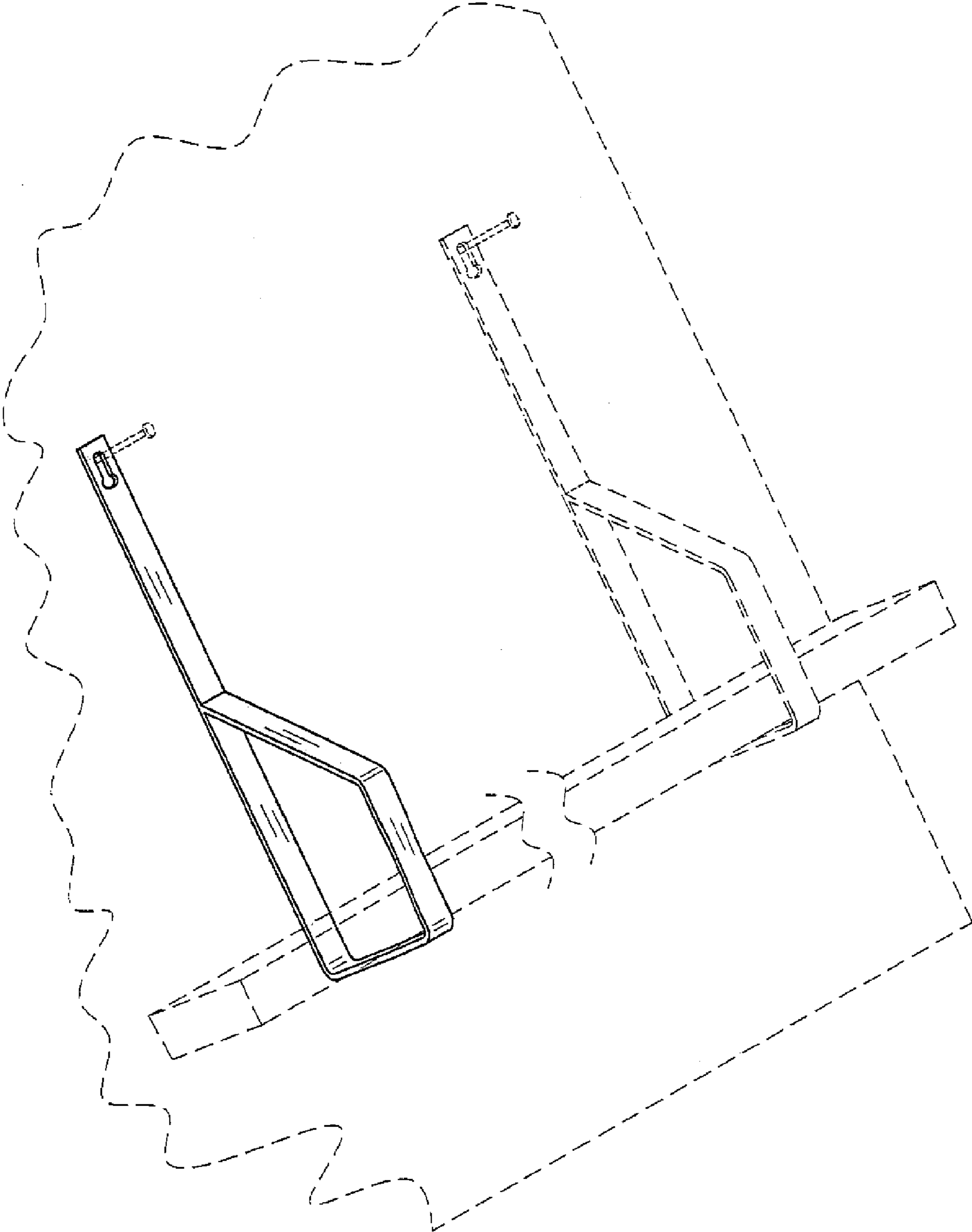


FIG. 1

FIG. 2

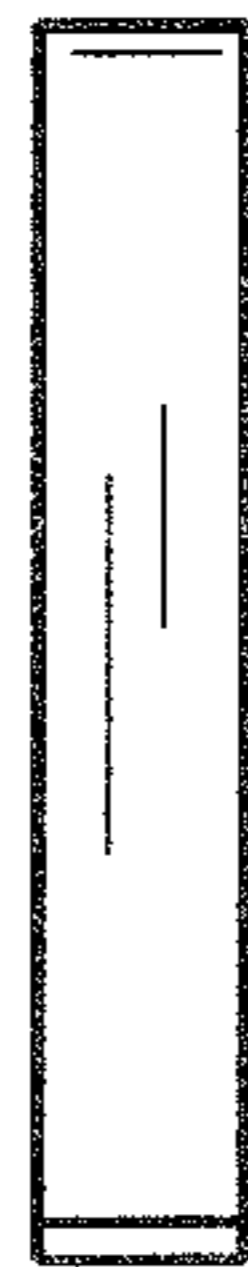
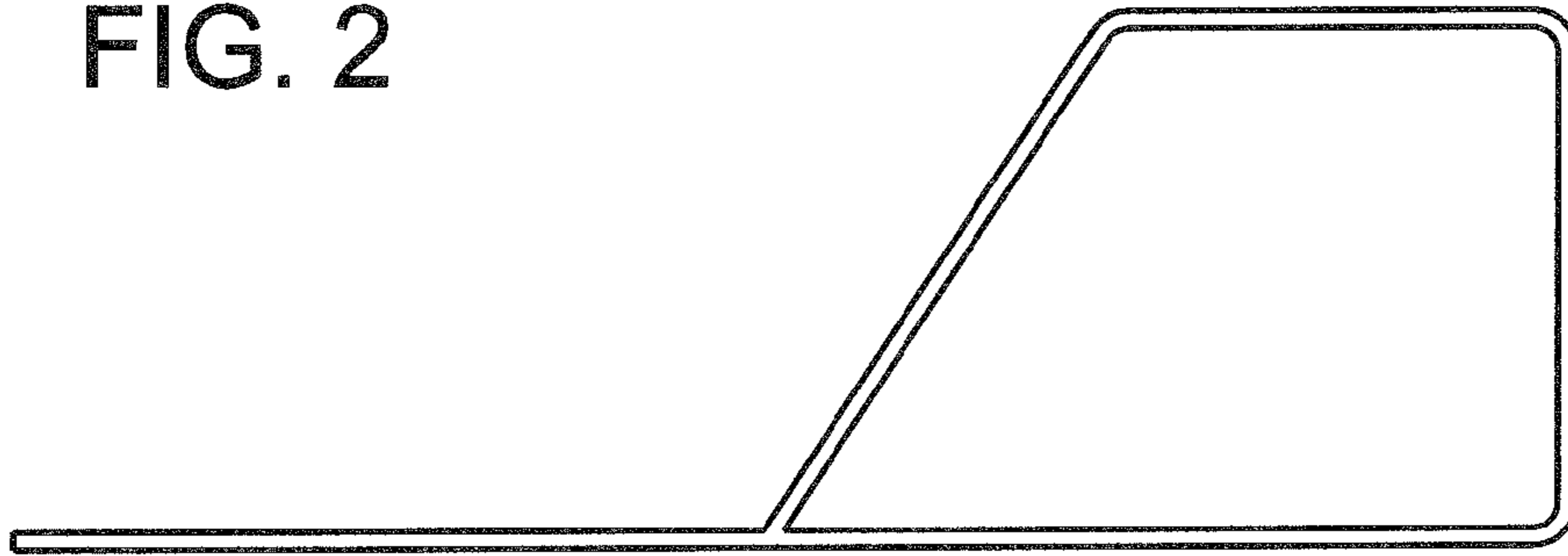


FIG. 3



FIG. 4



FIG. 5



FIG. 6