



US00D583221S

(12) **United States Design Patent**
Johnsen

(10) **Patent No.:** **US D583,221 S**

(45) **Date of Patent:** **** Dec. 23, 2008**

(54) **MOUNTING BRACKET**

(75) Inventor: **Hans Christian Johnsen**, Sonderborg (DK)

(73) Assignee: **Danfoss Drives A/S**, Graasten (DK)

(**) Term: **14 Years**

(21) Appl. No.: **29/298,053**

(22) Filed: **Nov. 28, 2007**

(30) **Foreign Application Priority Data**

May 31, 2007 (EM) 000731732

(51) **LOC (8) Cl.** **08-05**

(52) **U.S. Cl.** **D8/354**

(58) **Field of Classification Search** D8/323,
D8/325, 349, 354, 366, 373, 400; D12/223;
248/200, 205.1, 207, 213.1, 247, 248, 309.1
See application file for complete search history.

(56) **References Cited**

U.S. PATENT DOCUMENTS

- D306,133 S * 2/1990 Zupancic D8/354
- D398,835 S * 9/1998 Coll et al. D8/354
- D400,080 S * 10/1998 Beard, Jr. D8/354
- D401,496 S * 11/1998 Lambert et al. D8/354
- 6,047,936 A * 4/2000 Favotto et al. 248/309.1
- D438,448 S * 3/2001 Batting et al. D8/354

- D481,619 S * 11/2003 Hightower D8/382
- D541,623 S * 5/2007 Hord et al. D8/323
- D563,771 S * 3/2008 Prechtel et al. D8/354

* cited by examiner

Primary Examiner—Holly H Baynham

Assistant Examiner—Cynthia M Chin

(74) *Attorney, Agent, or Firm*—McCormick, Paulding & Huber LLP

(57) **CLAIM**

The ornamental design for a mounting bracket, as shown and described.

DESCRIPTION

FIG. 1 is a top view of a mounting bracket comprising a new, original and ornamental design;

FIG. 2 is a rear view of the mounting bracket comprising the new, original and ornamental design;

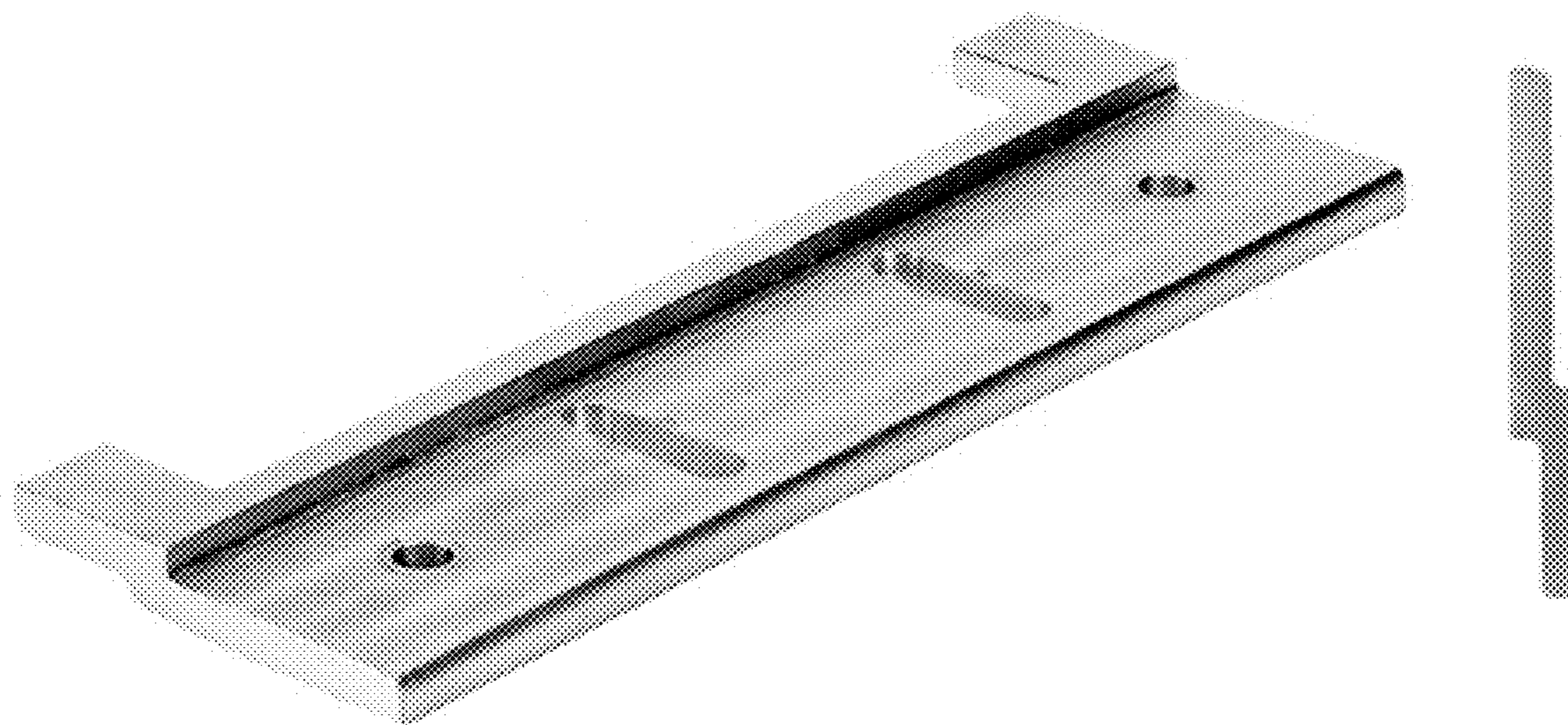
FIG. 3 is a front view of the mounting bracket comprising the new, original and ornamental design;

FIG. 4 is rear, bottom perspective view of the mounting bracket comprising the new, original and ornamental design;

FIG. 5 is a top, front perspective view of the mounting bracket comprising the new, original and ornamental design; and,

FIG. 6 is a left-hand side view of the mounting bracket comprising the new, original and ornamental design.

1 Claim, 3 Drawing Sheets



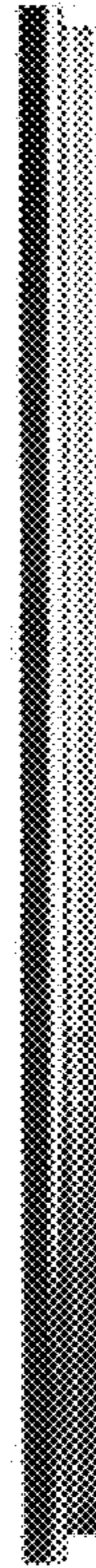


FIG. 1

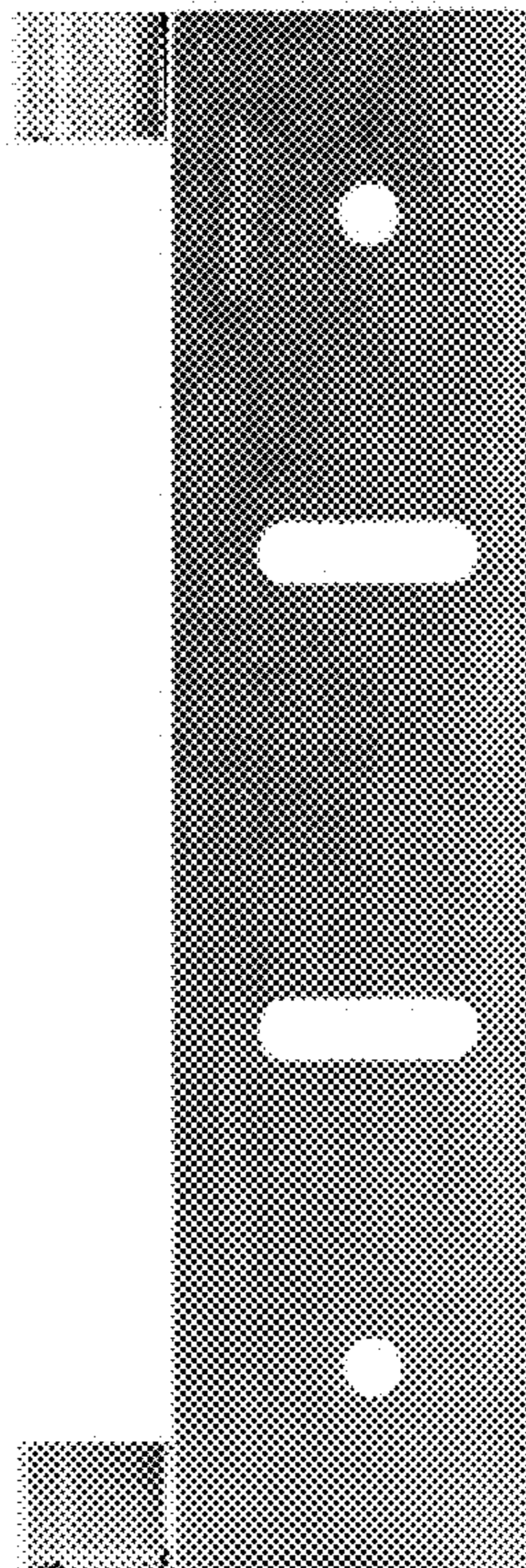


FIG. 2

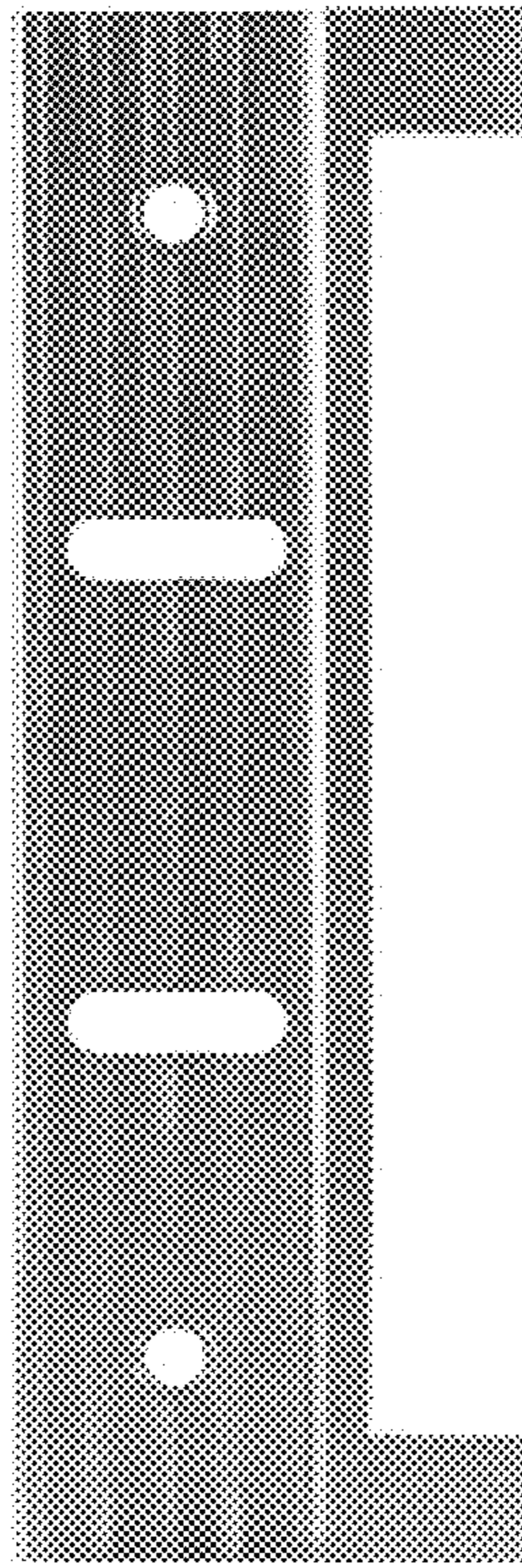


FIG. 3

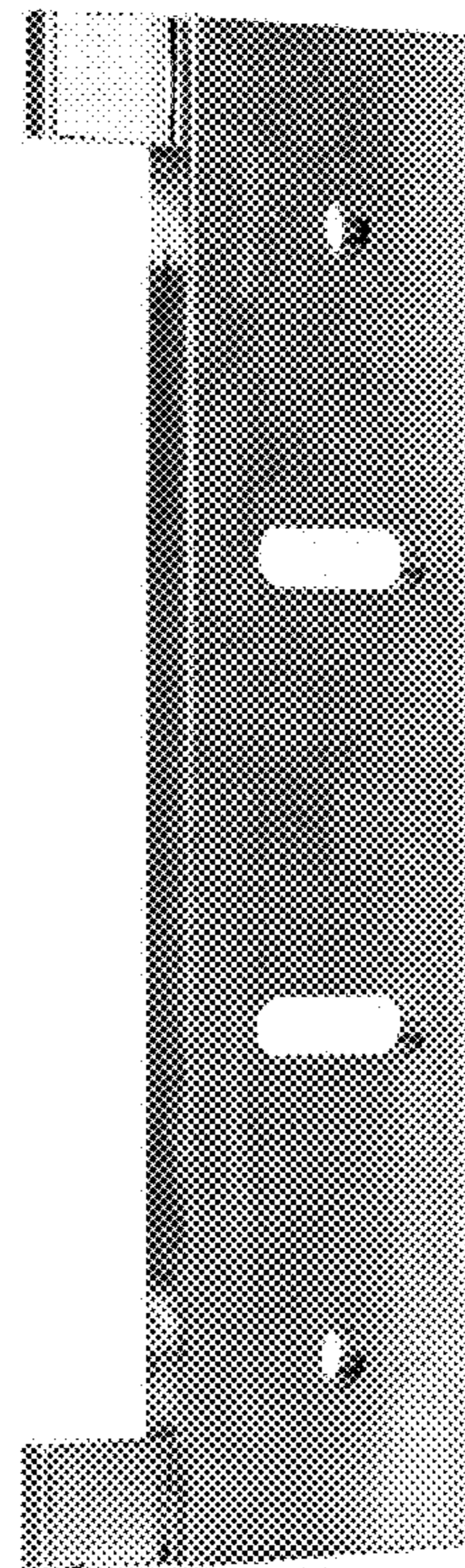


FIG. 4

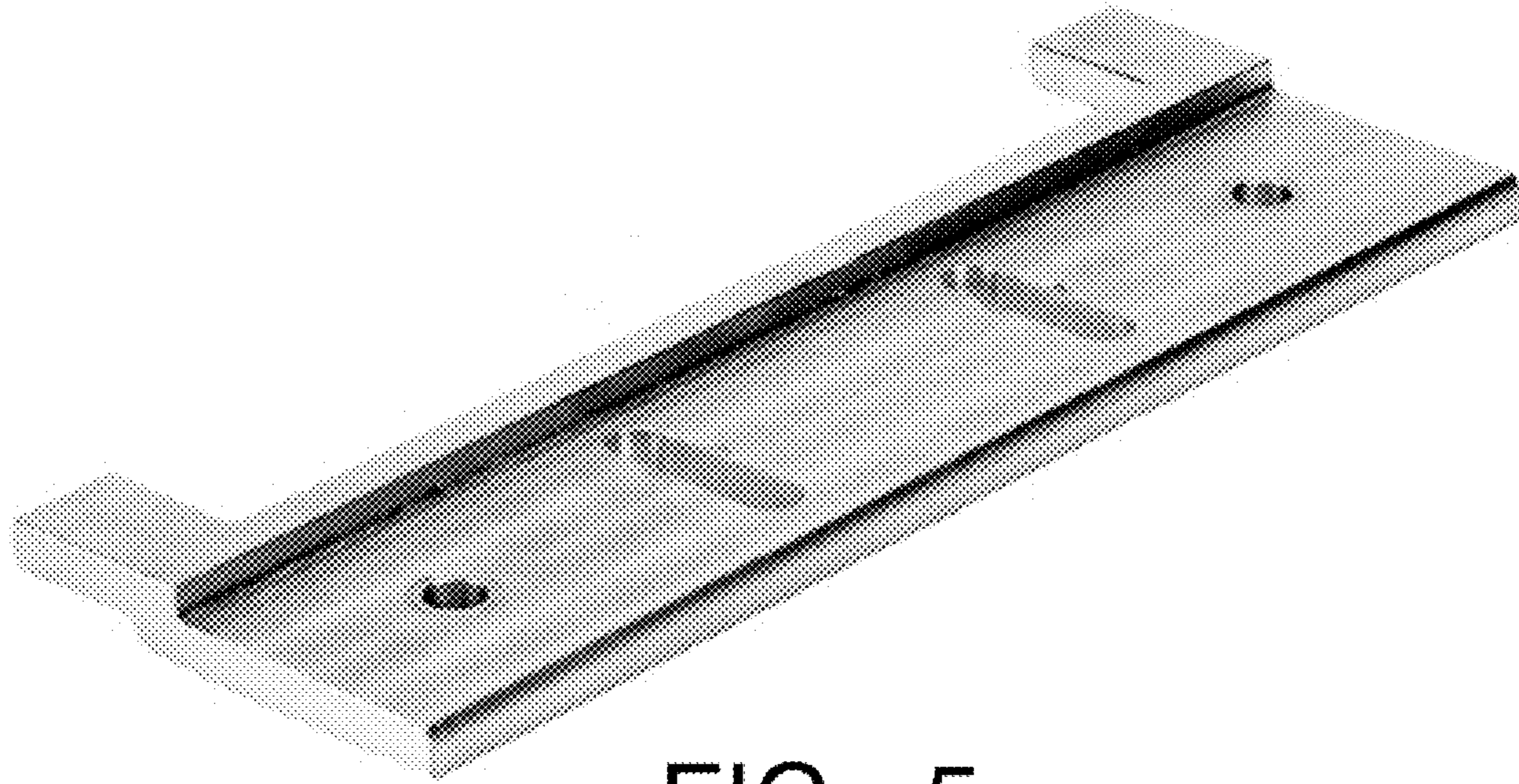


FIG. 5

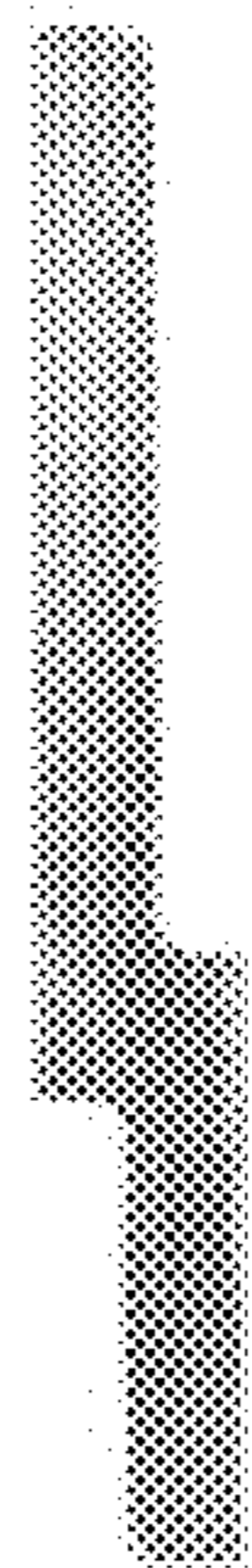


FIG. 6