



US00D583220S

(12) **United States Design Patent**
Ni

(10) **Patent No.:** **US D583,220 S**

(45) **Date of Patent:** **** Dec. 23, 2008**

(54) **COMBINED WALL AND BASE PLATE**

(75) Inventor: **Lidong Ni, Yueqing (CN)**

(73) Assignee: **Wenzhou MTL Electric Appliances Co., Ltd., Yueqing, Zhejiang Province (CN)**

(**) Term: **14 Years**

(21) Appl. No.: **29/301,264**

(22) Filed: **Feb. 20, 2008**

(51) **LOC (8) Cl.** **11-05**

(52) **U.S. Cl.** **D8/353**

(58) **Field of Classification Search** D8/350–353, D8/300, 301, 302, 308, 310, 316, 317–320; D13/156, 177, 152, 154, 158, 173, 169, 171, D13/139.1–139.8, 146, 147; D14/159; D25/60; 174/66, 67; 220/241, 3.92, 3.5–3.8, 242; 439/536, 535, 892; 200/303; 248/273; 292/357, 292/336.3; 70/107, 111, 402, 450, 452, DIG. 73
See application file for complete search history.

(56) **References Cited**

U.S. PATENT DOCUMENTS

4,631,354	A *	12/1986	Boteler	174/66
4,733,330	A *	3/1988	Tanaka et al.	361/641
4,835,343	A *	5/1989	Graef et al.	174/66
5,073,681	A *	12/1991	Hubben et al.	174/66
D327,212	S *	6/1992	Hubben et al.	D8/353
5,180,886	A *	1/1993	Dierenbach et al.	174/66
5,723,817	A *	3/1998	Arenas et al.	174/66
5,895,888	A *	4/1999	Arenas et al.	174/66
6,281,440	B1 *	8/2001	Baldwin et al.	174/66
6,329,596	B1 *	12/2001	Justiniano et al.	174/66
D484,392	S *	12/2003	Mayo et al.	D8/353
D493,695	S *	8/2004	Wengrower	D8/353
6,943,297	B2 *	9/2005	Capella	174/66
6,974,910	B2 *	12/2005	Rohmer	174/66
D550,076	S *	9/2007	Ni	D8/353
D555,458	S *	11/2007	Kaufman	D8/353

* cited by examiner

Primary Examiner—Stella M Reid

Assistant Examiner—Mark A Goodwin

(74) *Attorney, Agent, or Firm*—Law Offices of S.J Chrisine Yang

(57) **CLAIM**

The ornamental design for a combined wall and base plate, as shown and described.

DESCRIPTION

FIG. 1 is a front, side perspective view of a first embodiment of the wall plate of the combined wall plate and base plate showing my new design.

FIG. 2 is a side view of the first embodiment of the wall plate of which the other side is a mirror image.

FIG. 3 is a front view of the first embodiment of the wall plate.

FIG. 4 is a bottom view of the first embodiment of the wall plate of which the top is a mirror image.

FIG. 5 is a back view of the first embodiment of the wall plate.

FIG. 6 is a front, side perspective view of a first embodiment of the base plate of the combined wall plate and base plate showing my new design.

FIG. 7 is a side view of the first embodiment of the base plate of which the other side is a mirror image.

FIG. 8 is a front view of the first embodiment of the base plate.

FIG. 9 is a bottom view of the first embodiment of the base plate of which the top is a mirror image.

FIG. 10 is a back view of the first embodiment of the base plate.

FIG. 11 is a front, side perspective view of a second embodiment of the wall plate of the combined wall plate and base plate showing my new design.

FIG. 12 is a side view of the second embodiment of the wall plate of which the other side is a mirror image.

FIG. 13 is a front view of the second embodiment of the wall plate.

FIG. 14 is a bottom view of the second embodiment of the wall plate of which the top is a mirror image.

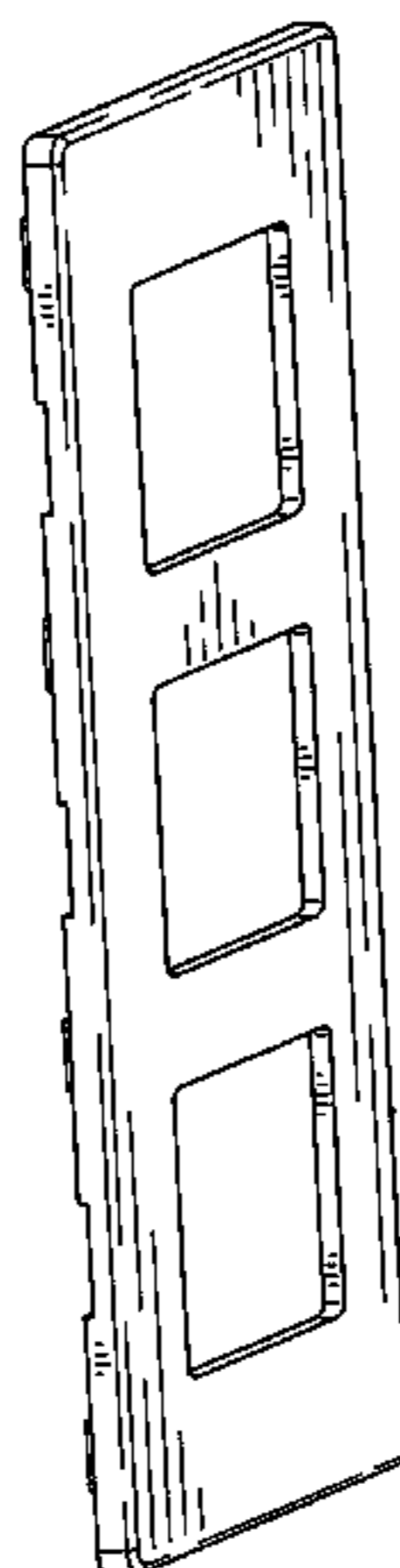


FIG. **15** is a back view of the second embodiment of the wall plate.

FIG. **16** is a front, side perspective view of a second embodiment of the base plate of the combined wall plate and base plate showing my new design.

FIG. **17** is a side view of the second embodiment of the base plate of which the other side is a mirror image.

FIG. **18** is a front view of the second embodiment of the base plate.

FIG. **19** is a bottom view of the second embodiment of the base plate of which the top is a mirror image.

FIG. **20** is a back view of the second embodiment of the base plate.

FIG. **21** is a front, side perspective view of a third embodiment of the wall plate of the combined wall plate and base plate showing my new design.

FIG. **22** is a side view of the third embodiment of the wall plate of which the other side is a mirror image.

FIG. **23** is a front view of the third embodiment of the wall plate.

FIG. **24** is a bottom view of the third embodiment of the wall plate of which the top is a mirror image.

FIG. **25** is a back view of the third embodiment of the wall plate.

FIG. **26** is a front, side perspective view of a third embodiment of the base plate of the combined wall plate and base plate showing my new design.

FIG. **27** is a side view of the third embodiment of the base plate of which the other side is a mirror image.

FIG. **28** is a front view of the third embodiment of the base plate.

FIG. **29** is a bottom view of the third embodiment of the base plate of which the top is a mirror image; and,

FIG. **30** is a back view of the third embodiment of the base plate.

1 Claim, 12 Drawing Sheets

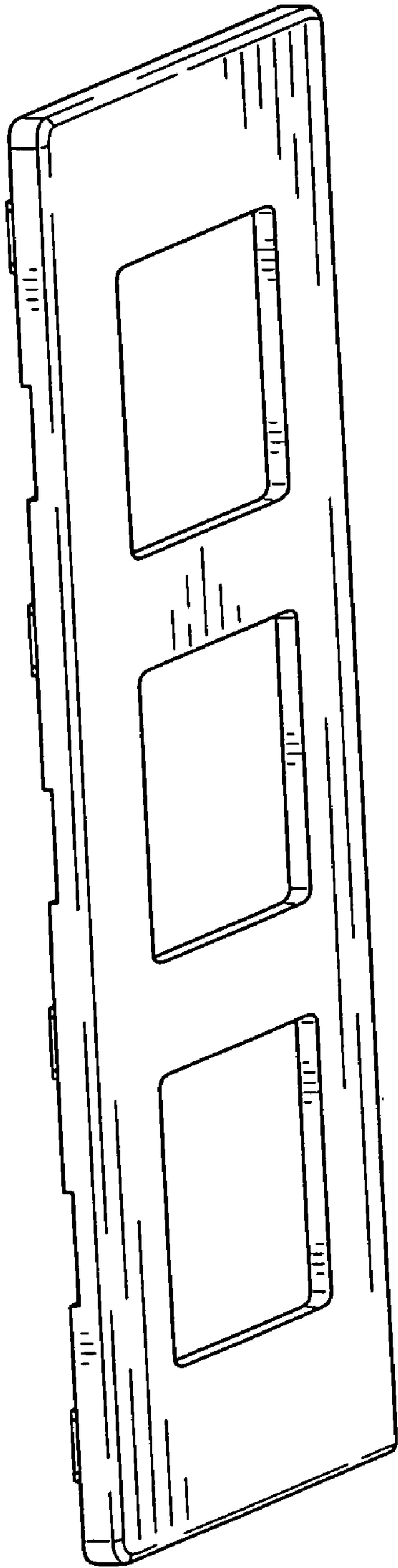


FIG. 1



FIG. 2

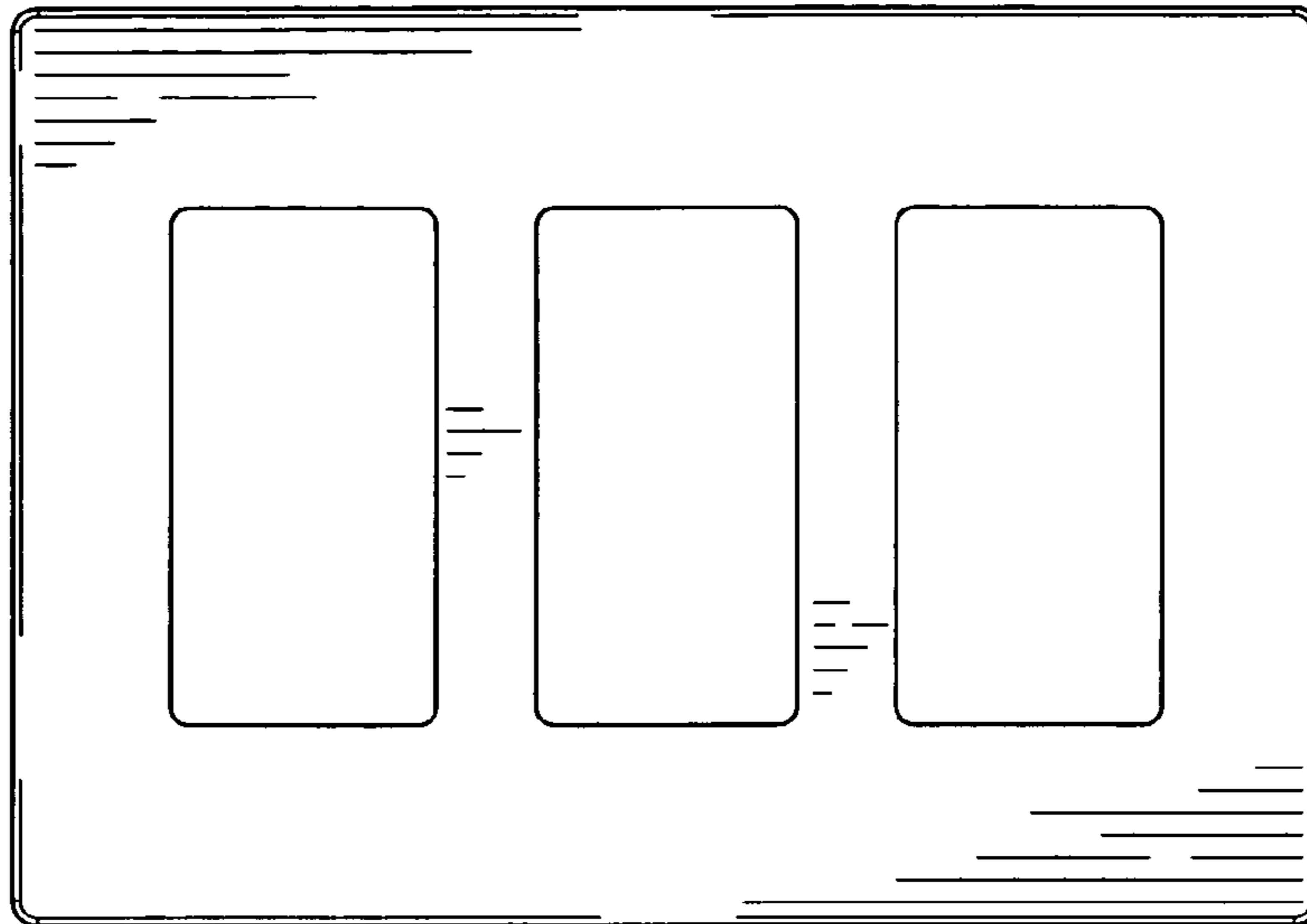


FIG. 3

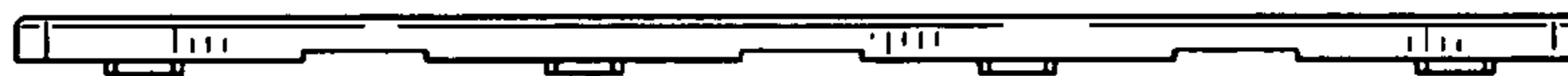


FIG. 4

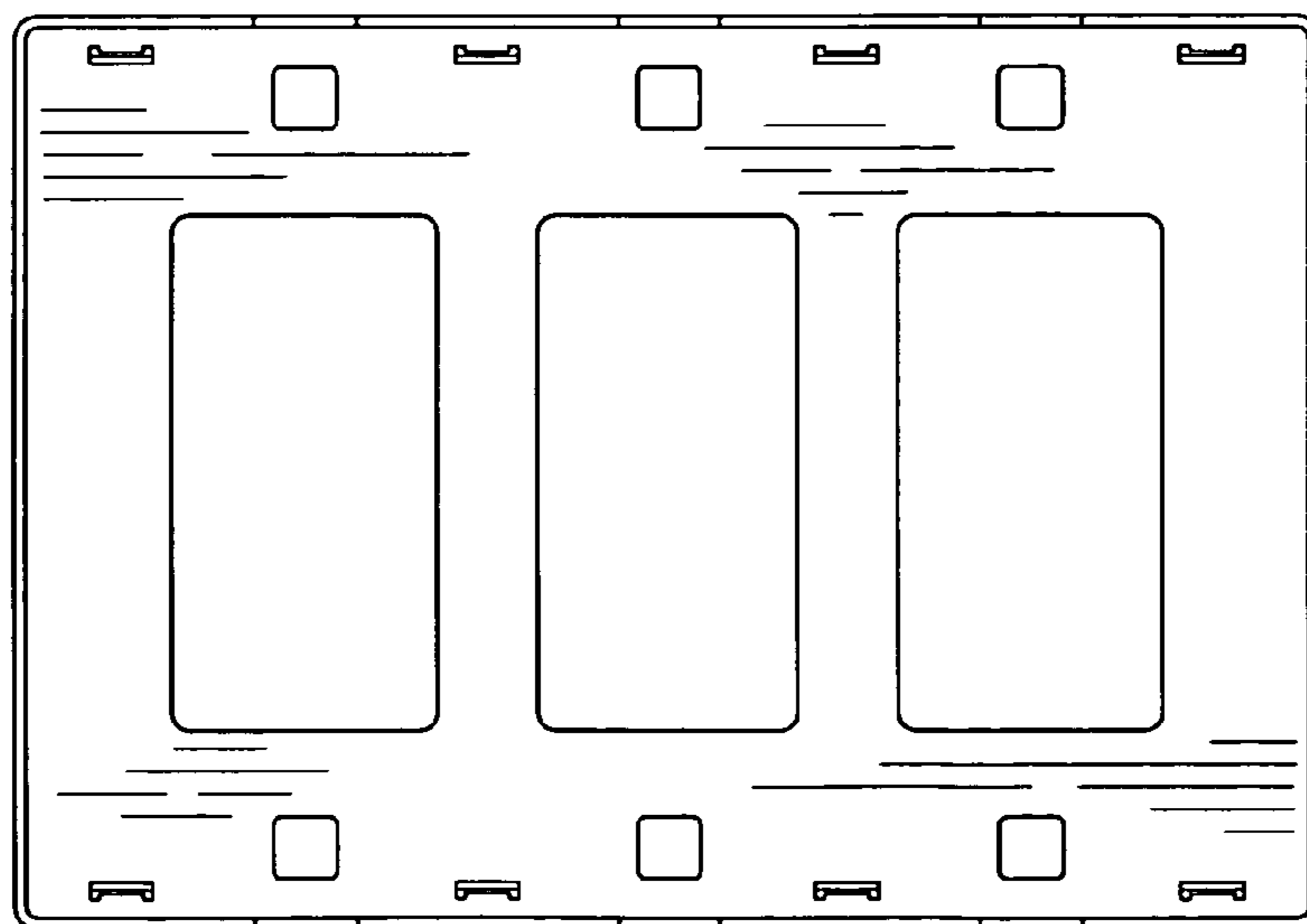


FIG. 5

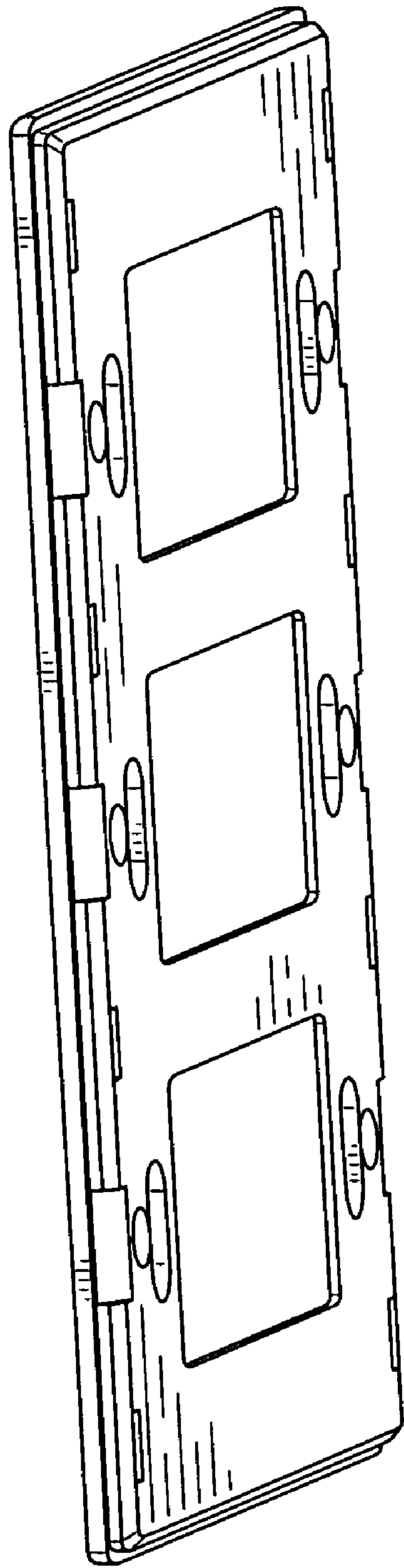


FIG. 6



FIG. 7

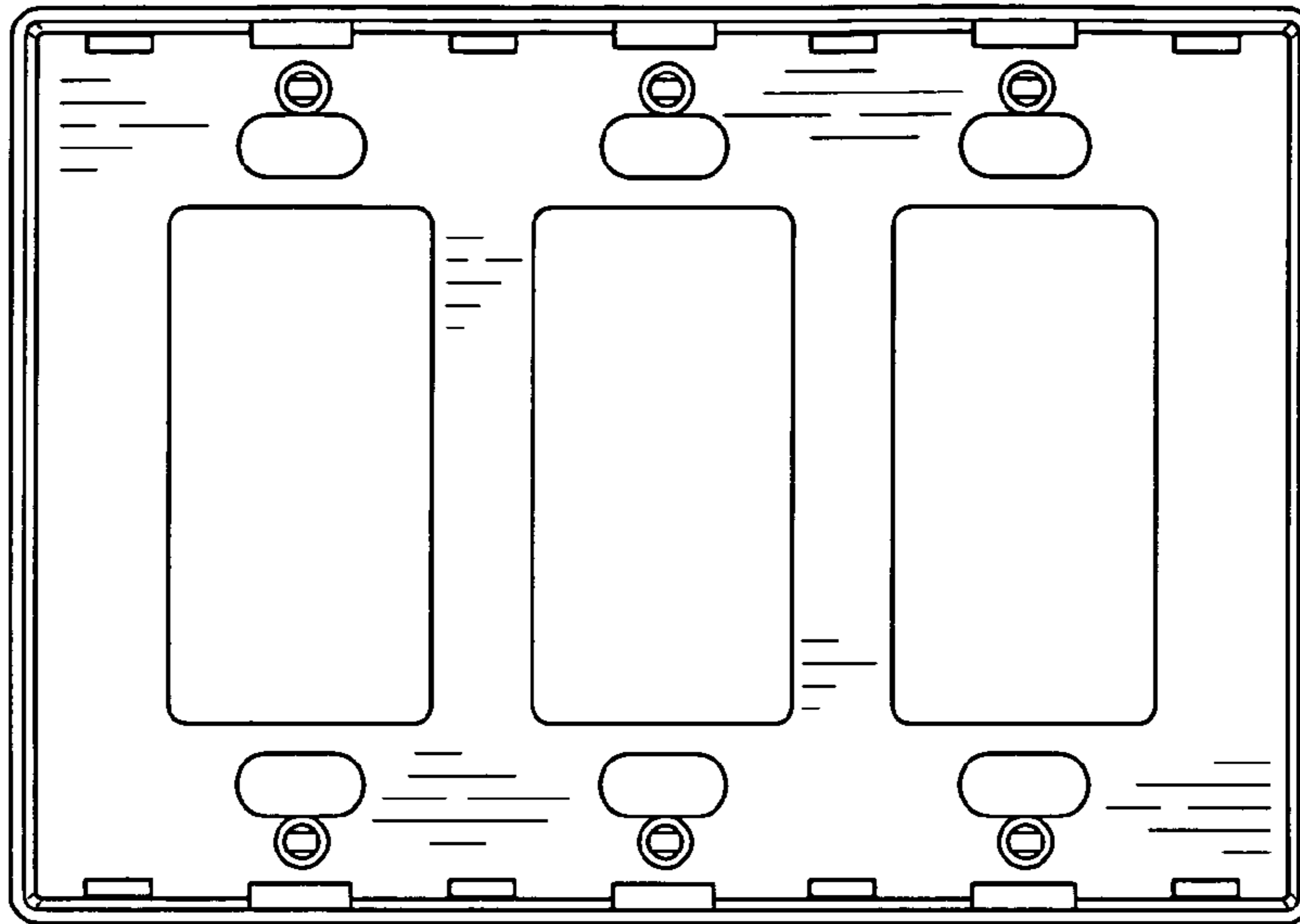


FIG. 8

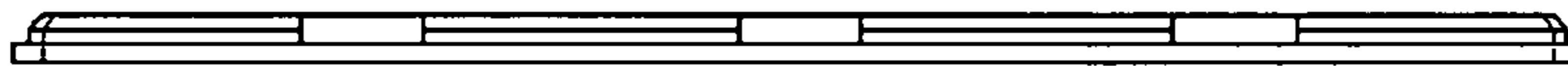


FIG. 9

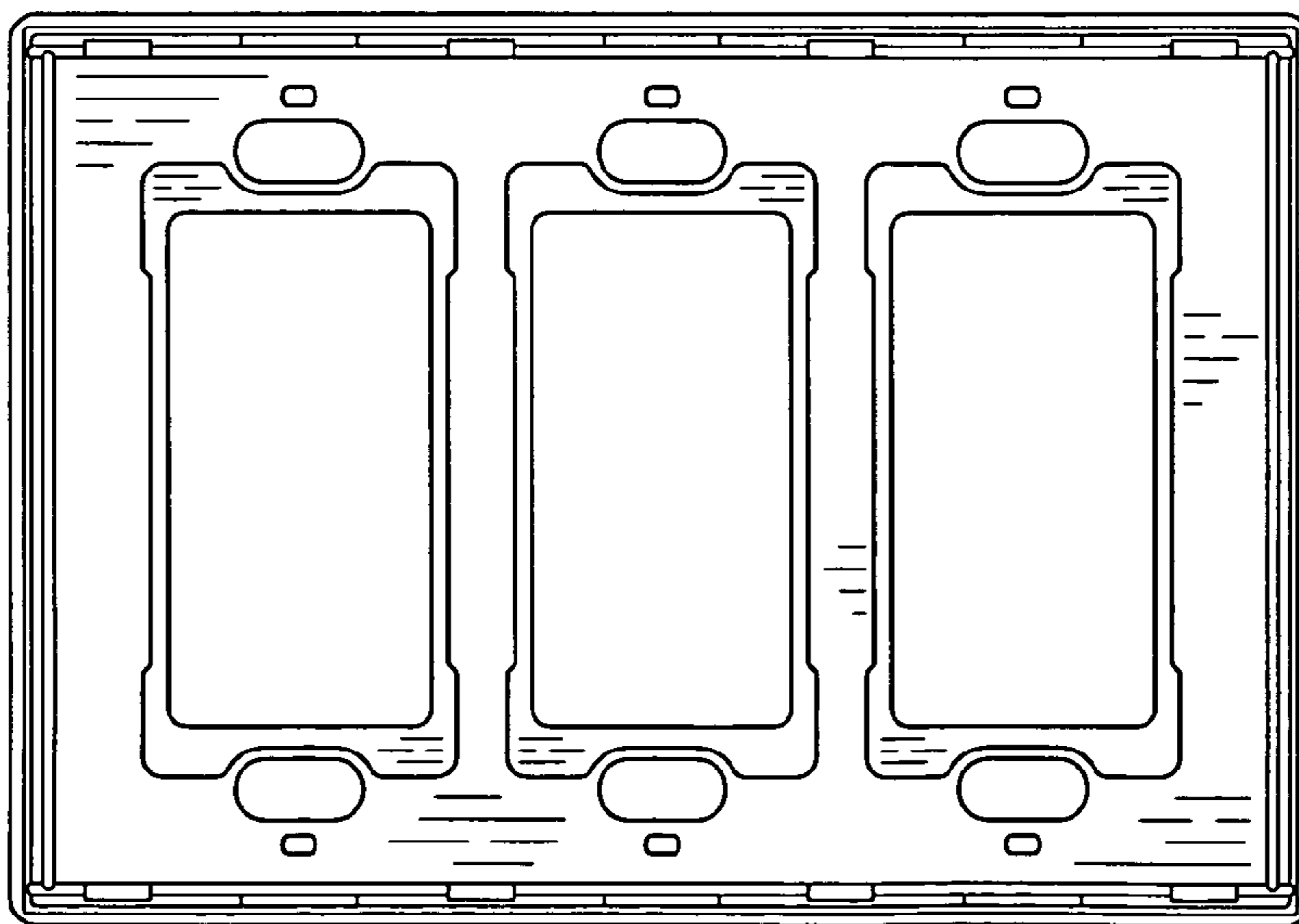


FIG. 10

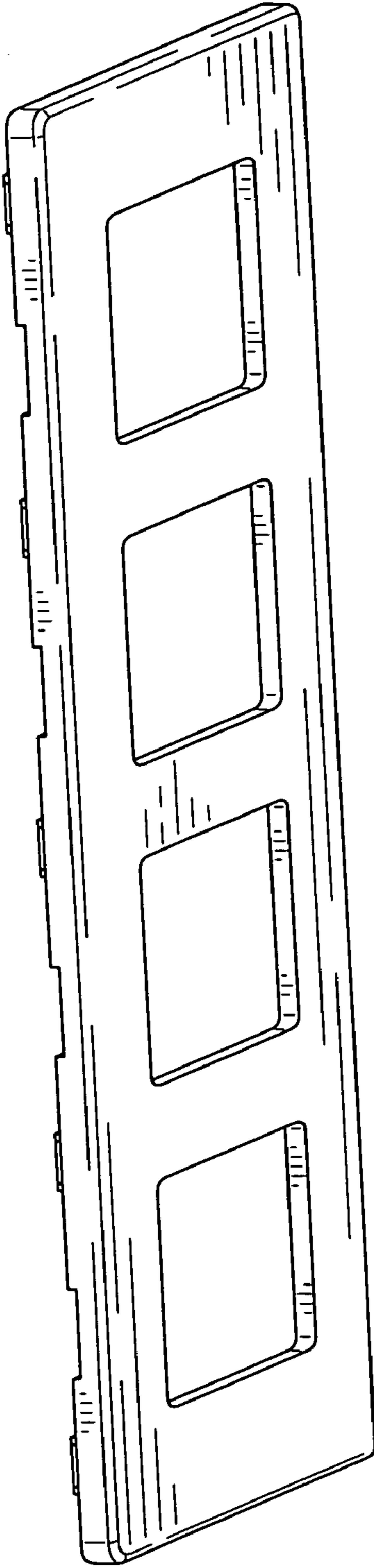


FIG. 11



FIG. 12

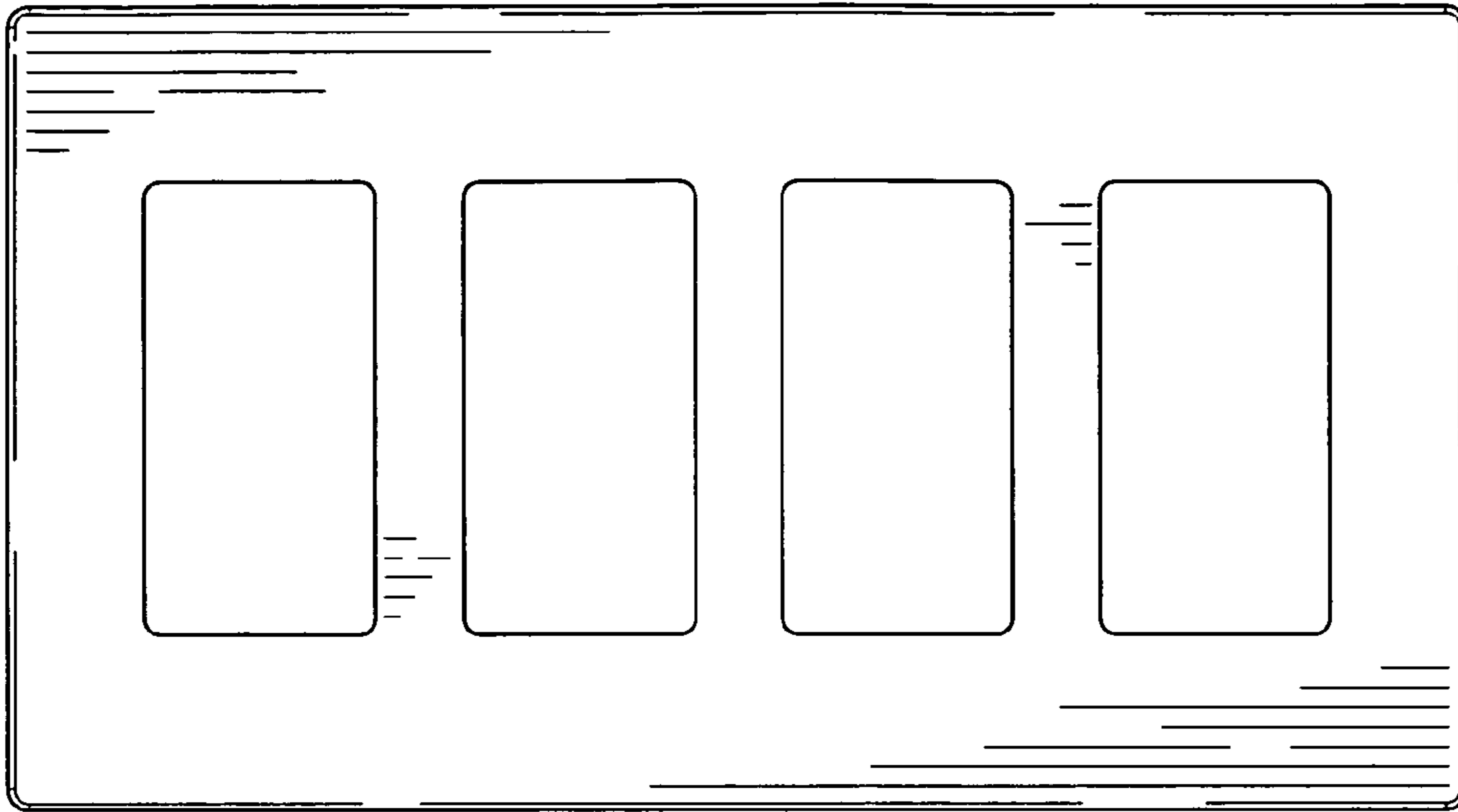


FIG. 13

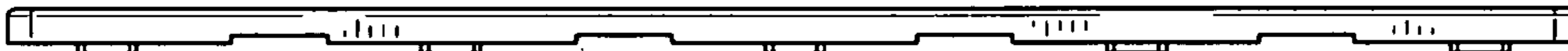


FIG. 14

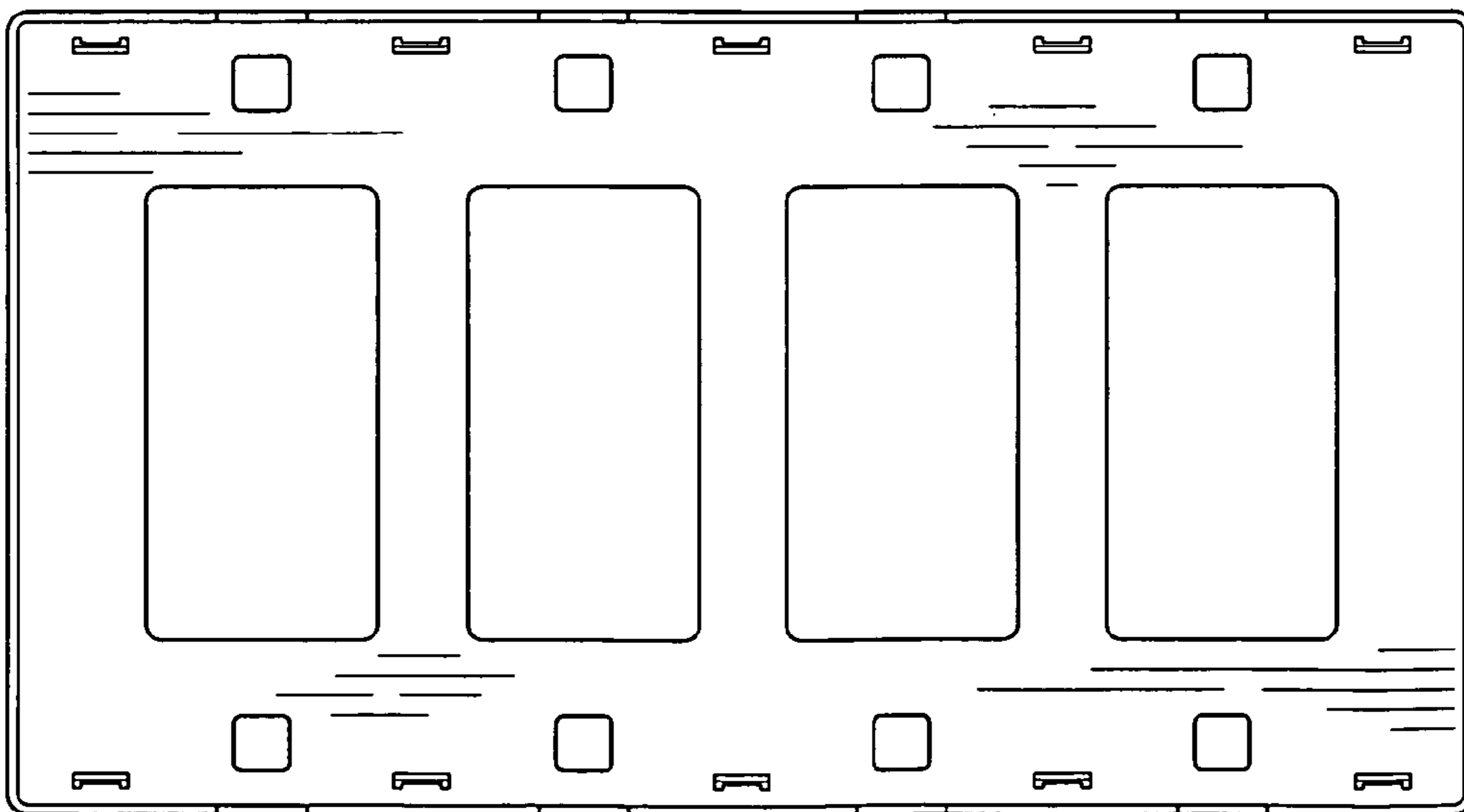


FIG. 15

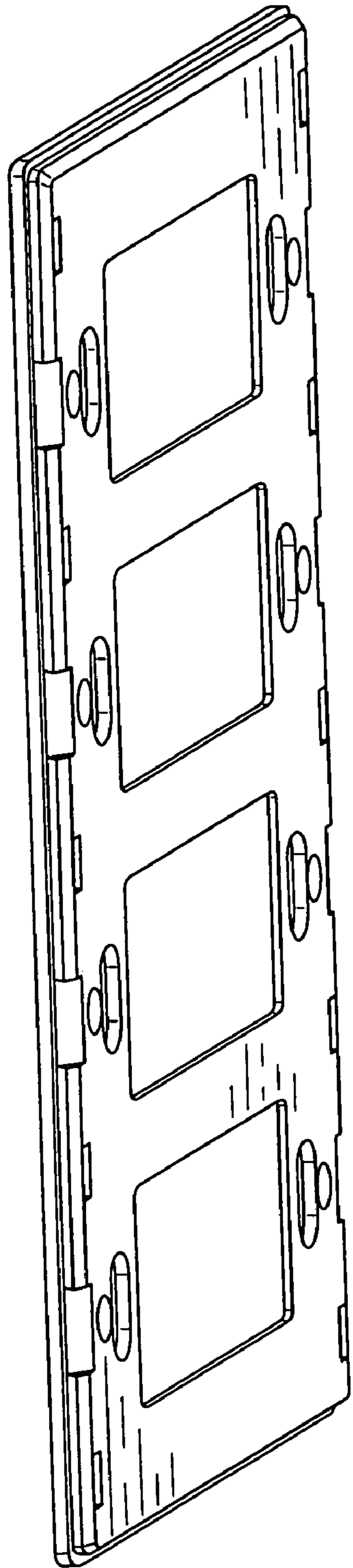


FIG. 16



FIG. 17

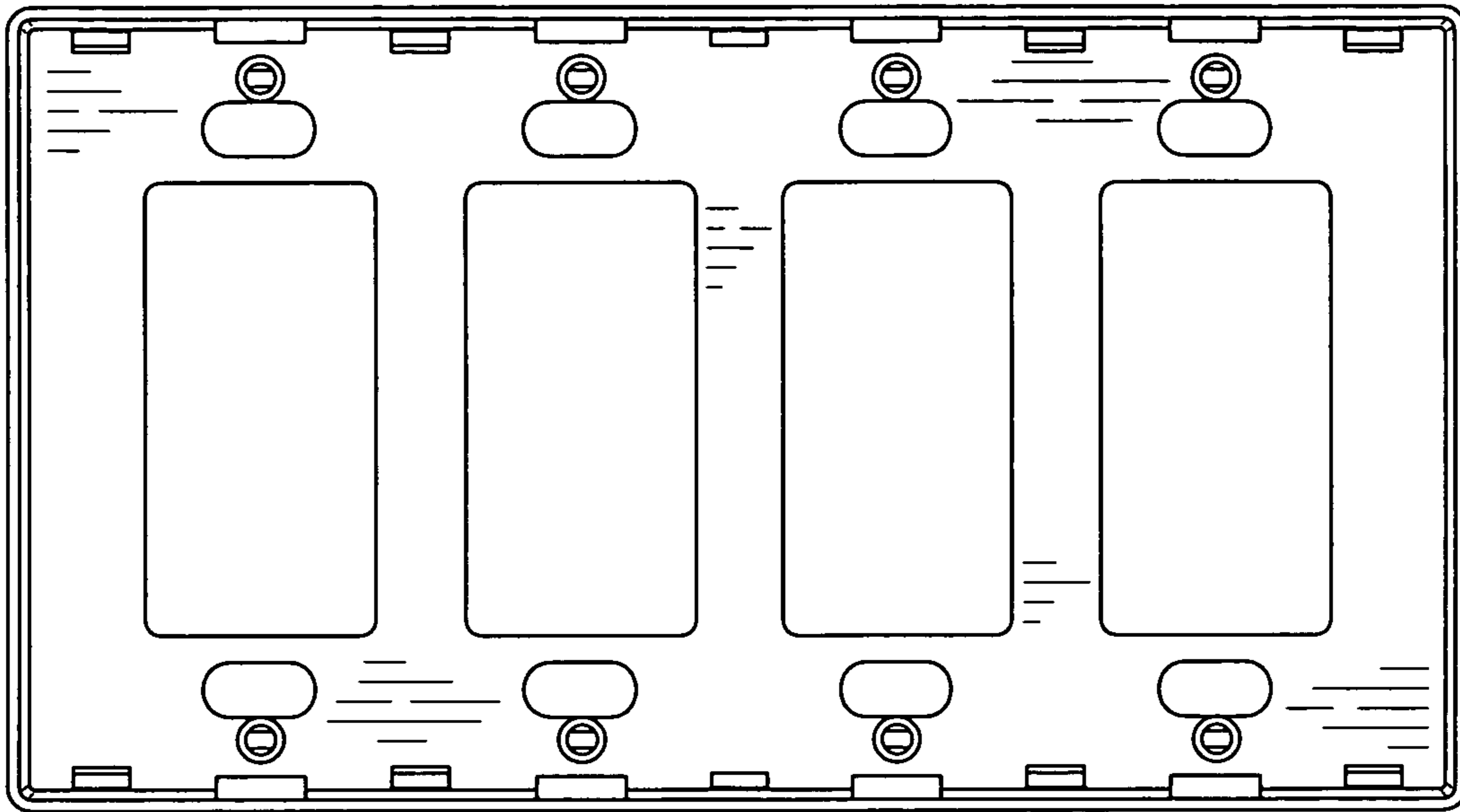


FIG. 18

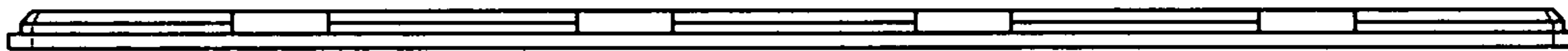


FIG. 19

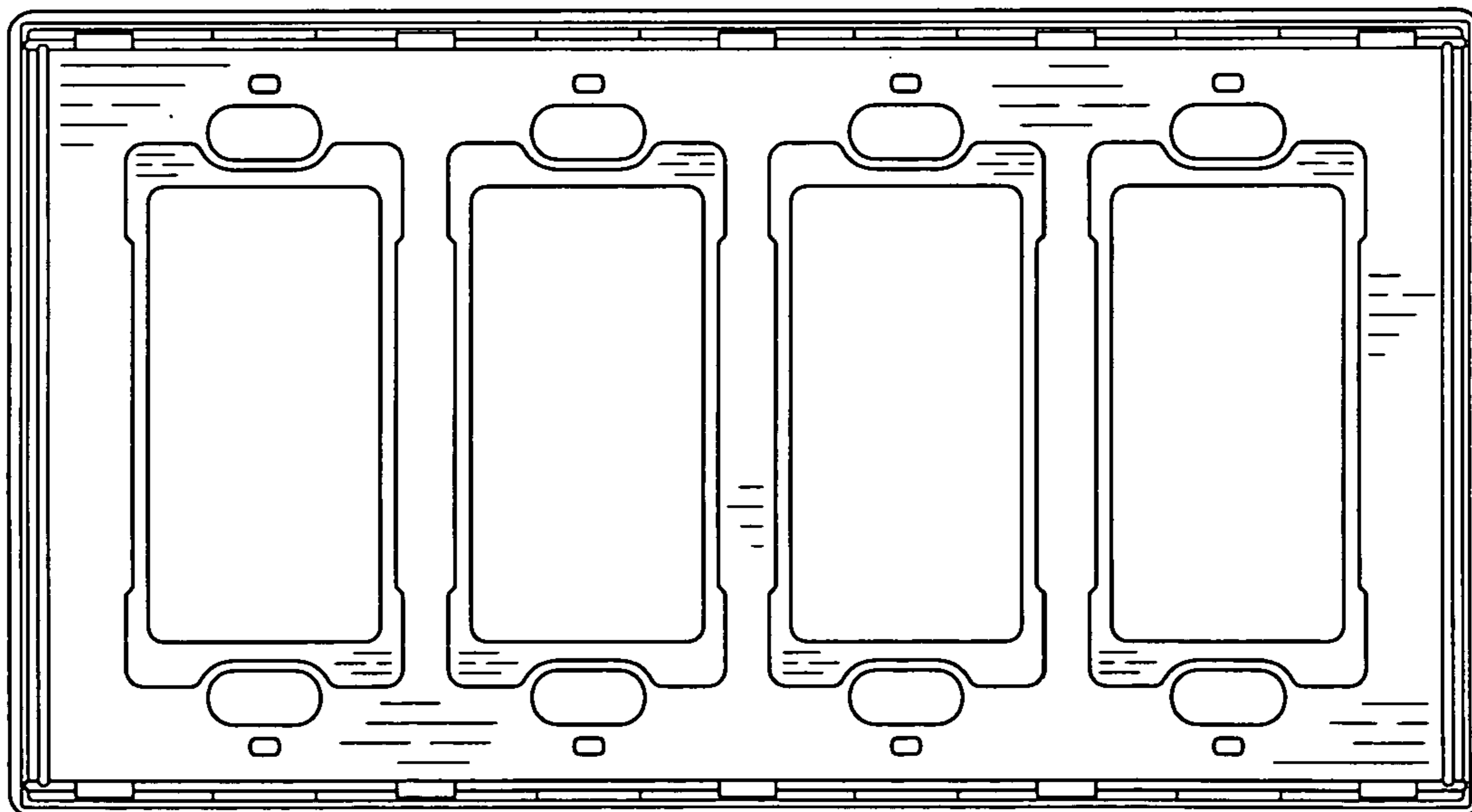


FIG. 20

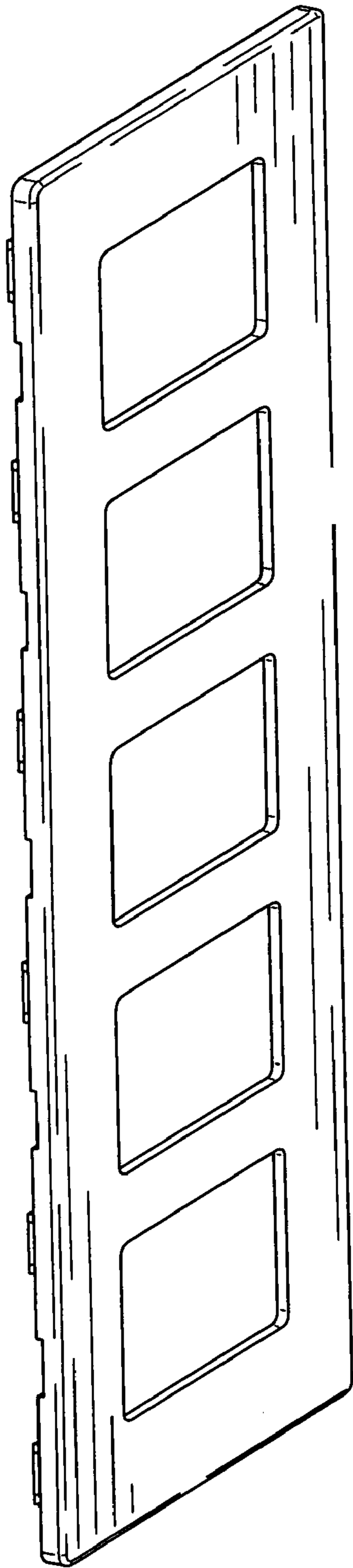


FIG. 21

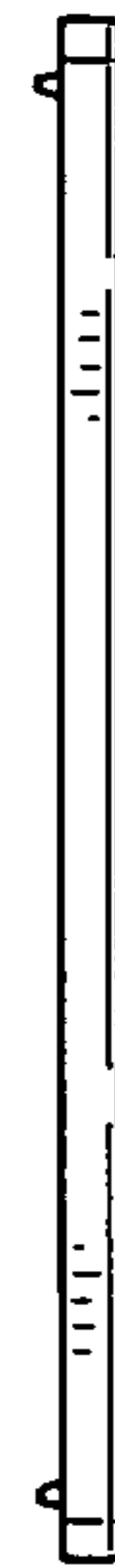


FIG. 22

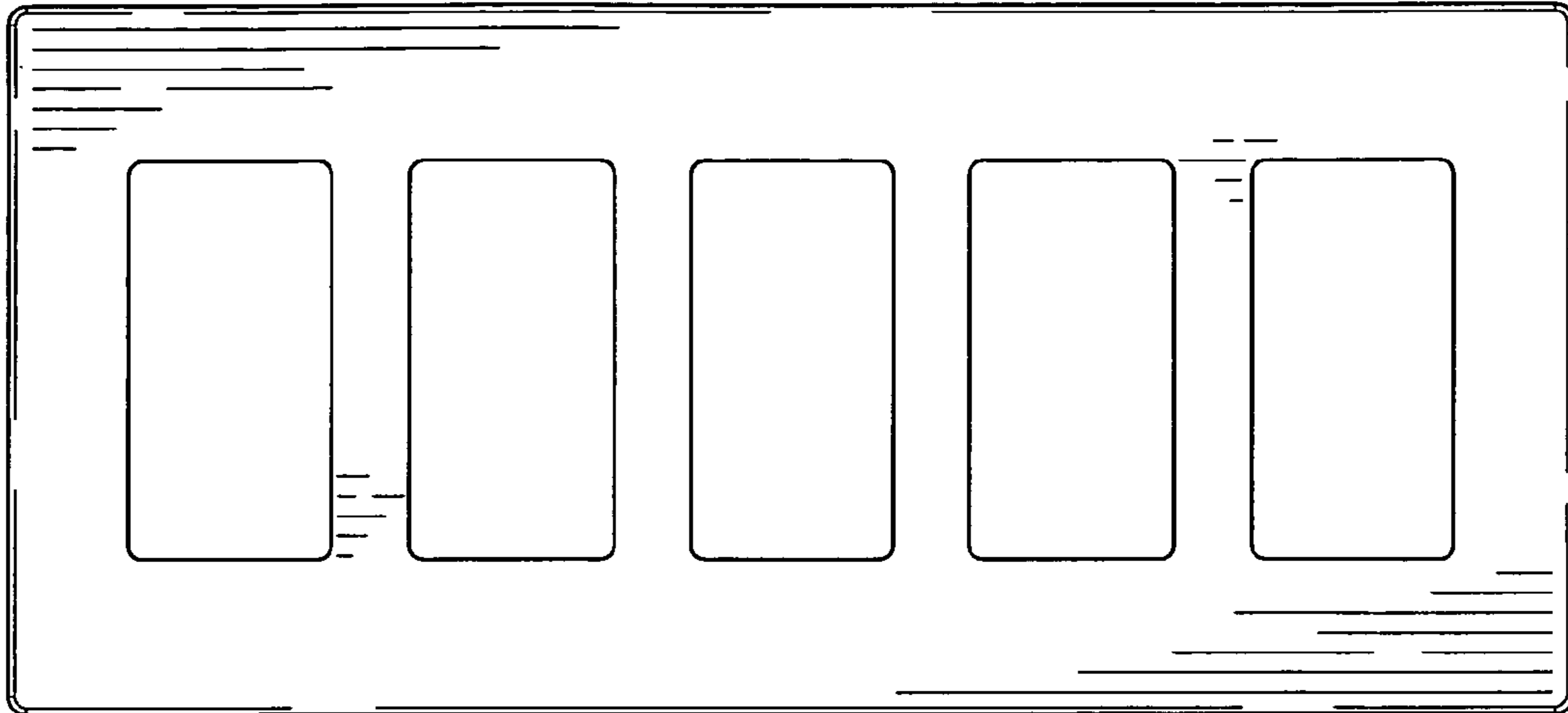


FIG. 23



FIG. 24

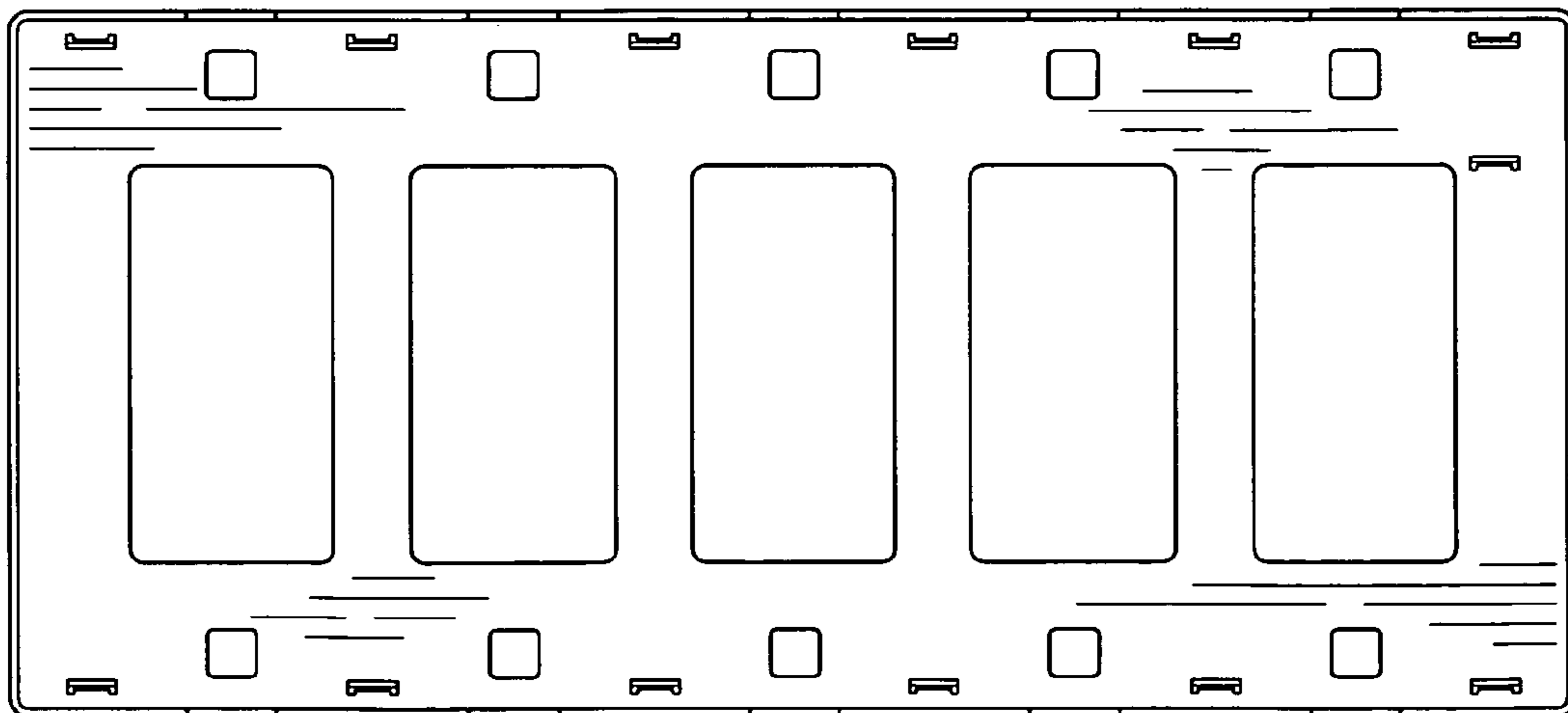


FIG. 25

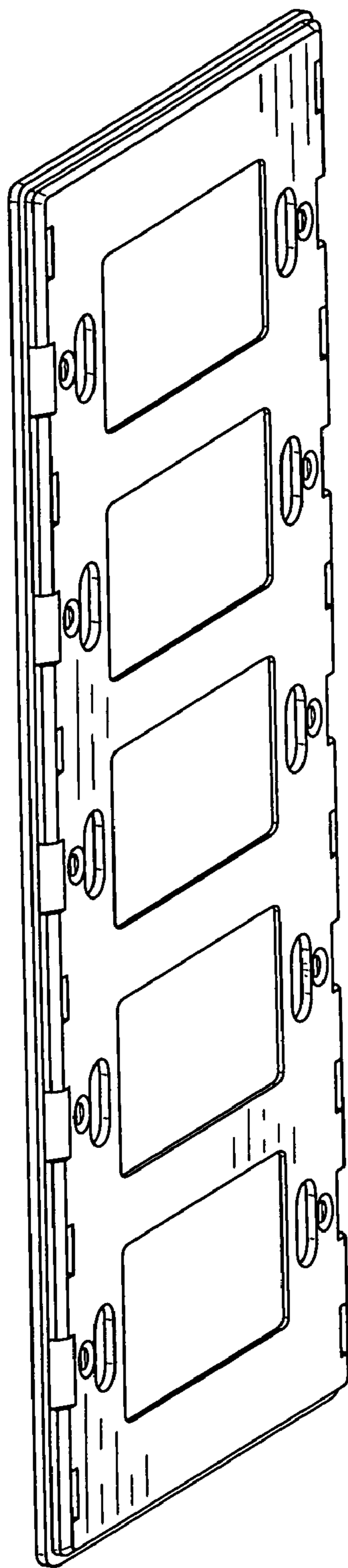


FIG. 26



FIG. 27

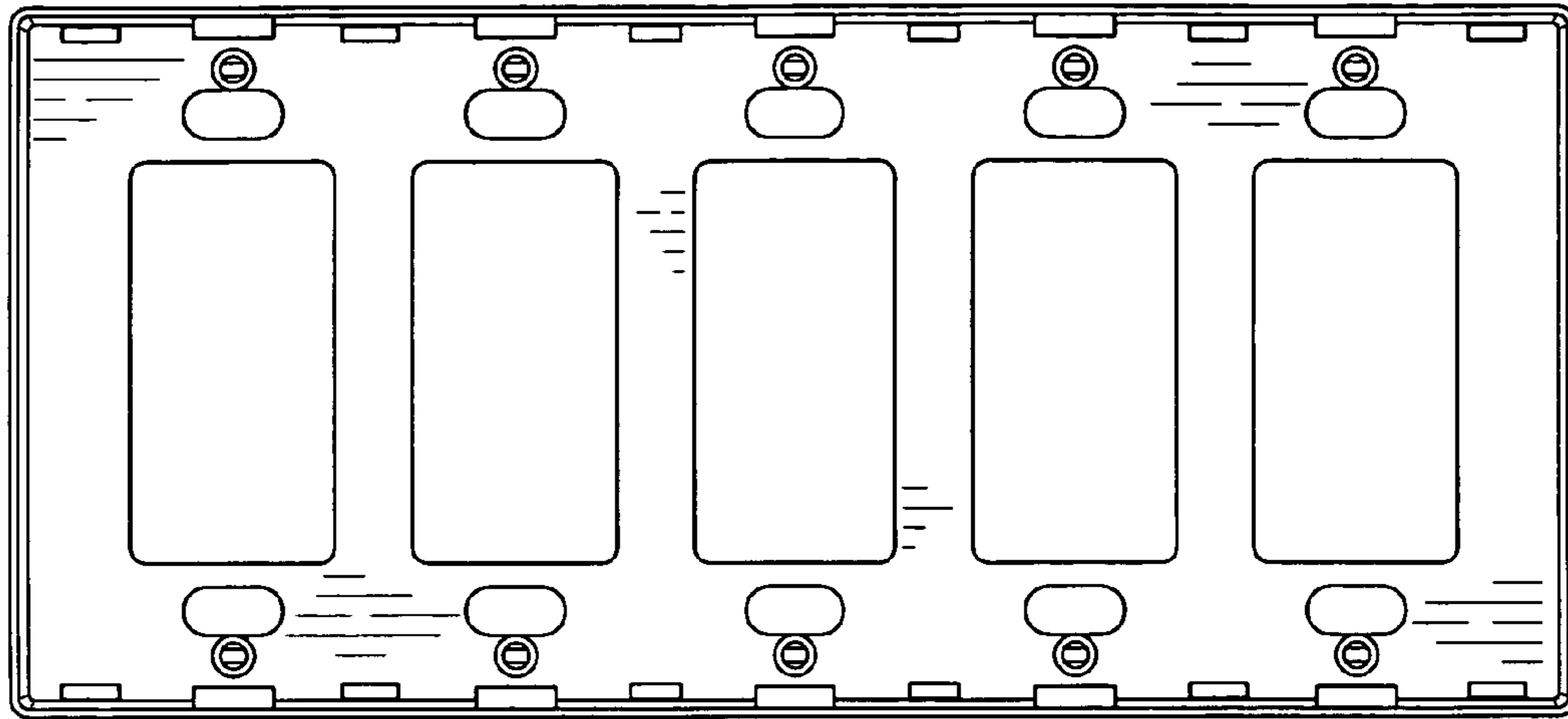


FIG. 28

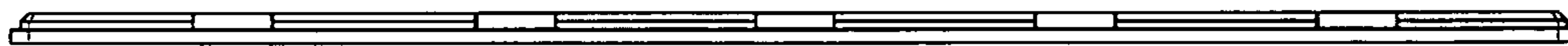


FIG. 29

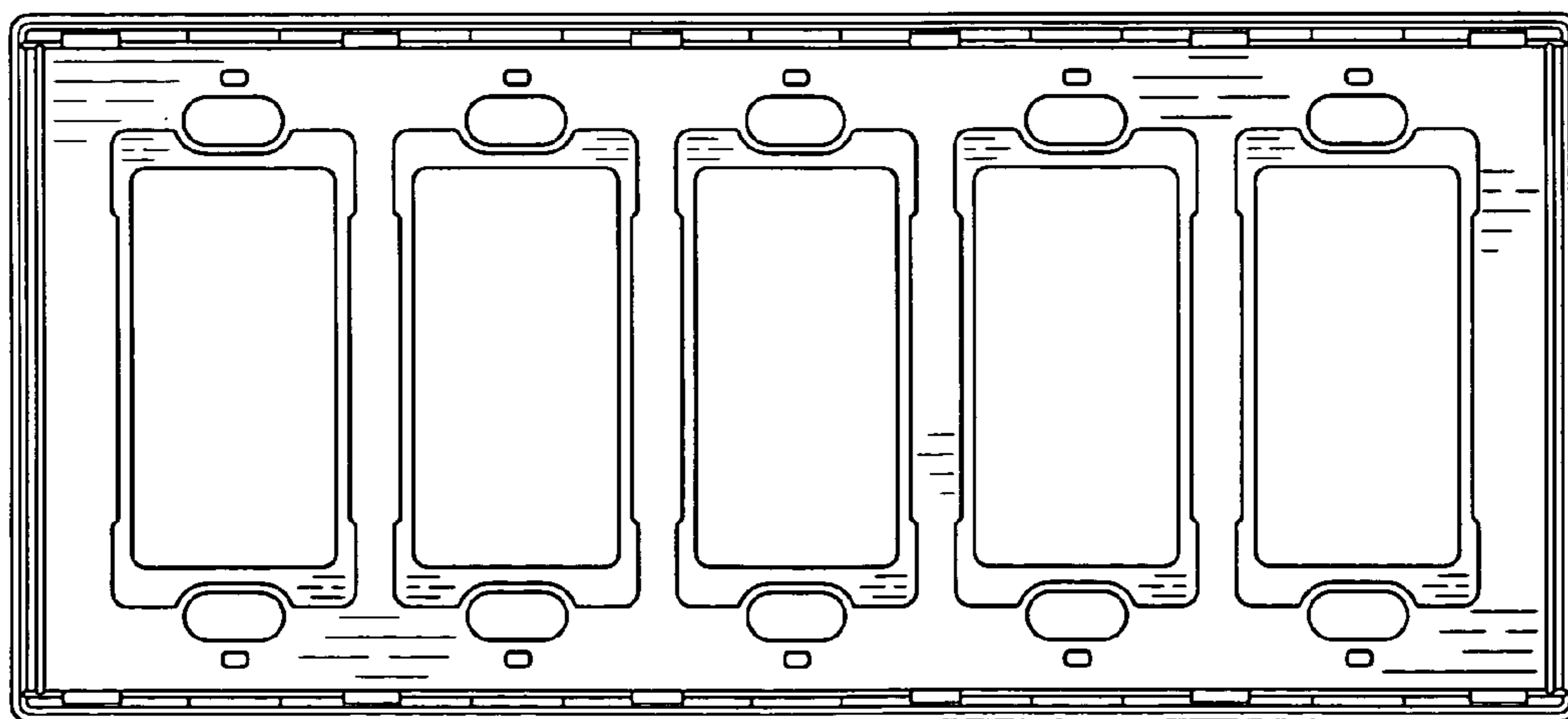


FIG. 30