



US00D583219S

(12) **United States Design Patent**
Dagg

(10) **Patent No.:** **US D583,219 S**

(45) **Date of Patent:** **** Dec. 23, 2008**

(54) **FRAME FITTING**

(75) Inventor: **Hayden Miles Dagg**, Charlestown (AU)

(73) Assignee: **Onesteel Trading Pty Limited**, Sydney, NSW (AU)

(**) Term: **14 Years**

(21) Appl. No.: **29/302,393**

(22) Filed: **Jan. 16, 2008**

Related U.S. Application Data

(62) Division of application No. 29/230,330, filed on May 19, 2005, now Pat. No. Des. 563,776.

(51) **LOC (8) Cl.** **08-05**

(52) **U.S. Cl.** **D8/349**

(58) **Field of Classification Search** D8/349, D8/354; 52/656.4, 655, 317

See application file for complete search history.

(56) **References Cited**

U.S. PATENT DOCUMENTS

3,769,773 A * 11/1973 Mochizuki 52/656.4

4,007,570 A *	2/1977	Hunter	52/317
4,586,310 A *	5/1986	Baril et al.	52/665
4,993,866 A *	2/1991	Sugihara et al.	403/402
D379,295 S *	5/1997	Kopish	D8/349
D422,715 S *	4/2000	Chaney et al.	D25/38
D423,325 S *	4/2000	Liss	D8/349
D457,052 S *	5/2002	Snyder	D8/349
D498,951 S *	11/2004	Yamaguchi	D6/499
D506,381 S *	6/2005	Lu	D8/349

* cited by examiner

Primary Examiner—Holly H Baynham

(74) *Attorney, Agent, or Firm*—Ladas & Parry LLP

(57) **CLAIM**

I claim the ornamental design for a frame fitting, as shown and described.

DESCRIPTION

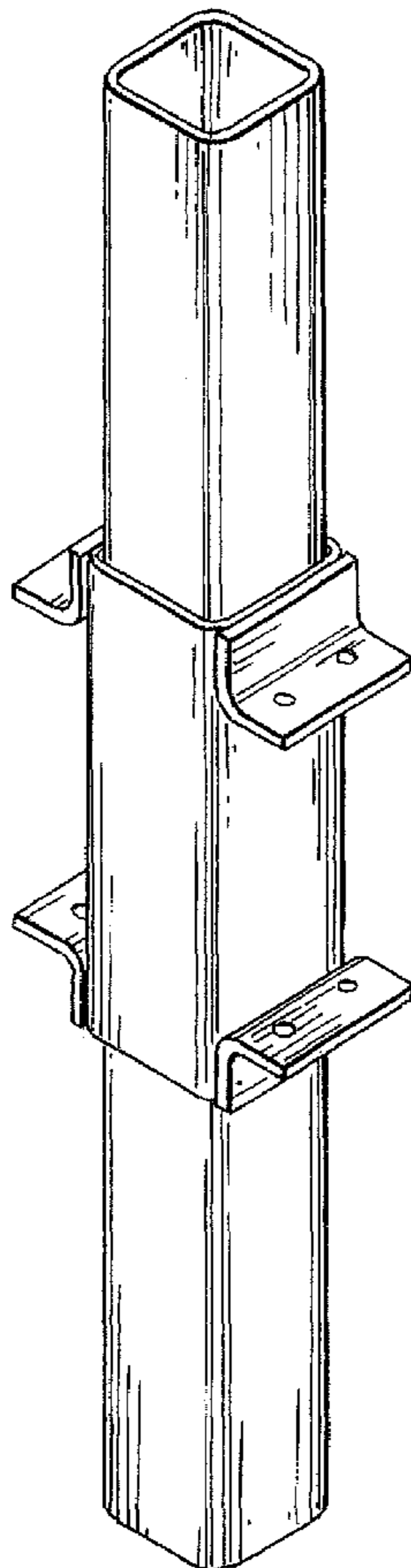
FIG. 1 is a perspective view of a frame fitting showing my new design;

FIG. 2 is a front view of FIG. 1;

FIG. 3 is a left side view of FIG. 1; and,

FIG. 4 is a top view of FIG. 1.

1 Claim, 1 Drawing Sheet



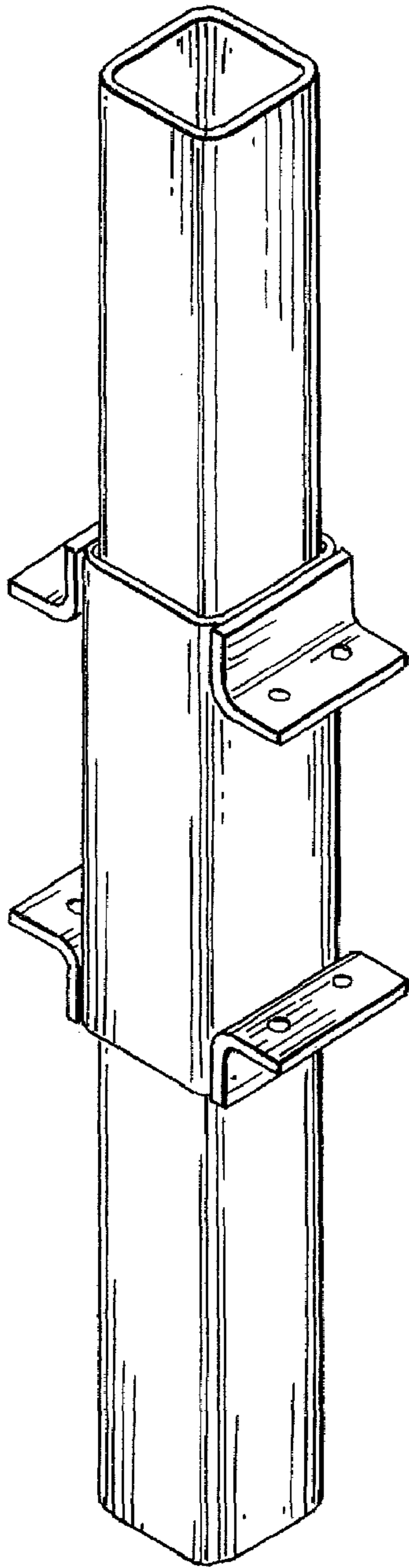


FIG. 1

FIG. 4

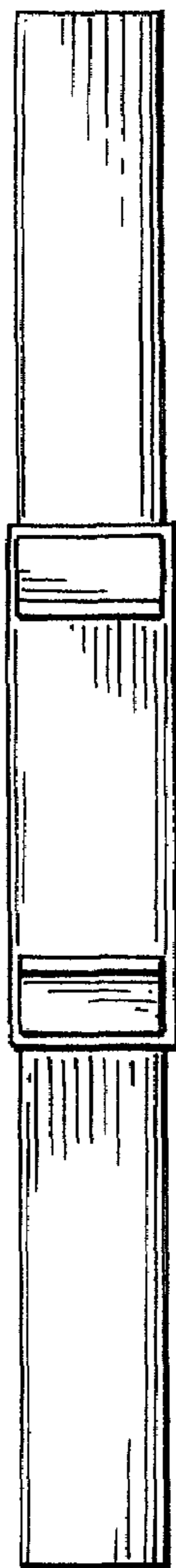
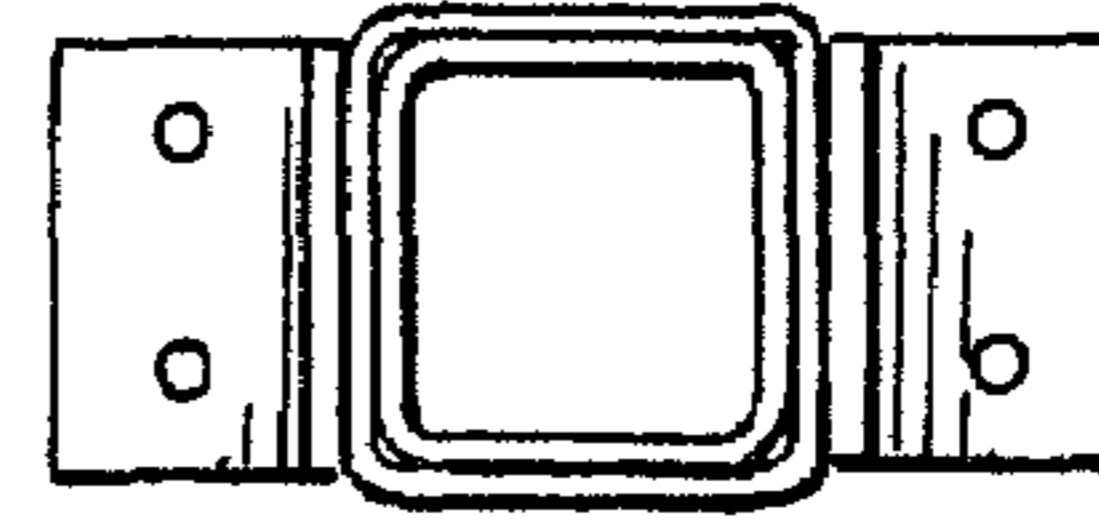


FIG. 3

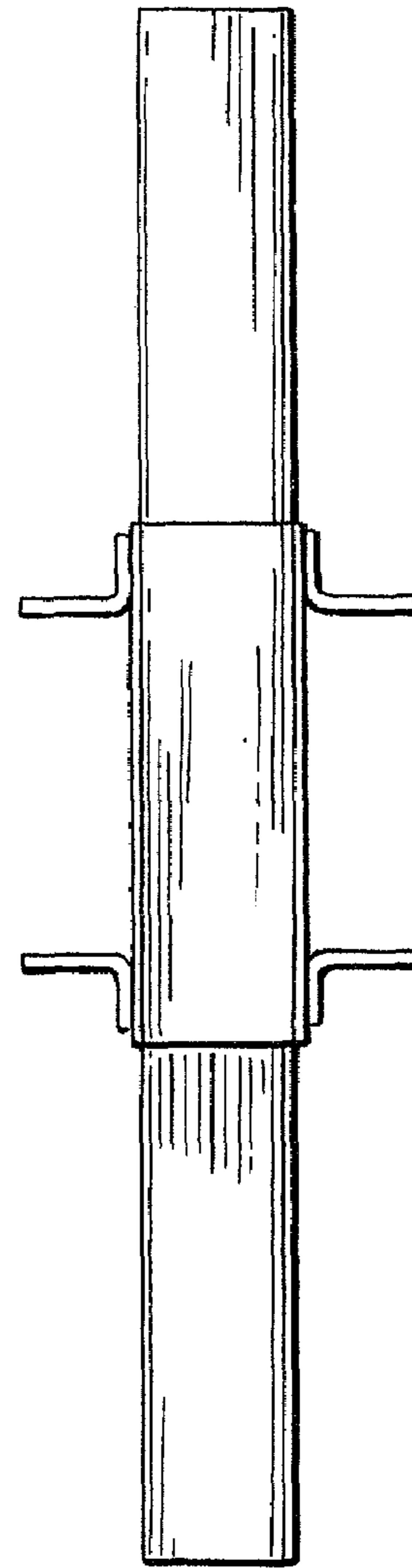


FIG. 2