



US00D583218S

(12) **United States Design Patent**  
**Nave et al.**

(10) **Patent No.:** **US D583,218 S**  
(45) **Date of Patent:** **\*\* Dec. 23, 2008**

- (54) **LOCK**
- (75) Inventors: **Zachery Nave**, Oak Creek, WI (US);  
**Scott Stevens**, Cudahy, WI (US)
- (73) Assignee: **Master Lock Company LLC**, Oak  
Creek, WI (US)
- (\*\*) Term: **14 Years**
- (21) Appl. No.: **29/303,152**
- (22) Filed: **Feb. 1, 2008**

**Related U.S. Application Data**

- (63) Continuation of application No. 29/302,177, filed on  
Jan. 11, 2008, now Pat. No. Des. 573,871.

- (51) **LOC (8) Cl.** ..... **08-07**
- (52) **U.S. Cl.** ..... **D8/346; D8/341; D8/334**
- (58) **Field of Classification Search** ..... **D8/330,**  
**D8/331, 334, 343, 341, 346, 300-302, DIG. 2;**  
**70/14, 20, 22, 24-29, 31, 35-48, 52, 53,**  
**70/54, 445, 449, 450, 451, 431, 330, 332;**  
**D10/50**

See application file for complete search history.

(56) **References Cited**

**U.S. PATENT DOCUMENTS**

- 228,619 A 6/1880 Estes et al.
- 745,064 A 11/1903 Katzenberger
- 825,735 A 7/1906 Katzenberger
- 3,750,431 A 8/1973 Atkinson
- 3,756,046 A 9/1973 Jeh
- 3,952,559 A 4/1976 Atkinson
- 4,197,726 A \* 4/1980 Uyeda ..... 70/332
- D267,526 S \* 1/1983 Figuered ..... D6/537
- 4,404,823 A \* 9/1983 Miller et al. .... 70/333 A
- 4,422,311 A 12/1983 Zabel et al.
- 4,476,698 A 10/1984 Treslo
- D302,237 S \* 7/1989 O'Day ..... D8/330
- 4,895,488 A \* 1/1990 Dobbins et al. .... 414/146
- D369,288 S \* 4/1996 Jensen ..... D8/313

- D373,523 S \* 9/1996 Carsello ..... D8/352
- D406,043 S 2/1999 LeClaire
- 5,984,171 A \* 11/1999 Schwarzli ..... 232/15
- D425,398 S 5/2000 Fiegenger et al.
- 6,298,694 B1 10/2001 Knoll
- D455,638 S \* 4/2002 Livingston et al. .... D8/346
- D458,530 S 6/2002 Grosz et al.
- D476,216 S 6/2003 Vito
- 6,718,803 B2 4/2004 Knoll
- D506,150 S \* 6/2005 Backlund et al. .... D10/50
- D512,900 S 12/2005 Tarter et al.
- D512,901 S \* 12/2005 Haber ..... D8/346
- D516,408 S 3/2006 Kearns et al.
- D517,396 S 3/2006 Tarter et al.
- 7,094,000 B2 \* 8/2006 Akkala et al. .... 404/25
- D535,548 S 1/2007 Lin
- D548,043 S 8/2007 Yang
- 7,264,189 B2 \* 9/2007 Holcomb et al. .... 241/101.1
- D557,107 S 12/2007 Van Handel et al.

\* cited by examiner

*Primary Examiner*—Prabhakar Deshmukh

(74) *Attorney, Agent, or Firm*—Calfee, Halter & Griswold  
LLP

(57) **CLAIM**

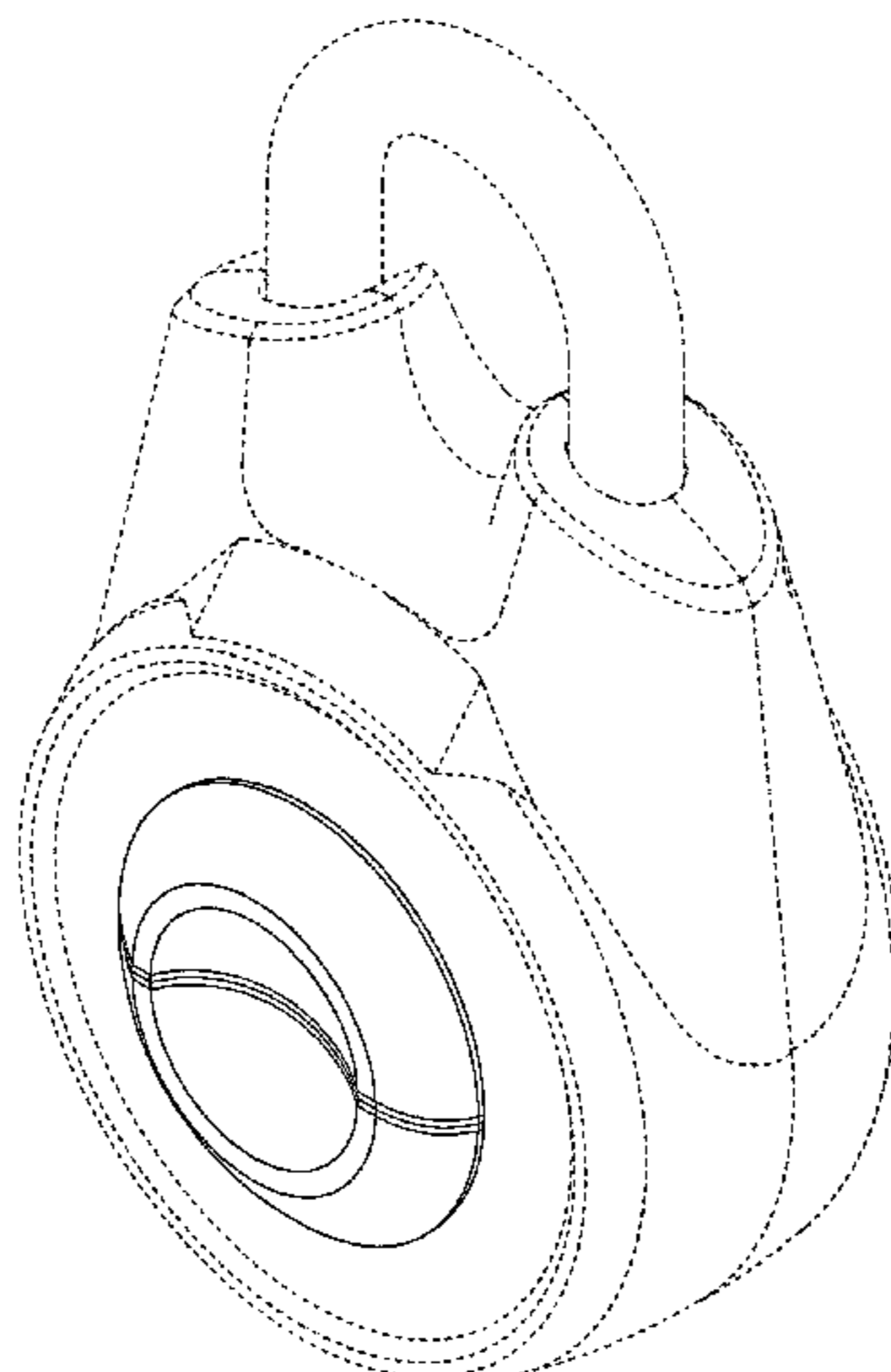
We claim the ornamental design for a lock, as shown and  
described.

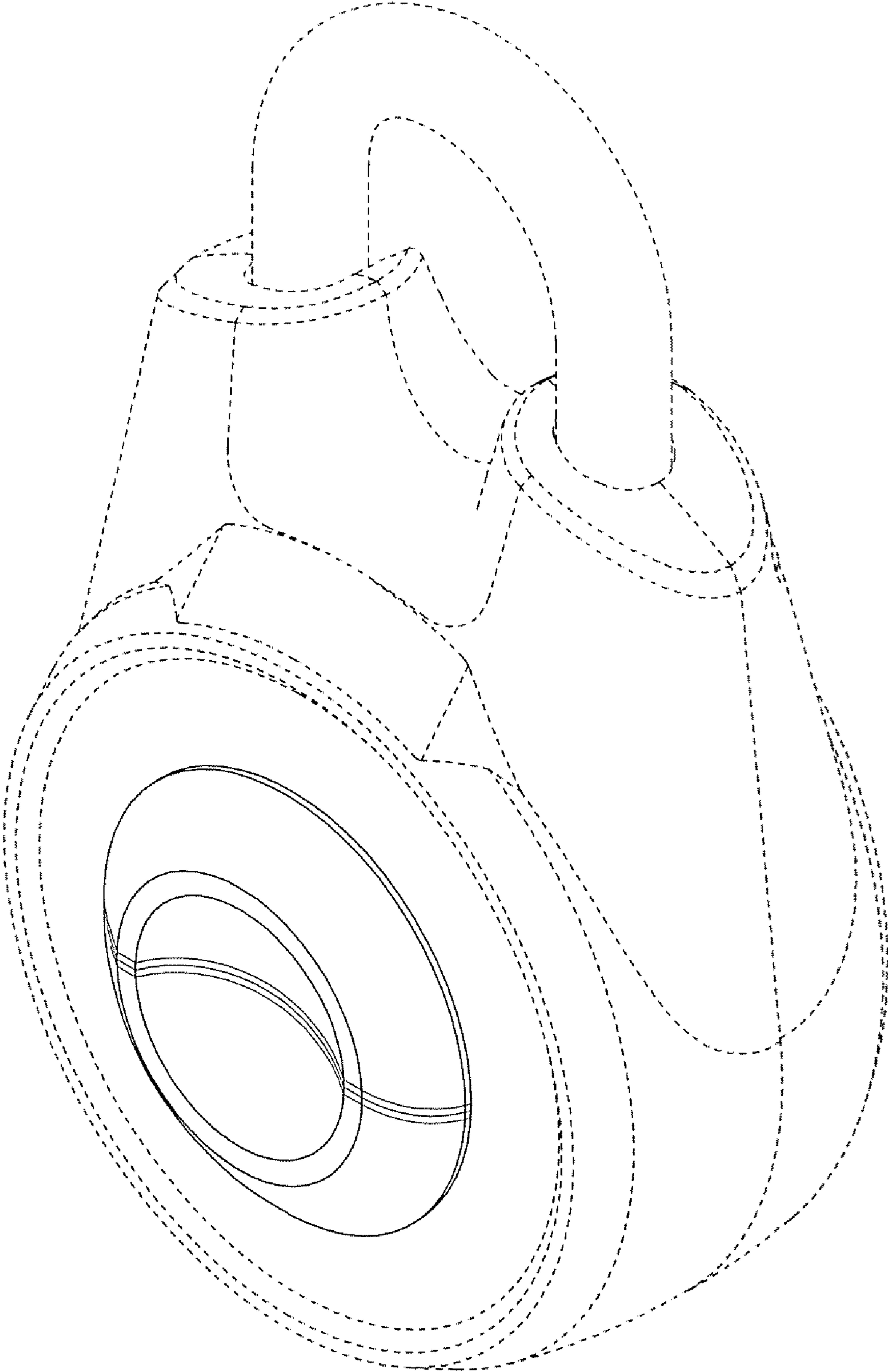
**DESCRIPTION**

FIG. 1 is a perspective view of a lock showing our new design;  
FIG. 2 is a top view of the lock of FIG. 1;  
FIG. 3 is a front view of the lock of FIG. 1;  
FIG. 4 is a rear view of the lock of FIG. 1;  
FIG. 5 is a bottom view of the lock of FIG. 1;  
FIG. 6 is a right side view of the lock of FIG. 1; and,  
FIG. 7 is a left side view of the lock of FIG. 1.

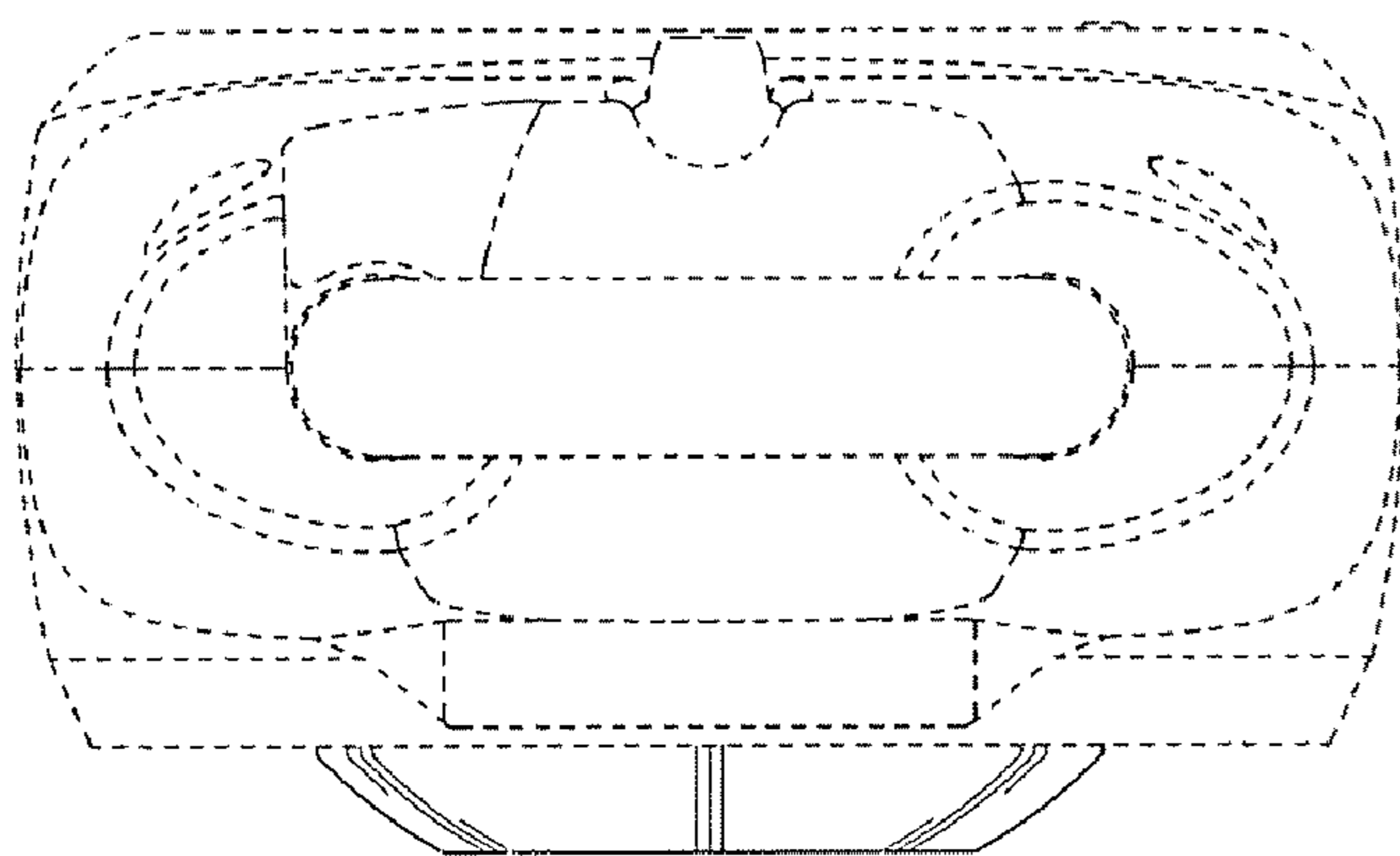
The portions of the Figures shown in broken lines are not part  
of the claimed design and are for illustration only.

**1 Claim, 4 Drawing Sheets**

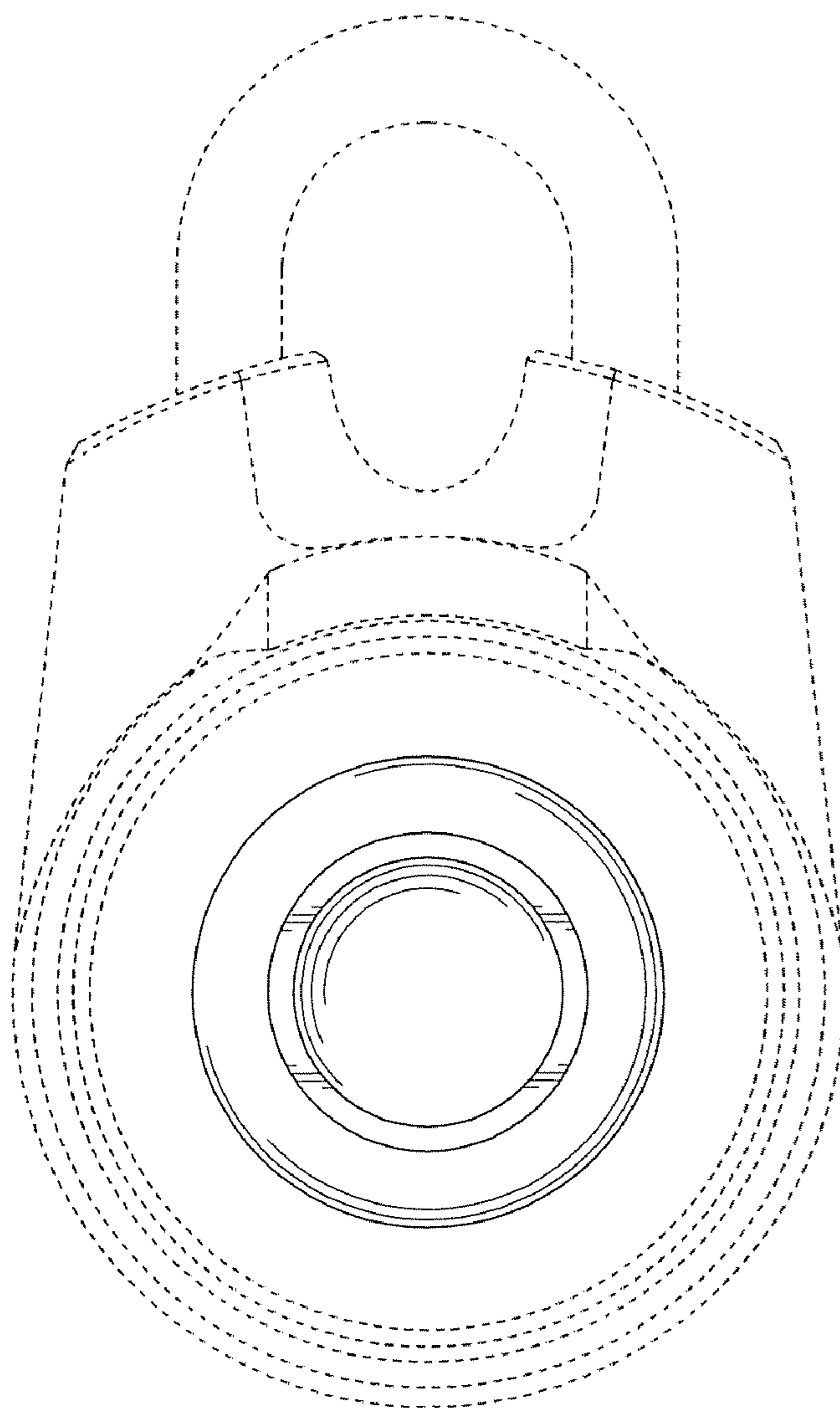




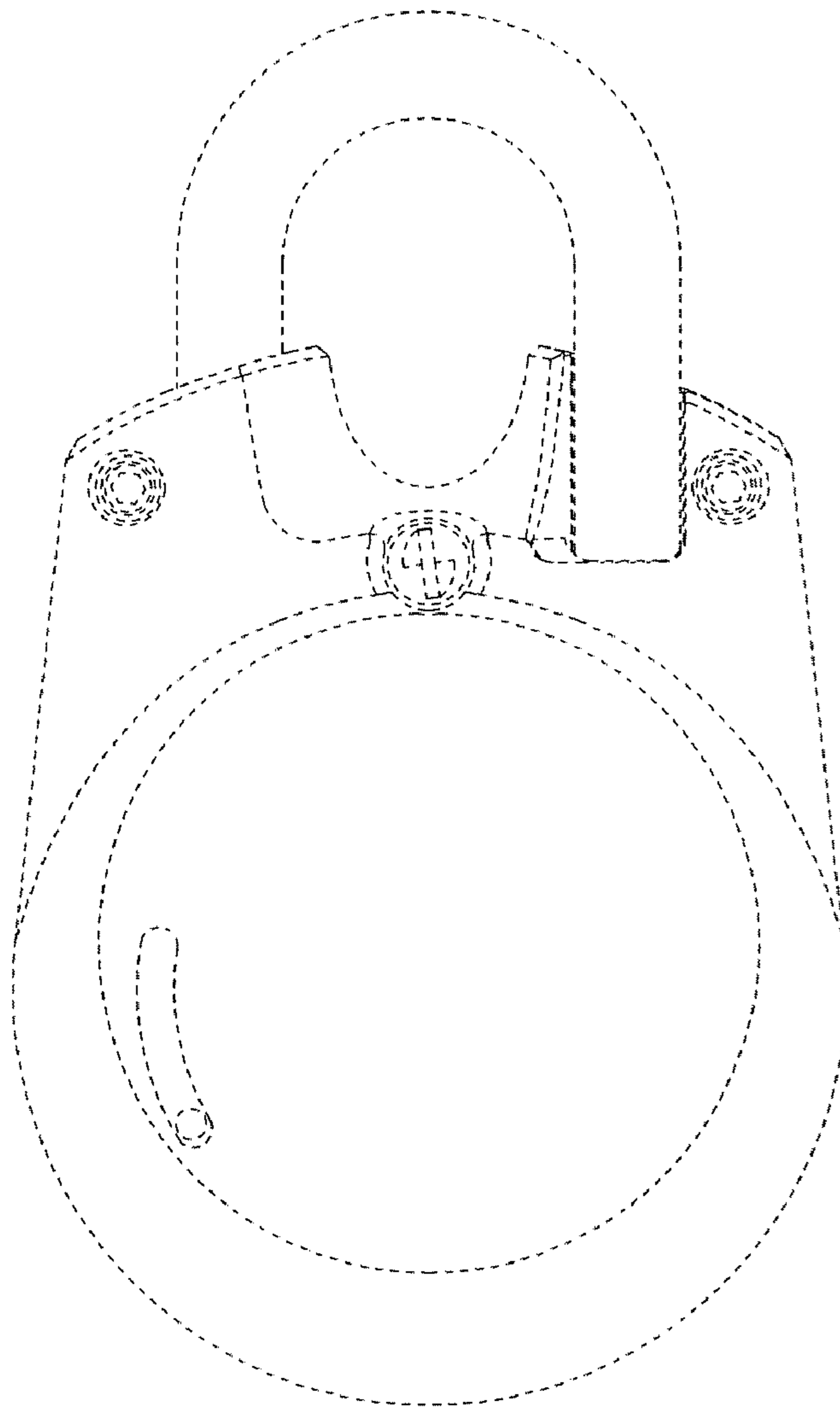
**FIG. 1**



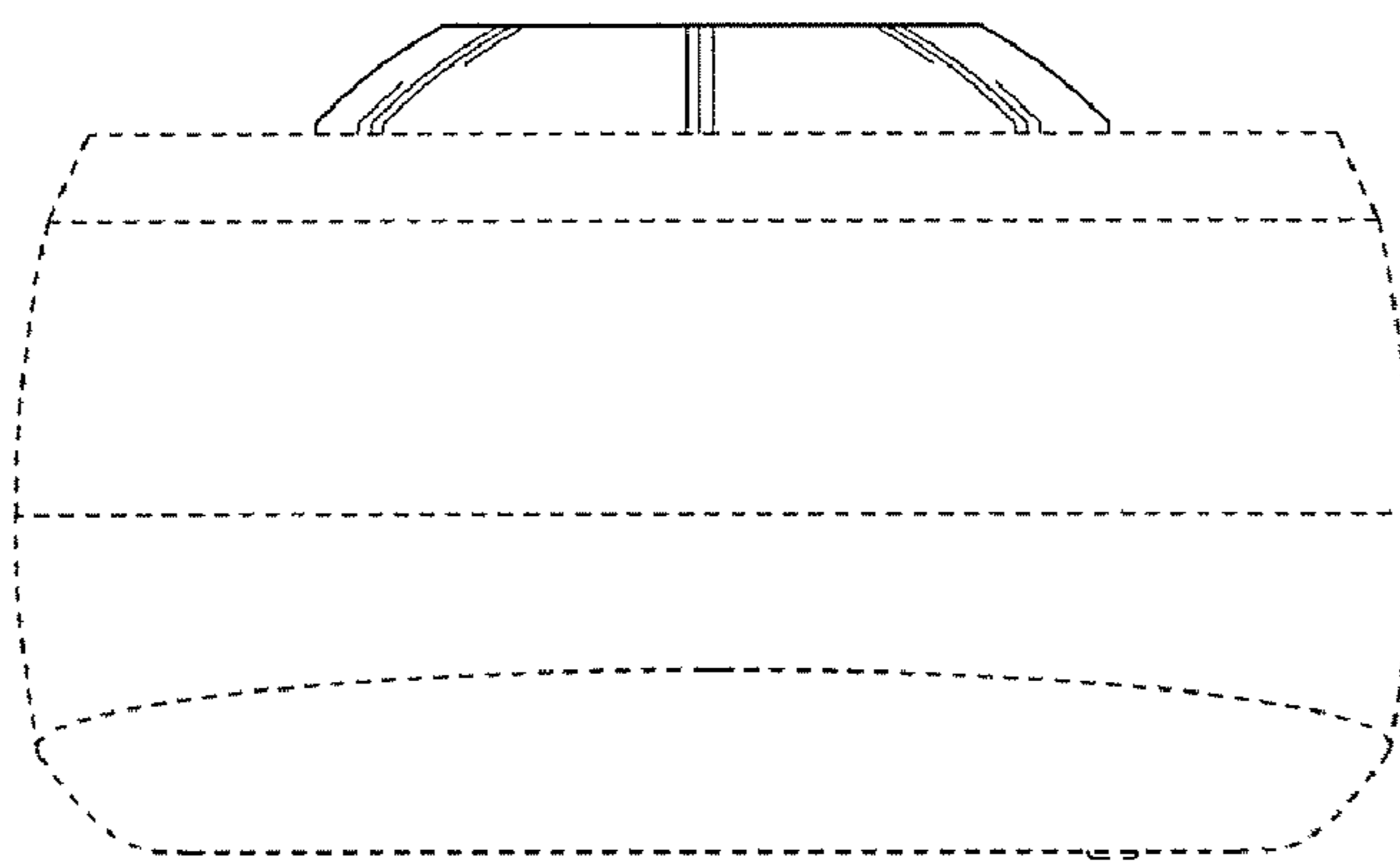
**FIG. 2**



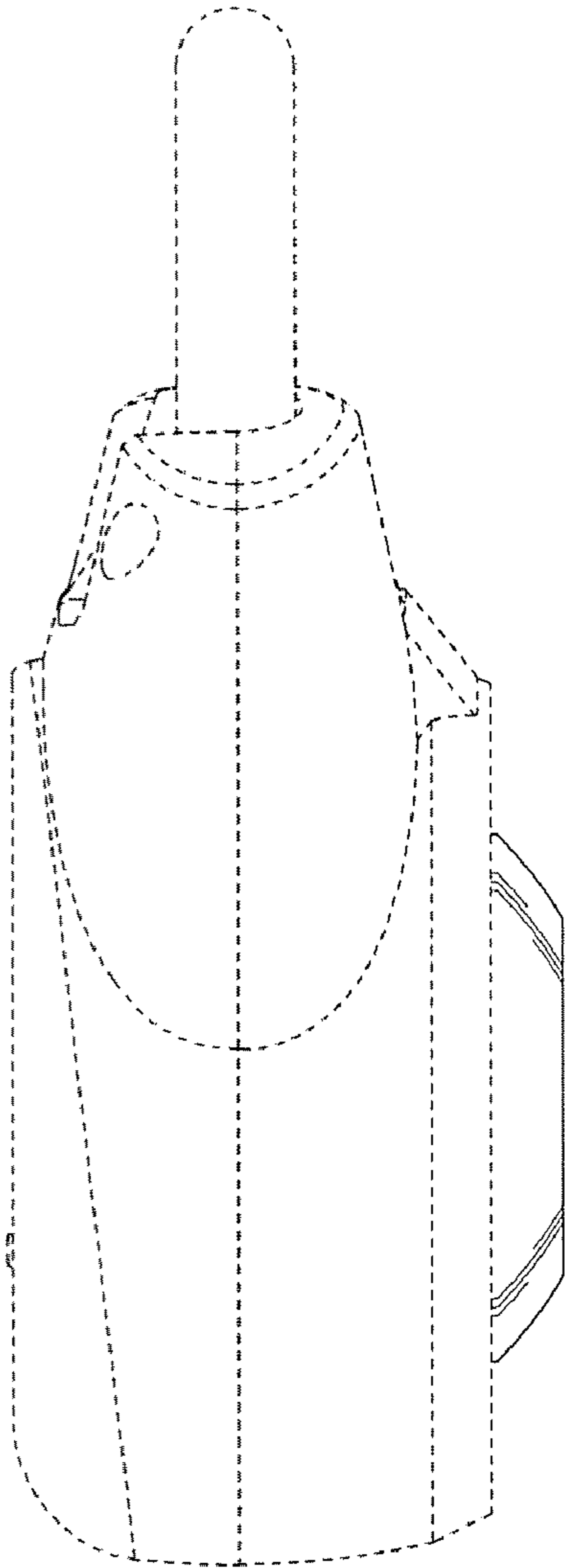
**FIG. 3**



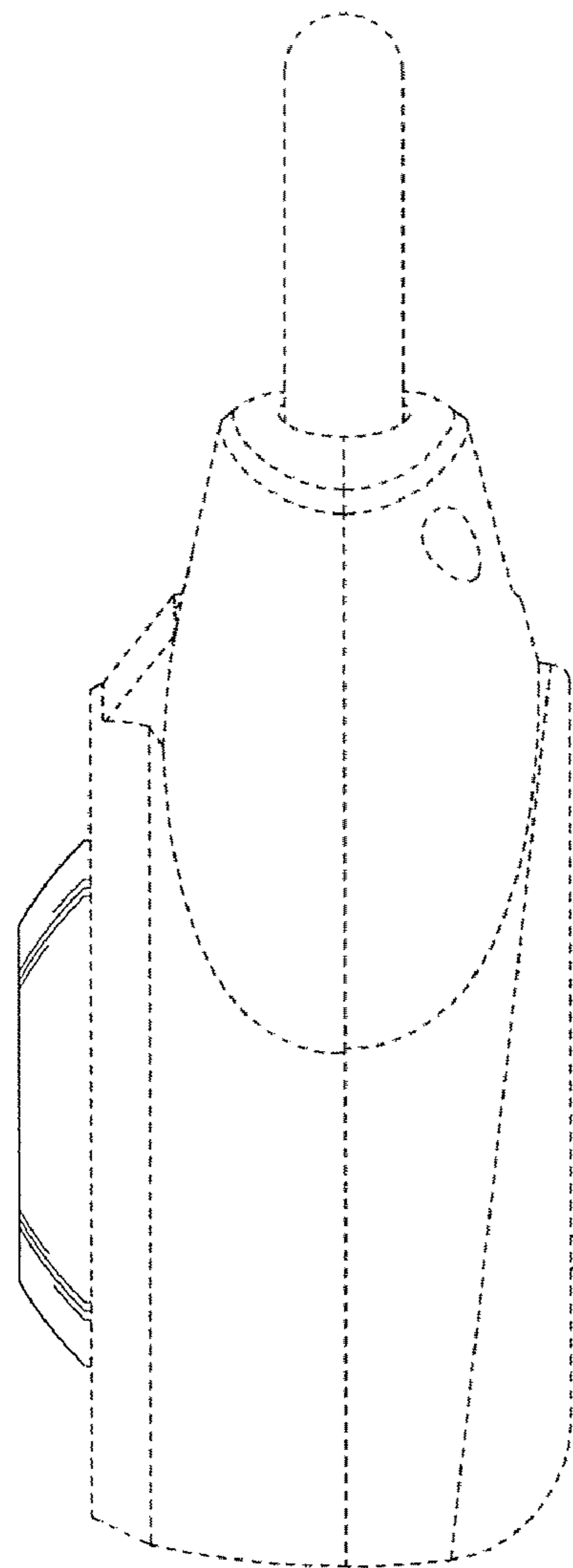
**FIG. 4**



**FIG. 5**



**FIG. 6**



**FIG. 7**