



US00D583217S

(12) **United States Design Patent**  
**Voight**

(10) **Patent No.:** **US D583,217 S**

(45) **Date of Patent:** **\*\* Dec. 23, 2008**

(54) **GATE LATCH**

(76) **Inventor:** **Jerad Voight**, 627 Coulee Dr., Bozeman, MT (US) 59718

(\*\*) **Term:** **14 Years**

(21) **Appl. No.:** **29/296,907**

(22) **Filed:** **Oct. 31, 2007**

(51) **LOC (8) Cl.** ..... **08-07**

(52) **U.S. Cl.** ..... **D8/343**

(58) **Field of Classification Search** ..... D8/330-348,  
D8/302, 349; 70/137, 141, 190, DIG. 80;  
292/32, 56, 246, 63, 95, 109-113, 121, 122,  
292/194, 217, 235, 236, 358, 359, DIG. 26,  
292/DIG. 29, DIG. 30

See application file for complete search history.

(56) **References Cited**

**U.S. PATENT DOCUMENTS**

1,141,080	A	5/1915	Swank	
1,174,629	A	3/1916	Slauson	
1,307,789	A	6/1919	Newman	
1,620,134	A	3/1927	Schley	
D170,726	S	10/1953	Stahl	
D203,553	S	1/1966	Karns	
D216,293	S	12/1969	Blackston	
3,907,345	A *	9/1975	Martini	292/68
4,135,747	A	1/1979	Melilli	
5,103,658	A *	4/1992	McQuade	70/77
D394,796	S *	6/1998	Alford et al.	D8/331
D395,223	S *	6/1998	Everly	D8/336
D396,794	S *	8/1998	Francom	D8/336
D452,641	S *	1/2002	Portenier	D8/341
6,422,613	B1 *	7/2002	Boroviak	292/100
6,752,438	B2 *	6/2004	DeSouza	292/238
7,264,286	B2 *	9/2007	Thompson	292/300

D556,539	S *	12/2007	Kiraly et al.	D8/331
2006/0103142	A1 *	5/2006	Talpe	292/164
2007/0120379	A1 *	5/2007	Thompson	292/300

\* cited by examiner

*Primary Examiner*—Prabhakar Deshmukh

(74) *Attorney, Agent, or Firm*—Antoinette M. Tease

(57) **CLAIM**

The ornamental design for a gate latch, as shown and described.

**DESCRIPTION**

FIG. 1 is a top perspective view of a gate latch showing my new design.

FIG. 2 is a bottom perspective view of a gate latch showing my new design.

FIG. 3 is a rear elevation view of a gate latch showing my new design.

FIG. 4 is a front elevation view of a gate latch showing my new design.

FIG. 5 is a top elevation view of a gate latch showing my new design.

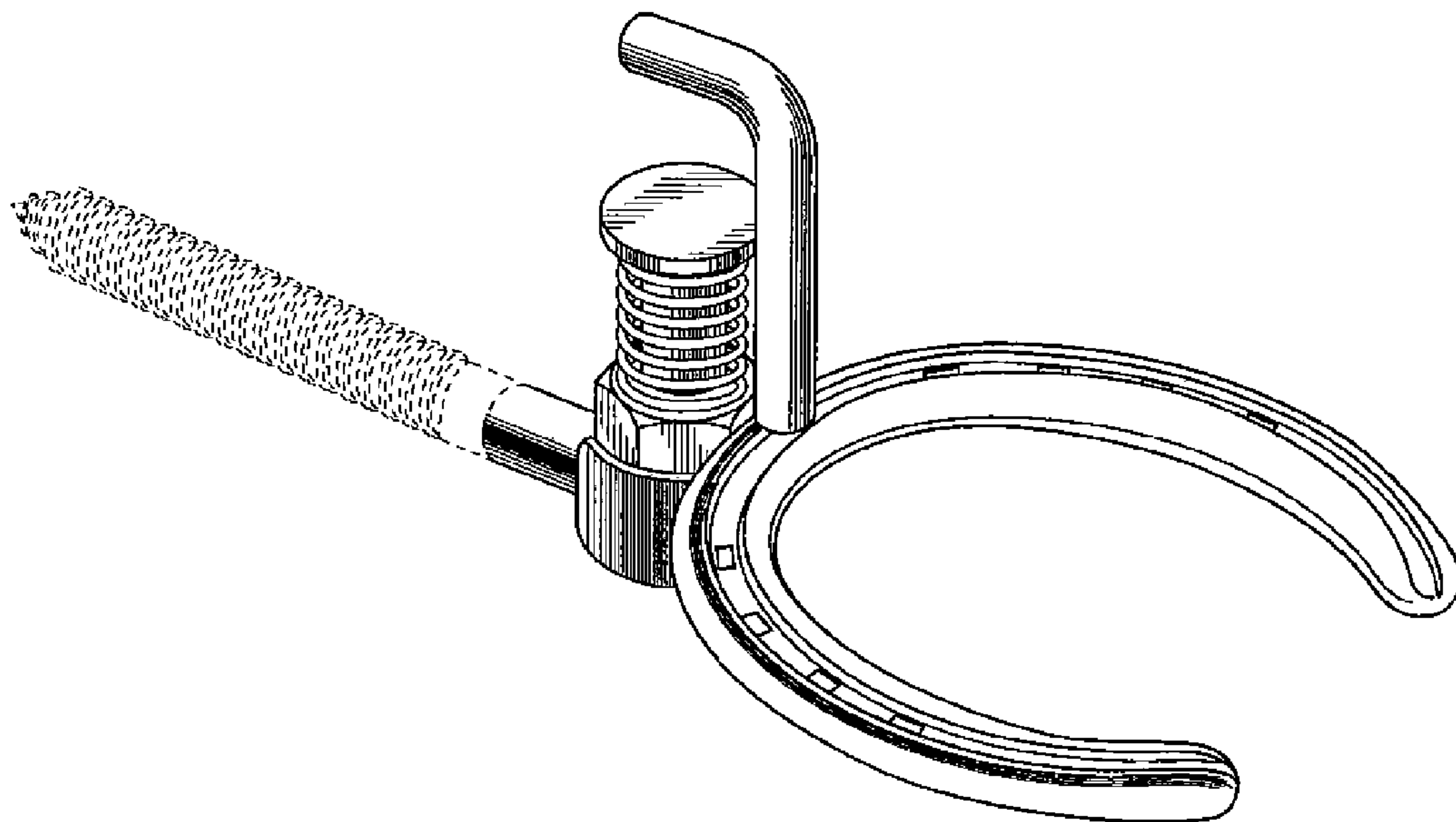
FIG. 6 is a bottom elevation view of a gate latch showing my new design.

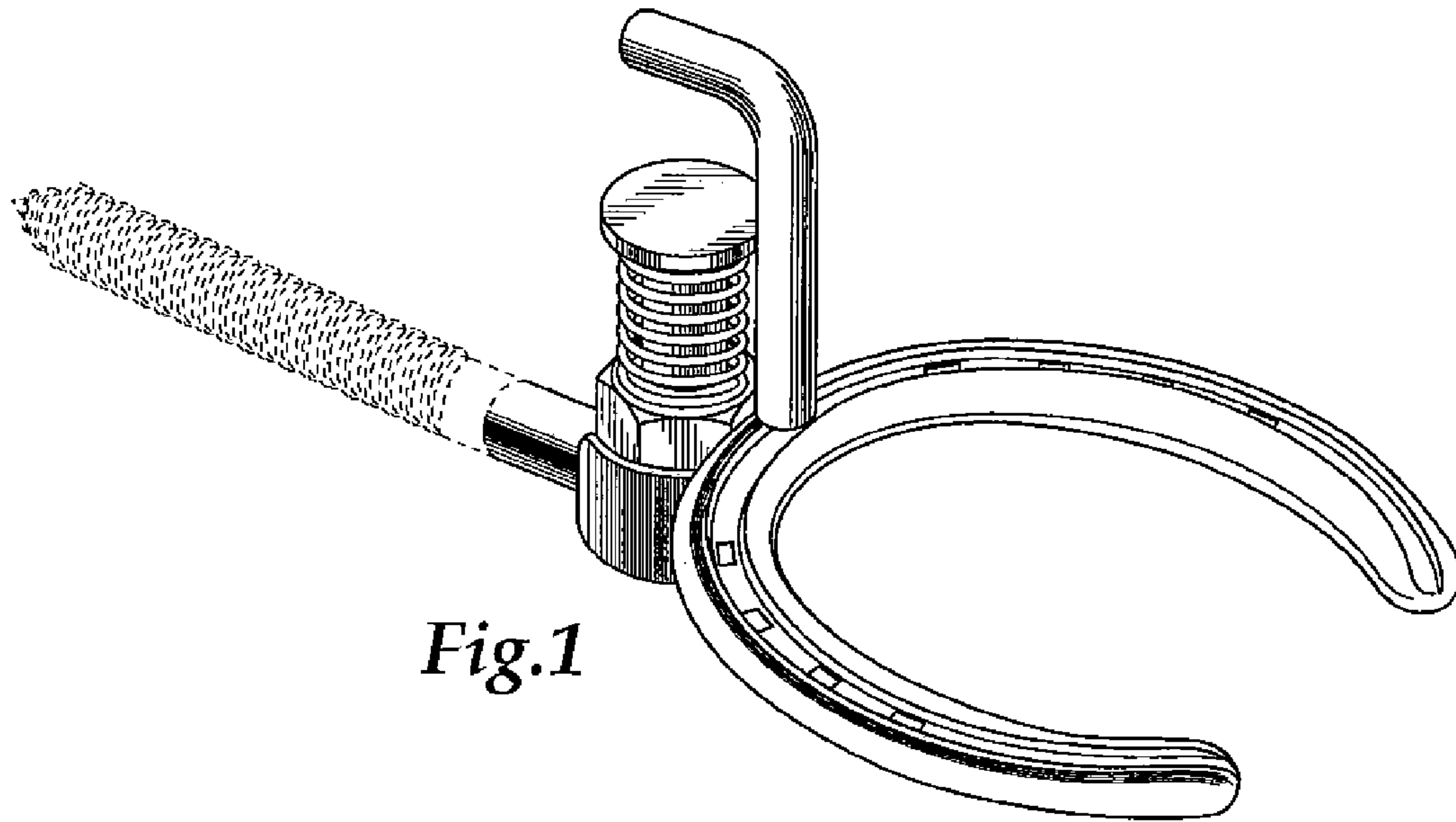
FIG. 7 is a first side elevation view of a gate latch showing my new design; and,

FIG. 8 is a second side elevation view of a gate latch showing my new design.

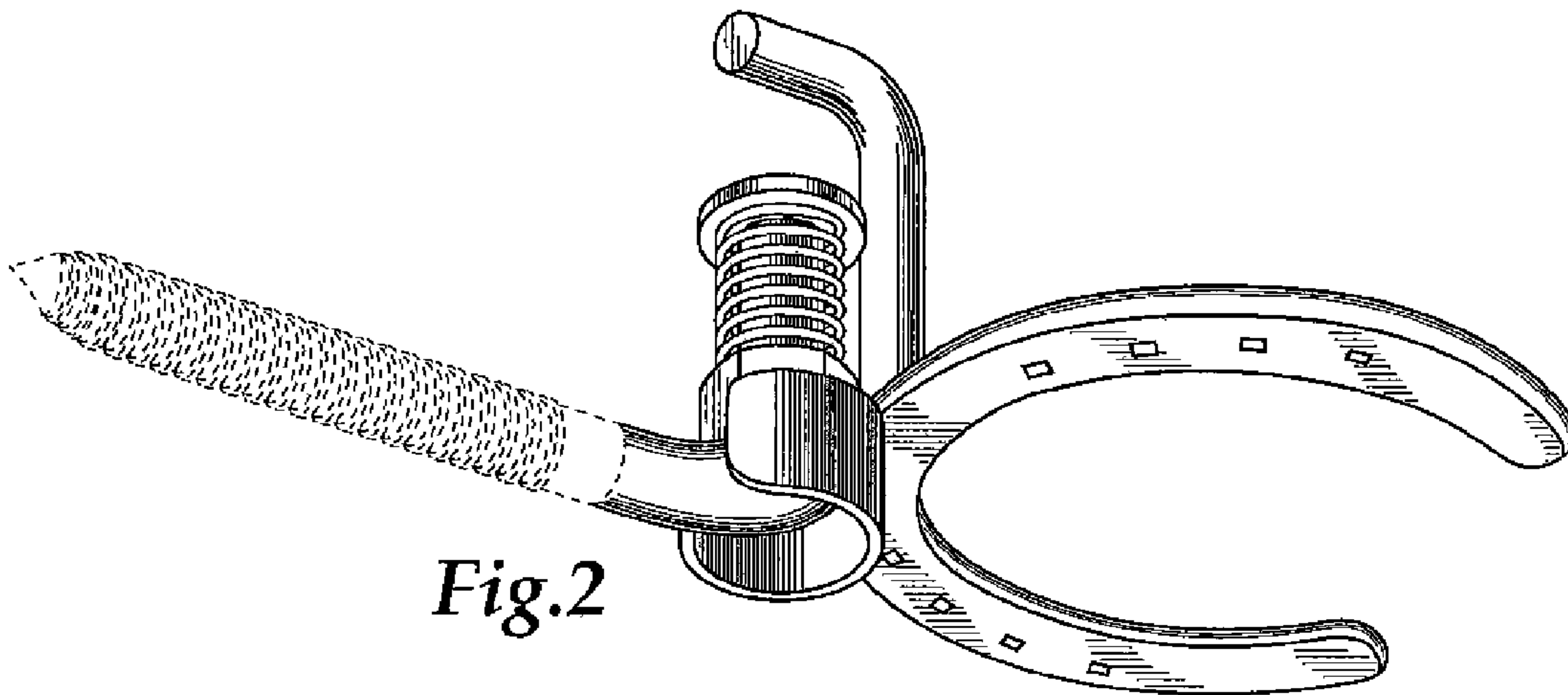
The broken lines, which define the bounds of the claimed design, form no part thereof. The broken lines environmental are for illustrative purposes only and form no part of the claimed design.

**1 Claim, 2 Drawing Sheets**

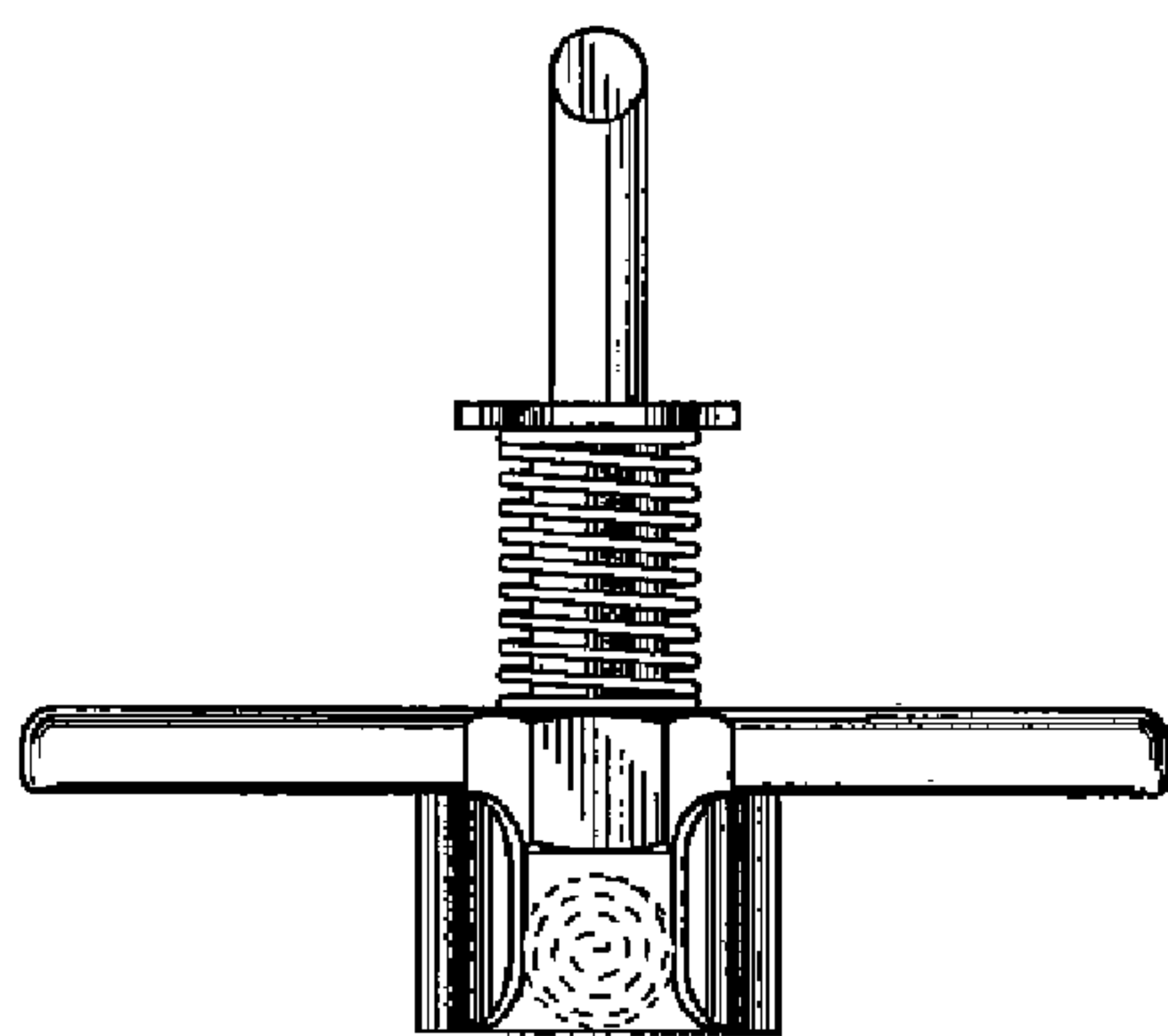




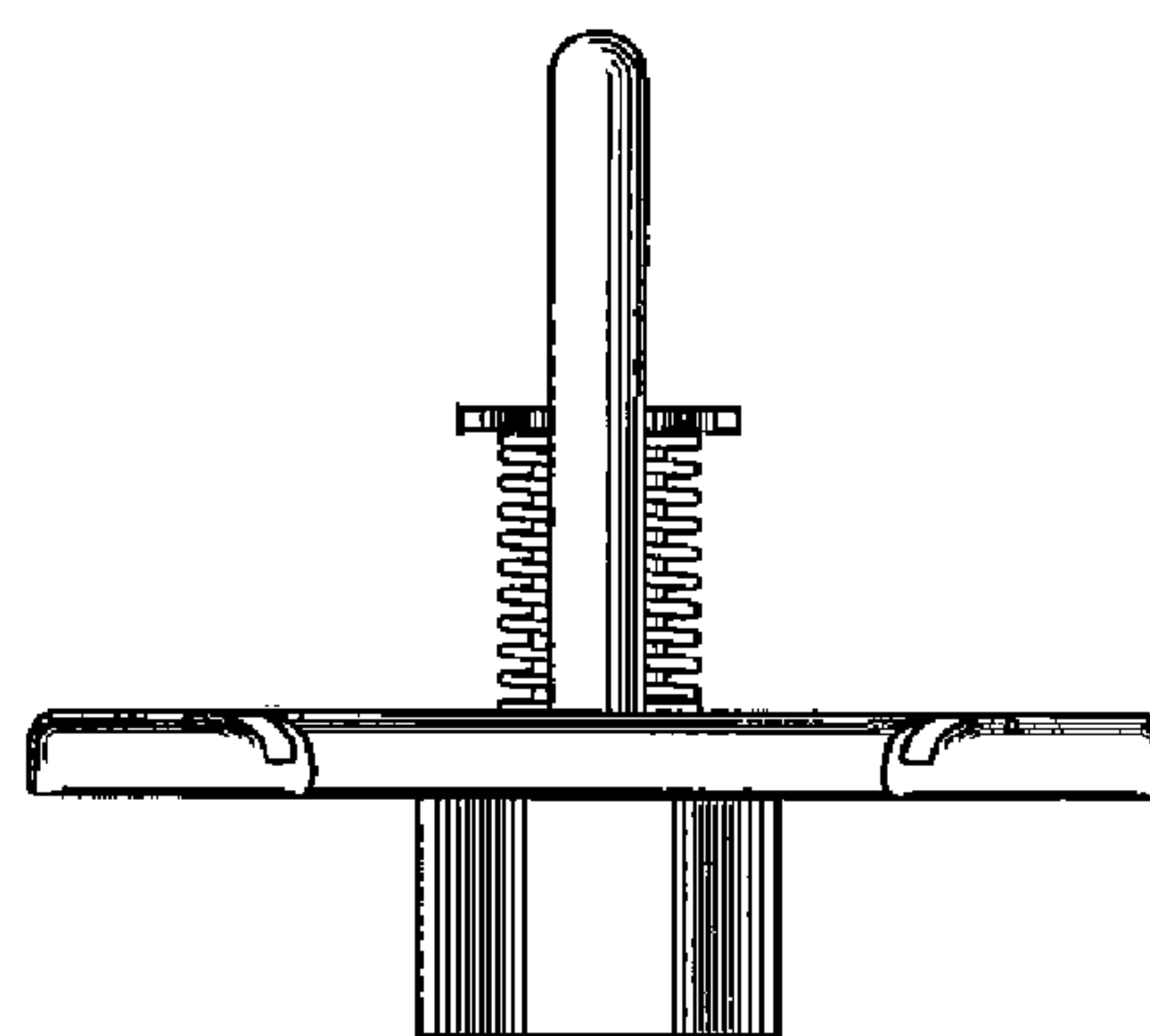
*Fig.1*



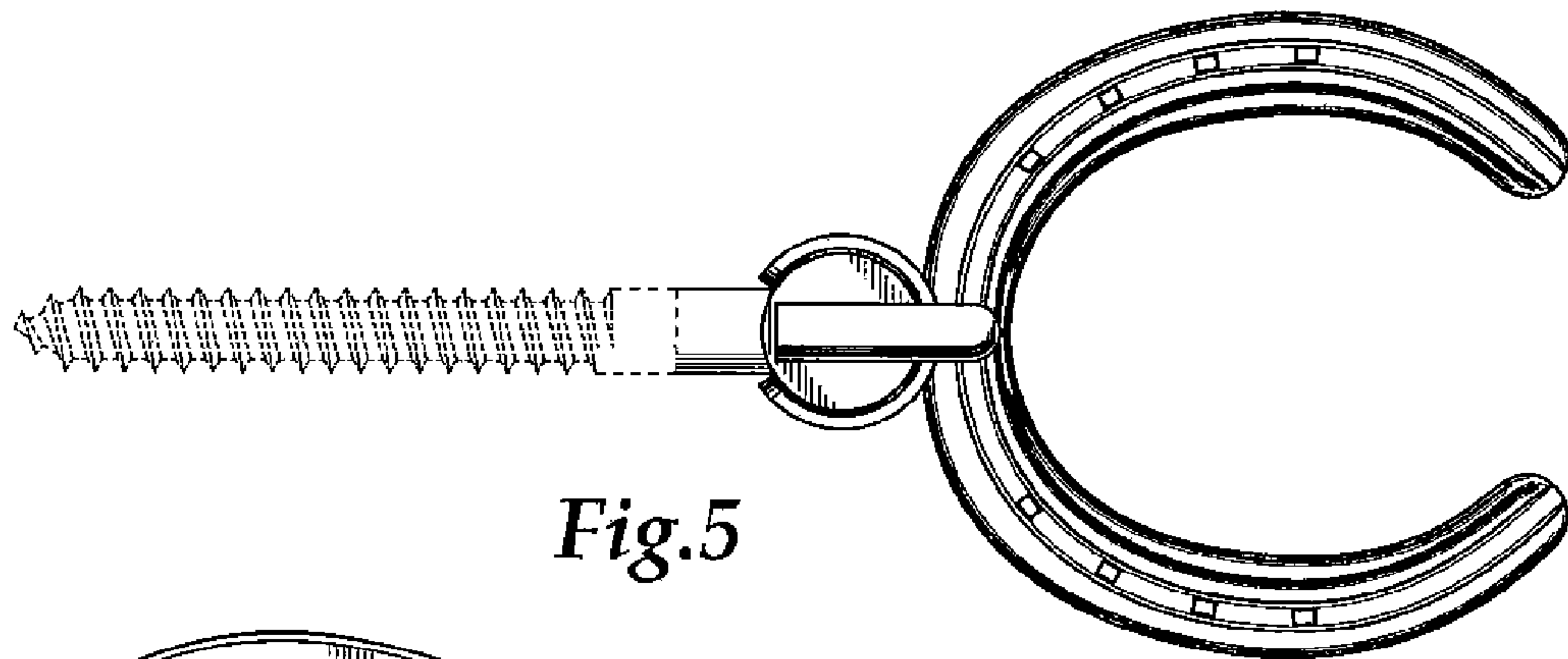
*Fig.2*



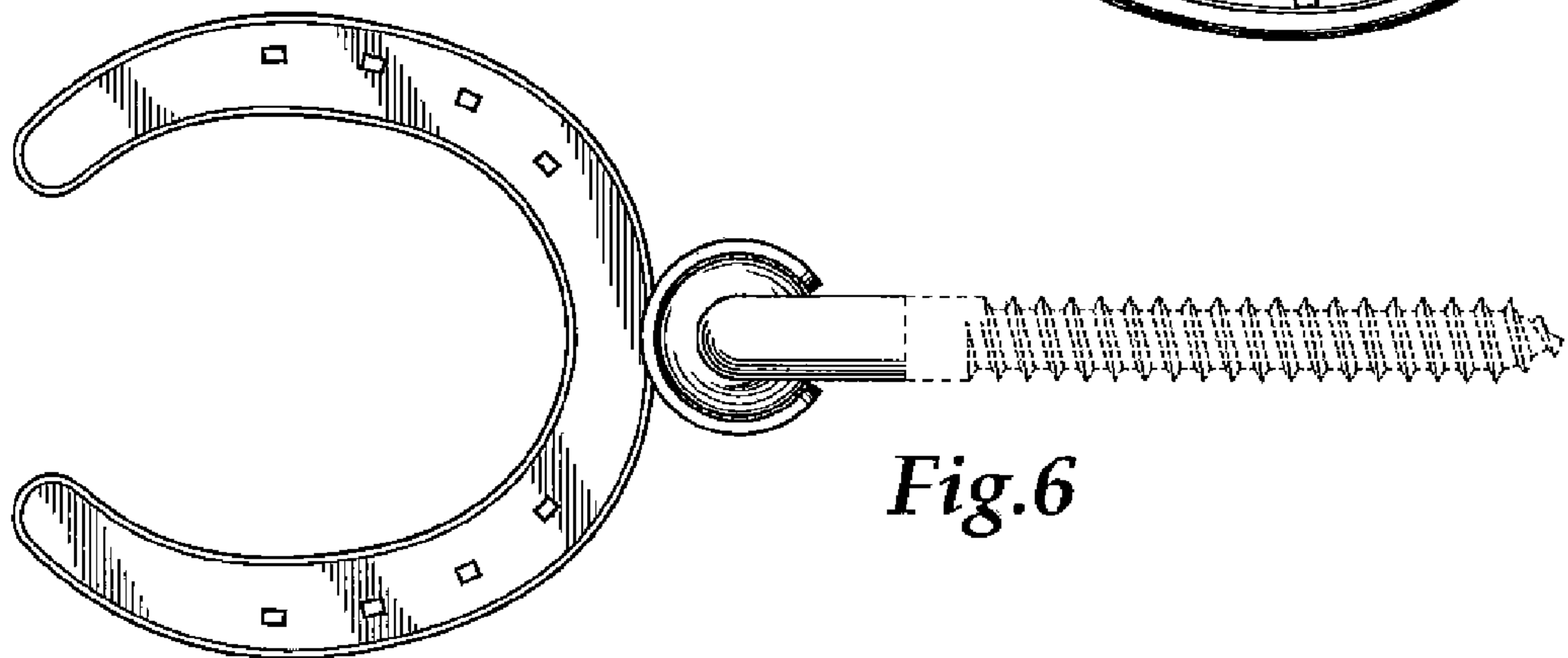
*Fig.3*



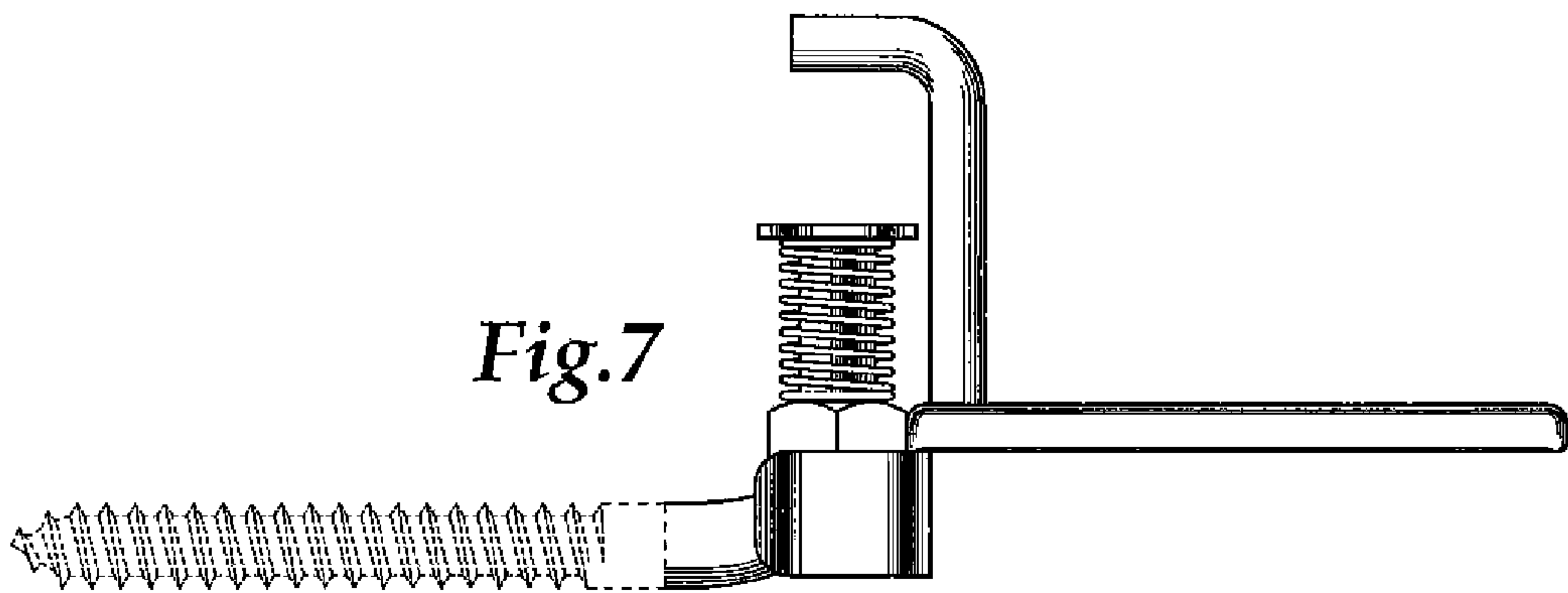
*Fig.4*



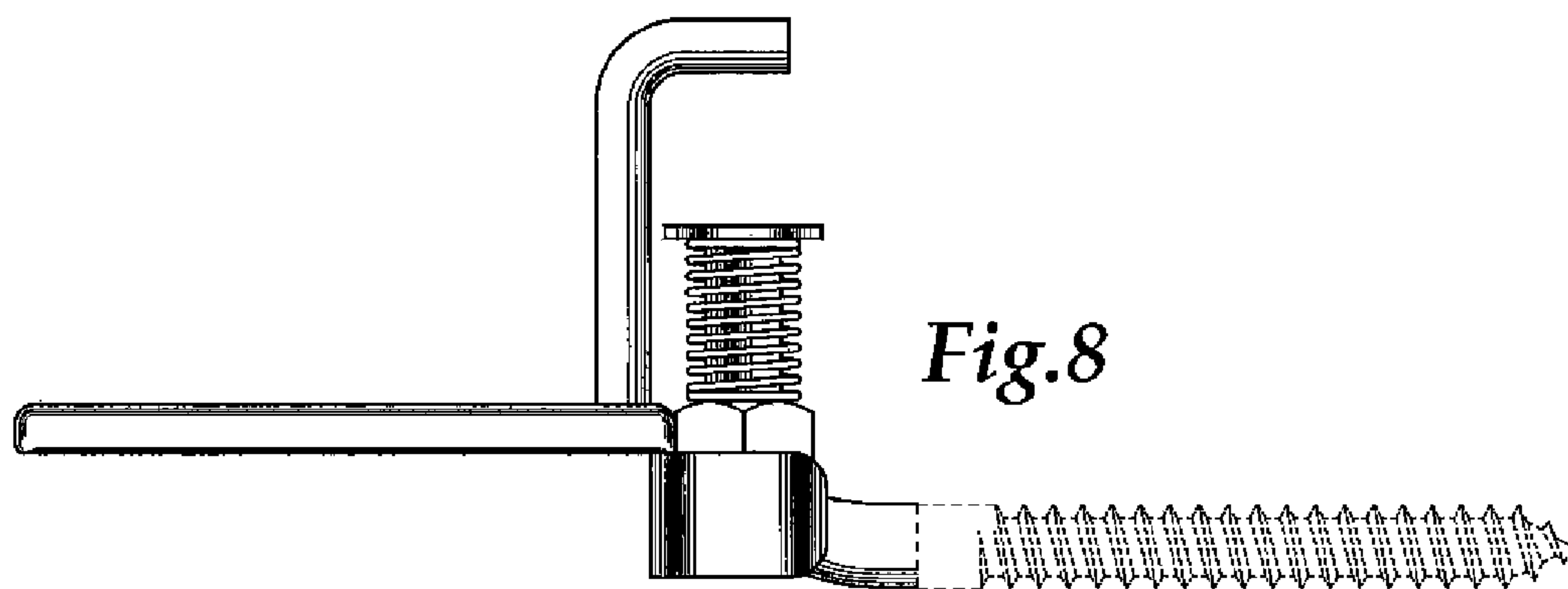
*Fig.5*



*Fig.6*



*Fig.7*



*Fig.8*