



US00D583215S

(12) **United States Design Patent**  
**Bavuso**

(10) **Patent No.:** **US D583,215 S**  
(45) **Date of Patent:** **\*\* Dec. 23, 2008**

(54) **HANDLE**

(75) Inventor: **Giuseppe Bavuso**, Seregno (IT)

(73) Assignee: **Pamar S.p.A.**, Renate (MI) (IT)

(\*\*) Term: **14 Years**

(21) Appl. No.: **29/268,657**

(22) Filed: **Nov. 9, 2006**

(30) **Foreign Application Priority Data**

May 12, 2006 (EM) ..... 000529805

(51) **LOC (8) Cl.** ..... **08-06**

(52) **U.S. Cl.** ..... **D8/319**; D8/300

(58) **Field of Classification Search** ..... D8/300,  
D8/307, 314, 316, 317, 319, 320, DIG. 1;  
16/110.1; 292/94, 63, 35

See application file for complete search history.

(56) **References Cited**

**U.S. PATENT DOCUMENTS**

D102,288 S \* 12/1936 Murrin ..... D8/314  
D174,547 S \* 4/1955 Gulliksen ..... D8/319  
D196,494 S \* 10/1963 Massen ..... D8/314  
D220,936 S \* 6/1971 Horgan, Jr. .... D8/319

\* cited by examiner

*Primary Examiner*—Paula Greene

(74) *Attorney, Agent, or Firm*—Mintz, Levin, Cohn, Ferris,  
Glovsky and Popeo, PC; David F. Crosby

(57) **CLAIM**

The ornamental design for the handle, as shown and described.

**DESCRIPTION**

FIG. 1 is a perspective view taken from the top right side of the handle;

FIG. 2 is a left side elevational view thereof;

FIG. 3 is a top plan view thereof;

FIG. 4 is an end view thereof;

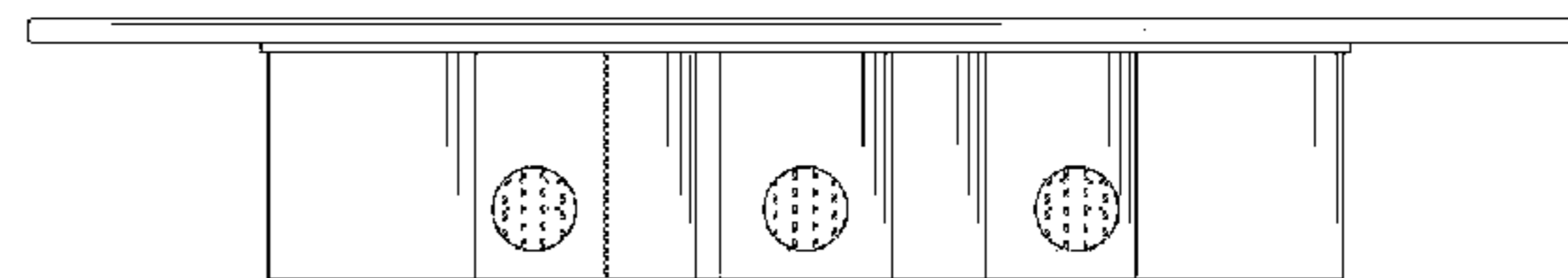
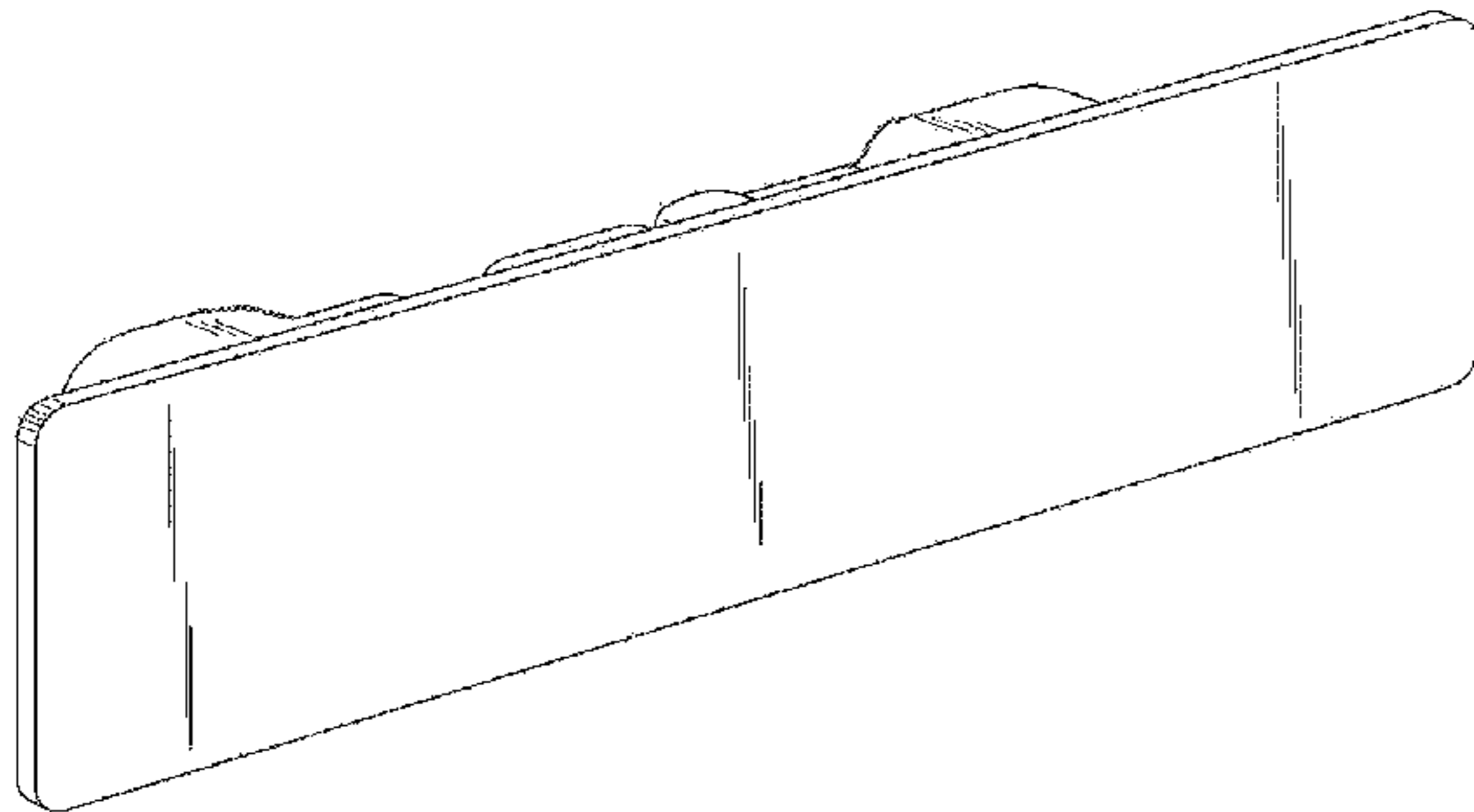
FIG. 5 is an end view thereof;

FIG. 6 is a right side elevational view thereof; and,

FIG. 7 is a bottom plan view.

All components of the appended drawings which are shown in broken lines are unclaimed environment and form no part of the claimed invention.

**1 Claim, 6 Drawing Sheets**



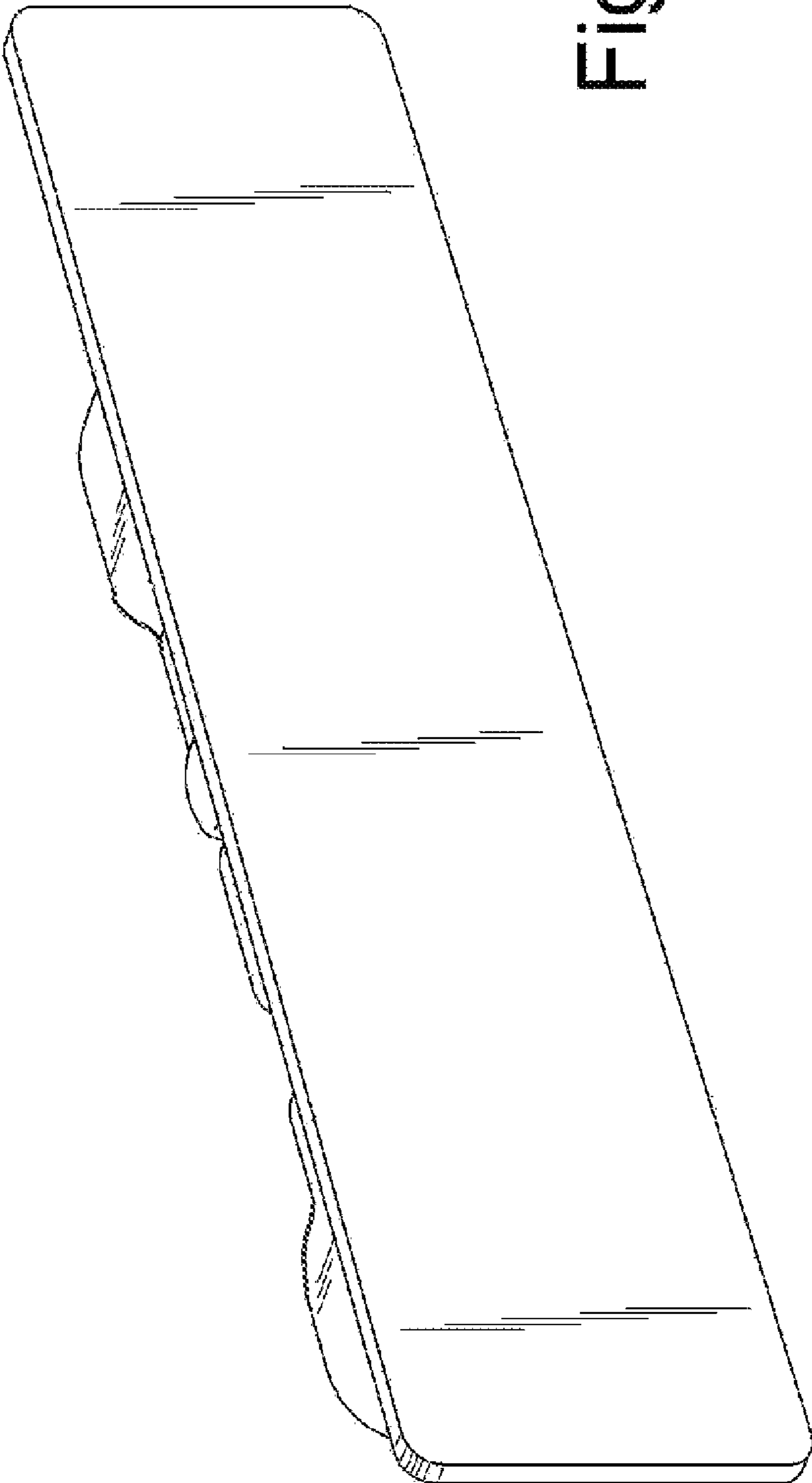
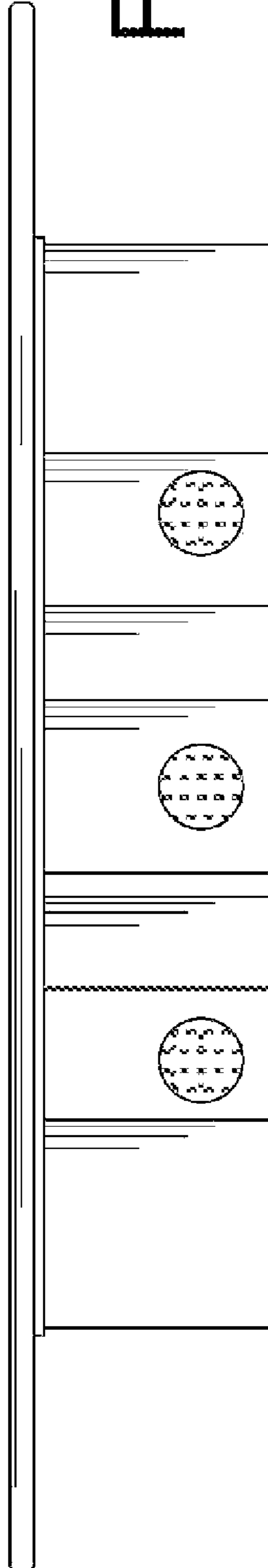


Fig. 1

Fig. 2



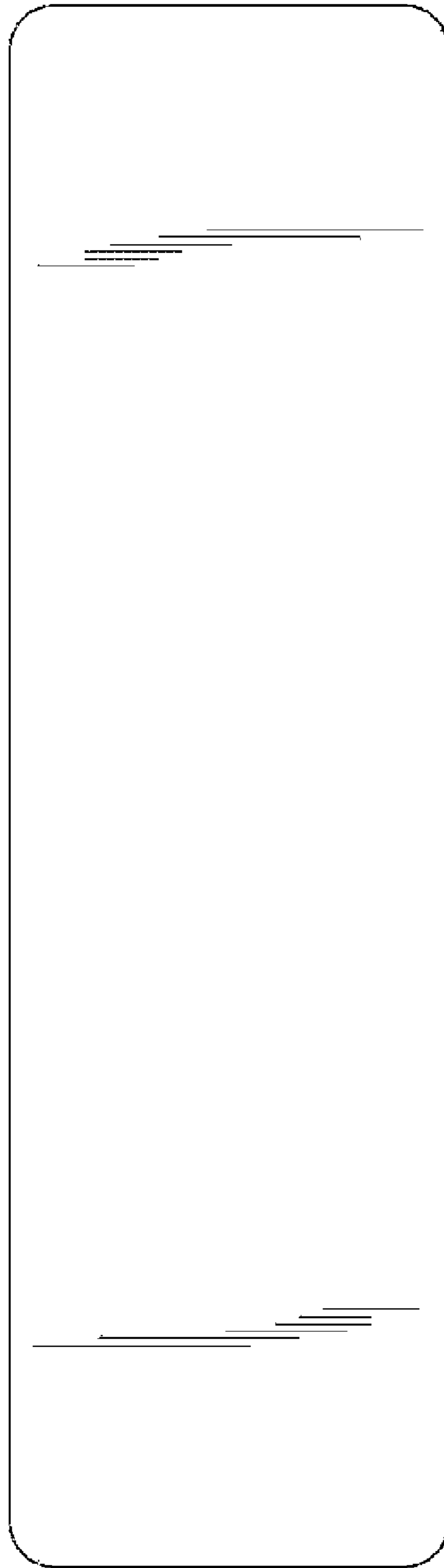


Fig. 3

Fig. 5

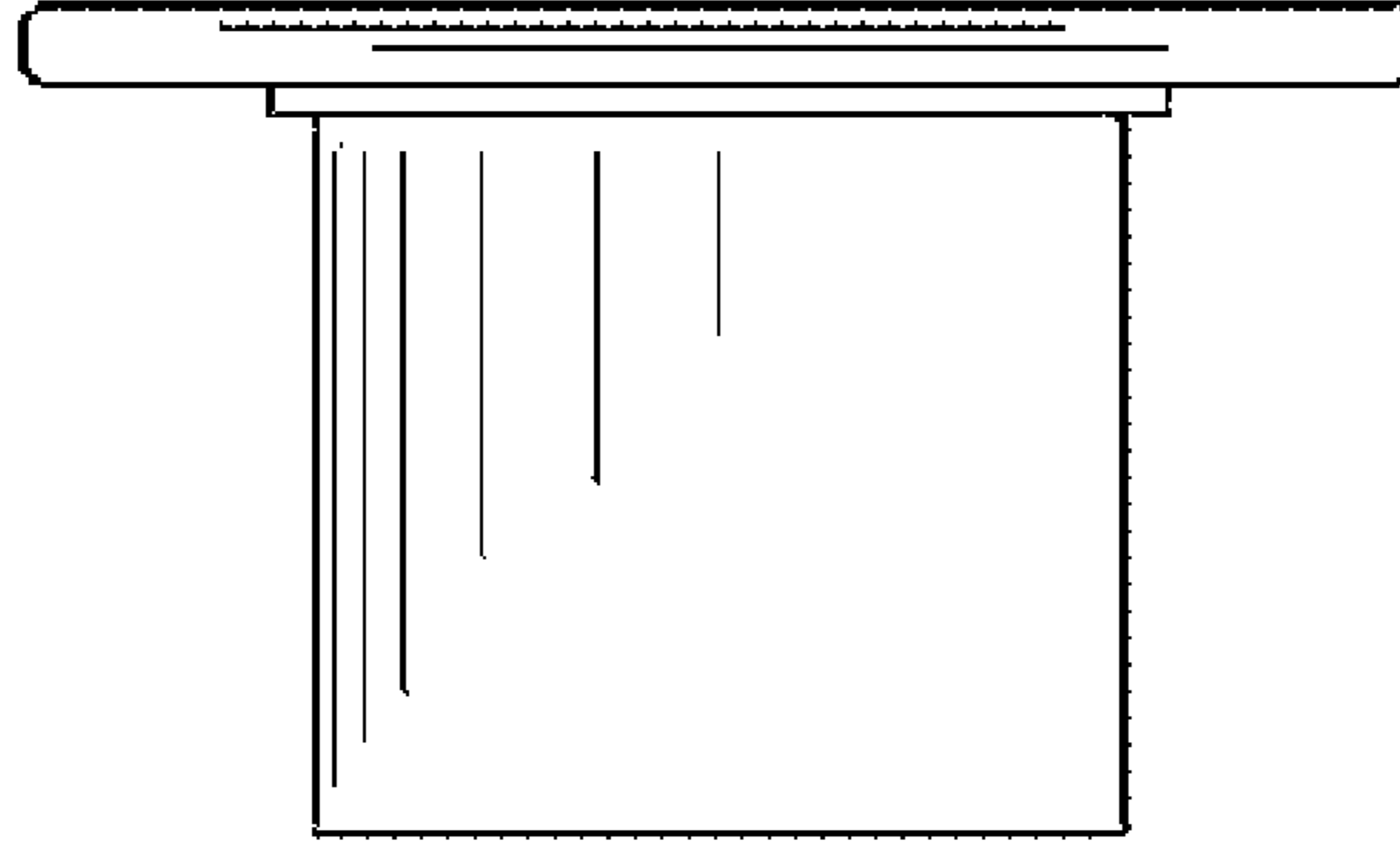


Fig. 4

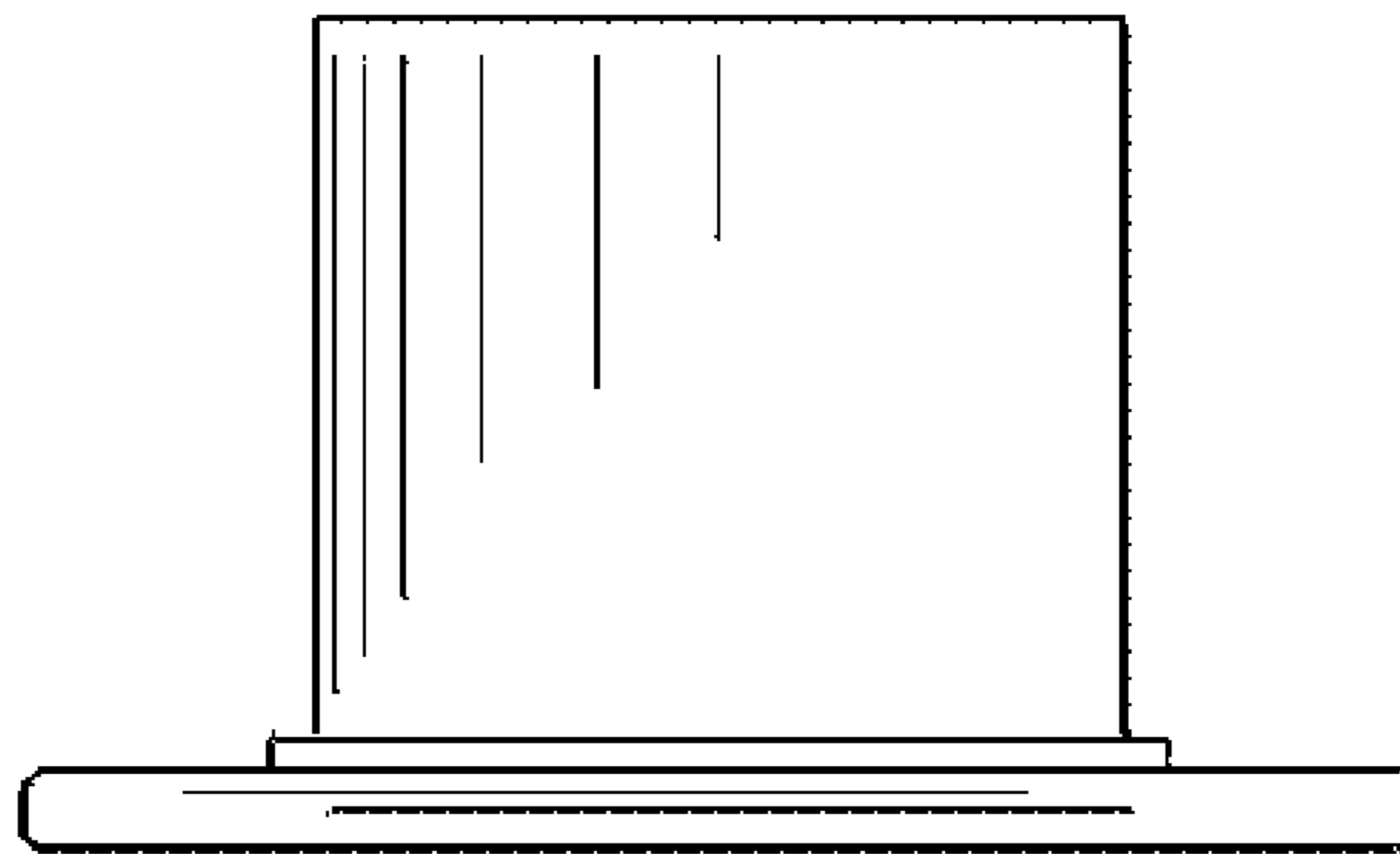
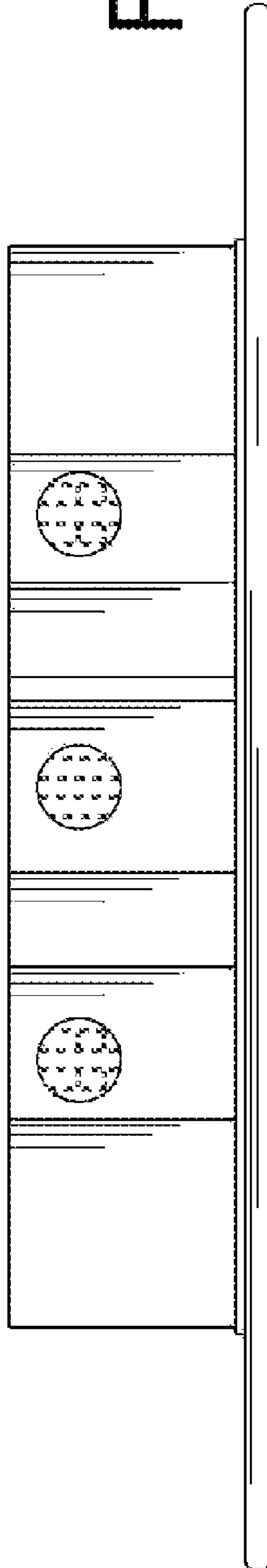


Fig. 6



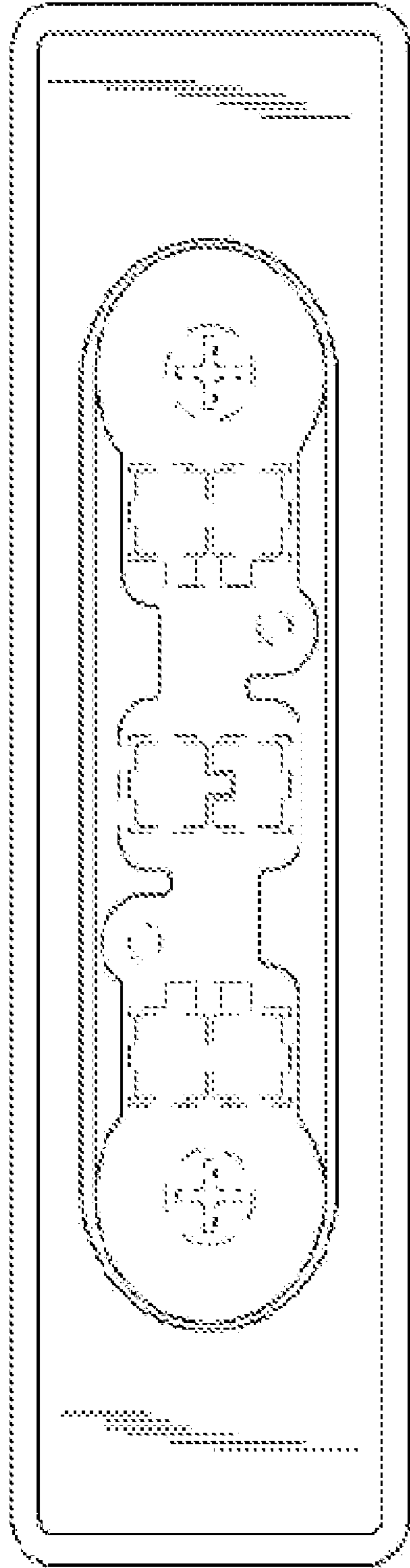


Fig. 7