



US00D583213S

(12) **United States Design Patent**
Kubota

(10) **Patent No.:** **US D583,213 S**
(45) **Date of Patent:** **** Dec. 23, 2008**

(54) **HANDLE**

(75) Inventor: **Harunobu Kubota**, Tokyo (JP)

(73) Assignee: **Sugatsune Kogyo Co., Ltd.**, Tokyo (JP)

(**) Term: **14 Years**

(21) Appl. No.: **29/317,425**

(22) Filed: **Apr. 29, 2008**

(30) **Foreign Application Priority Data**

Nov. 2, 2007 (JP) 2007-030380

(51) **LOC (8) Cl.** **08-06**

(52) **U.S. Cl.** **D8/313; D15/89**

(58) **Field of Classification Search** D8/300,
D8/301, 302, 305, 306, 307-313, 315-318,
D8/319-322, DIG. 1, DIG. 2, DIG. 10; D15/89;
D7/393, 394; D3/318; D6/549, 524, 533,
D6/550, 546; D23/303, 304, 305, 250-254;
16/441, 118, 110 R, 111 R, DIG. 19, DIG. 30,
16/110.1, 412, 414-420, 443-446; 292/336.3;
211/16, 182; 220/752-754

See application file for complete search history.

(56) **References Cited**

U.S. PATENT DOCUMENTS

2,793,386 A * 5/1957 Muhlhauser 16/416
D203,385 S * 1/1966 Hinrichs D8/314

D248,624 S * 7/1978 Spellier D8/313
5,134,754 A * 8/1992 Vickers 16/416
D349,838 S * 8/1994 Barton et al. D8/313
D402,528 S * 12/1998 Brucker D8/313
D436,832 S * 1/2001 Matsuo et al. D8/313
D442,846 S * 5/2001 Bastian D8/313
D508,197 S * 8/2005 Baldwin et al. D8/313
D571,633 S * 6/2008 Shuman et al. D8/313

* cited by examiner

Primary Examiner—Stella M Reid

Assistant Examiner—Mark A Goodwin

(74) *Attorney, Agent, or Firm*—Osha • Liang LLP

(57) **CLAIM**

The ornamental design for a handle, as shown and described.

DESCRIPTION

FIG. 1 is a perspective view of the front, right and top plan of a handle showing my new design;

FIG. 2 is a front view thereof;

FIG. 3 is a rear view thereof;

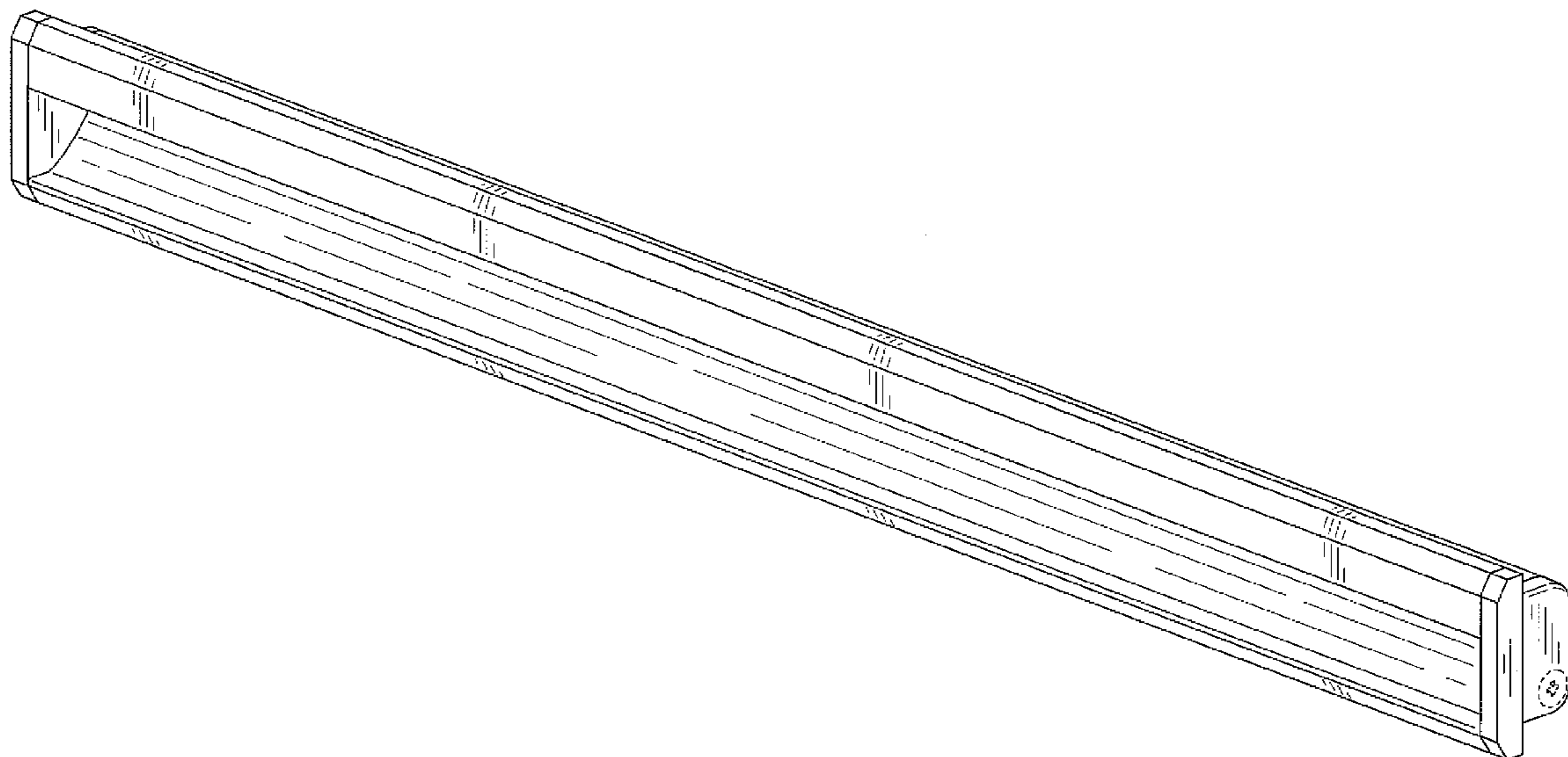
FIG. 4 is a top plan view thereof;

FIG. 5 is a bottom view thereof; and,

FIG. 6 is left side view, a right side view being a mirror image thereof.

The elements shown in broken lines are for illustrative purposes only and form no part of the claimed design.

1 Claim, 3 Drawing Sheets



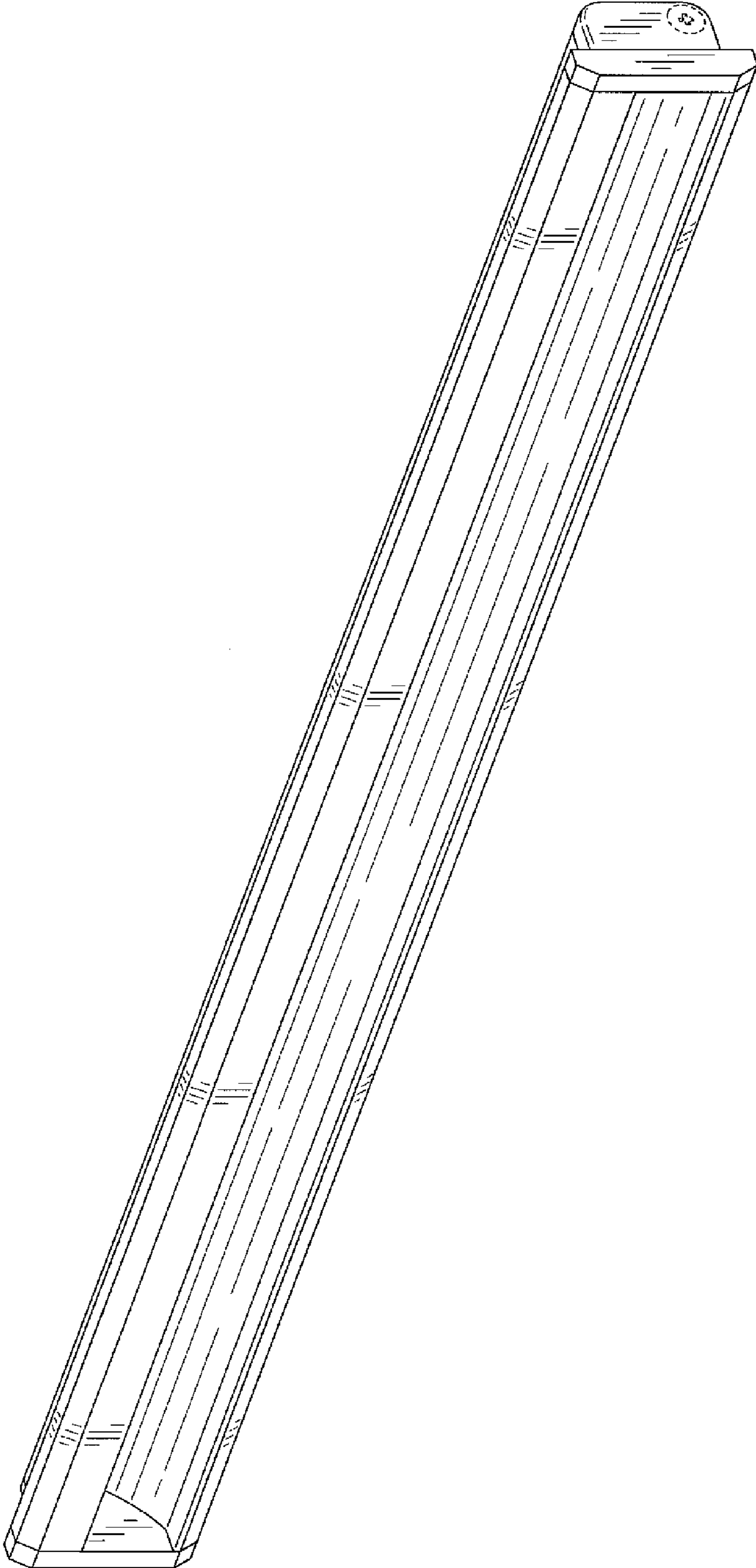


FIG. 1

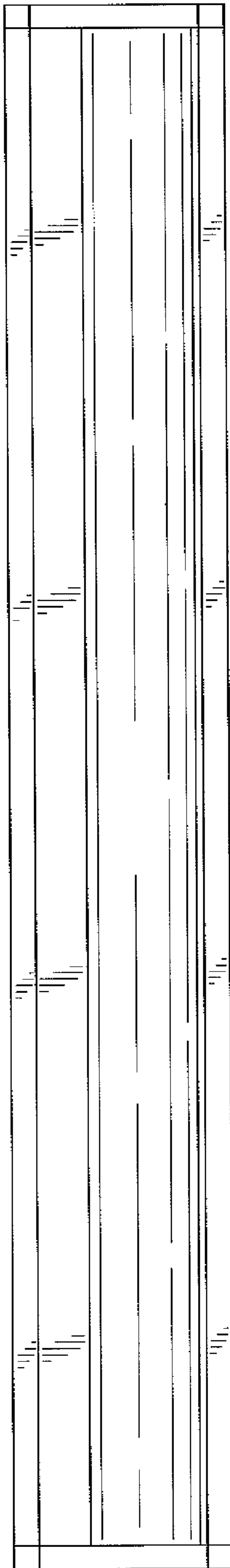


FIG. 2

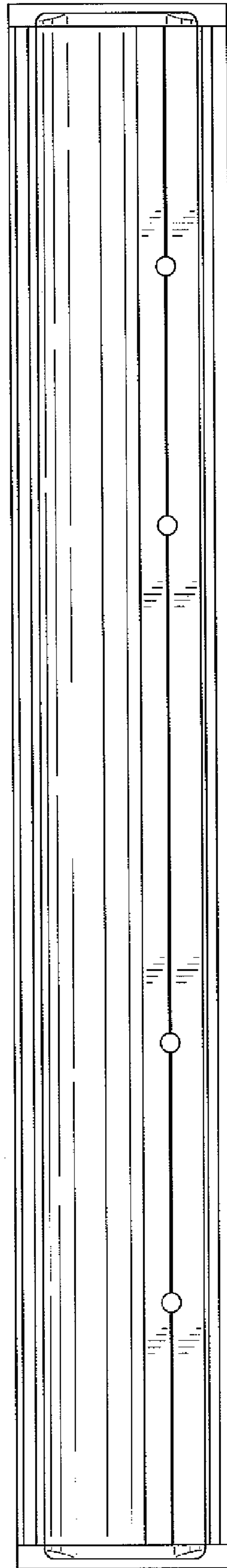


FIG. 3

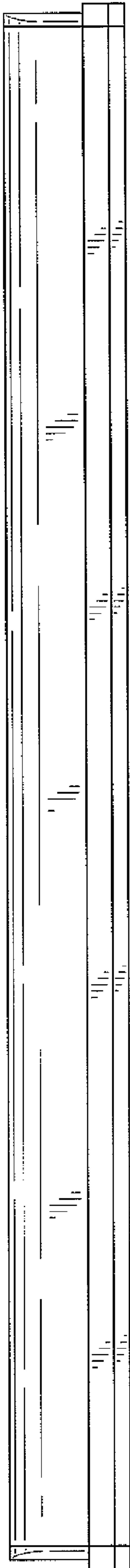


FIG. 4

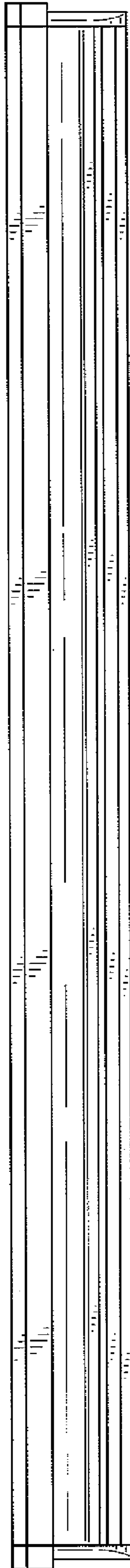


FIG. 5

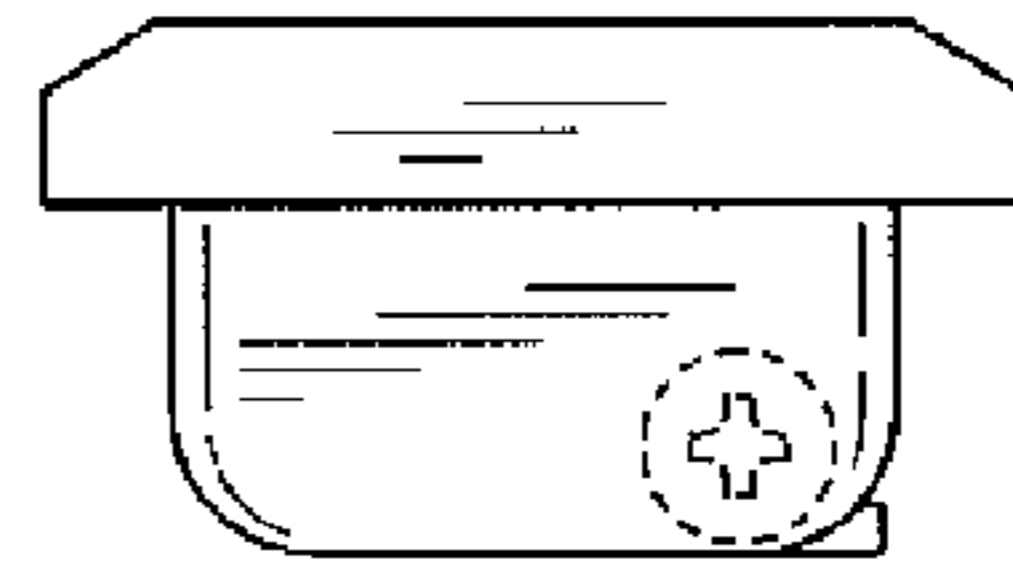


FIG. 6