



US00D583209S

(12) **United States Design Patent**
Shyeh

(10) **Patent No.:** **US D583,209 S**

(45) **Date of Patent:** **** Dec. 23, 2008**

(54) **AIR-DRIVEN TOOL**

(76) **Inventor:** **Mau-Lian Shyeh**, 1/F., No. 11, Lane
313, Fuhsing S. Rd., Sec. 1, Taan Dist.,
Taipei City (TW)

(**) **Term:** **14 Years**

(21) **Appl. No.:** **29/309,238**

(22) **Filed:** **Jul. 11, 2008**

(51) **LOC (8) Cl.** **08-01**

(52) **U.S. Cl.** **D8/61**

(58) **Field of Classification Search** D8/61,
D8/62, 67, 69; 81/57, 57.11, 57.14, 57.26,
81/429, 464, 469; 173/2, 170, 176, 181
See application file for complete search history.

(56) **References Cited**

U.S. PATENT DOCUMENTS

D332,733	S	*	1/1993	Staubitz et al.	D8/61
D347,372	S	*	5/1994	Ghode et al.	D8/61
D423,897	S	*	5/2000	Cooper	D8/61
D432,379	S	*	10/2000	Sun	D8/70
D433,611	S	*	11/2000	McCallops et al.	D8/61
D434,957	S	*	12/2000	Heinrichs et al.	D8/61
D456,231	S	*	4/2002	Chen	D8/61
D456,683	S	*	5/2002	Chen	D8/61
D468,605	S	*	1/2003	Morgan	D8/61
D470,374	S	*	2/2003	Murray	D8/61
6,644,419	B1	*	11/2003	Chen	173/169

D484,379	S	*	12/2003	Chen	D8/61
D484,380	S	*	12/2003	Chen	D8/61
D525,498	S	*	7/2006	Chen	D8/61
D525,500	S	*	7/2006	Chen	D8/61
D534,777	S	*	1/2007	Miller	D8/61
D540,637	S	*	4/2007	Staples	D8/61
D568,131	S	*	5/2008	Huguet et al.	D8/61
D569,205	S	*	5/2008	Lai	D8/61

* cited by examiner

Primary Examiner—Cathron C Brooks

Assistant Examiner—Austin Murphy

(74) *Attorney, Agent, or Firm*—Rosenberg, Klein & Lee

(57) **CLAIM**

The ornamental design for a air-driven tool, as shown and described.

DESCRIPTION

FIG. 1 is a perspective view of a air-driven tool showing my new design;

FIG. 2 is a top plan view thereof;

FIG. 3 is a bottom plan view thereof;

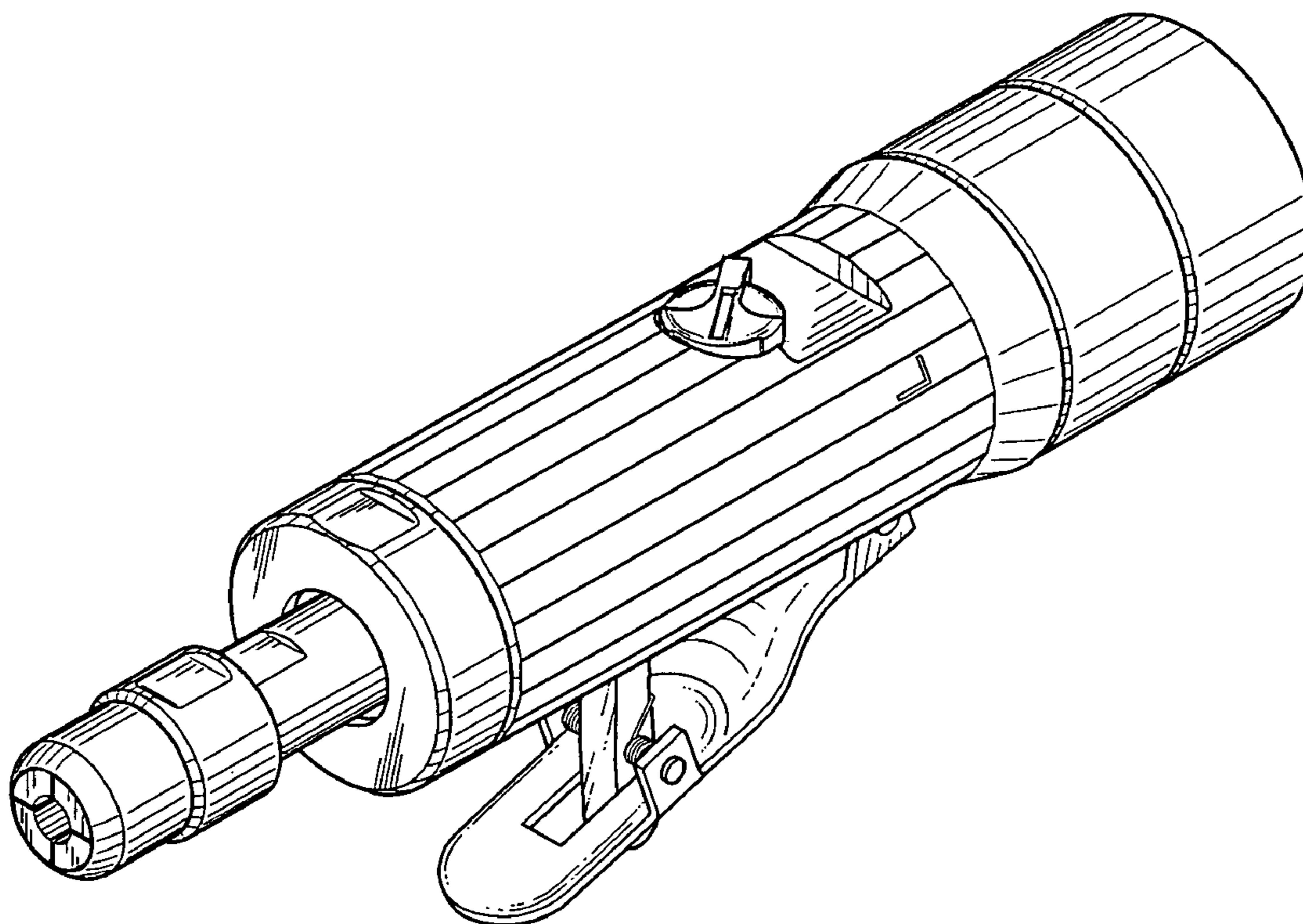
FIG. 4 is a front elevational view thereof;

FIG. 5 is a rear elevational view thereof;

FIG. 6 is a left side elevational view thereof; and,

FIG. 7 is a right side elevational view thereof.

1 Claim, 4 Drawing Sheets



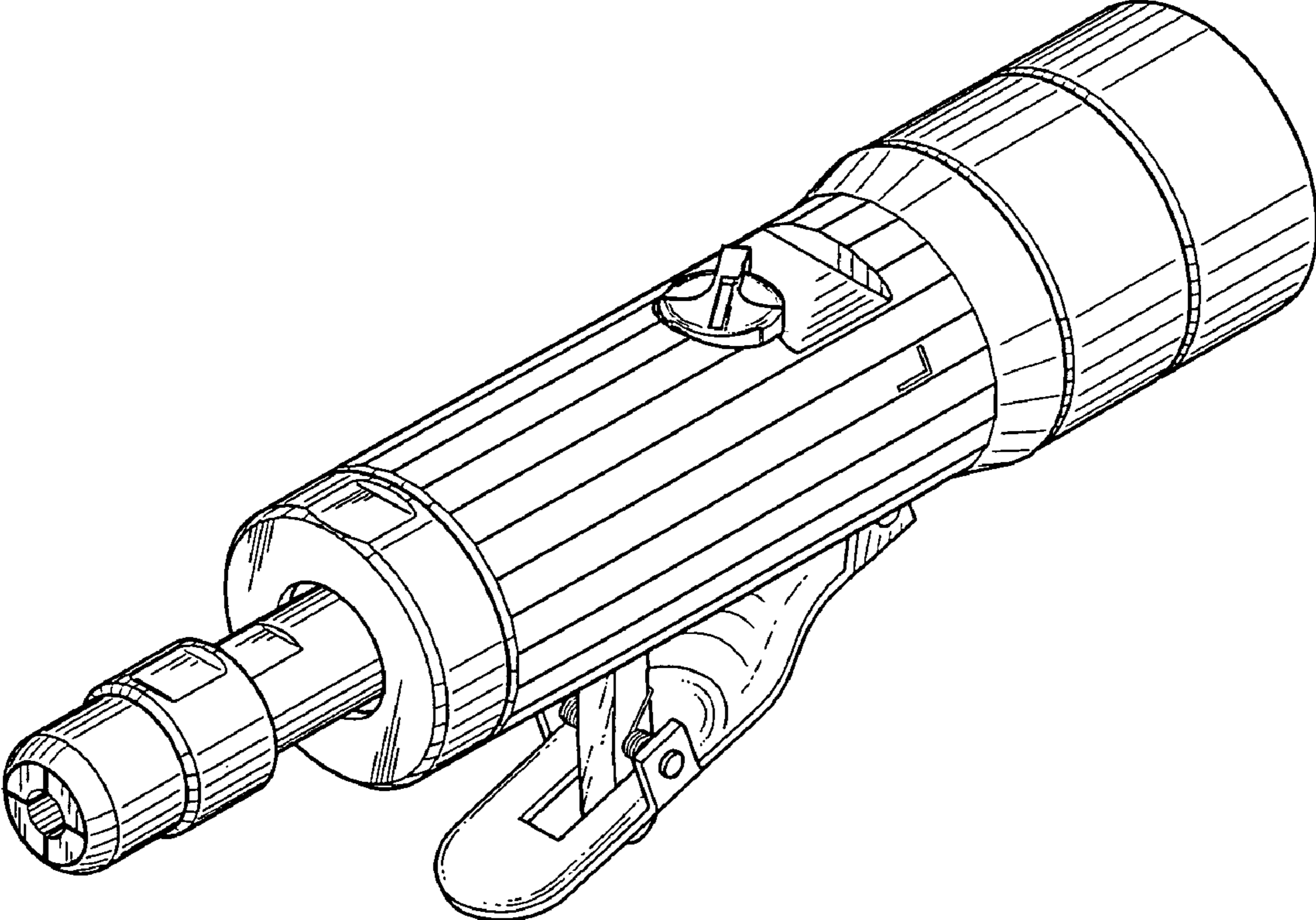


FIG. 1

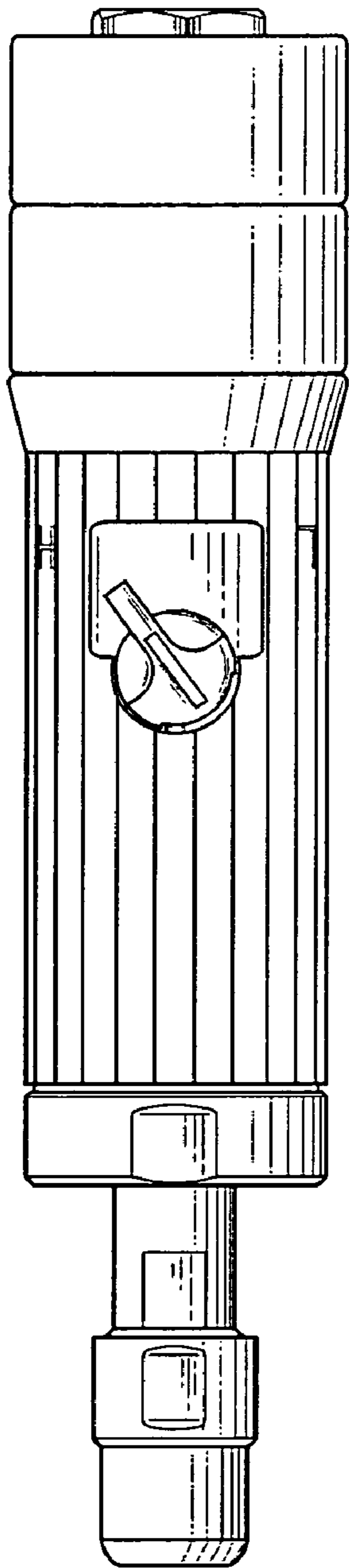


FIG. 2

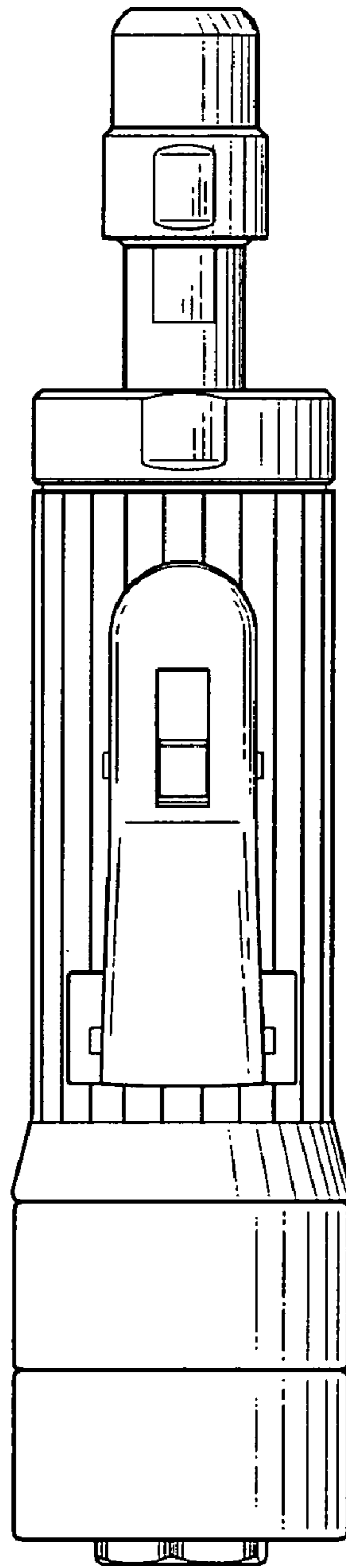


FIG. 3

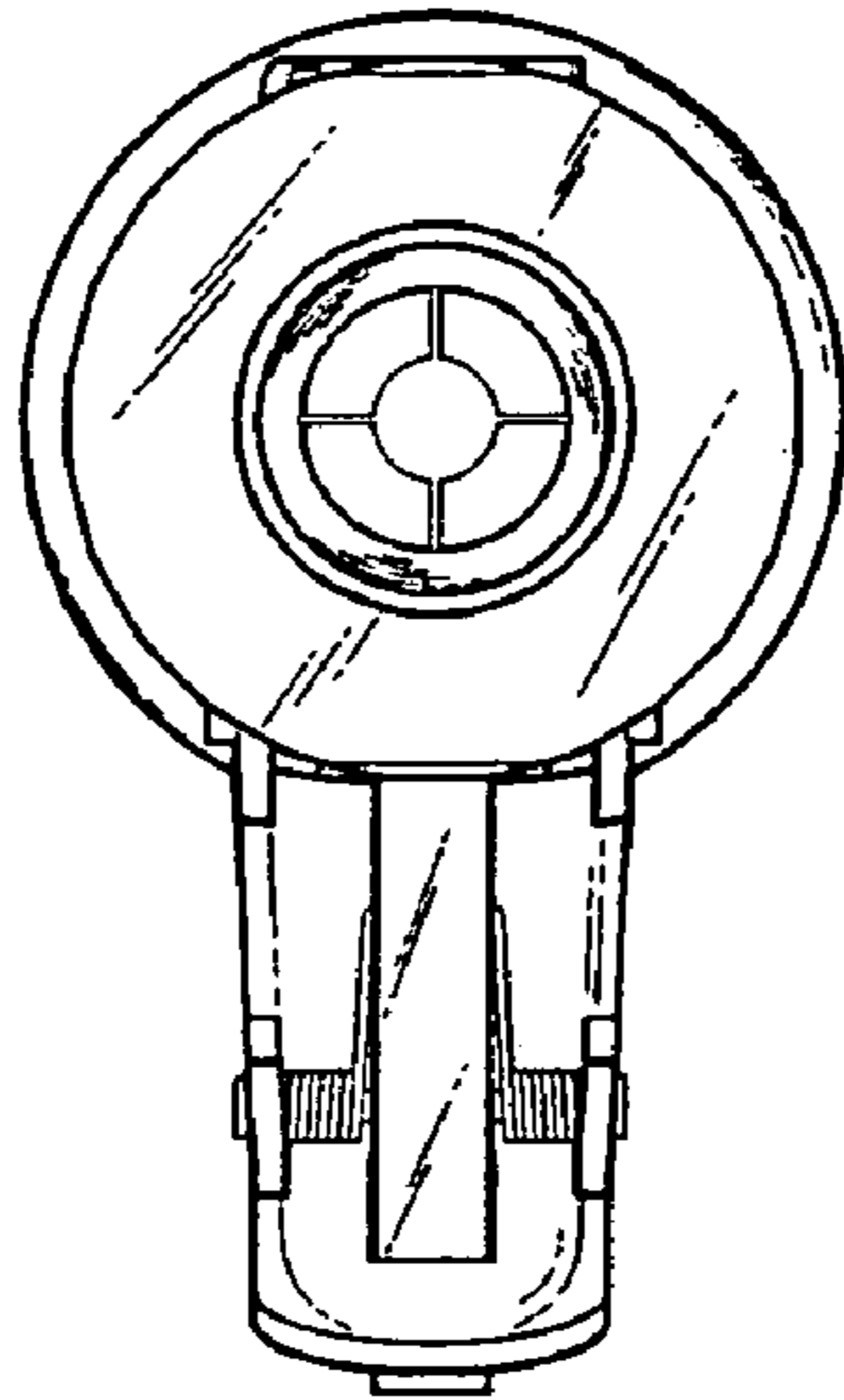


FIG. 4

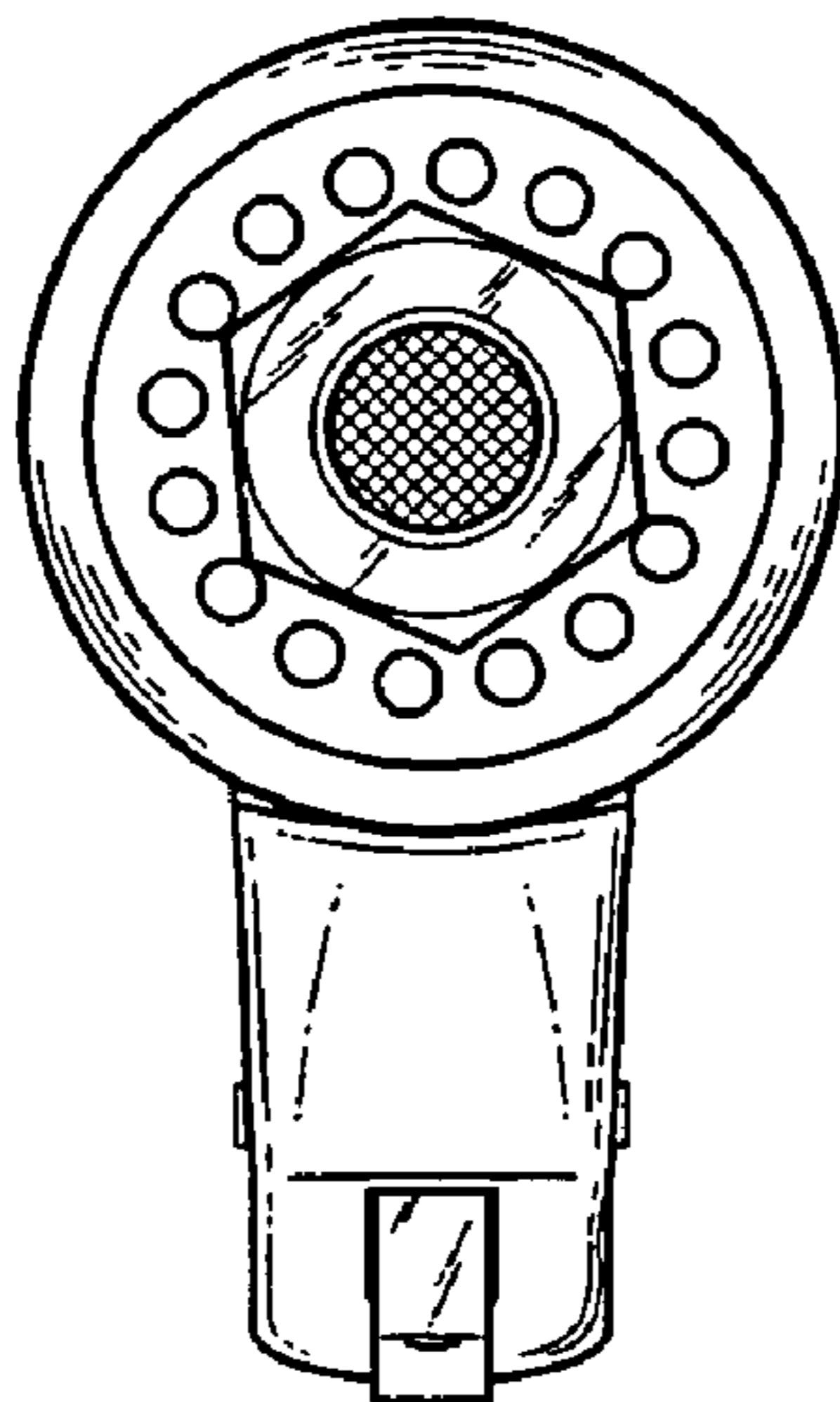


FIG. 5

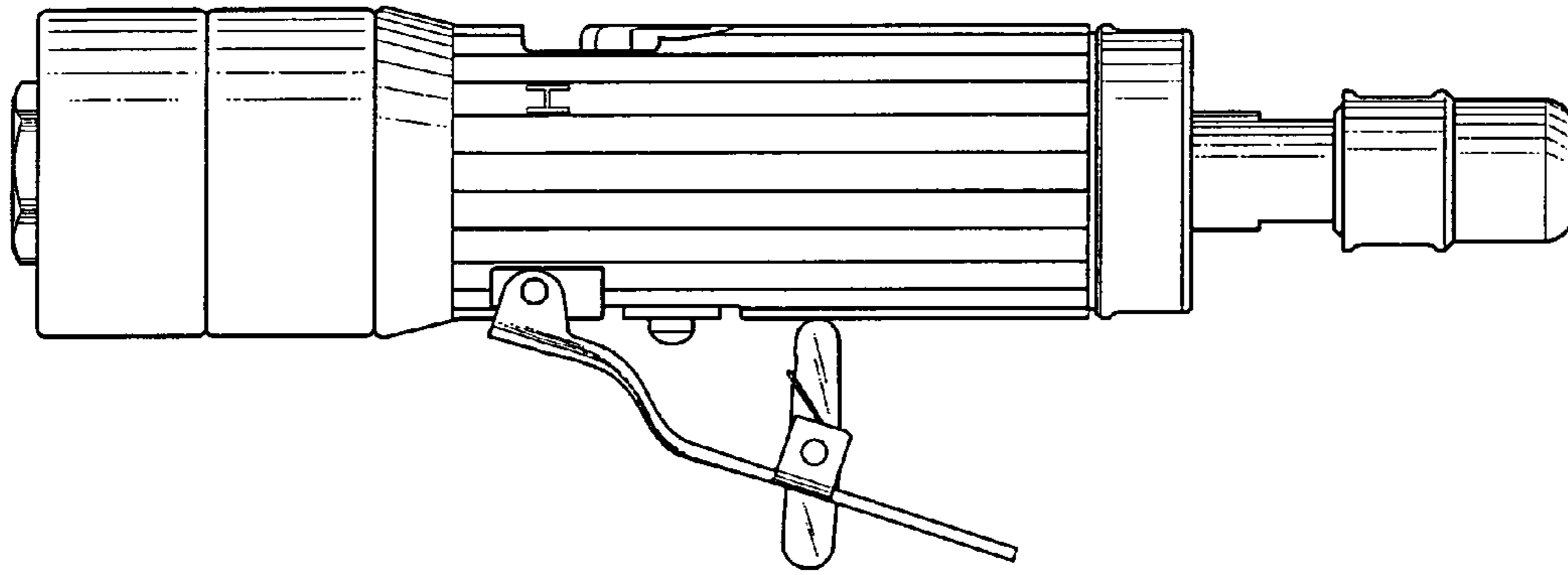


FIG. 6

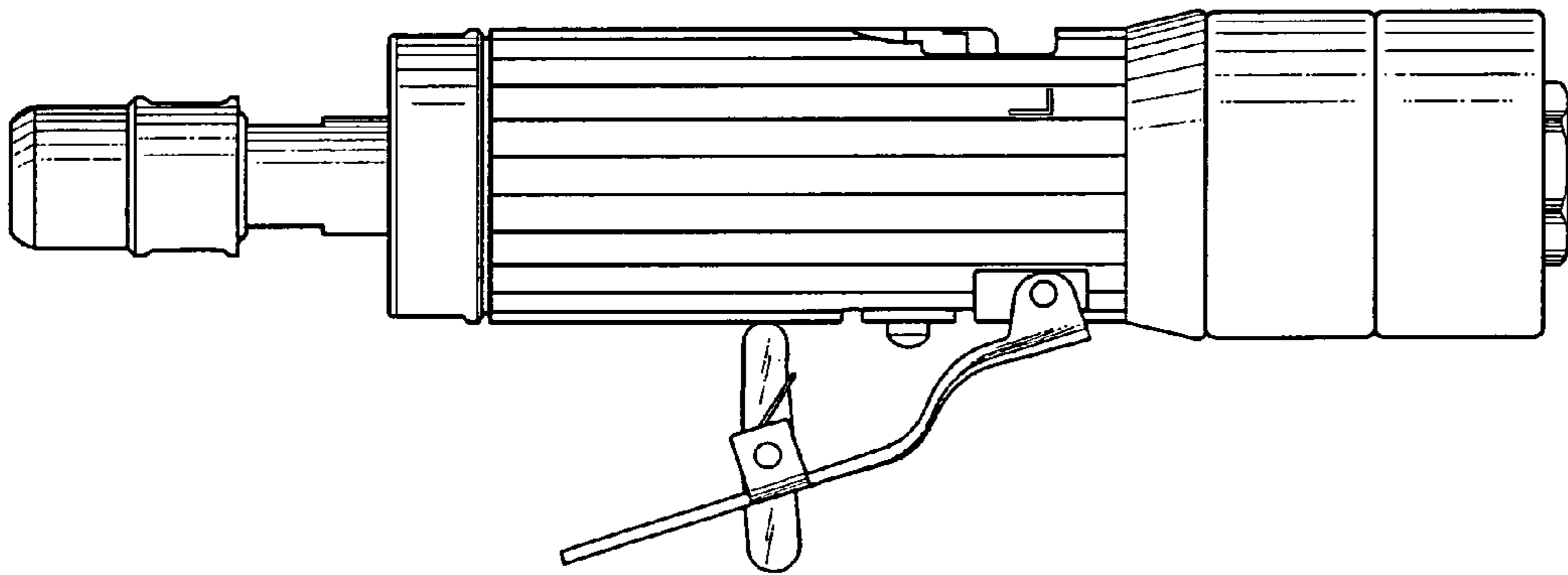


FIG. 7