



US00D583208S

(12) **United States Design Patent**
Huang

(10) **Patent No.:** **US D583,208 S**

(45) **Date of Patent:** **** Dec. 23, 2008**

(54) **PIPE CUTTER**

6,305,087 B1 * 10/2001 Huang 30/250
D453,287 S * 2/2002 Picaza D8/60

(76) Inventor: **Yin Han Huang**, 4, Lane 342, Pengyi Road, Taiping, Taichung (TW)

* cited by examiner

(**) Term: **14 Years**

Primary Examiner—Cathron C Brooks
Assistant Examiner—Deanna Fluegeman

(21) Appl. No.: **29/304,520**

(57) **CLAIM**

(22) Filed: **Mar. 4, 2008**

The ornamental design for a pipe cutter, as shown.

(51) **LOC (8) Cl.** **08-03**

(52) **U.S. Cl.** **D8/60**

(58) **Field of Classification Search** D8/4,
D8/5, 14, 51, 52, 57, 59, 60, 98, 105; D15/127-129;
30/92-108

DESCRIPTION

See application file for complete search history.

FIG. 1 is a perspective view of a pipe cutter showing my new design;

FIG. 2 is a left side view thereof;

FIG. 3 is a right side view thereof;

FIG. 4 is a front elevational view thereof;

FIG. 5 is a rear elevational view thereof;

FIG. 6 is a top plan view thereof; and,

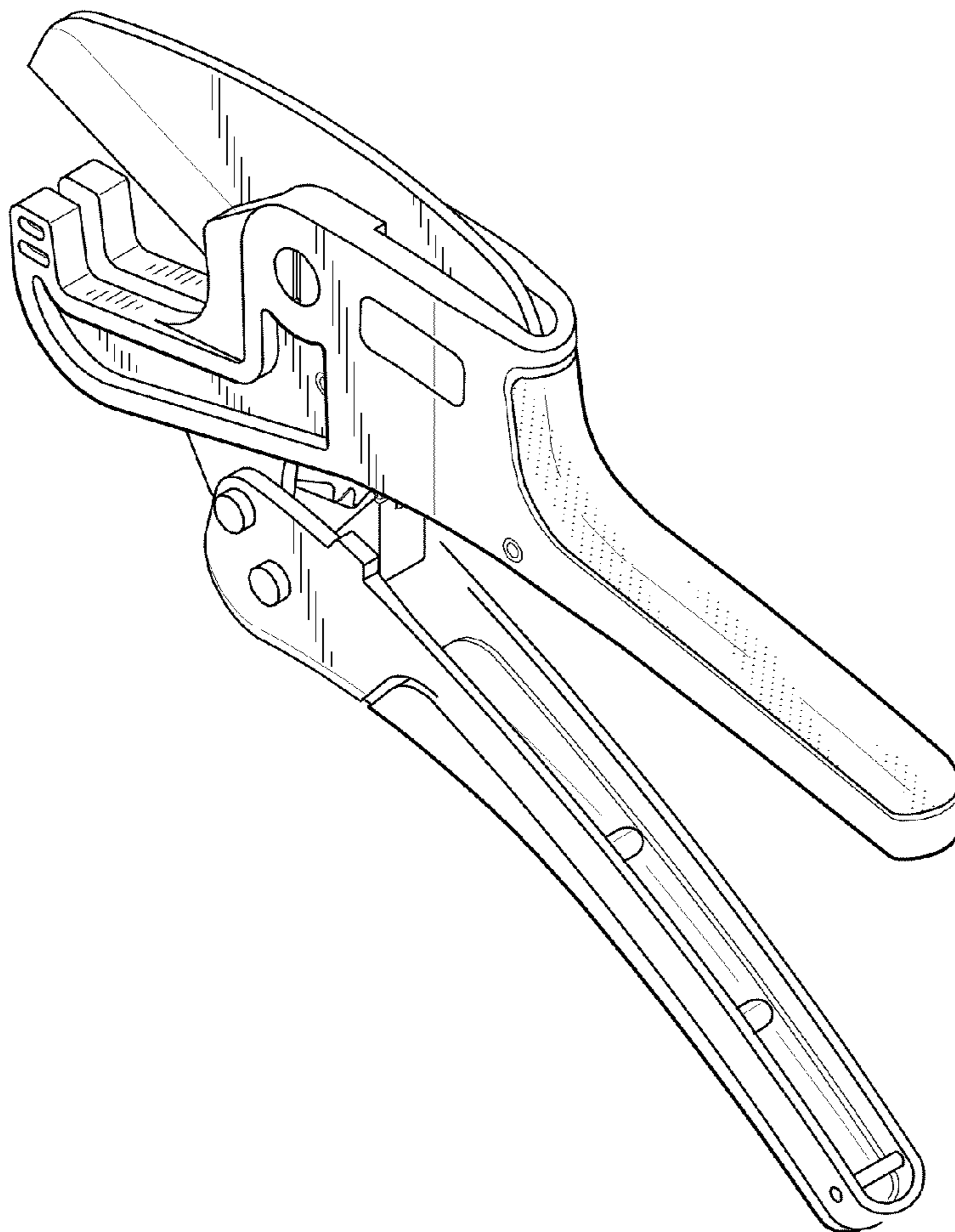
FIG. 7 is a bottom plan view thereof.

(56) **References Cited**

U.S. PATENT DOCUMENTS

4,176,450	A *	12/1979	Muromoto	30/92
4,312,127	A *	1/1982	Tanaka	30/92
D270,514	S *	9/1983	Muromoto	D8/60
5,718,051	A *	2/1998	Huang	30/92
6,098,291	A *	8/2000	Wang	30/92

1 Claim, 5 Drawing Sheets



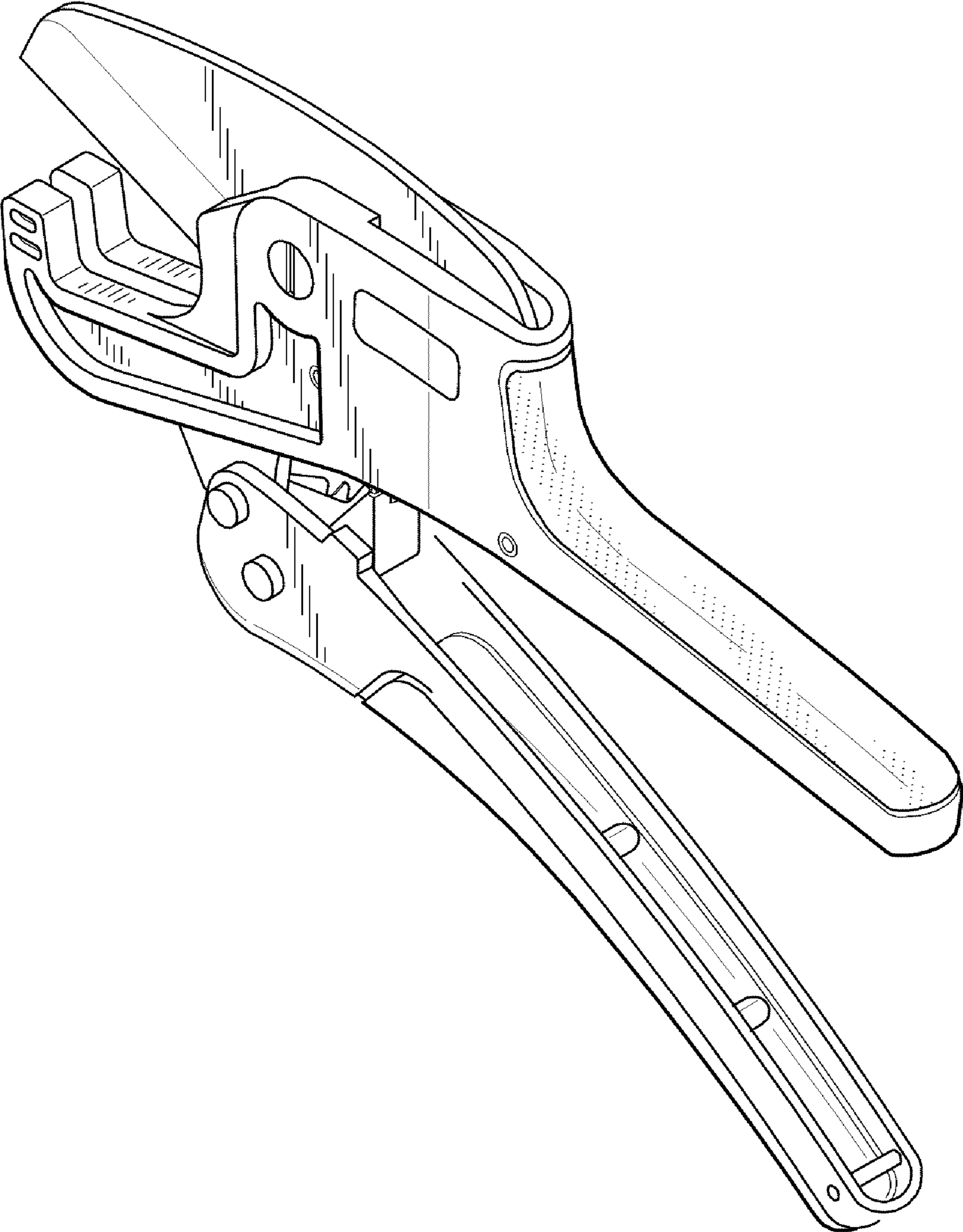


FIG. 1

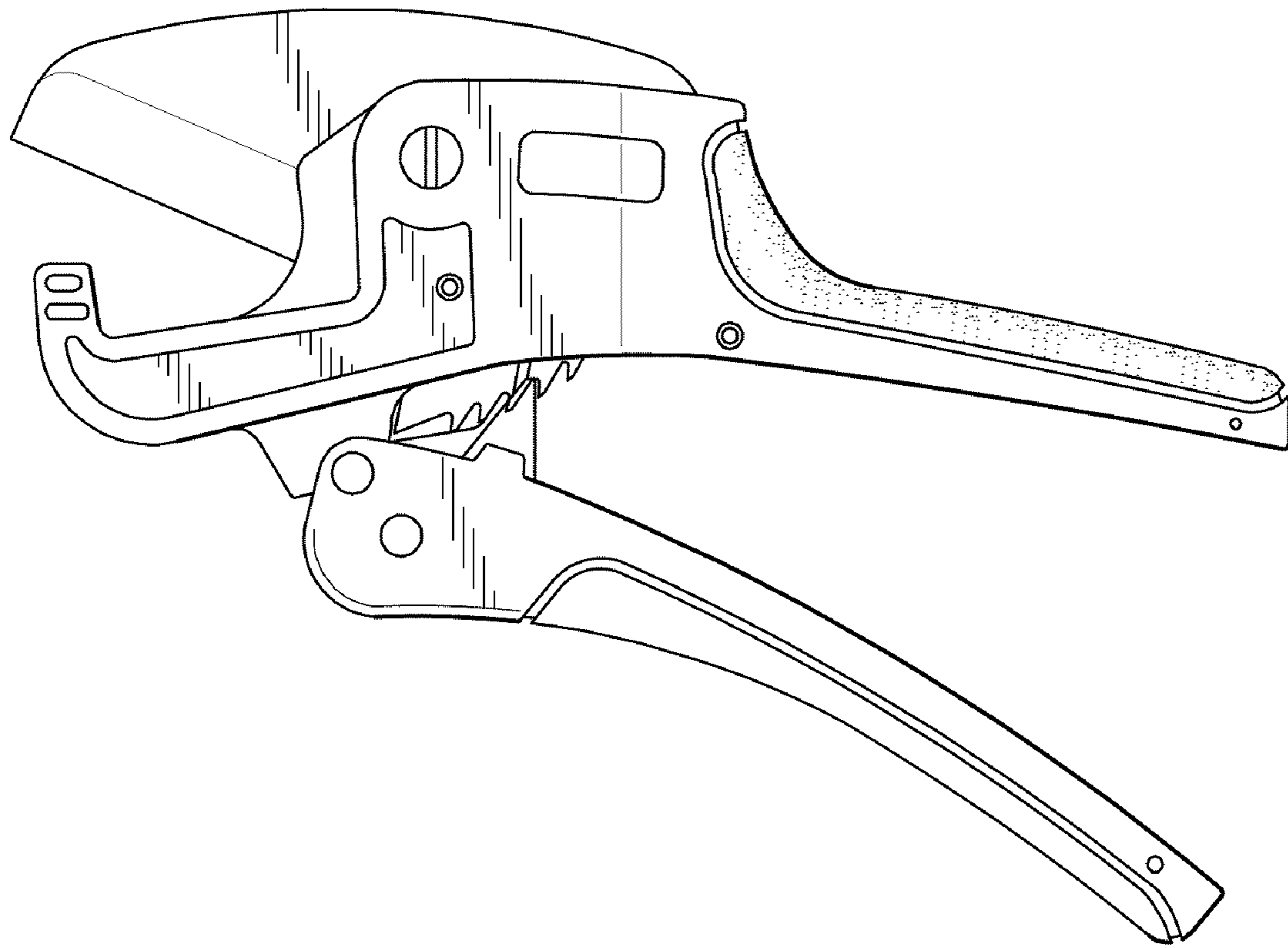


FIG. 2

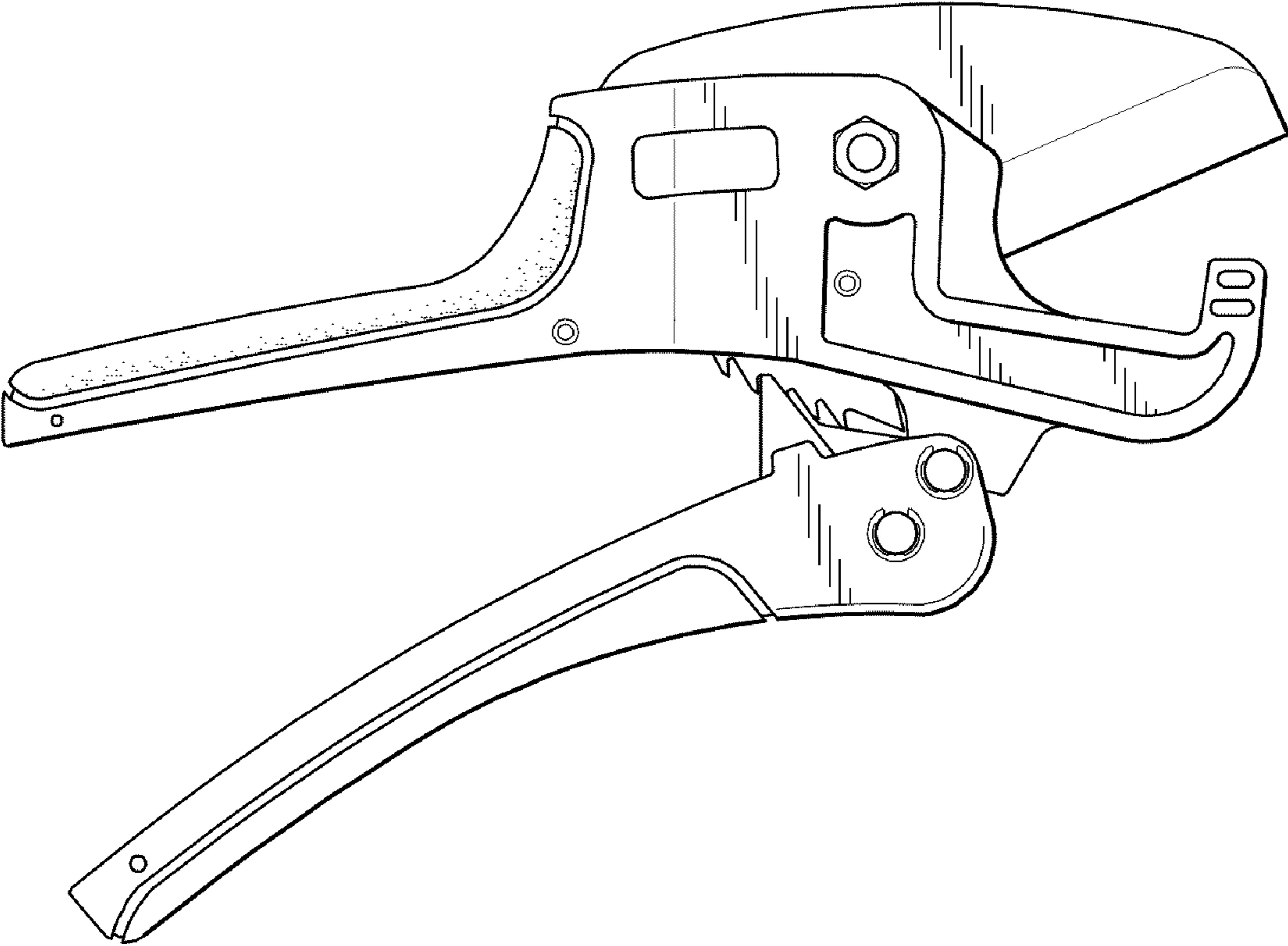


FIG. 3

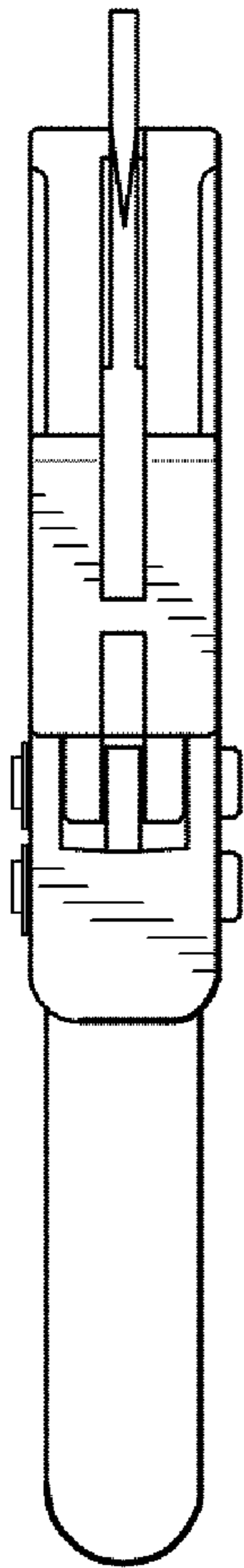


FIG. 4

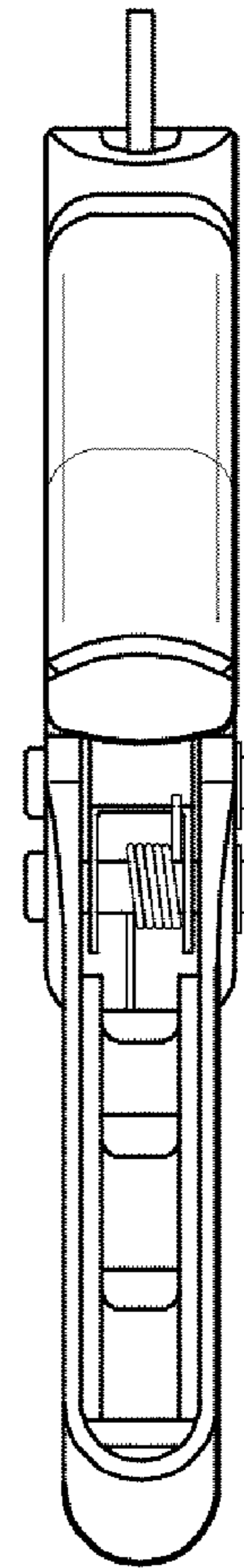


FIG. 5

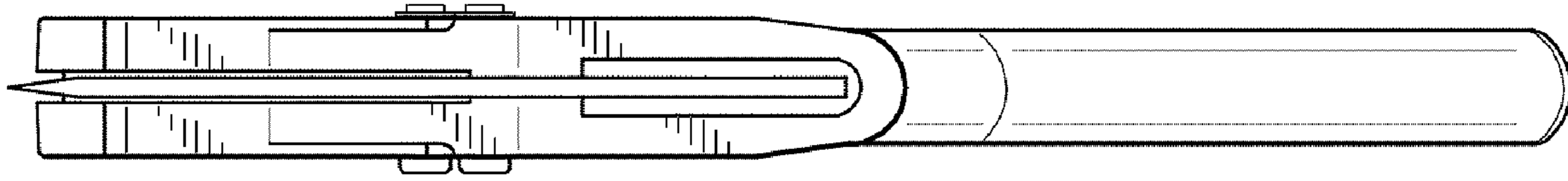


FIG. 6

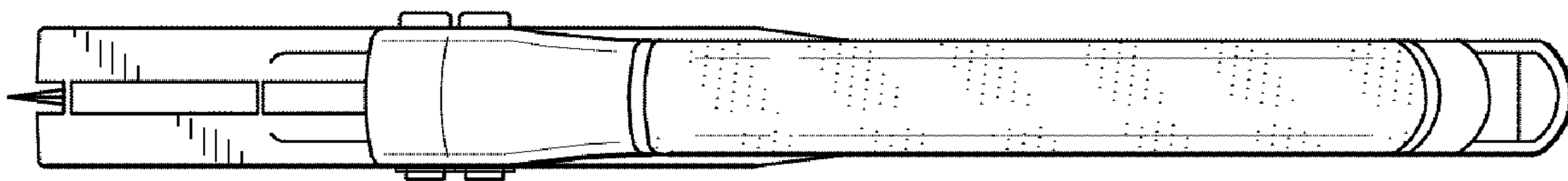


FIG. 7