



US00D583203S

(12) **United States Design Patent**  
**Genest et al.**

(10) **Patent No.:** **US D583,203 S**

(45) **Date of Patent:** **\*\* Dec. 23, 2008**

(54) **WEED REMOVING GARDEN TOOL**

(75) Inventors: **Rhonda Genest**, 4274, boul.  
Marie-Victorin, Boucherville, Quebec  
(CA) J3X 1P7; **Guy Fortier**,  
Boucherville (CA)

(73) Assignee: **Rhonda Genest**, Boucherville, Quebec  
(CA)

(\*\*) Term: **14 Years**

(21) Appl. No.: **29/298,732**

(22) Filed: **Dec. 12, 2007**

(51) **LOC (8) Cl.** ..... **08-01**

(52) **U.S. Cl.** ..... **D8/13**

(58) **Field of Classification Search** ..... D8/11,  
D8/13, 10; D32/74; D30/162; D7/692;  
56/400.21

See application file for complete search history.

(56) **References Cited**

U.S. PATENT DOCUMENTS

4,819,736 A \* 4/1989 Hedgepeth ..... 172/25  
D326,035 S \* 5/1992 Gecchelin ..... D8/13  
D429,128 S \* 8/2000 Todd ..... D8/10

D480,519 S \* 10/2003 Firth ..... D30/162  
D485,025 S \* 1/2004 Edwards et al. .... D30/162  
D507,083 S \* 7/2005 Miller et al. .... D30/162  
D546,646 S \* 7/2007 Shan ..... D8/13

\* cited by examiner

*Primary Examiner*—Holly H. Baynham

*Assistant Examiner*—Sheryl Lane

(74) *Attorney, Agent, or Firm*—Ogilvy Renault LLP

(57) **CLAIM**

The ornamental design for a weed removing garden tool, as shown and described.

**DESCRIPTION**

FIG. 1 is a perspective view of the weed removing garden tool showing our new design;

FIG. 2 is a right side view thereof;

FIG. 3 is a front view thereof;

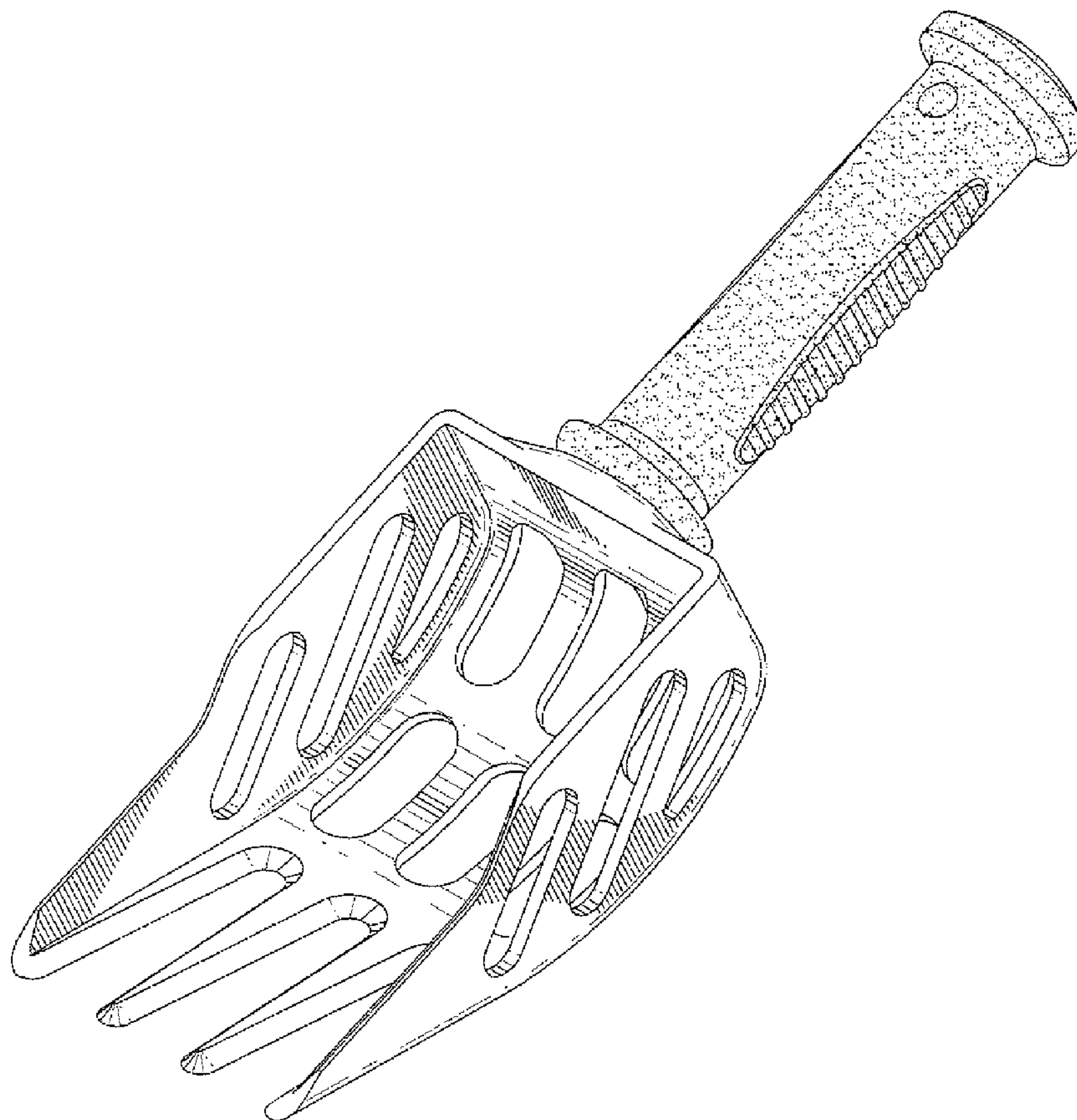
FIG. 4 is a rear view thereof;

FIG. 5 is a left side view thereof;

FIG. 6 is a bottom view thereof; and,

FIG. 7 is a top view thereof.

**1 Claim, 6 Drawing Sheets**



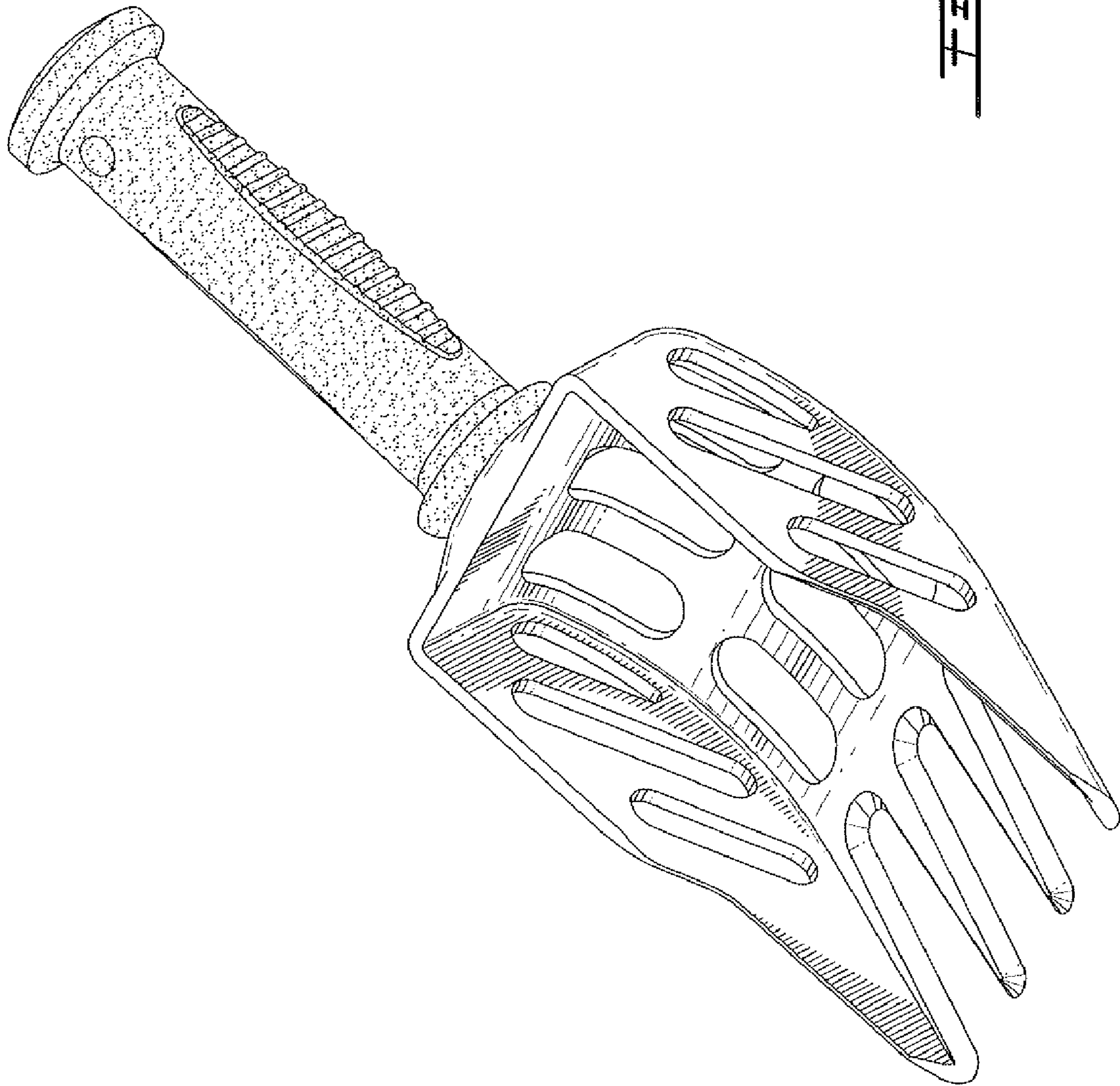


FIG. 1

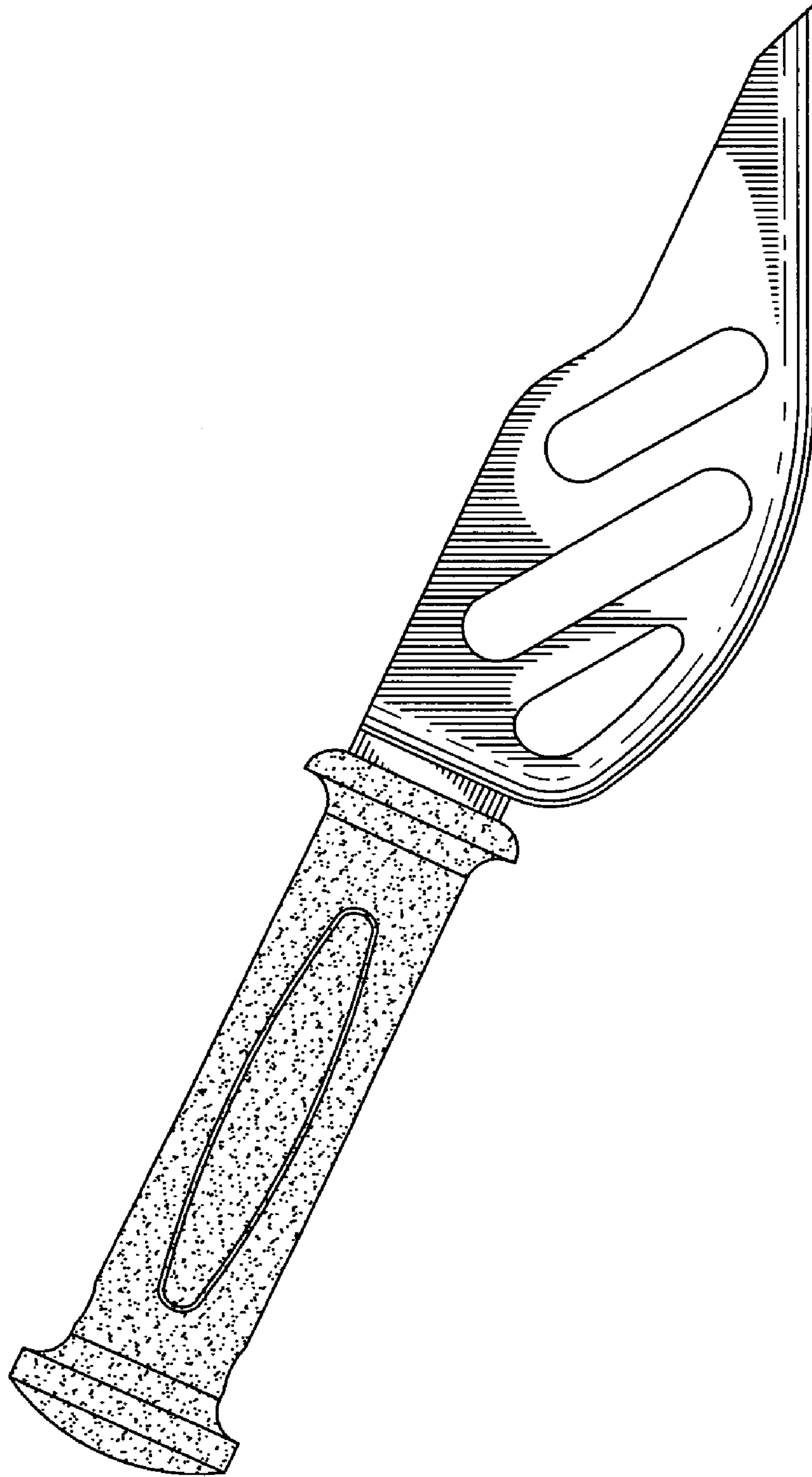


FIG. 2

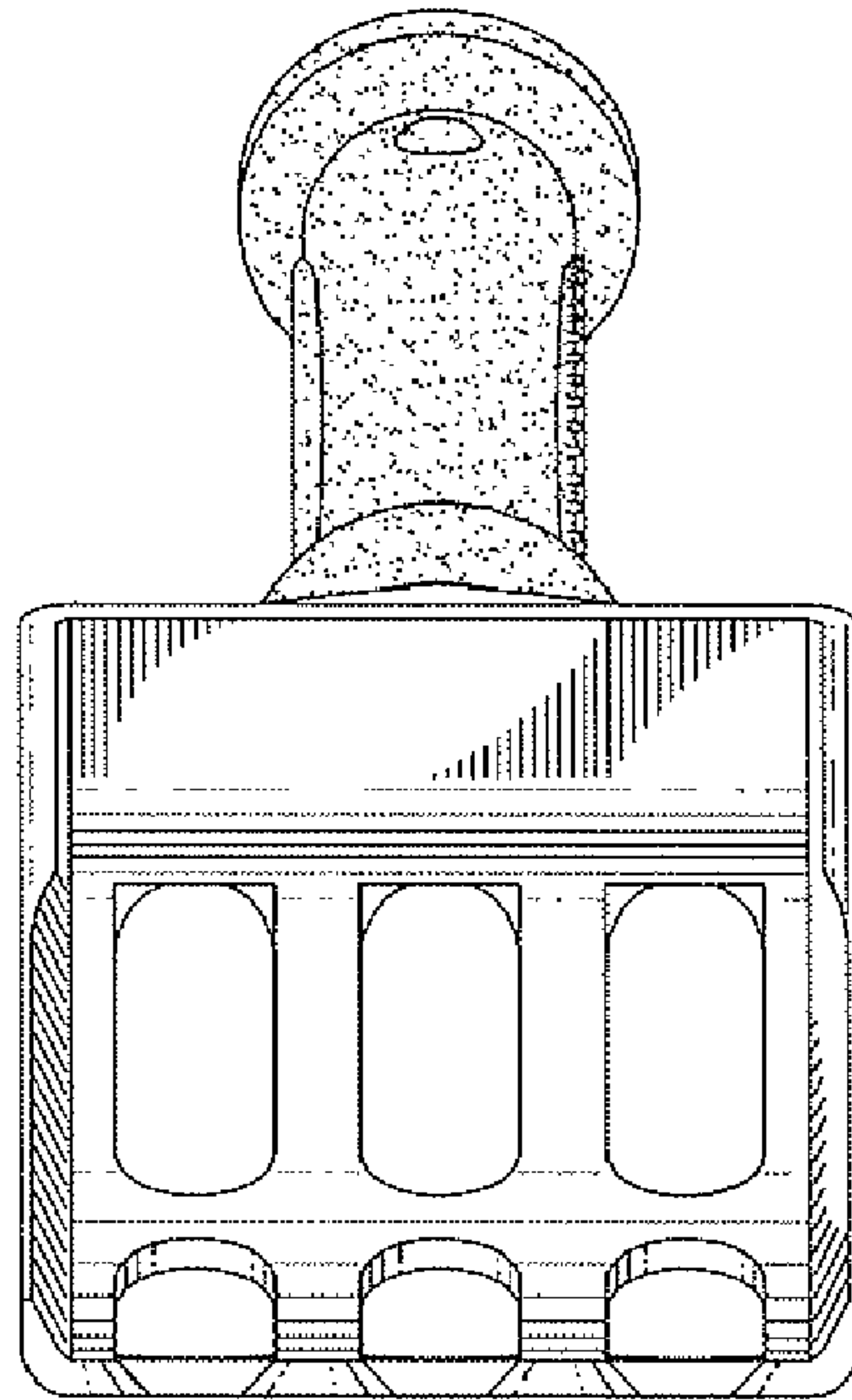


FIG. 3

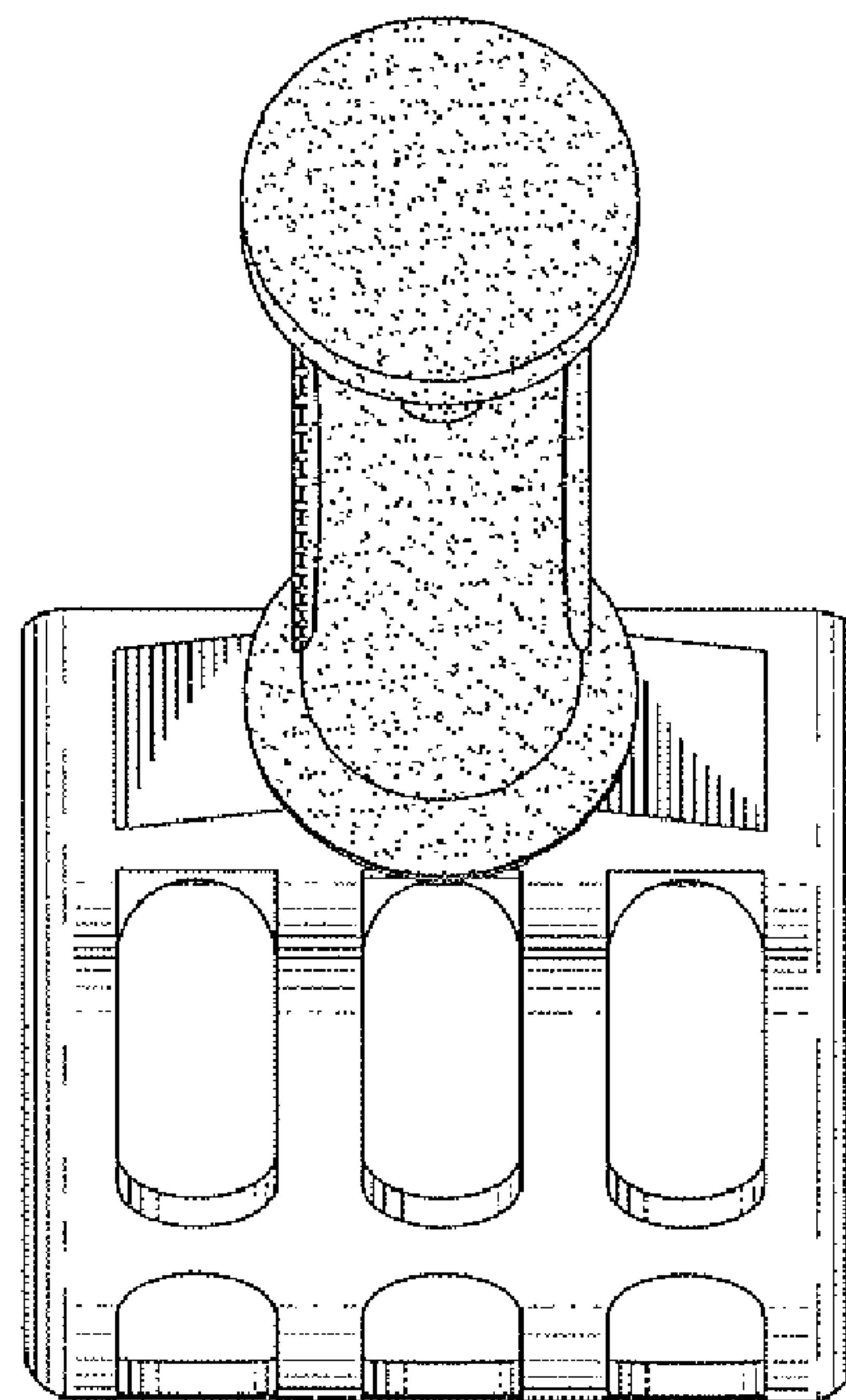


FIG. 4



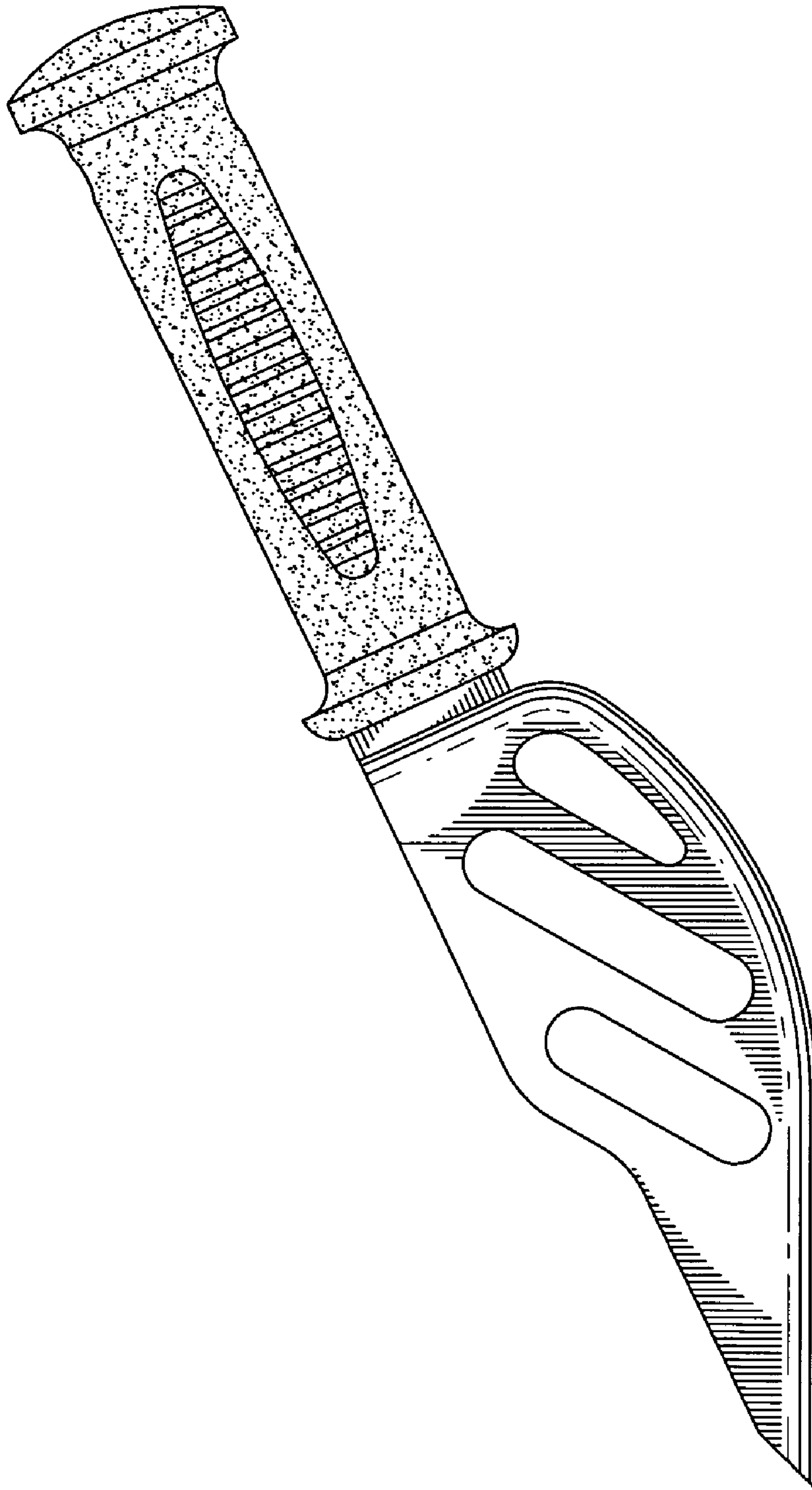


FIG. 5

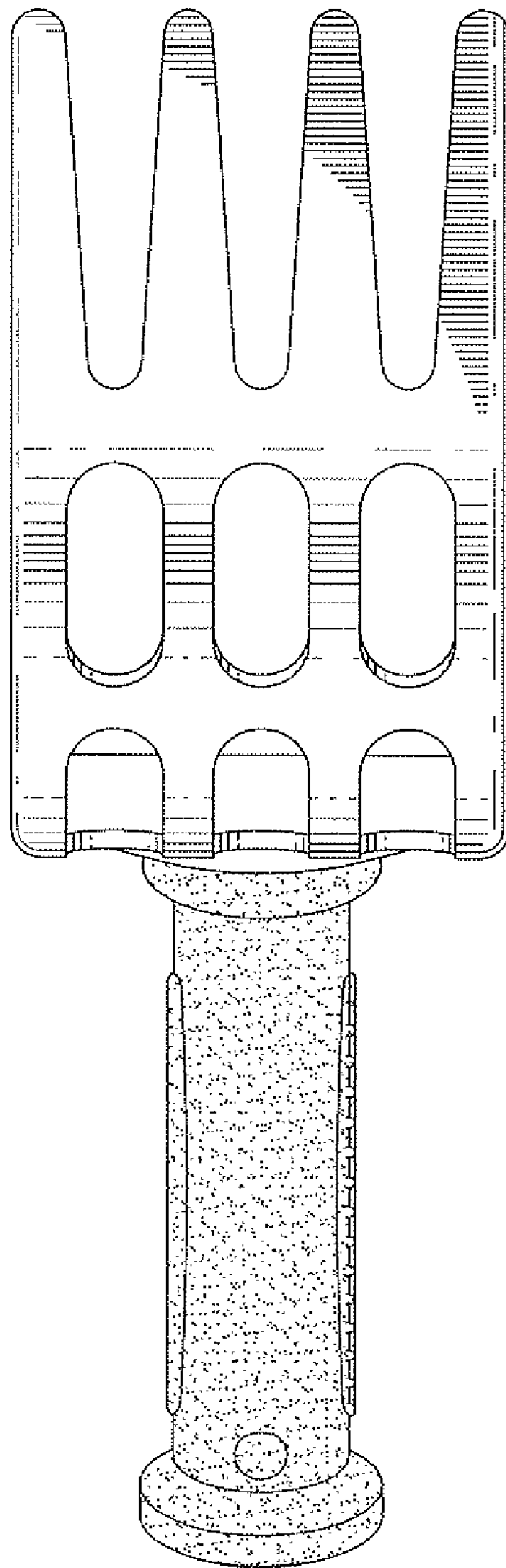


FIG. 5

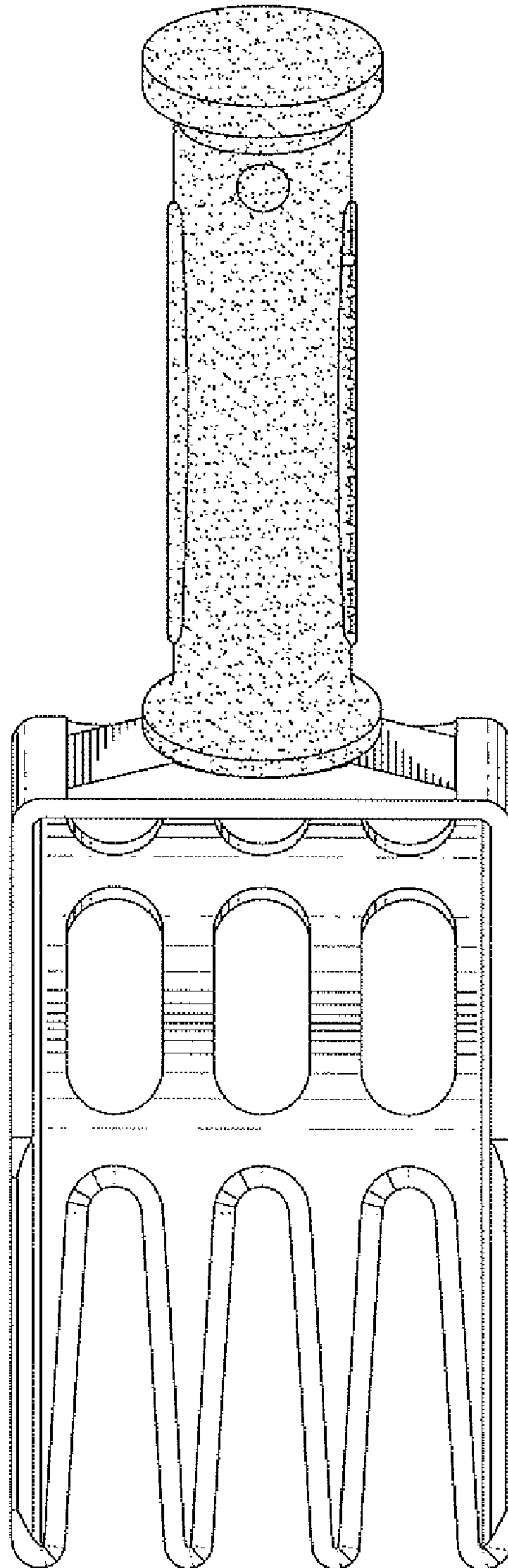


FIG. 7