



US00D583201S

(12) **United States Design Patent**  
**Carlson**

(10) **Patent No.:** **US D583,201 S**

(45) **Date of Patent:** **\*\* Dec. 23, 2008**

(54) **PLANT WATERING SYSTEM**

(76) **Inventor:** **Paul E. Carlson**, 305 15th Ave., Indian  
Rocks Beach, FL (US) 33785-2817

(\*\*) **Term:** **14 Years**

(21) **Appl. No.:** **29/301,121**

(22) **Filed:** **Feb. 11, 2008**

(51) **LOC (8) Cl.** ..... **08-01**

(52) **U.S. Cl.** ..... **D8/1**

(58) **Field of Classification Search** ..... D8/1,  
D8/2, 14; 47/48.5; D23/200, 266  
See application file for complete search history.

(56) **References Cited**

**U.S. PATENT DOCUMENTS**

2,875,713	A *	3/1959	Shoffner	.....	111/7.1
4,745,706	A *	5/1988	Muza et al.	.....	47/47
D331,865	S *	12/1992	Parker	.....	D8/1
D344,217	S *	2/1994	Weiss	.....	D8/2
D352,345	S *	11/1994	Stieh	.....	D23/213
D373,939	S *	9/1996	Swerdlick et al.	.....	D8/1
D390,429	S *	2/1998	Spero	.....	D8/1
D398,200	S *	9/1998	Neadly et al.	.....	D8/1
D424,894	S *	5/2000	Pottmeyer	.....	D8/1
D427,029	S *	6/2000	Pottmeyer	.....	D8/1

D436,006	S *	1/2001	DeMarino	.....	D8/1
6,241,163	B1 *	6/2001	Bremer	.....	239/271
6,669,113	B2 *	12/2003	Halle	.....	239/320
D565,912	S *	4/2008	Diekmann et al.	.....	D8/1
2002/0134860	A1 *	9/2002	Halle	.....	239/320

\* cited by examiner

*Primary Examiner*—Holly H Baynham

*Assistant Examiner*—Sheryl Lane

(57) **CLAIM**

The ornamental design for a plant watering system, as shown and described.

**DESCRIPTION**

FIG. 1 is a front elevational view of a plant watering system showing my new design. The hose and plants shown in broken lines are for environmental purposes only and form no part of the claimed design.

FIG. 2 is a back elevational view.

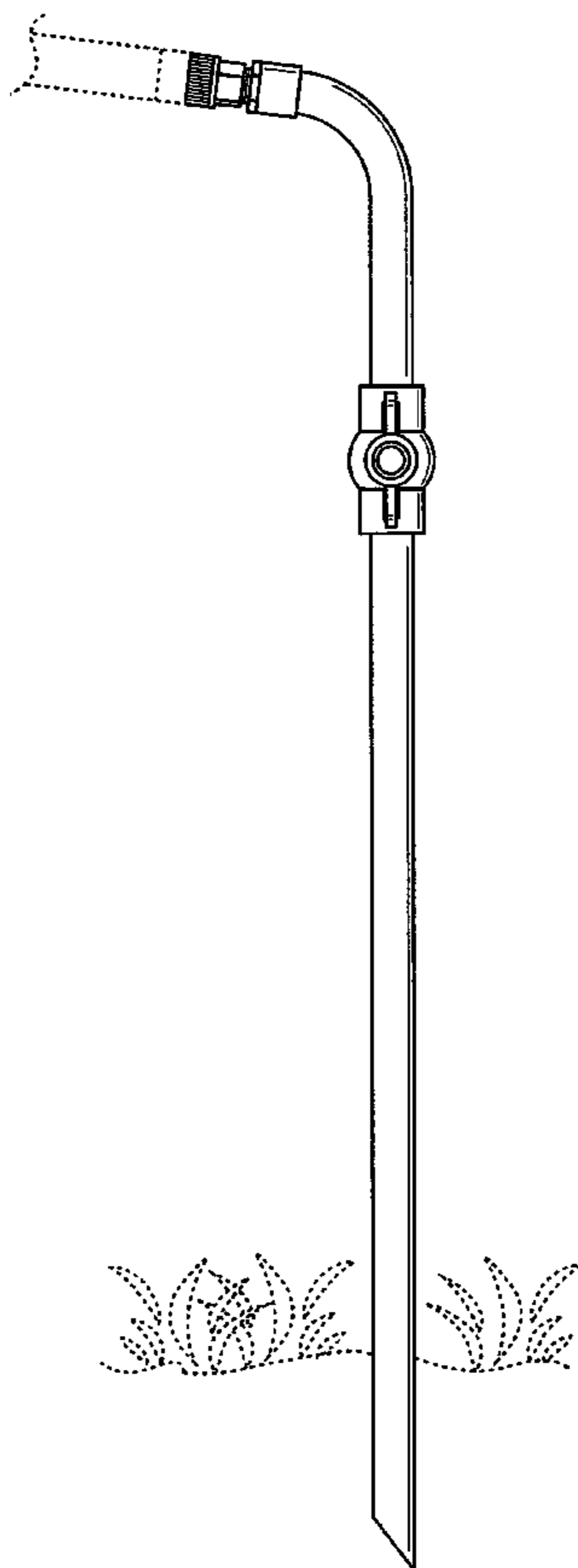
FIG. 3 is a left side elevational view.

FIG. 4 is a right side elevational view.

FIG. 5 is a top plan view; and,

FIG. 6 is a bottom view.

**1 Claim, 3 Drawing Sheets**



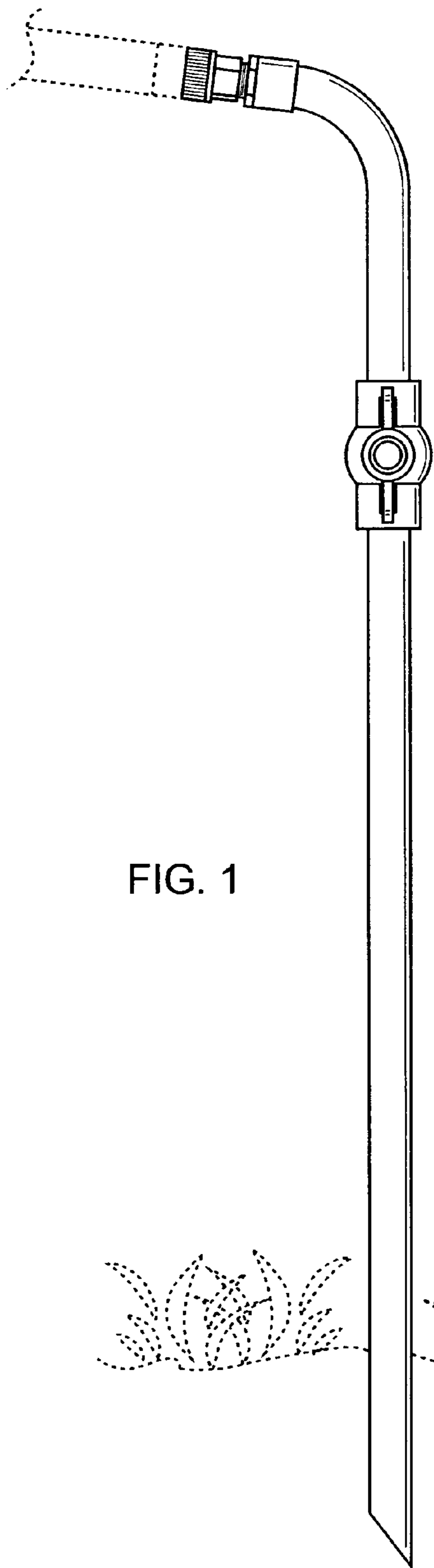


FIG. 1

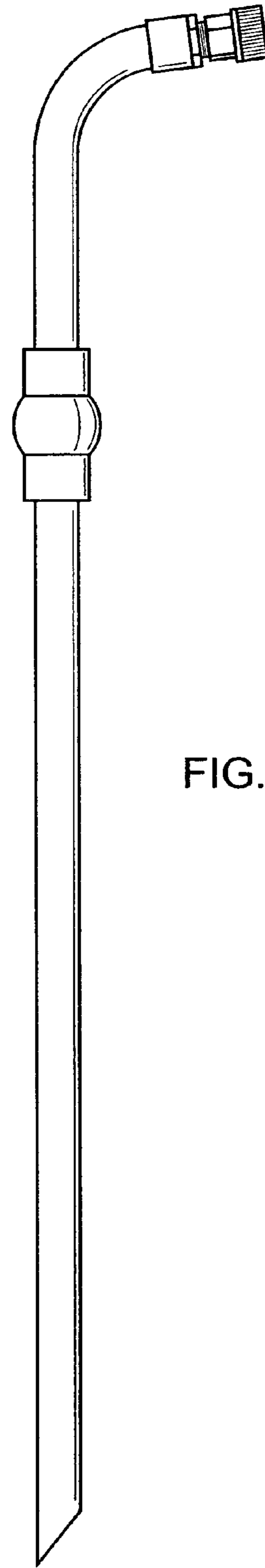
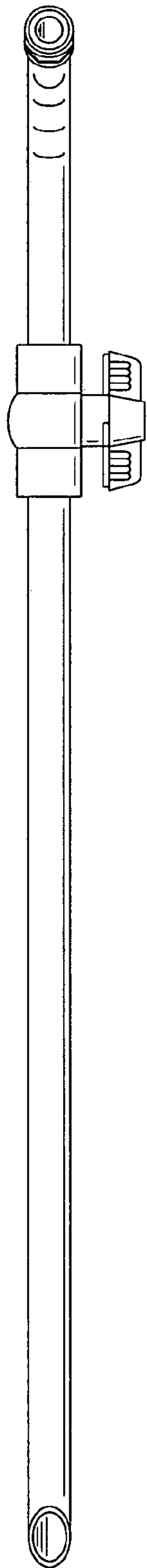
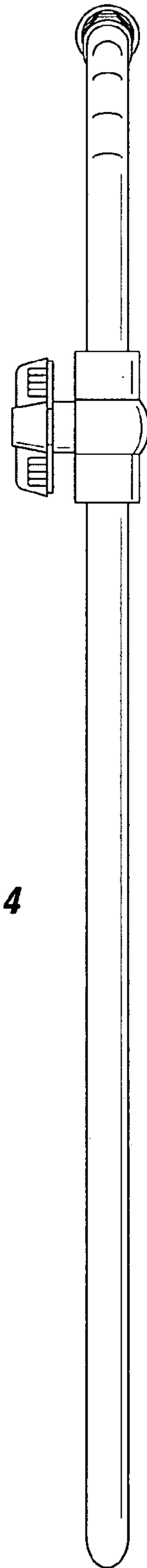


FIG. 2





**FIG. 3**



**FIG. 4**

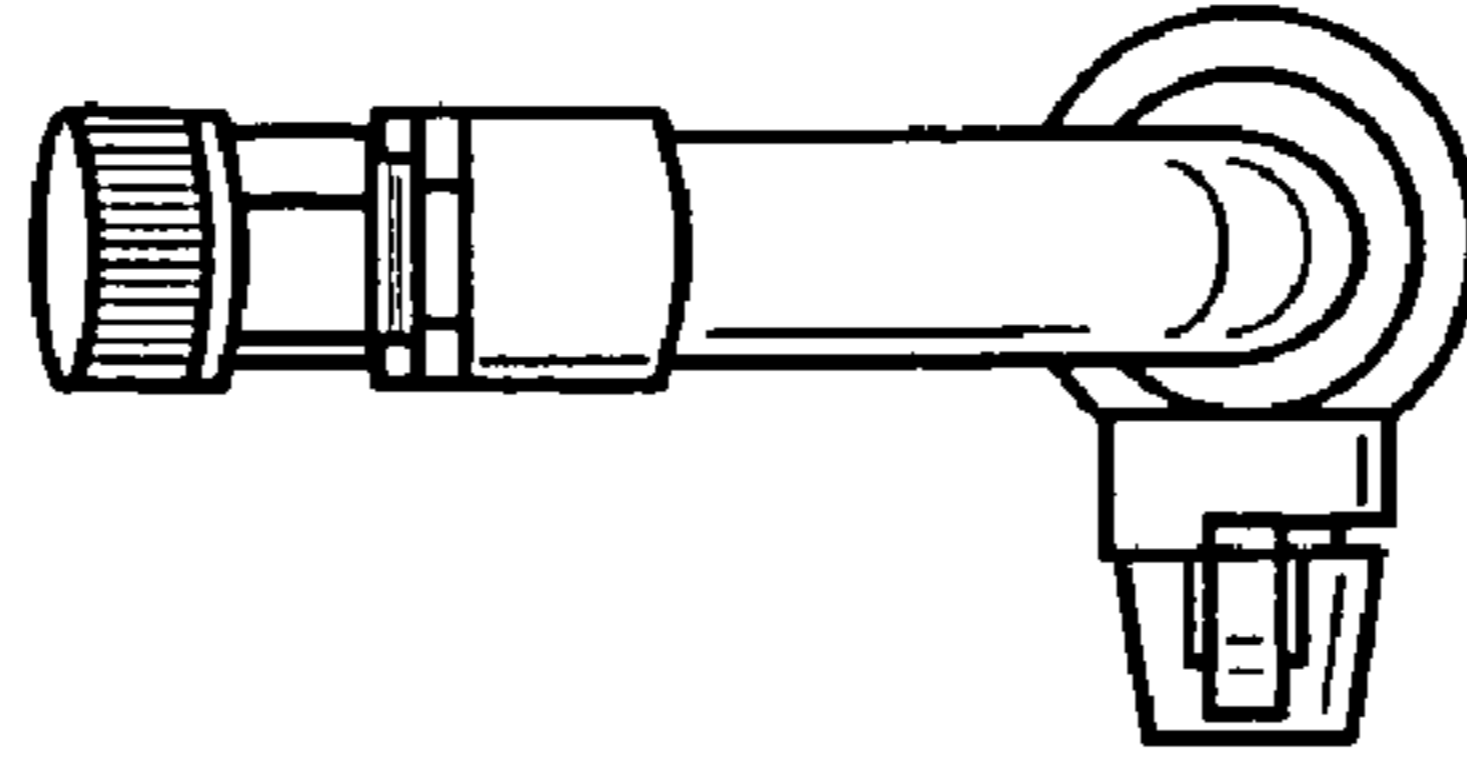


FIG. 5

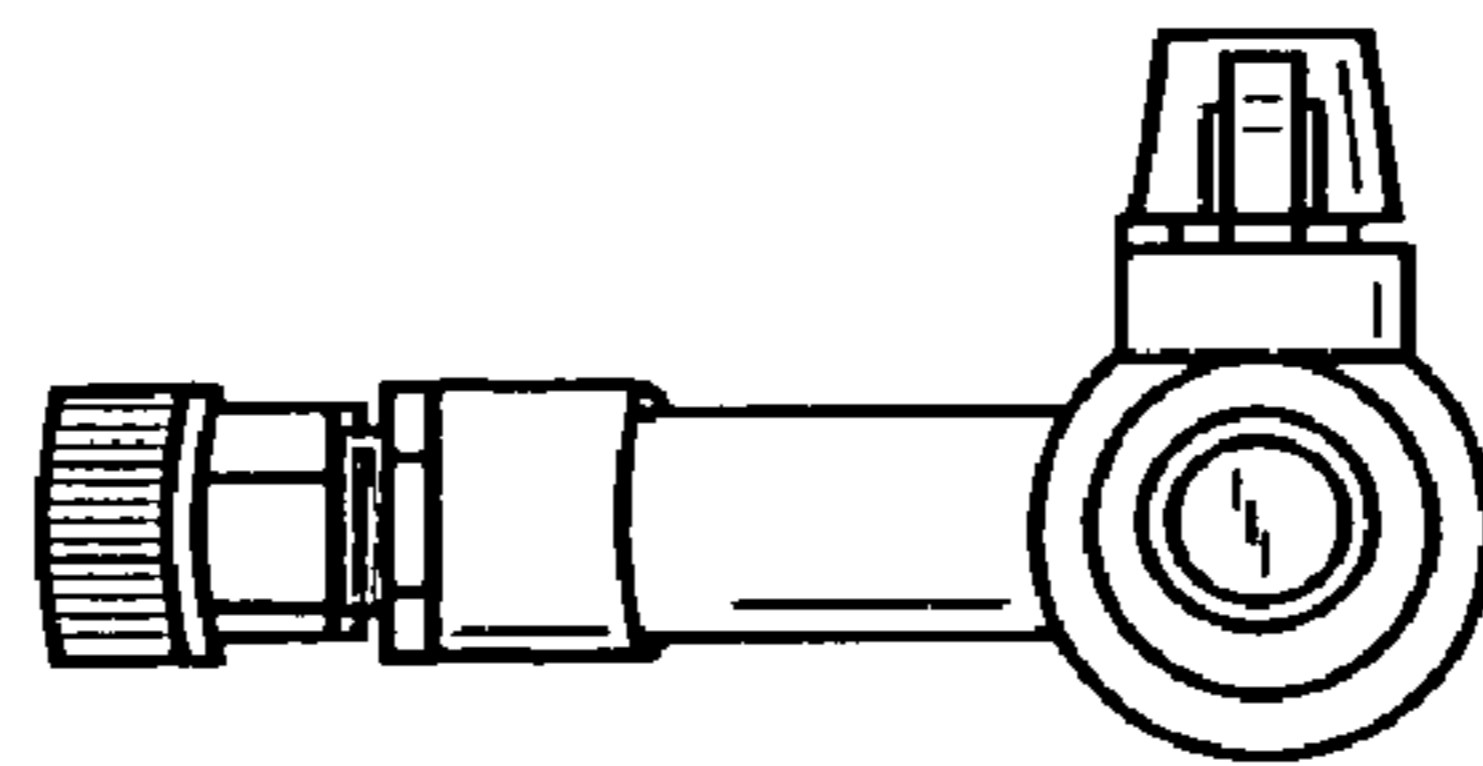


FIG. 6