



US00D583200S

(12) **United States Design Patent**  
**Moran**

(10) **Patent No.:** **US D583,200 S**  
(45) **Date of Patent:** **\*\* Dec. 23, 2008**

(54) **STACKABLE FOOD CONTAINER SYSTEM**

(75) Inventor: **Jorge E. Moran**, Nashville, TN (US)

(73) Assignee: **Megatrade International, Inc.**,  
Nashville, TN (US)

(\*\*) Term: **14 Years**

(21) Appl. No.: **29/263,924**

(22) Filed: **Aug. 1, 2006**

(51) **LOC (8) Cl.** ..... **07-99**

(52) **U.S. Cl.** ..... **D7/709; D7/629**

(58) **Field of Classification Search** ..... D7/605-608,  
D7/612-615, 709, 710; 62/457.1-457.9,  
62/371, 372; 206/216, 223, 541-549, 217;  
220/592.16, 592.17, 592.22, 592.23, 592.27,  
220/4.27; 215/6, 12.1, 12.2, 13.1

See application file for complete search history.

(56) **References Cited**

U.S. PATENT DOCUMENTS

3,207,359	A *	9/1965	Heisler et al.	.....	206/509
3,369,691	A *	2/1968	Wei	.....	220/4.27
D254,180	S *	2/1980	Morin	.....	D7/612
D261,088	S *	10/1981	Akimov et al.	.....	D7/608
D268,469	S *	4/1983	Ruxton et al.	.....	D7/608
4,474,303	A *	10/1984	Maccise	.....	220/4.27
4,537,044	A *	8/1985	Putnam	.....	62/371
4,978,023	A *	12/1990	Behlmann et al.	.....	220/23.6
D369,525	S *	5/1996	Winters	.....	D7/608
D372,172	S *	7/1996	Morales Segura	.....	D7/608
D376,075	S *	12/1996	Morales Segura	.....	D7/709
D381,872	S *	8/1997	Lin	.....	D7/612
5,787,839	A *	8/1998	Magnant et al.	.....	119/51.5
D405,654	S *	2/1999	Moran	.....	D7/629
6,032,481	A *	3/2000	Mosby	.....	62/457.2
D453,448	S *	2/2002	Segura	.....	D7/608
D479,785	S *	9/2003	Schuler	.....	D7/629
D516,877	S *	3/2006	Schmidt	.....	D7/629
D546,131	S *	7/2007	Morales	.....	D7/608

\* cited by examiner

Primary Examiner—Terry A Wallace

(74) Attorney, Agent, or Firm—Hunton & Williams LLP

(57) **CLAIM**

The ornamental design for a stackable food container system, as shown and described.

**DESCRIPTION**

FIG. 1 depicts an exploded perspective view of a stackable food container system.

FIG. 2 depicts a side view of the stackable food container system.

FIG. 3 depicts a top view of a lid for the stackable food container system.

FIG. 4 depicts an exploded view of the stackable food container system.

FIG. 5 depicts a top view of a lid.

FIG. 6 depicts a perspective view of a container.

FIG. 7 depicts a perspective view of a container with a lid.

FIG. 8 depicts an exploded perspective view of a container and a lid.

FIG. 9 depicts a side view of an outer container and a lid.

FIG. 10 depicts a perspective view of the outer container and the lid.

FIG. 11 depicts an exploded side view of the stackable food container system.

FIG. 12 depicts a perspective view of a top container with a lid.

FIG. 13 depicts an exploded side view of the top container and the lid.

FIG. 14 depicts a top view of the top container.

FIG. 15 depicts an exploded side view of stacked containers.

FIG. 16 depicts a portion of FIG. 15 enlarged for magnification purposes.

FIG. 17 depicts a perspective view of a top container.

FIG. 18 depicts a top view of a second container with containers stacked inside.

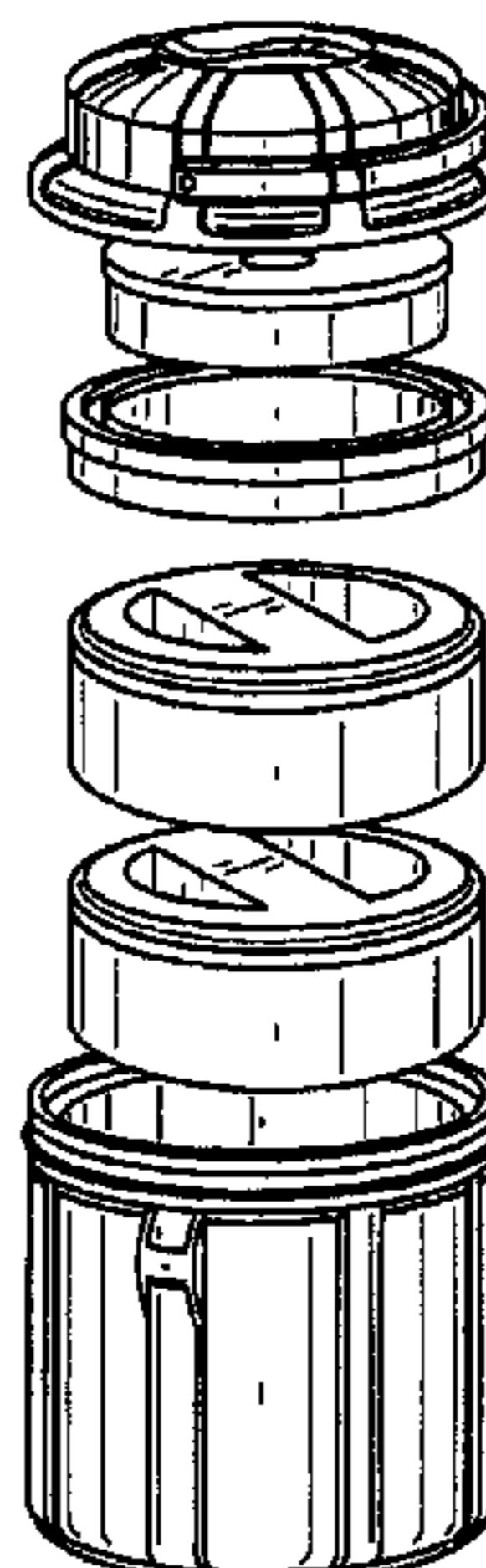


FIG. 19 depicts a top view of the second container with a lid.

FIG. 20 depicts an exploded side view of the second container.

FIG. 21 depicts a perspective view of the outer container with the lid removed.

FIG. 22 depicts a portion of FIG. 21 enlarged for magnification purposes.

FIG. 23 depicts a portion of FIG. 22 enlarged for magnification purposes.

FIG. 24 depicts an exploded side view of a third and fourth container.

FIG. 25 depicts an exploded cross sectional view of the third and fourth container.

FIG. 26 depicts a perspective view of an inner lid of the third and fourth container.

FIG. 27 depicts a top view of the inner lid.

FIG. 28 depicts an exploded side view of the inner lid.

FIG. 29 depicts a side view of an outer container with a lid.

FIG. 30 depicts a perspective view of a shoulder strap attachment point.

FIG. 31 depicts a perspective view of a shoulder strap attachment point.

FIG. 32 depicts a front view of a shoulder strap attachment point; and,

FIG. 33 depicts a side view of a shoulder strap attachment point.

Parts of the claimed design, lid, containers, strap portion, are shown separately for clarity of illustration.

**1 Claim, 12 Drawing Sheets**

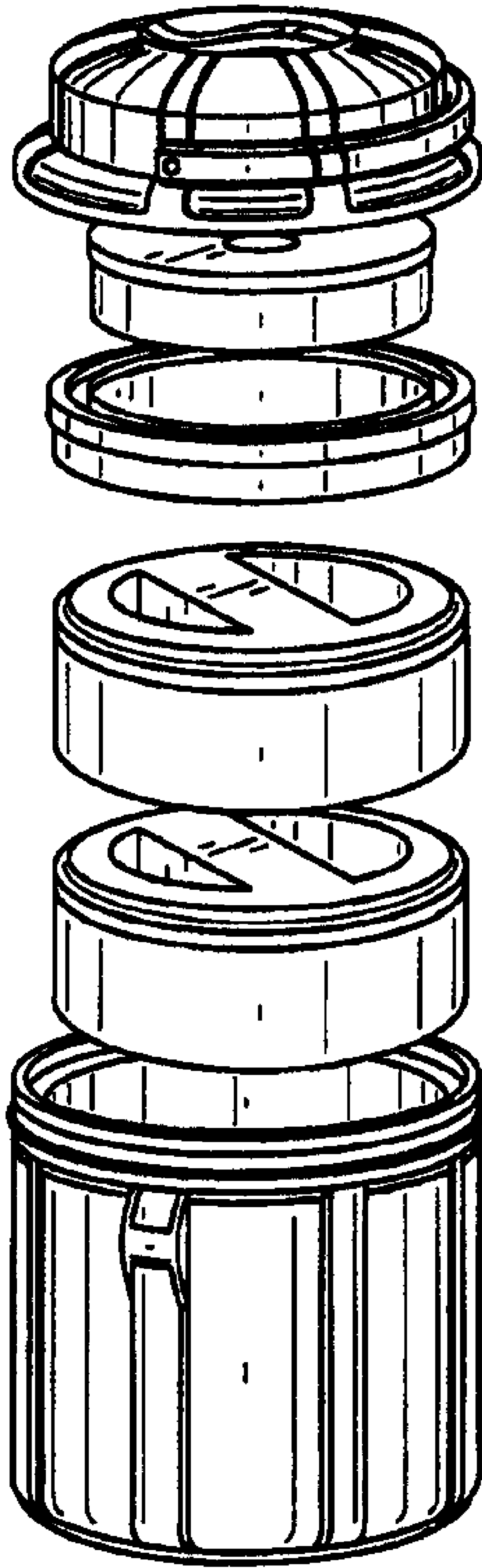


FIG. 1

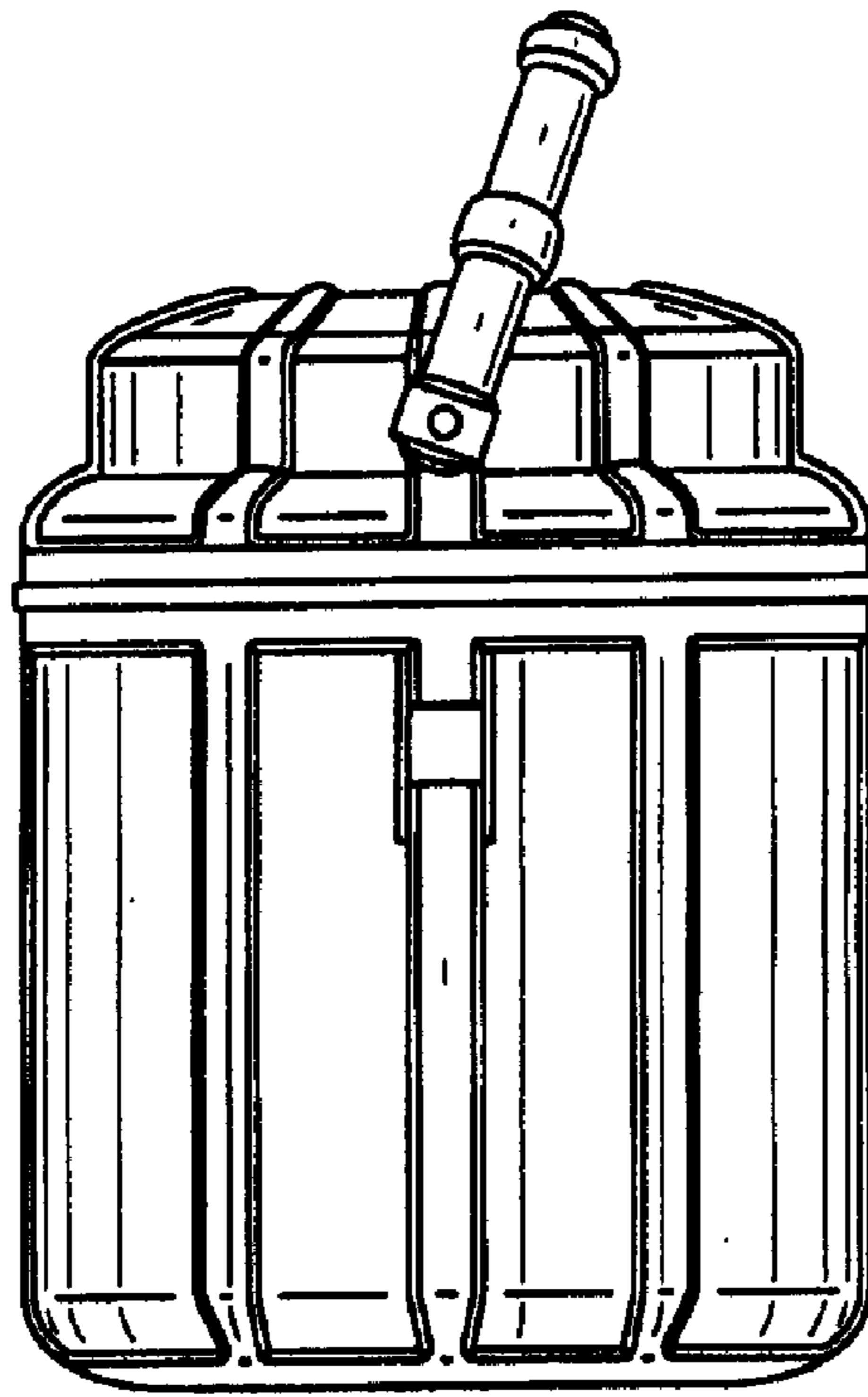


FIG. 2

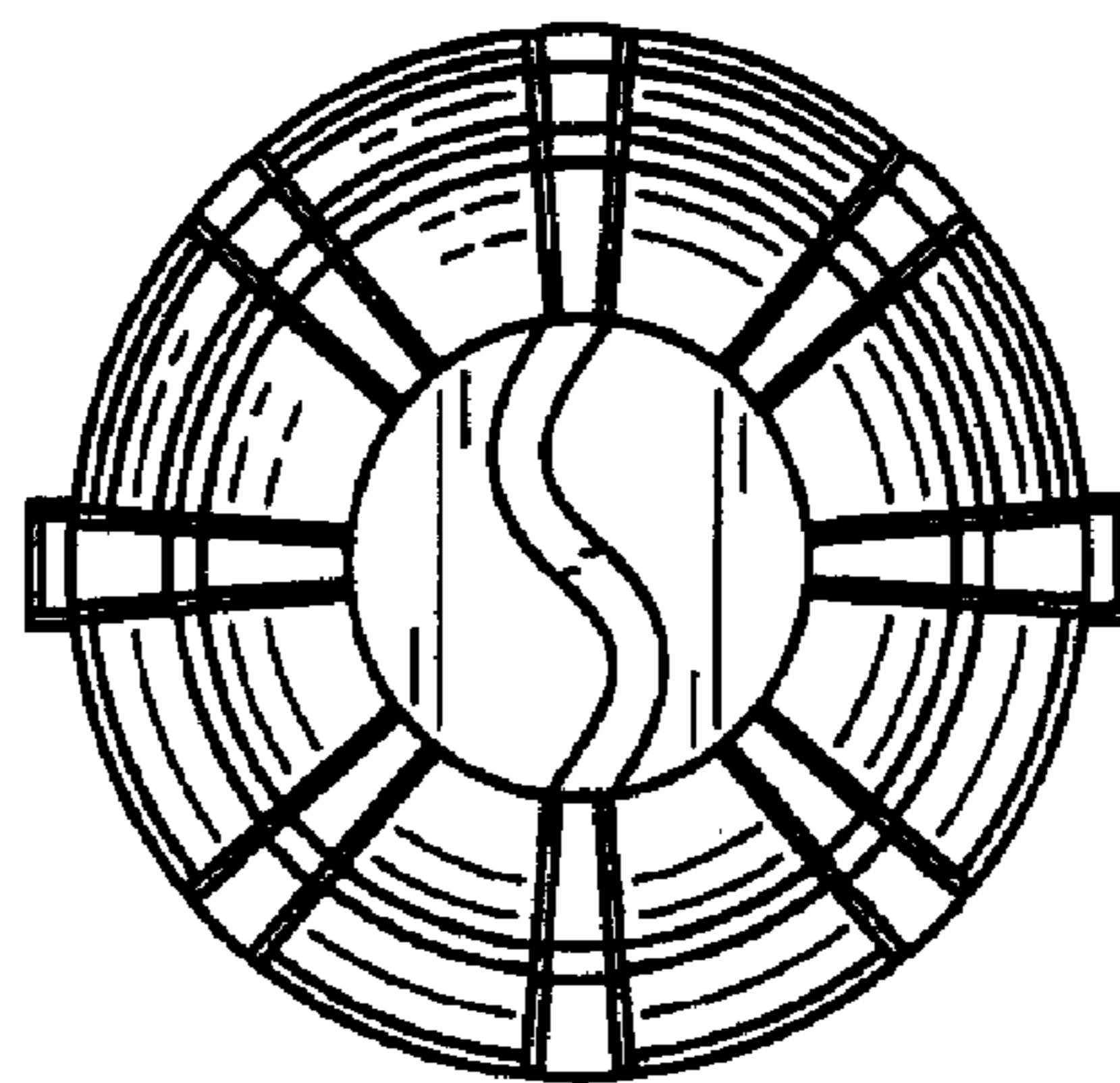


FIG. 3

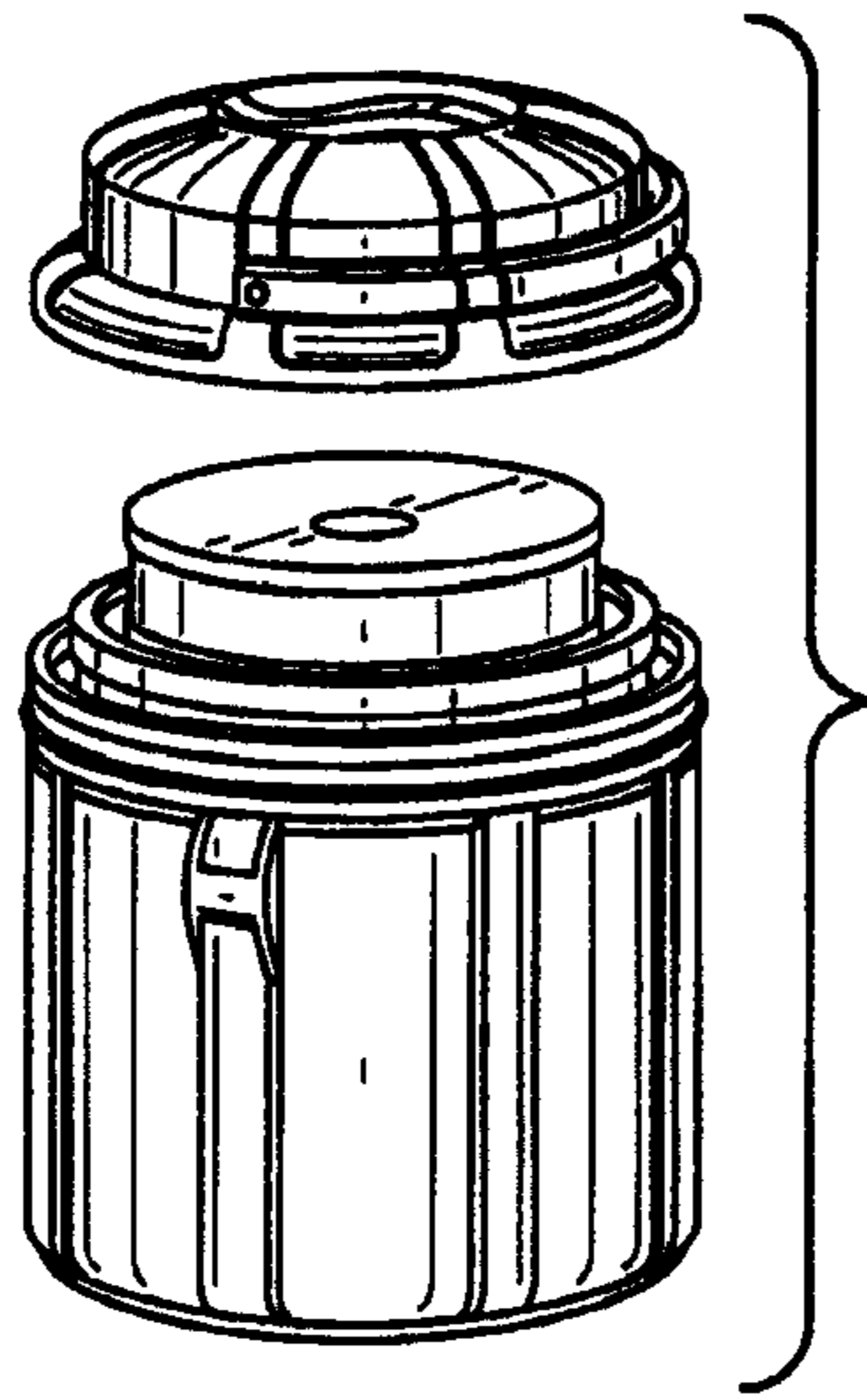


FIG. 4

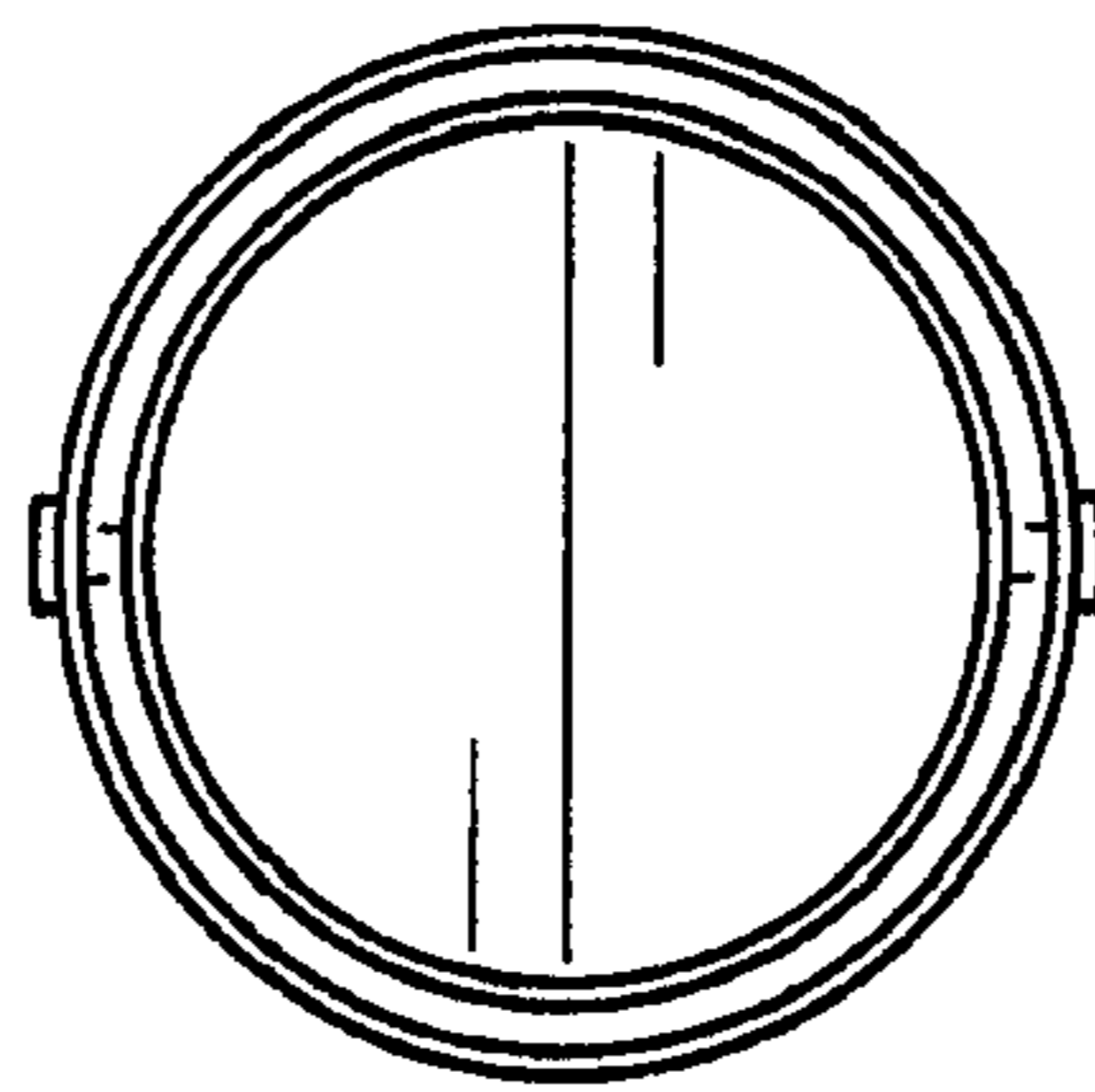


FIG. 5

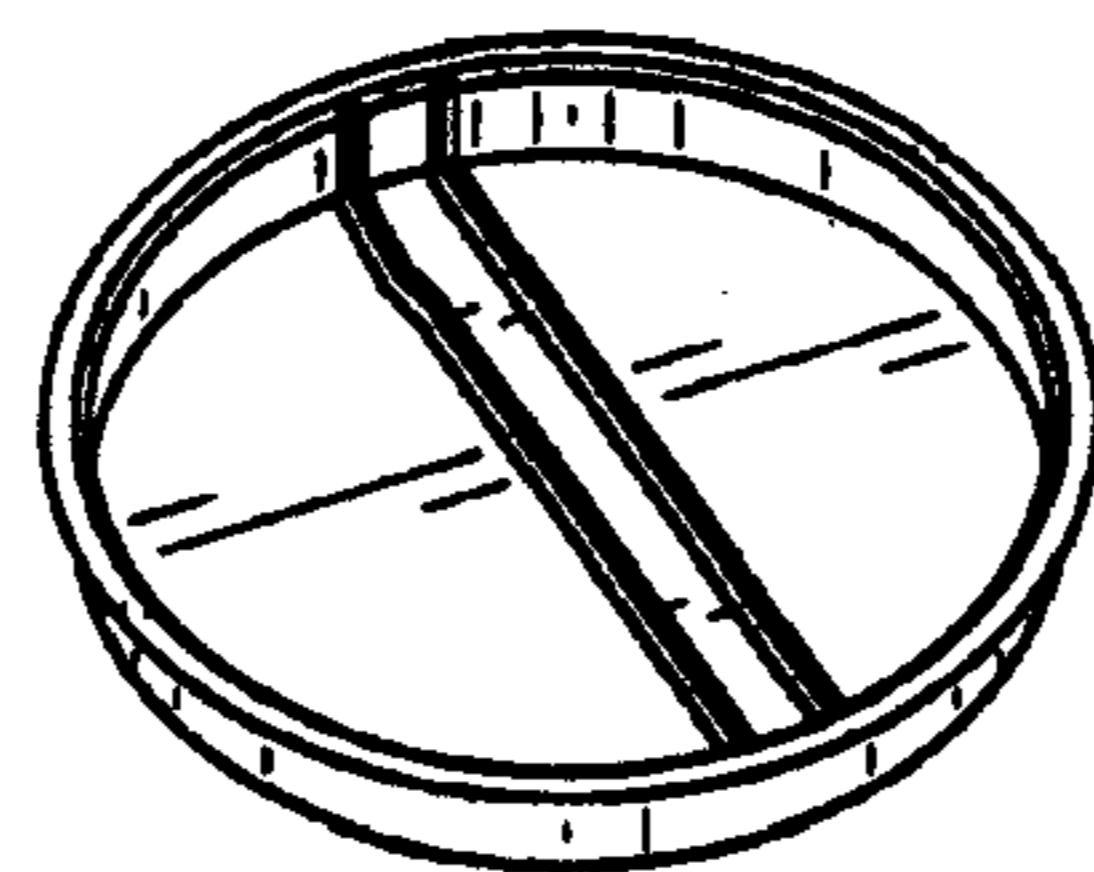


FIG. 6

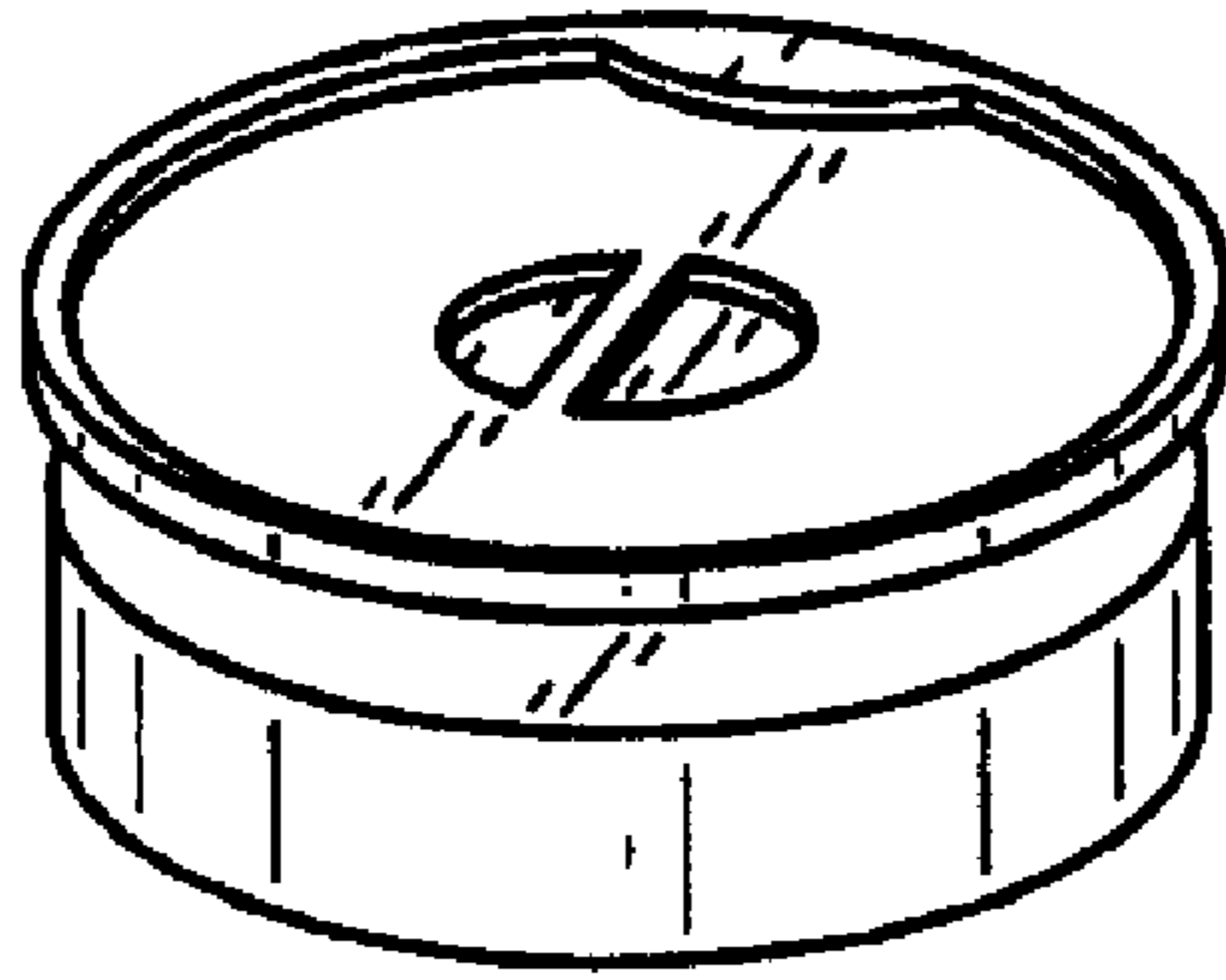


FIG. 7

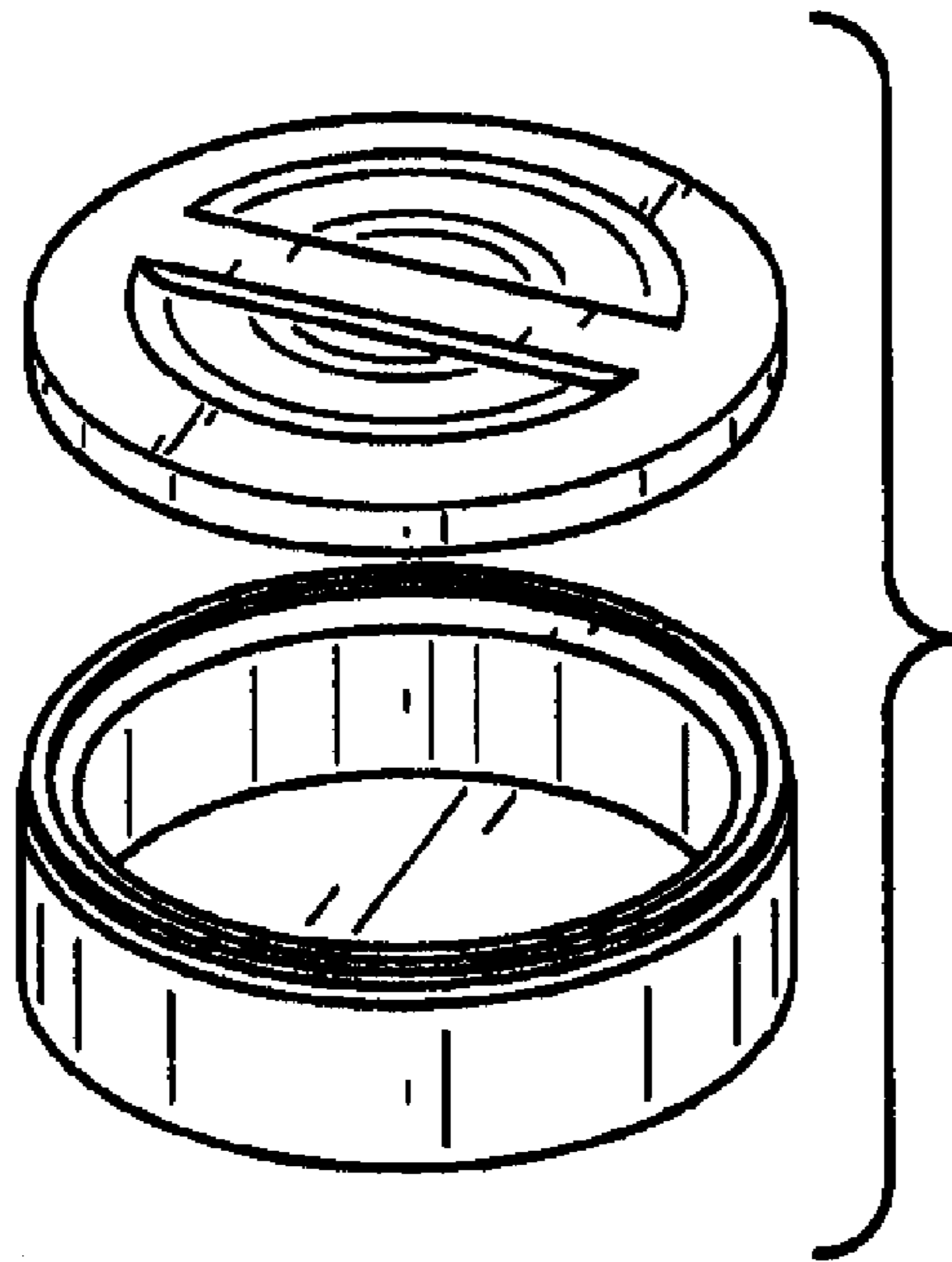


FIG. 8

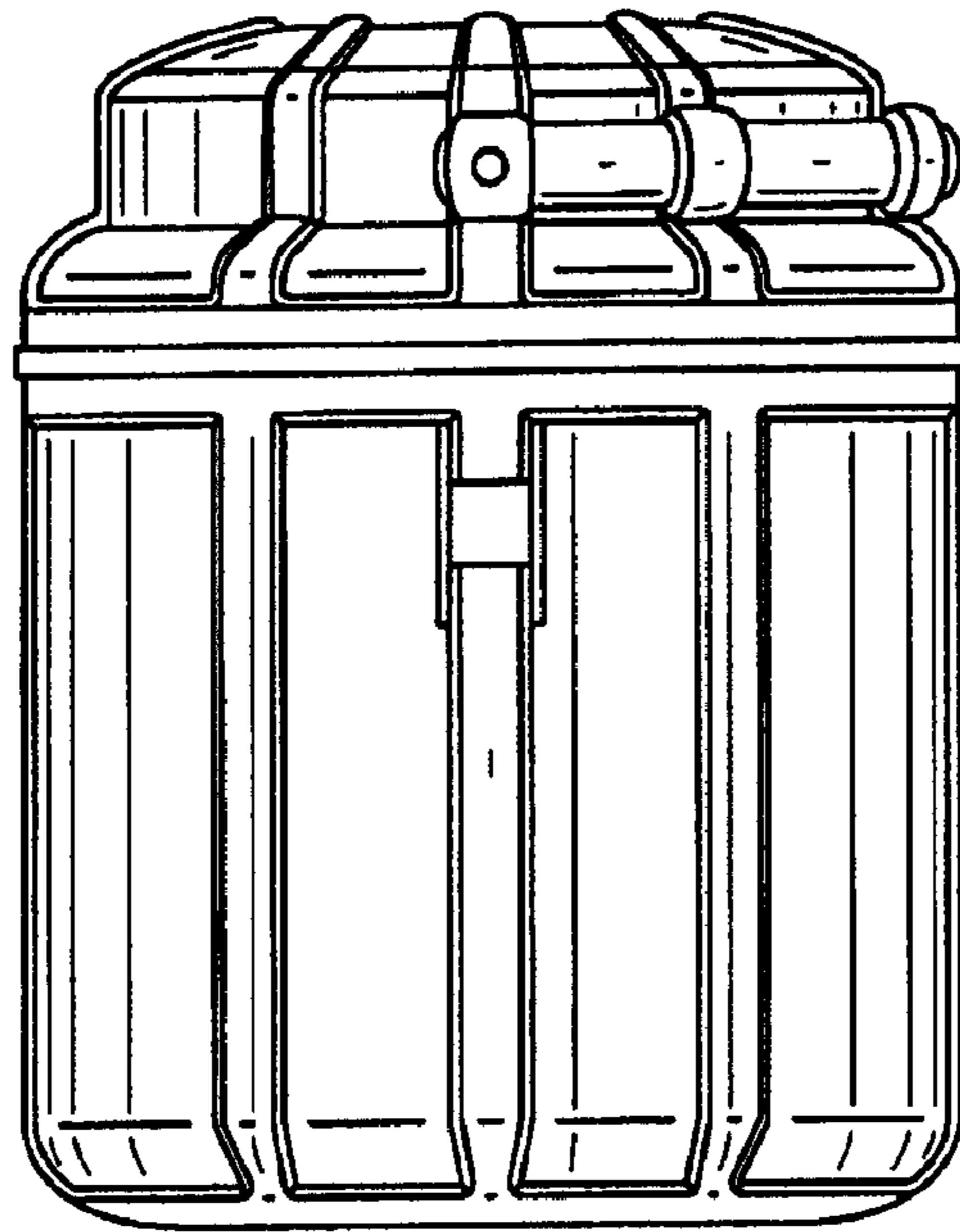


FIG. 9

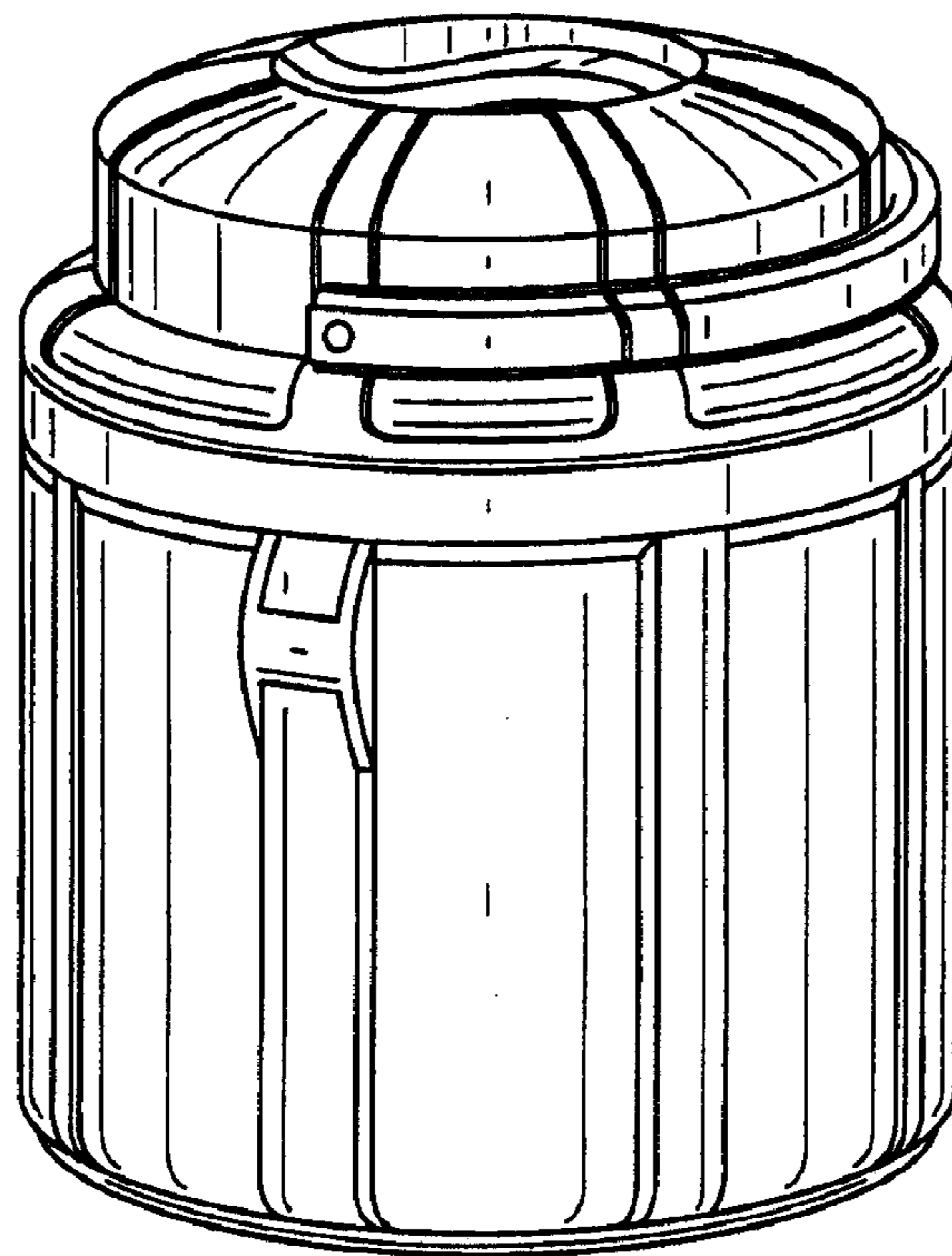


FIG. 10

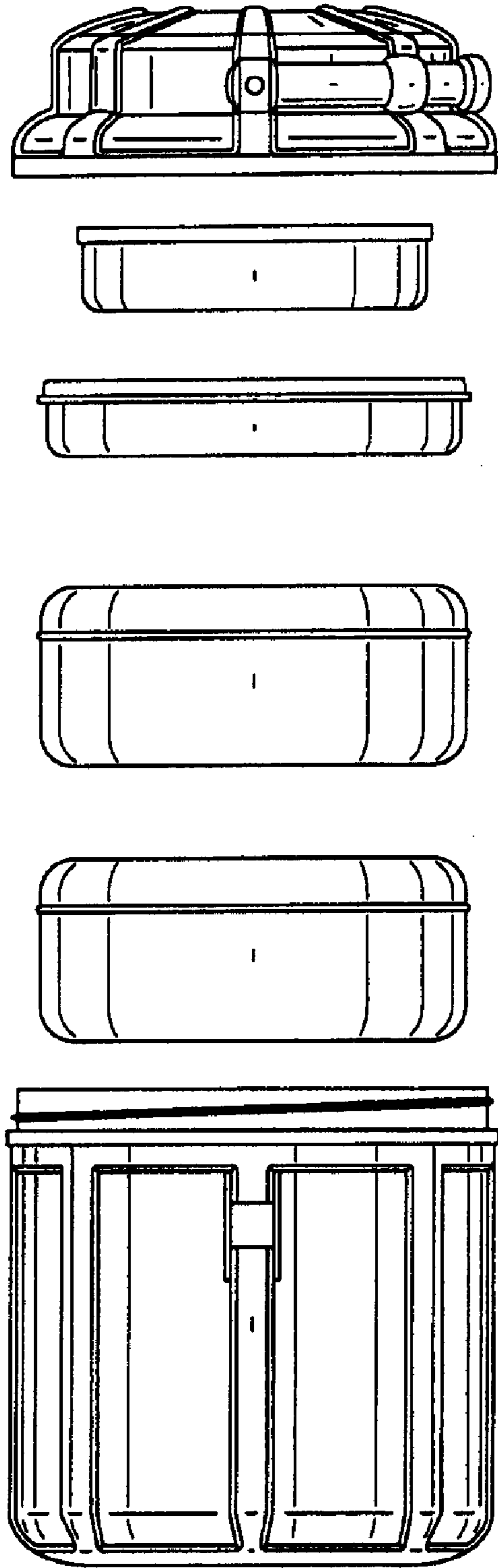


FIG. 11



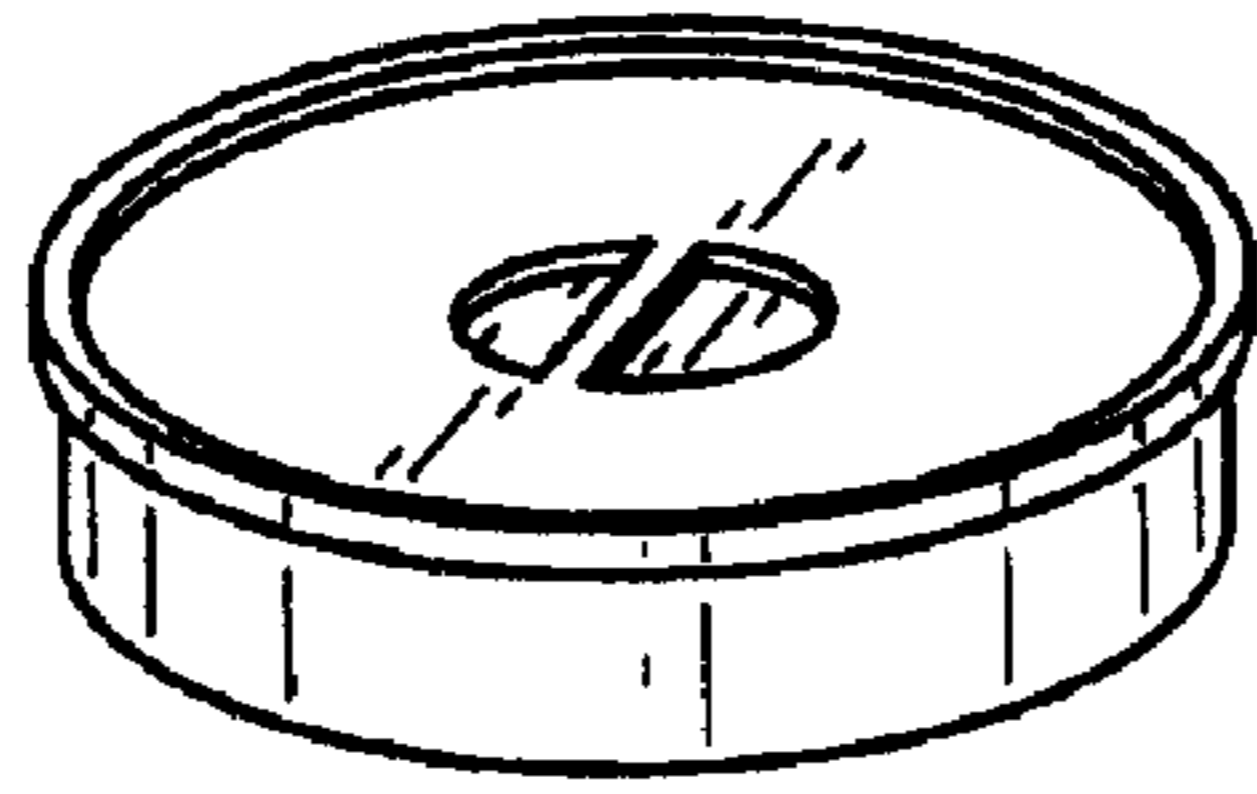


FIG. 12

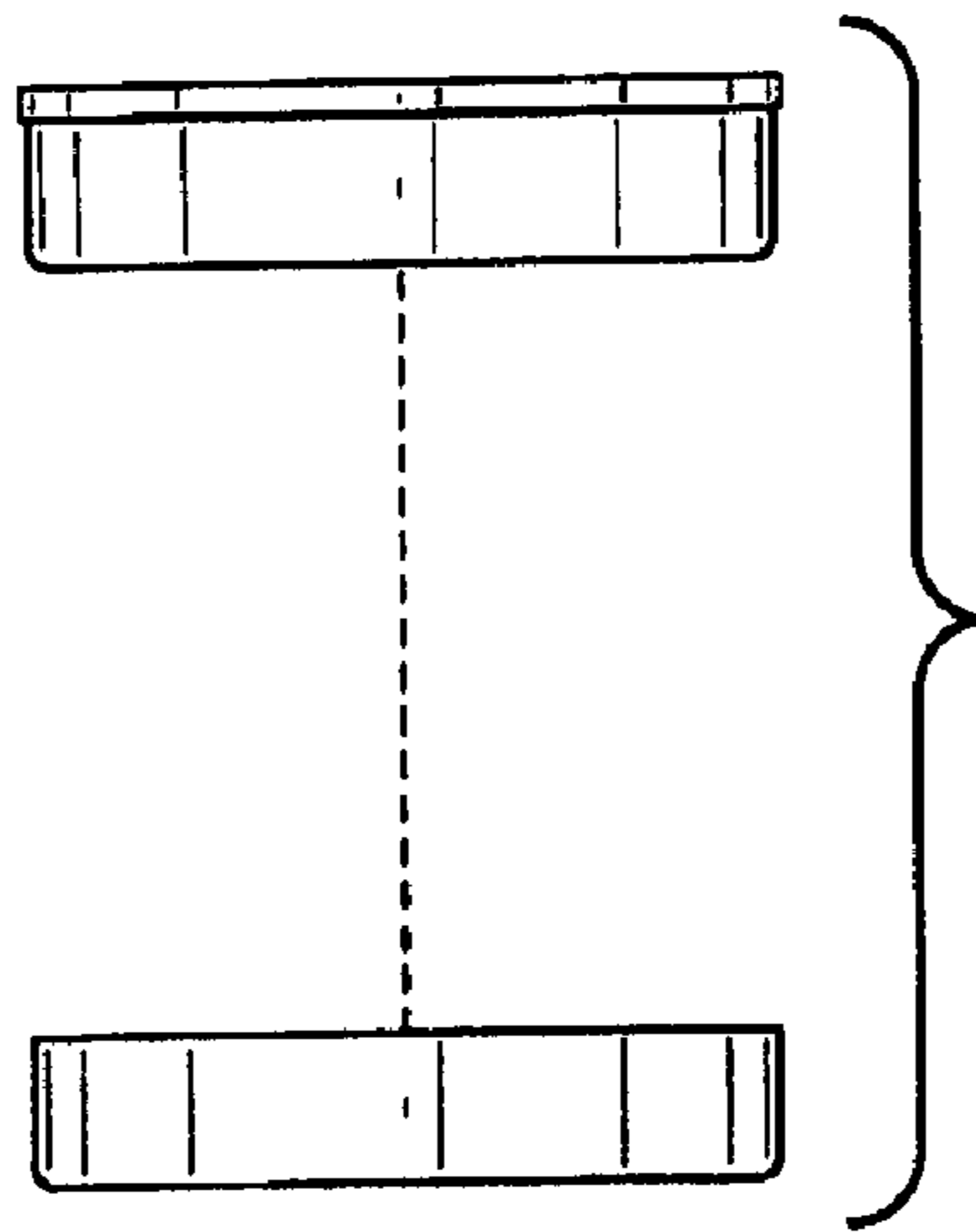


FIG. 13

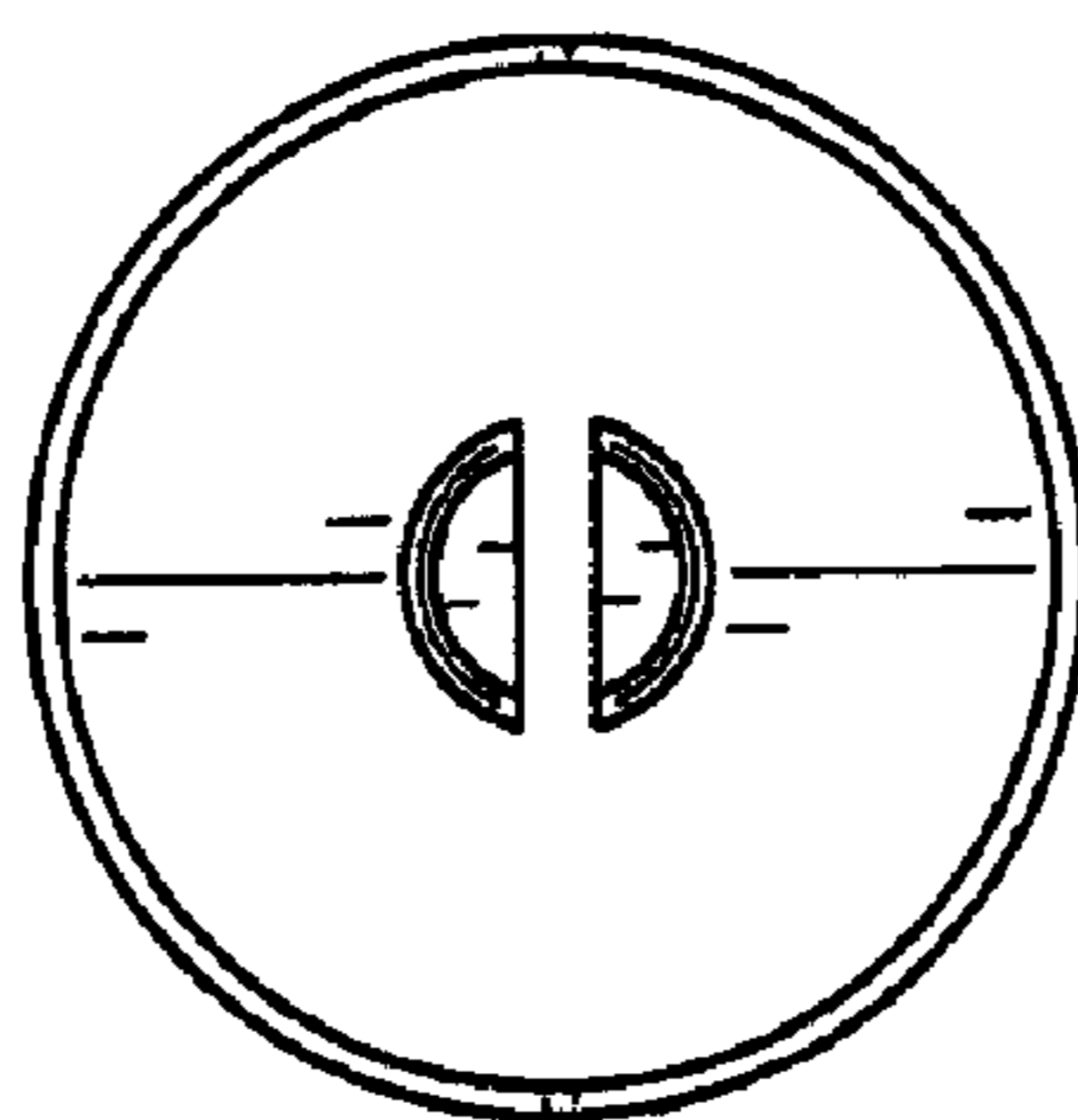


FIG. 14

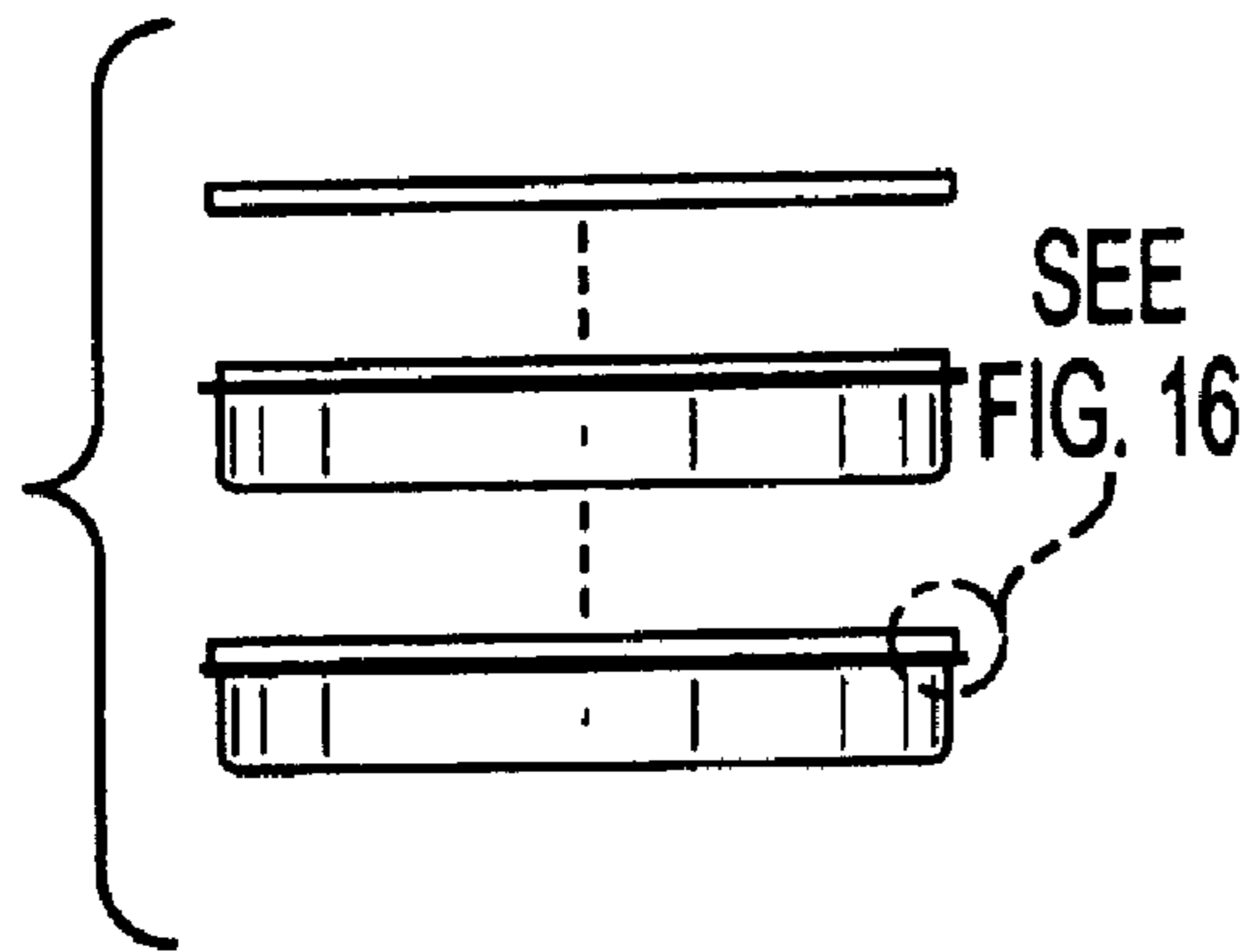


FIG. 15



FIG. 16

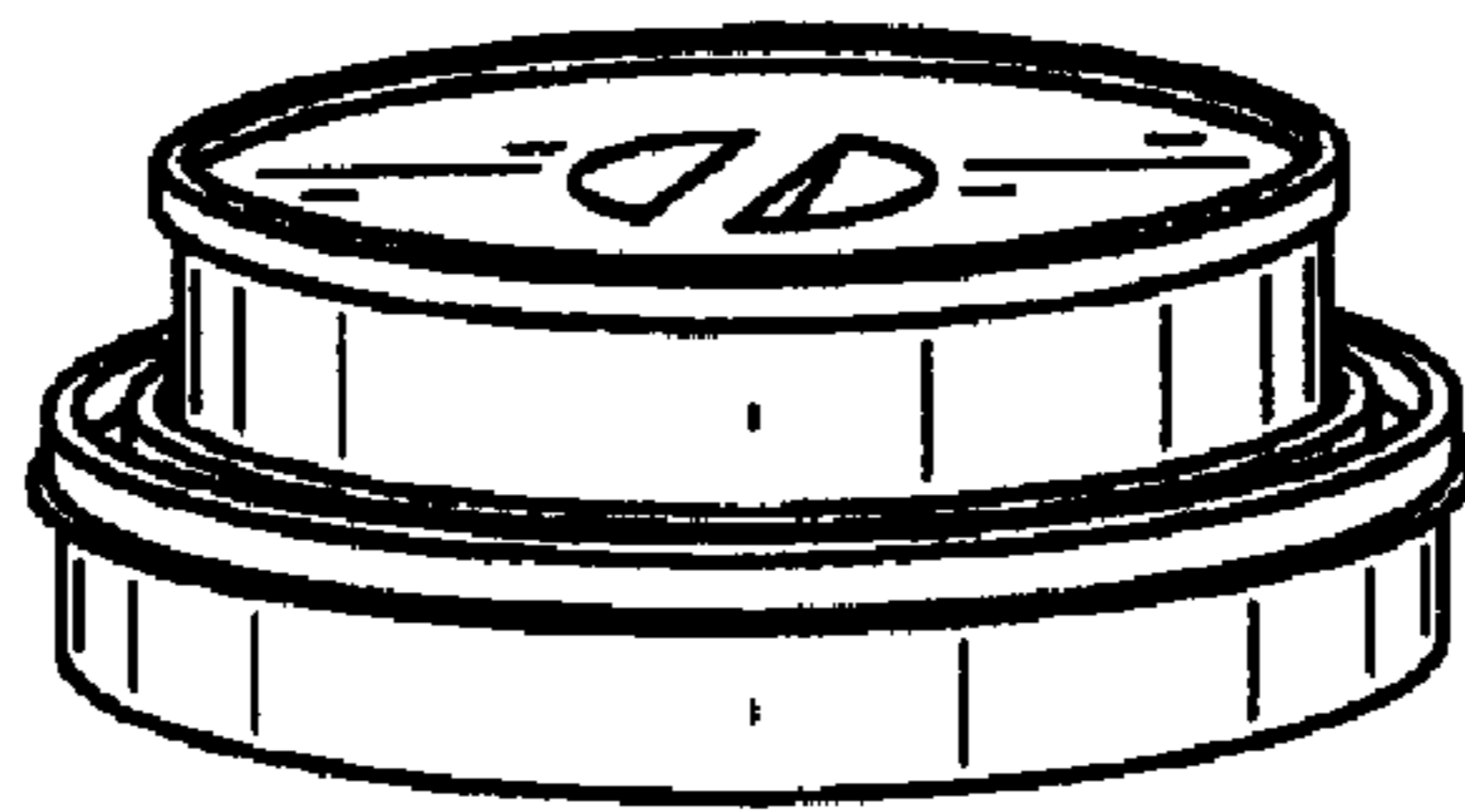


FIG. 17

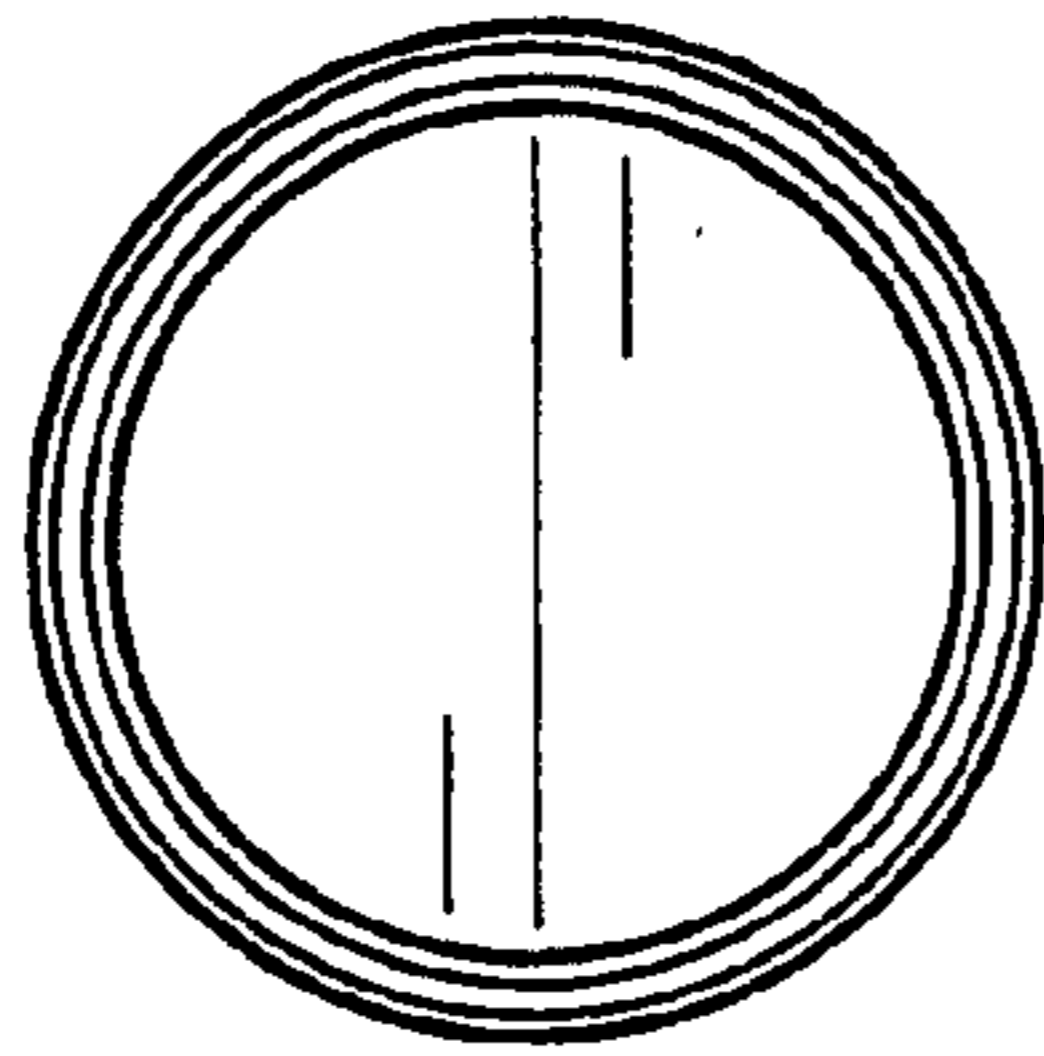


FIG. 18

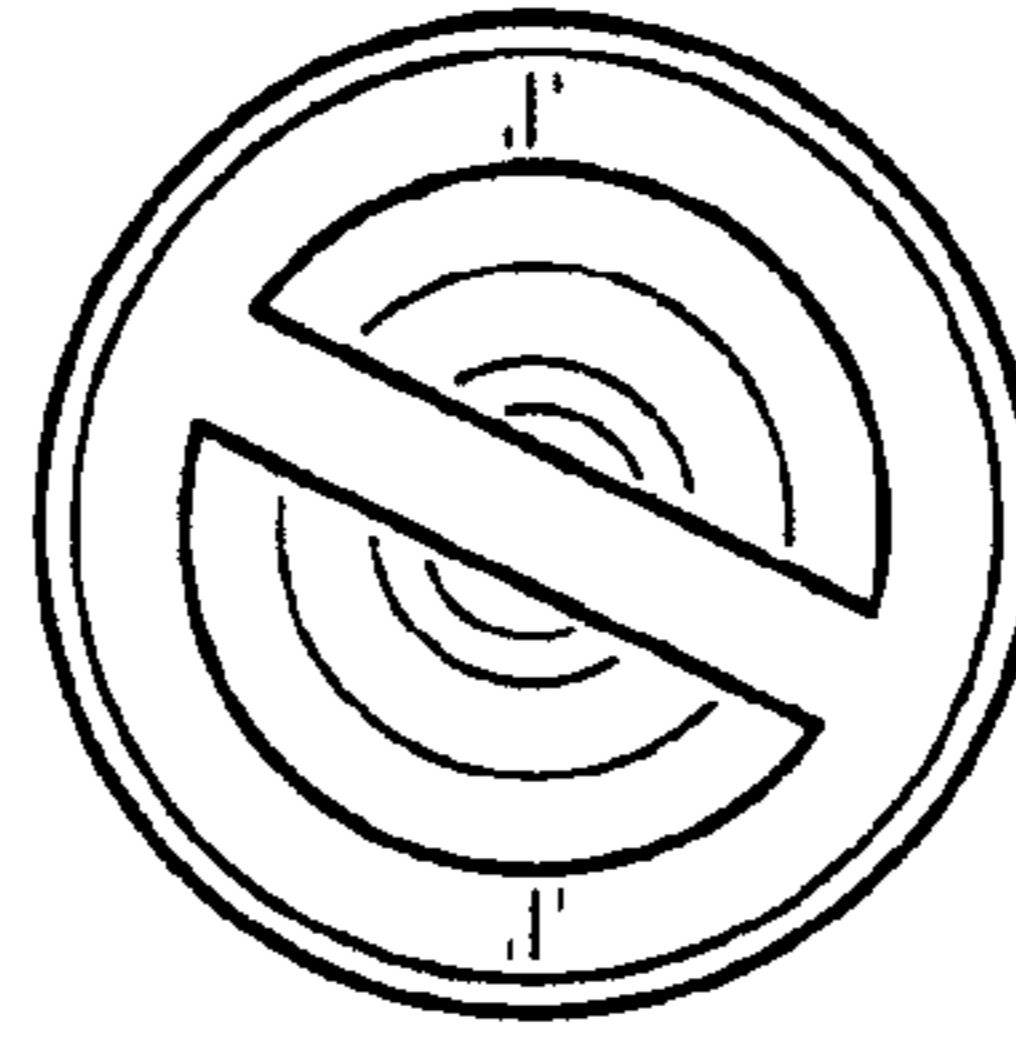


FIG. 19

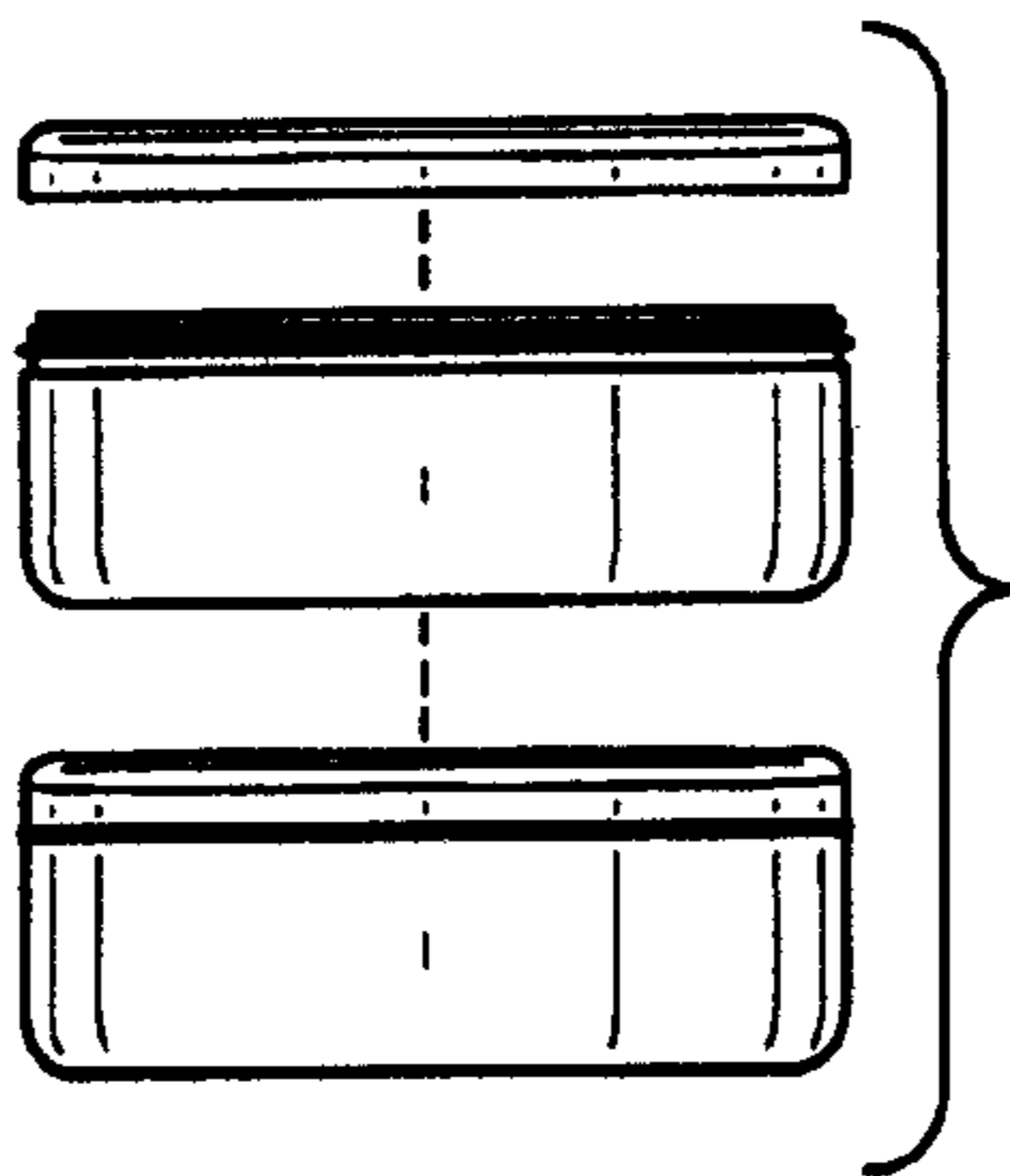


FIG. 20

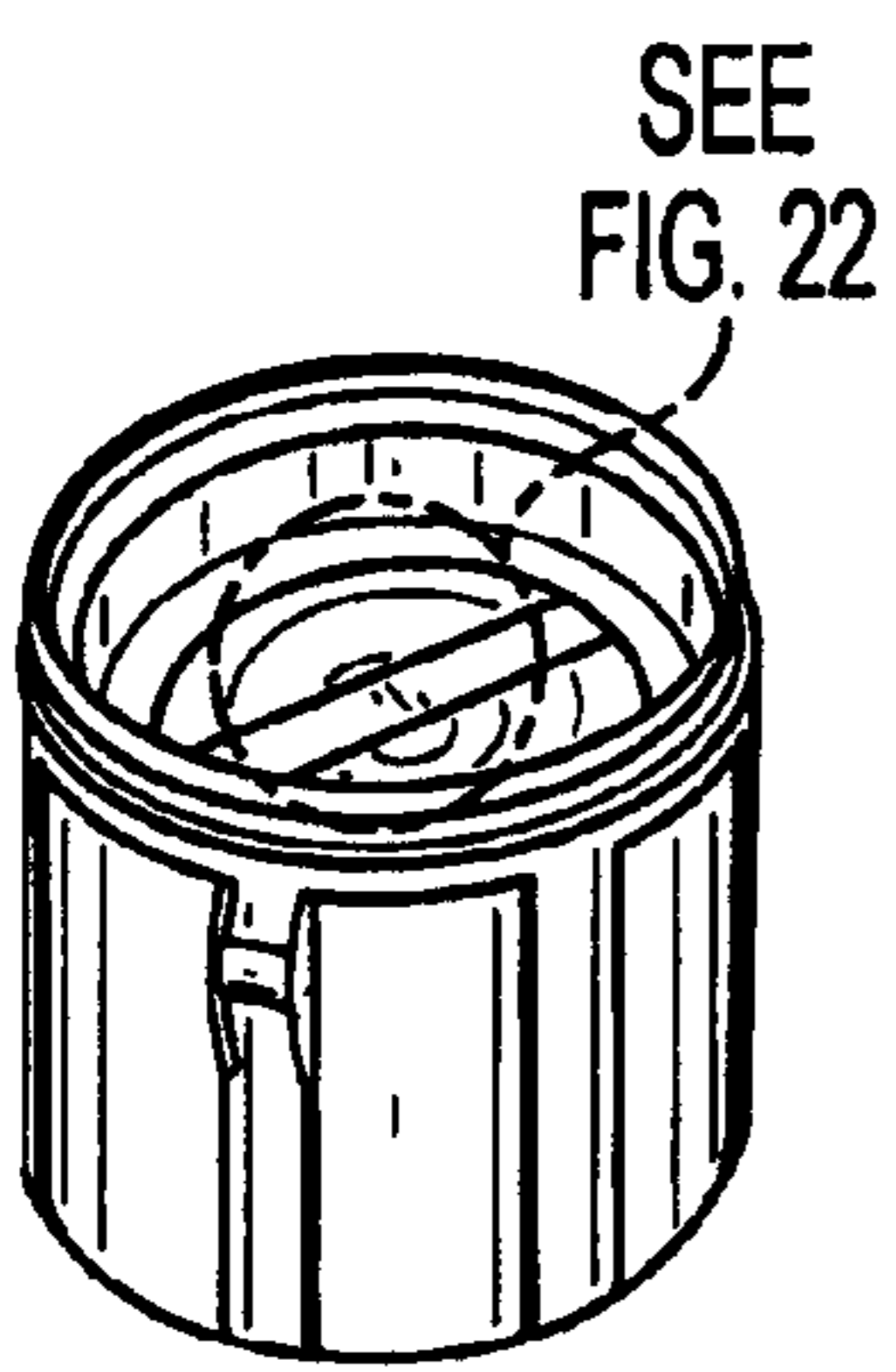


FIG. 21

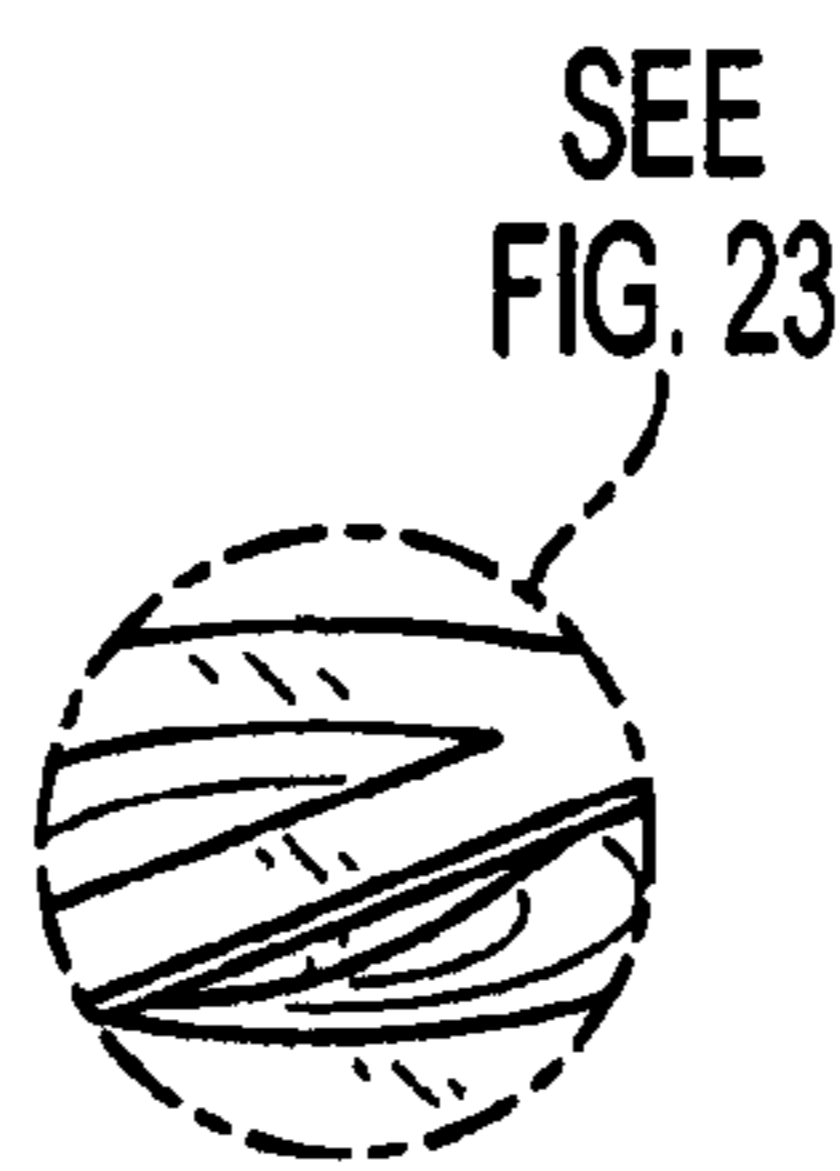


FIG. 22

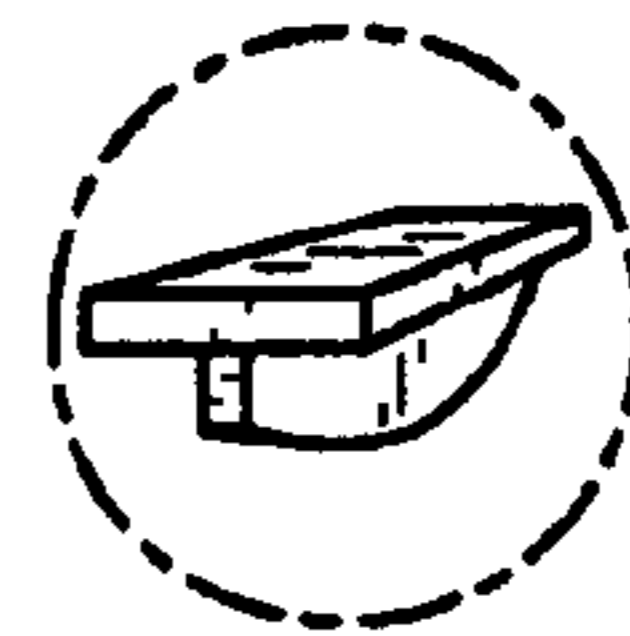


FIG. 23

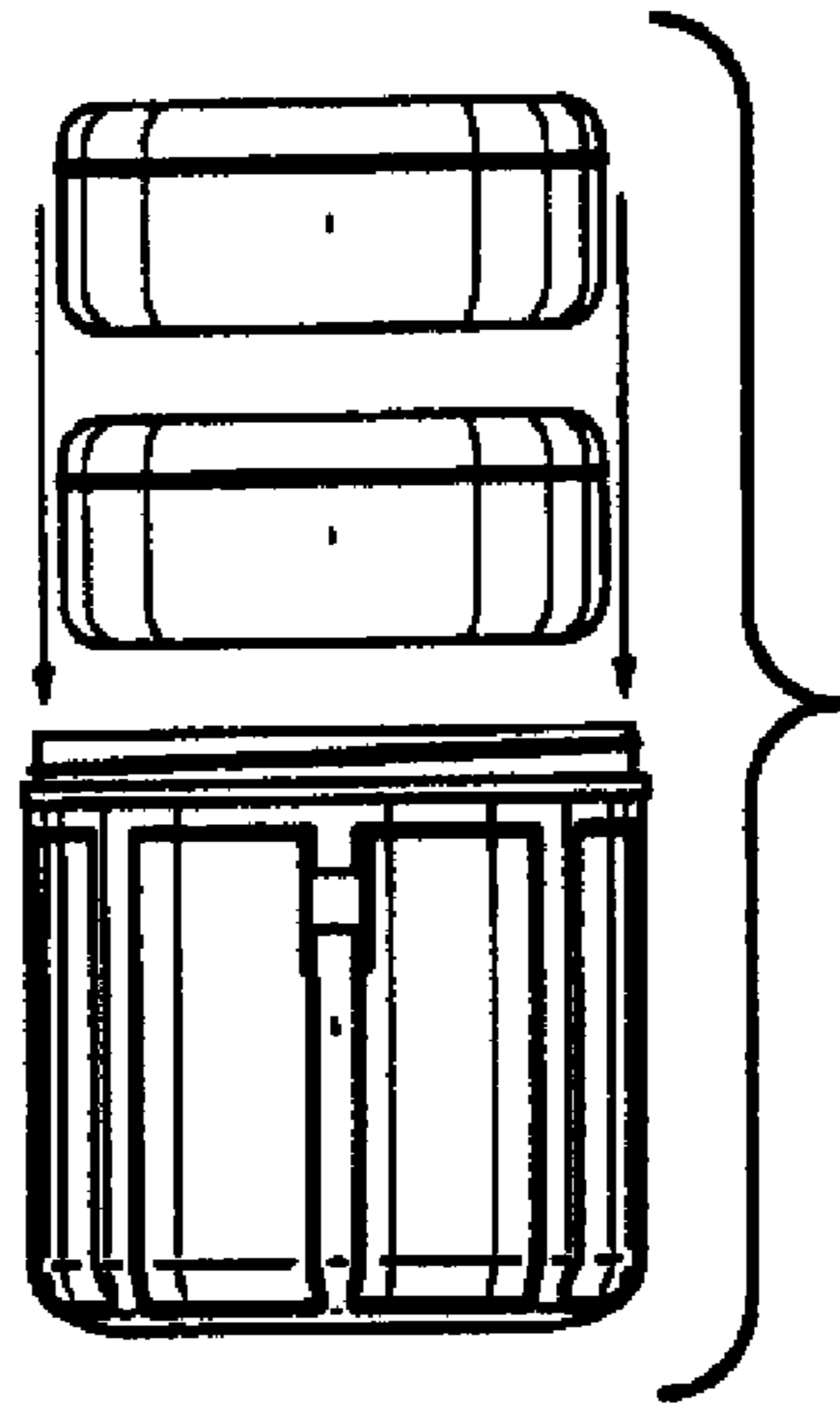


FIG. 24

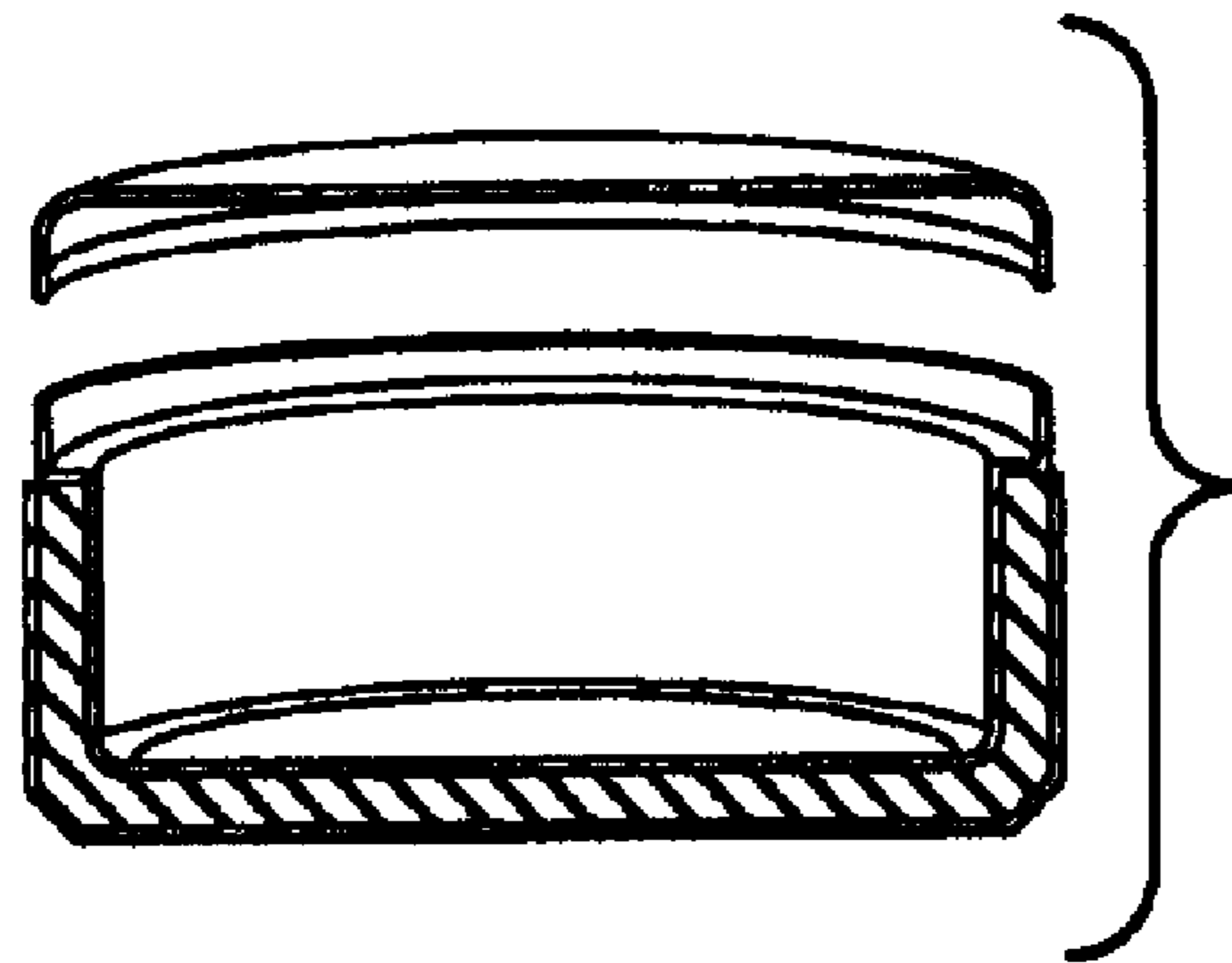


FIG. 25

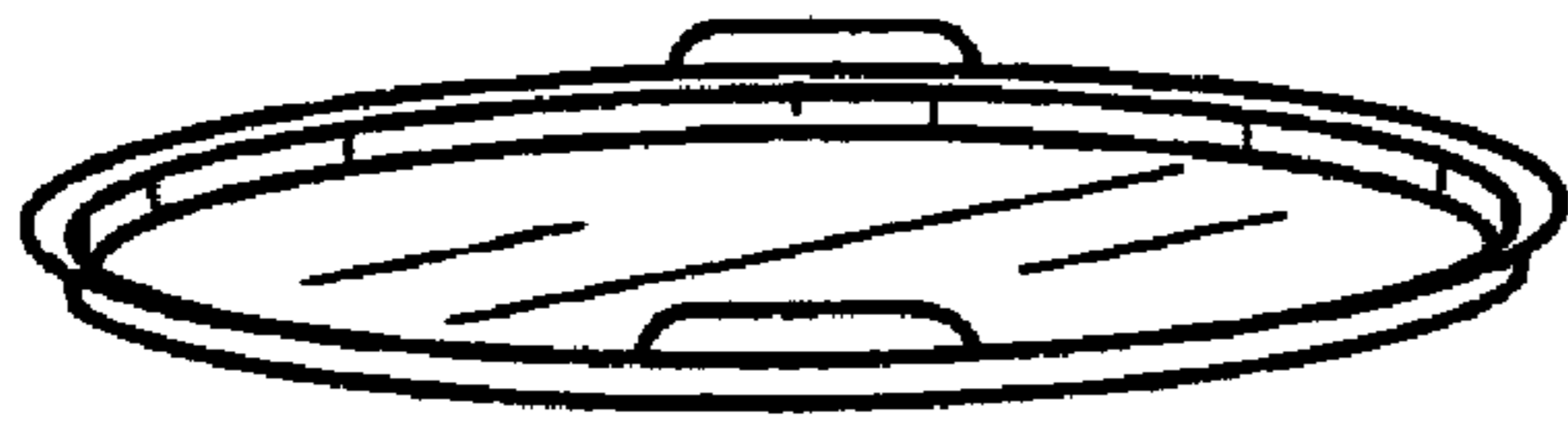


FIG. 26

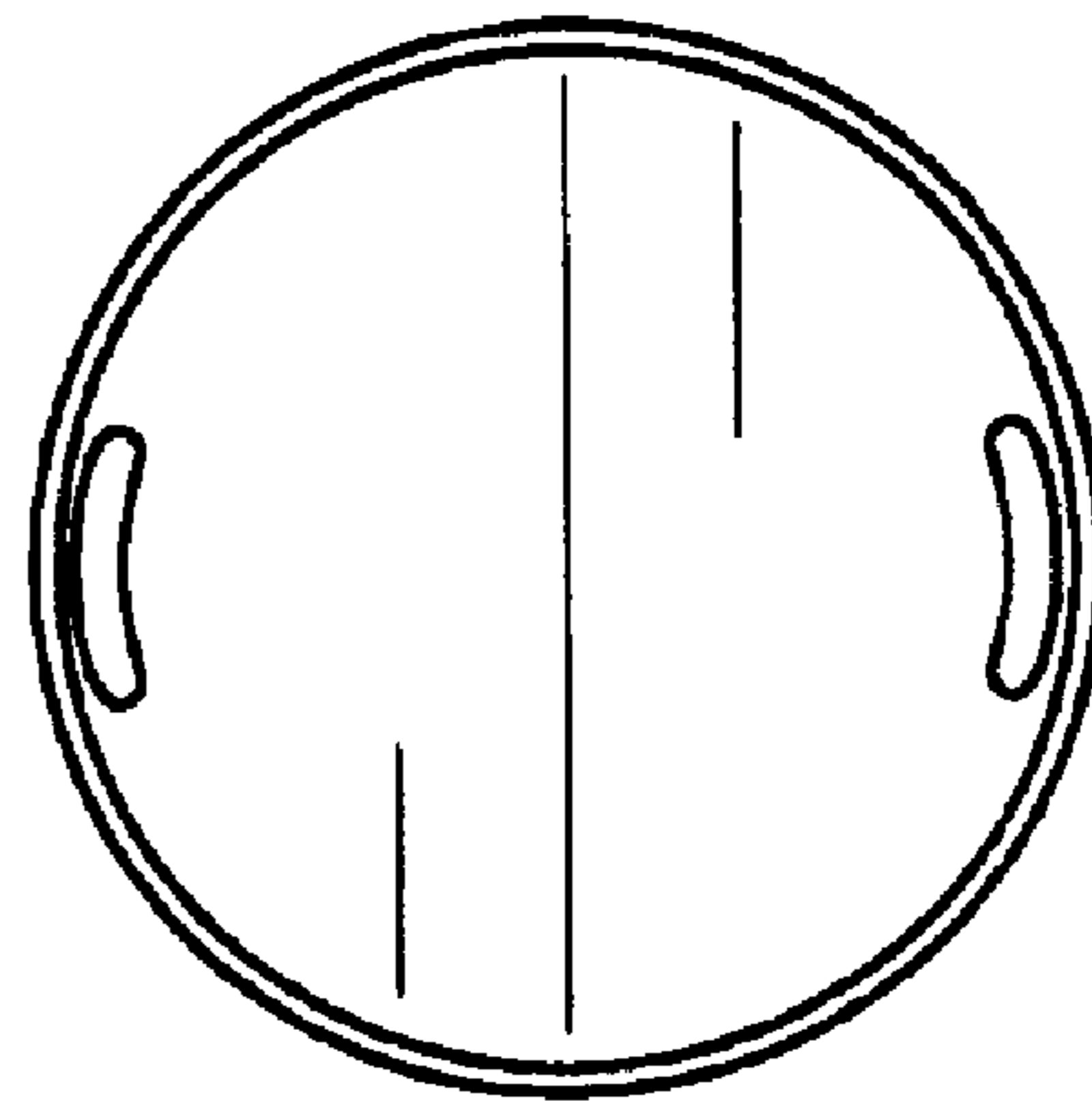


FIG. 27

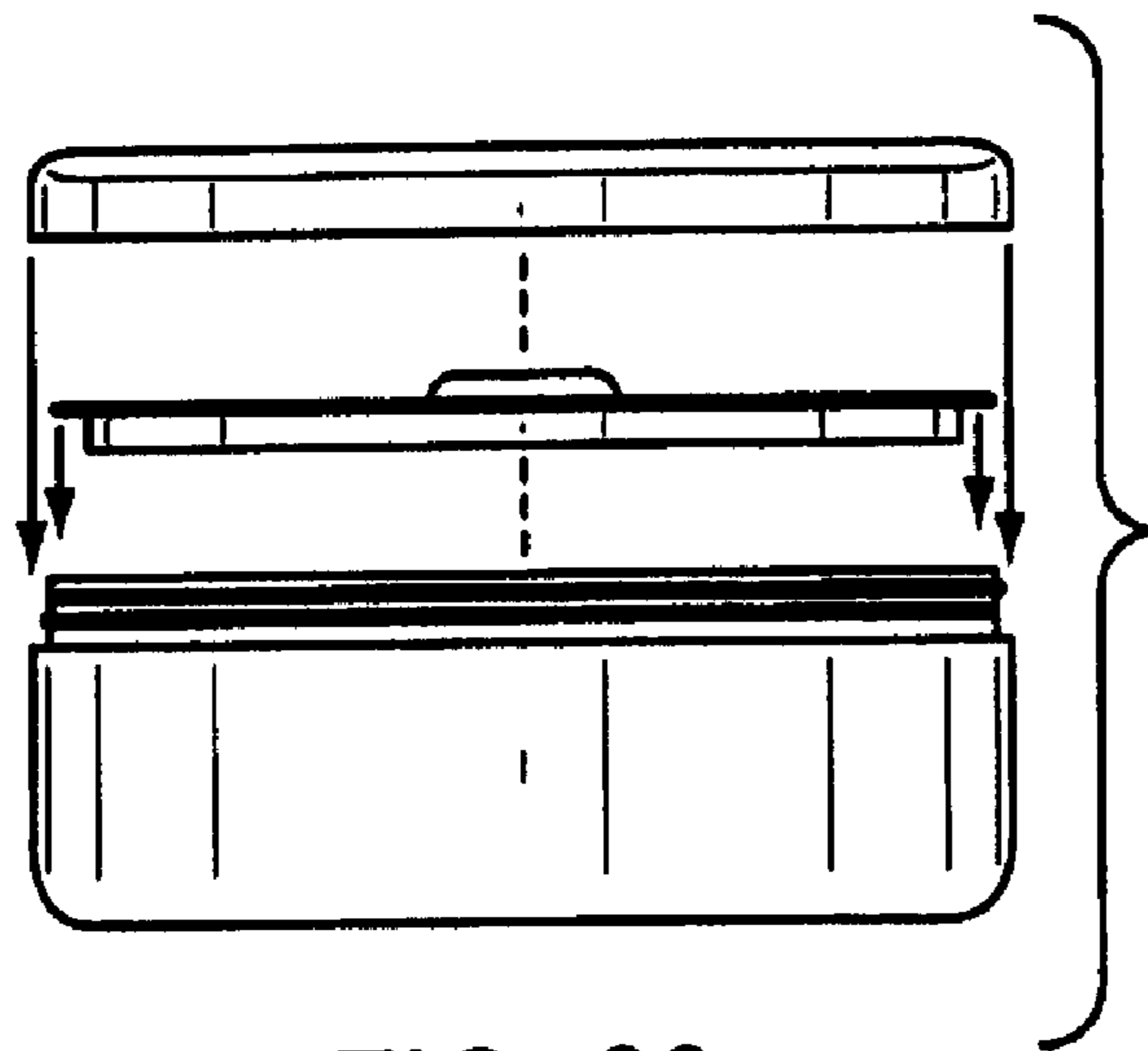


FIG. 28

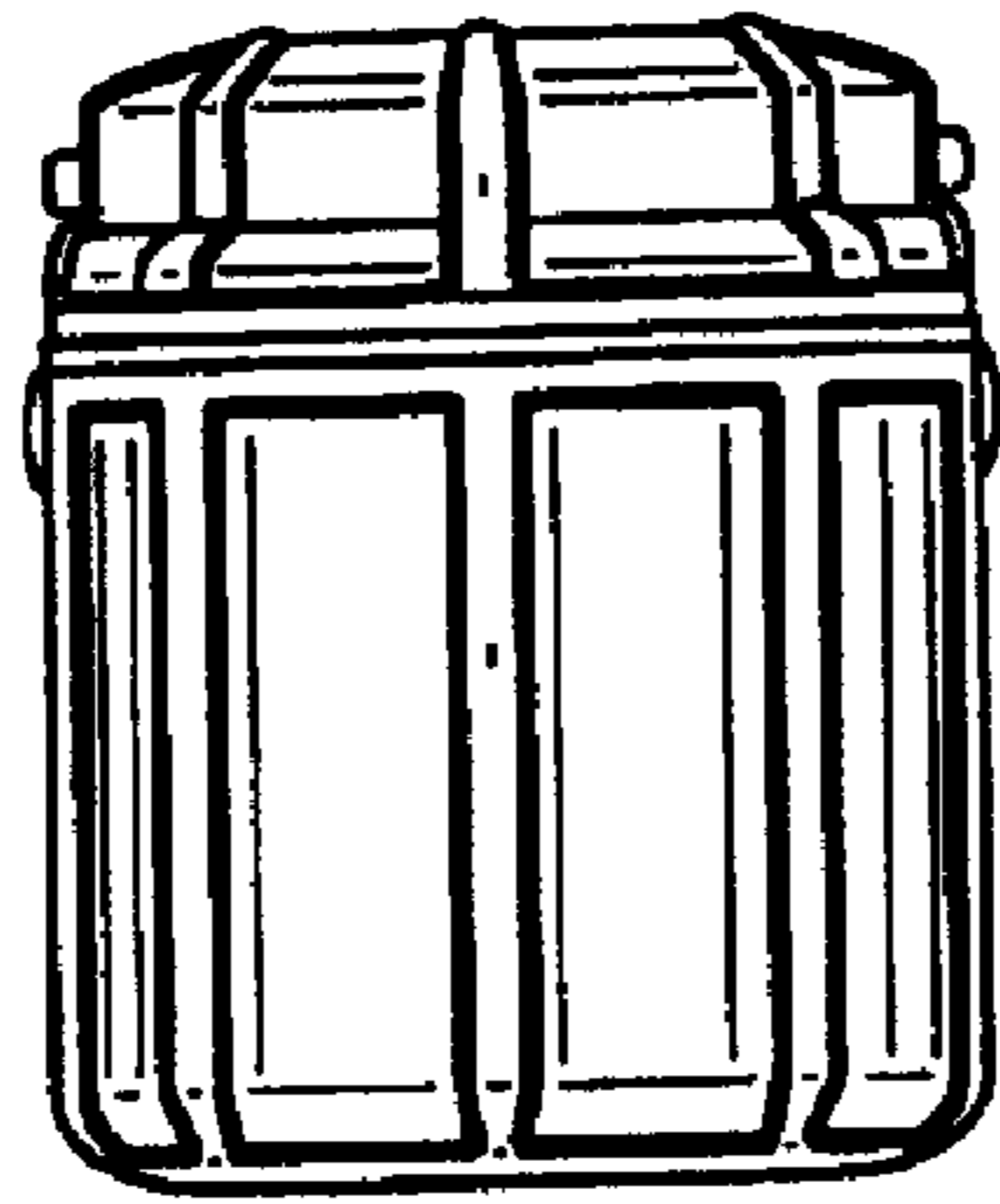


FIG. 29

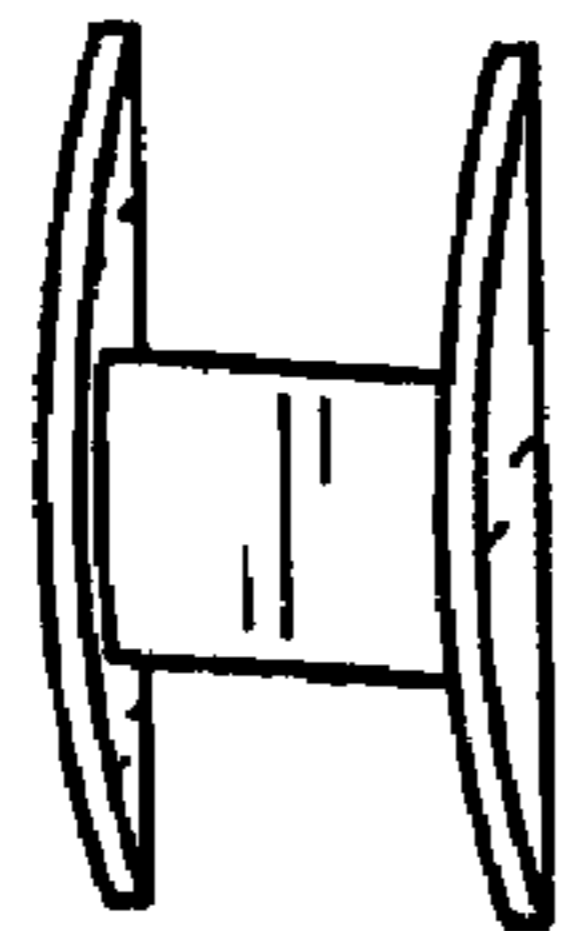


FIG. 30



FIG. 31

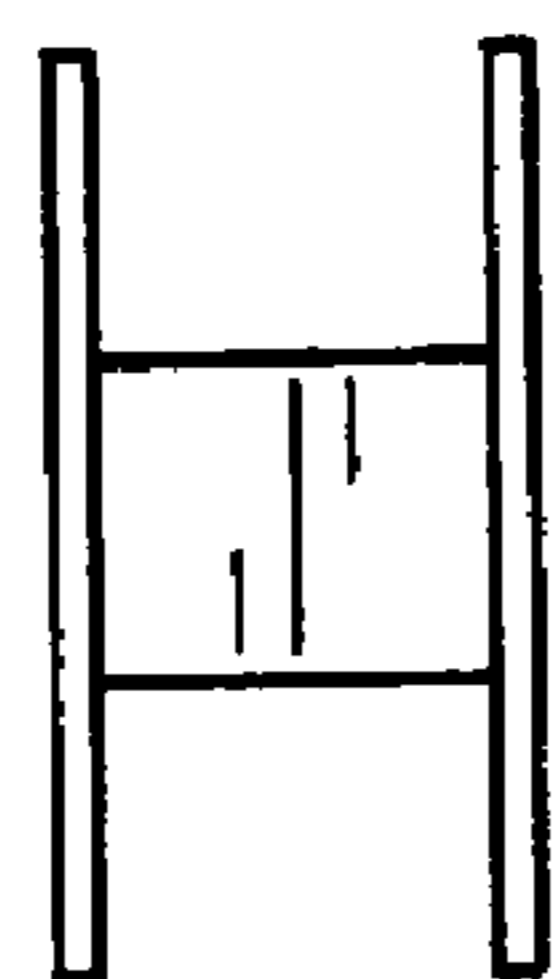


FIG. 32

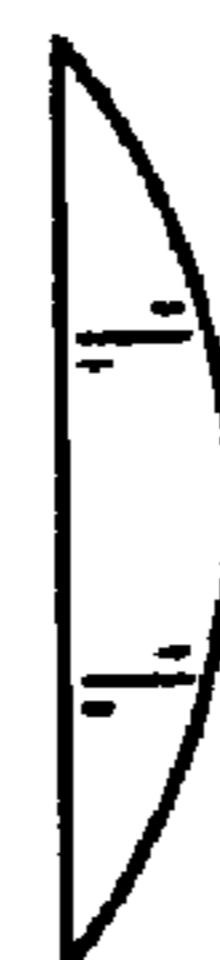


FIG. 33