



US00D583197S

(12) **United States Design Patent**
Seehoff et al.

(10) **Patent No.:** **US D583,197 S**

(45) **Date of Patent:** **** Dec. 23, 2008**

(54) **BREAD CRUST CUTTER**

(76) Inventors: **Gary S. Seehoff**, 3701 Dellvale Pl.,
Encino, CA (US) 91436; **Bryan Golden**,
320 W. Shoshone, Ventura, CA (US)
93001

(**) Term: **14 Years**

(21) Appl. No.: **29/299,417**

(22) Filed: **Dec. 26, 2007**

(51) **LOC (8) Cl.** **07-04**

(52) **U.S. Cl.** **D7/676**

(58) **Field of Classification Search** D7/672-677,
D7/354, 356; D1/106, 107, 126-128; 30/314-317,
30/301, 280, 303, 305, 306; 249/115, 135,
249/117; 99/426

See application file for complete search history.

(56) **References Cited**

U.S. PATENT DOCUMENTS

3,780,978 A * 12/1973 Proul 249/135

4,245,973 A * 1/1981 Greaney 249/117
D395,208 S * 6/1998 VanHalteren et al. D7/675
D481,914 S * 11/2003 Short D7/675

* cited by examiner

Primary Examiner—Terry A Wallace

(57) **CLAIM**

The ornamental design for a bread crust cutter, as shown and described.

DESCRIPTION

FIG. 1 is a top plan view of a bread crust cutter showing my new design;

FIG. 2 is a front view thereof;

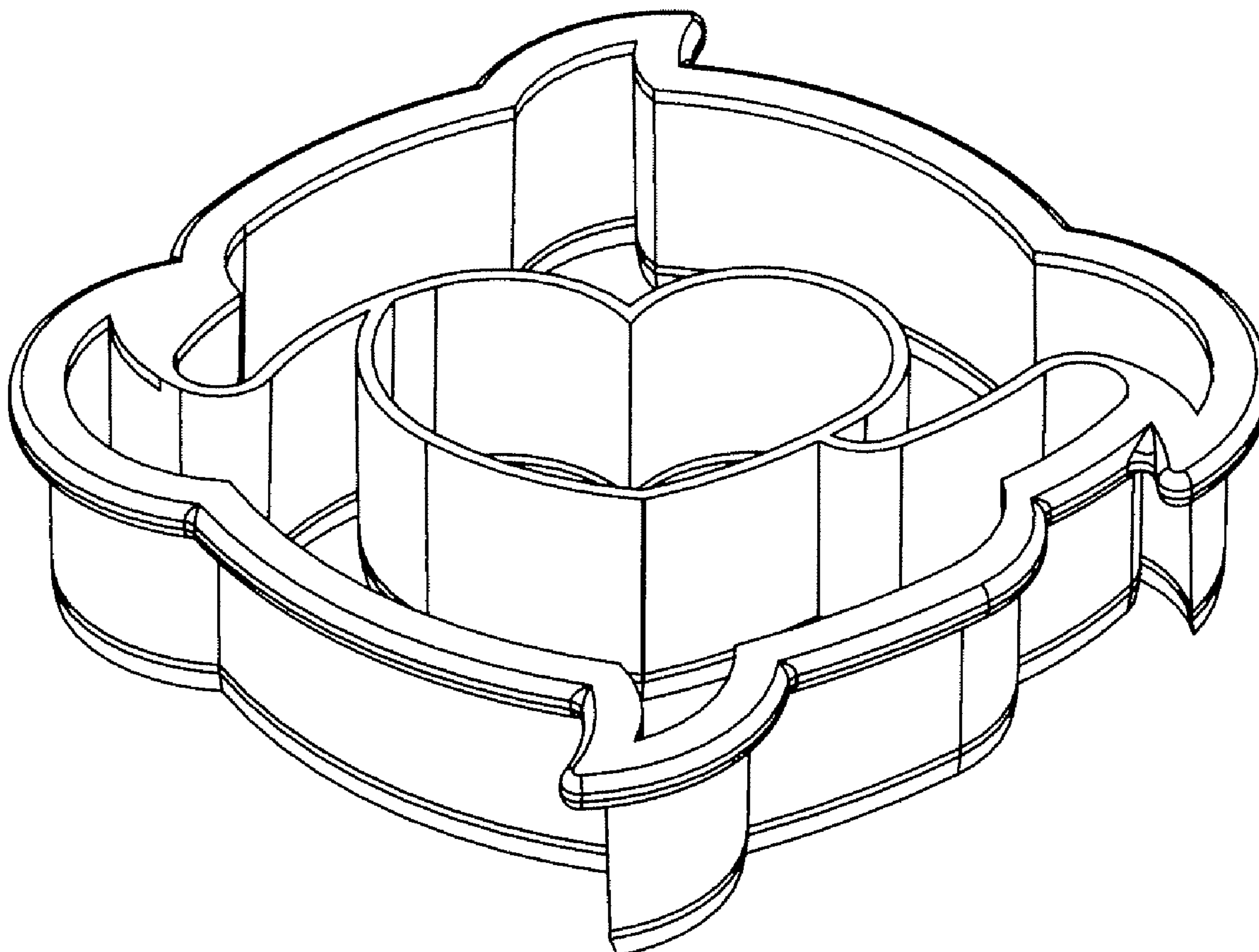
FIG. 3 is a side view thereof;

FIG. 4 is a cross-section view thereof, taken along line 4—4 of FIG. 1;

FIG. 5 is a bottom view thereof; and,

FIG. 6 is a perspective view thereof.

1 Claim, 6 Drawing Sheets



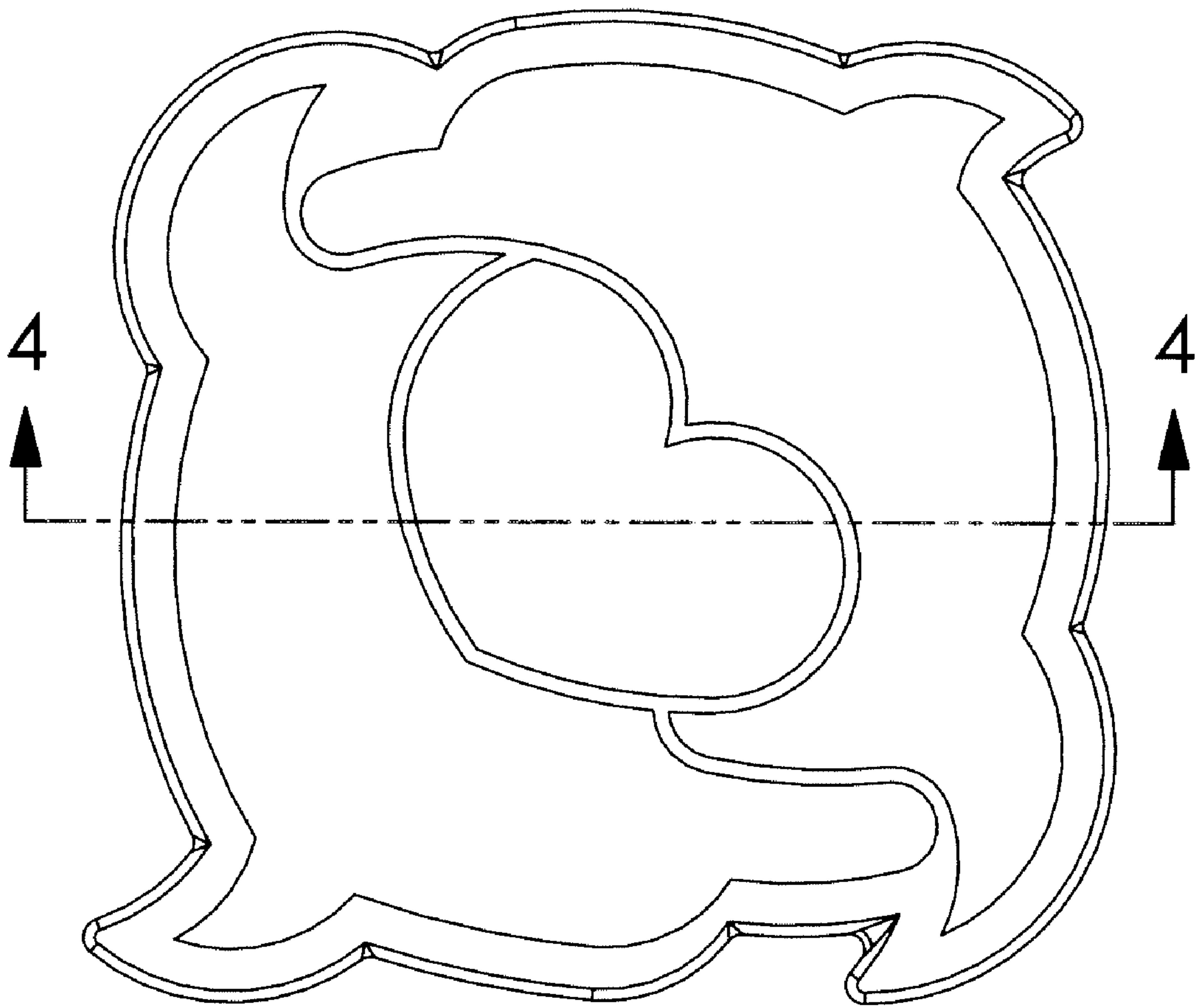


Fig 1

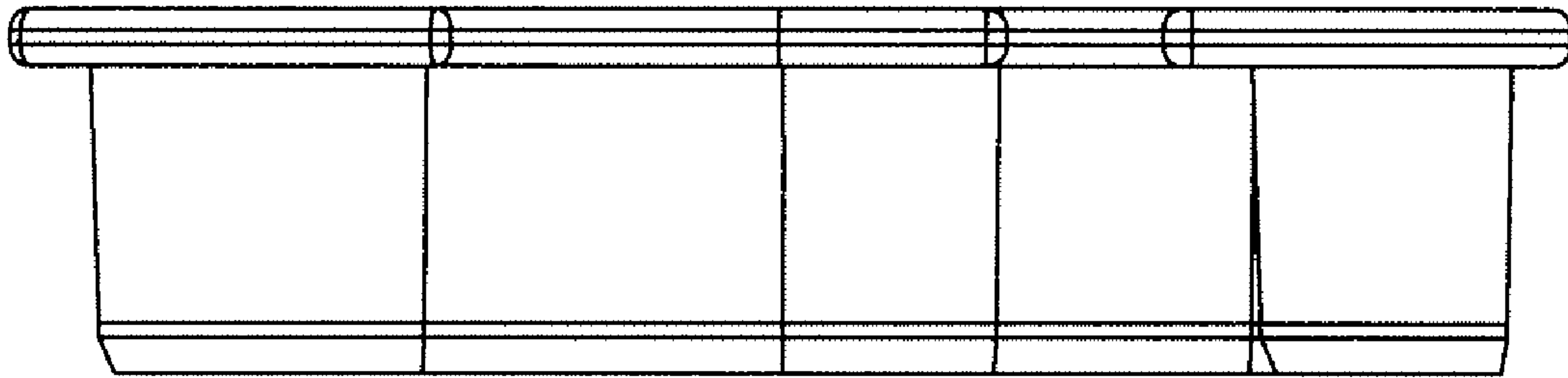


Fig 2

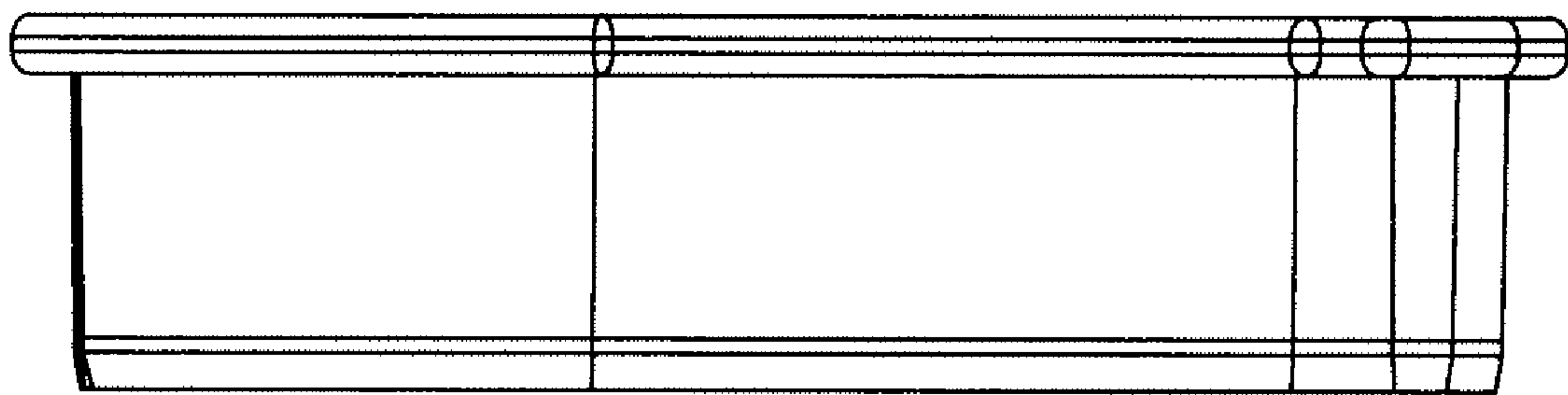


Fig 3

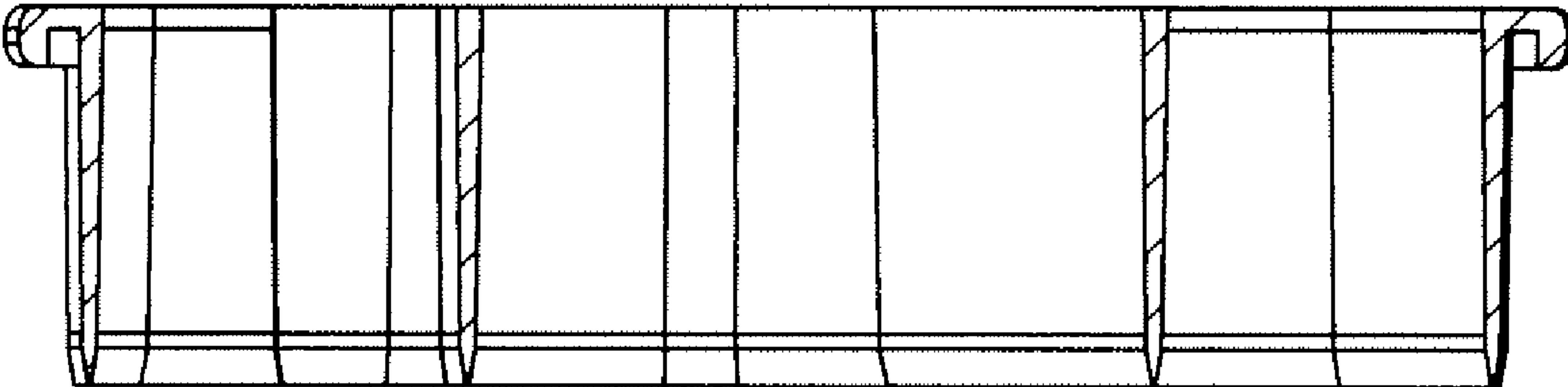


Fig. 4

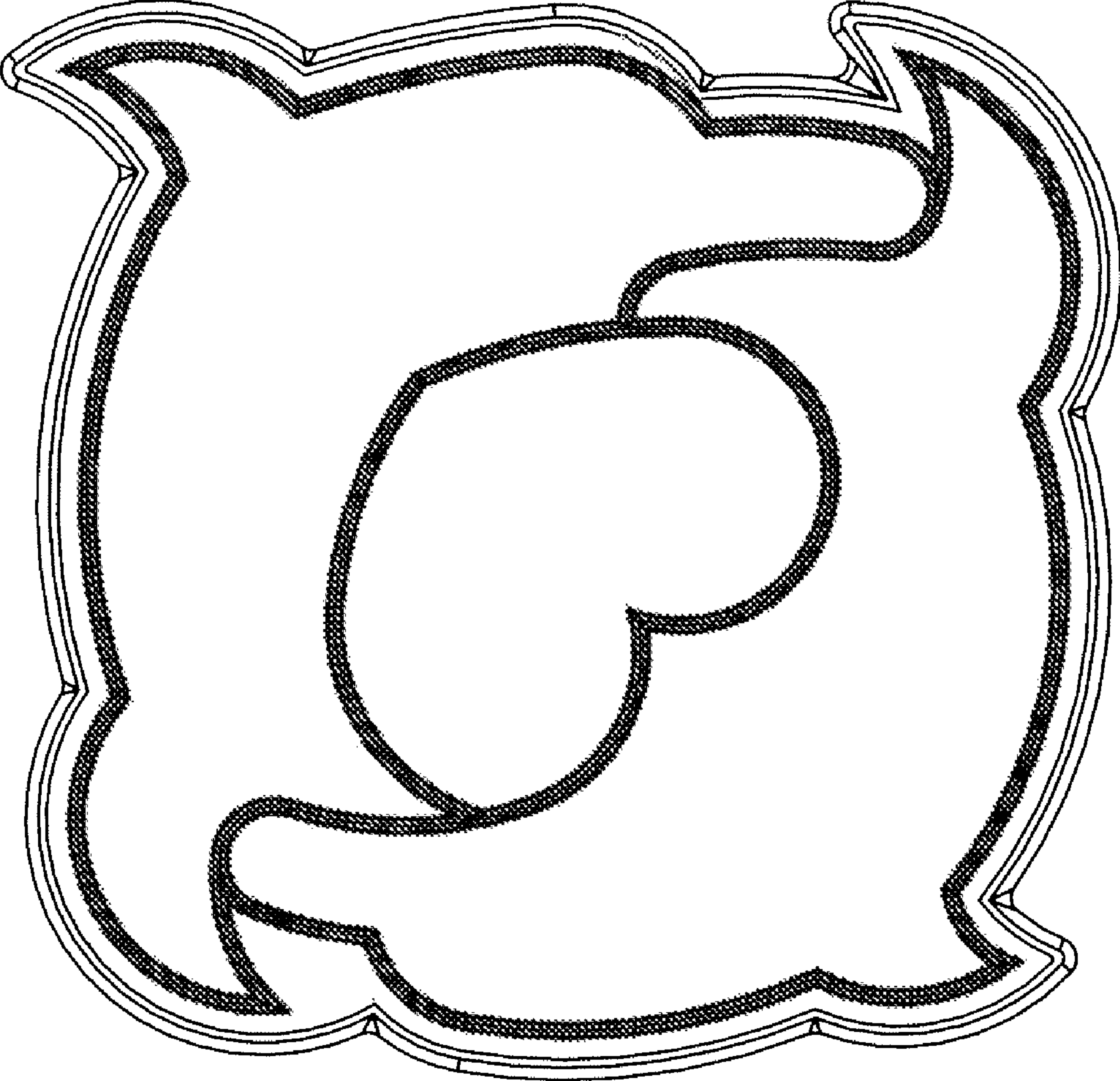


Fig 5

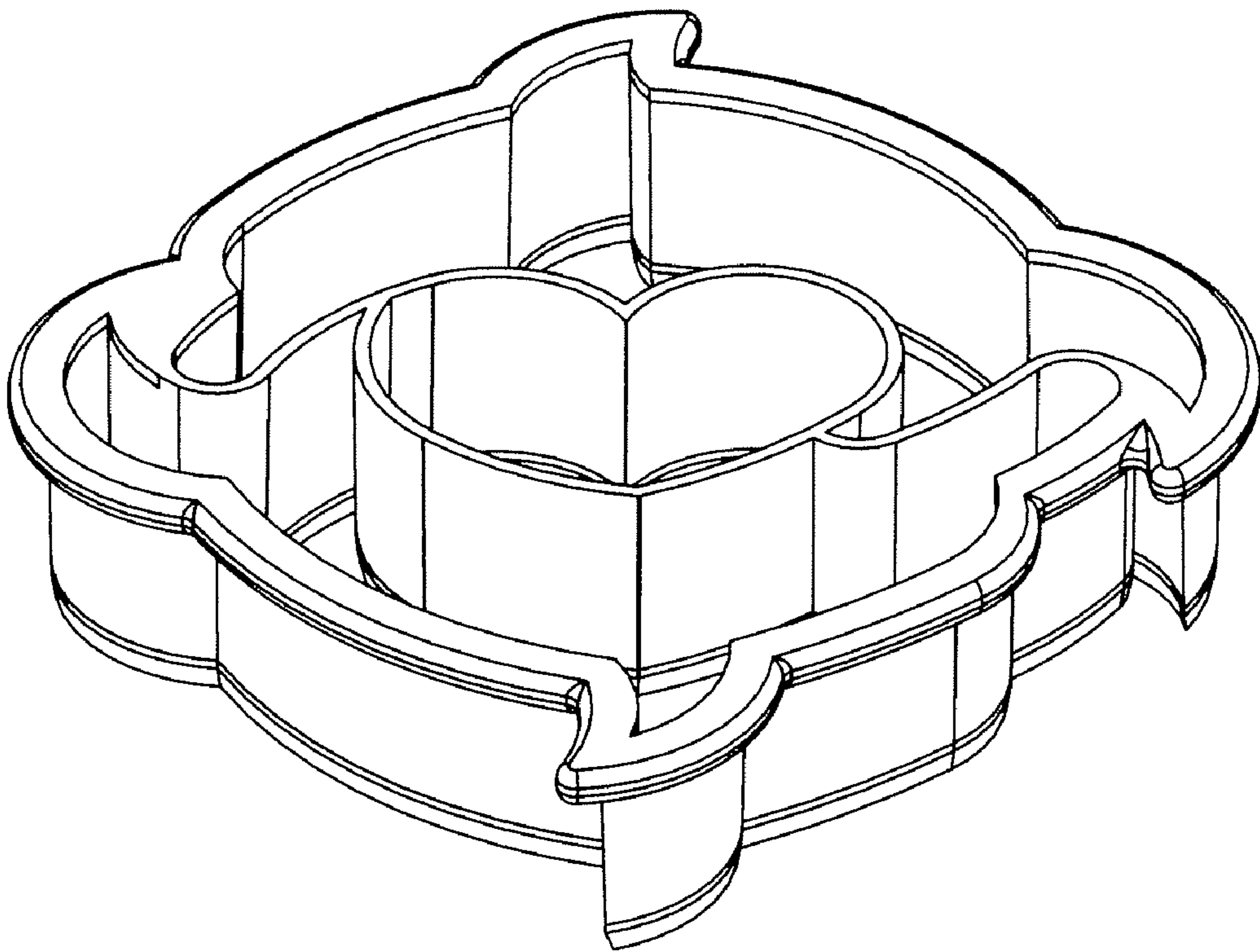


Fig 6