



US00D583191S

(12) **United States Design Patent**  
**Wong**

(10) **Patent No.:** **US D583,191 S**  
(45) **Date of Patent:** **\*\* Dec. 23, 2008**

(54) **LID ASSEMBLY WITH RECLOSABLE DRINK OPENING**

(75) Inventor: **Joseph Chuek Mau Wong**, Daly City, CA (US)

(73) Assignee: **Double Team Inc.**, Daly City, CA (US)

(\*\*) Term: **14 Years**

(21) Appl. No.: **29/318,448**

(22) Filed: **May 20, 2008**

**Related U.S. Application Data**

(63) Continuation of application No. 29/305,315, filed on Mar. 18, 2008.

(51) **LOC (8) Cl.** ..... **07-99**

(52) **U.S. Cl.** ..... **D7/396.2; D7/900; D7/392.1; D9/435**

(58) **Field of Classification Search** ..... **D7/396.2, D7/396.1, 387, 900, 396, 392.1; D9/435, D9/455, 434, 449, 445, 438, 441, 439, 436, D9/443, 447; 206/807; 215/235, 237; 220/254.1, 220/254.3, 345.3, 254.6, 270; D20/28; 222/480**  
See application file for complete search history.

(56) **References Cited**

**U.S. PATENT DOCUMENTS**

2,475,896	A	7/1949	Husted	
2,480,733	A	8/1949	Hermani	
3,174,661	A	3/1965	Speicher	
D204,574	S *	4/1966	Harvey	D9/438
3,938,690	A	2/1976	Butler	
4,057,167	A	11/1977	Lee	
4,127,212	A	11/1978	Waterbury	
4,170,724	A	10/1979	Waterbury	
D261,364	S *	10/1981	Smyth	D9/438
D268,250	S *	3/1983	Smyth	D9/438
D269,251	S *	6/1983	Fraze	D9/438
4,441,624	A	4/1984	Sokolowski	
D282,607	S *	2/1986	Palmer	D6/334
D295,831	S *	5/1988	Urion	D9/438

5,086,941	A *	2/1992	English et al.	220/345.2
5,090,584	A	2/1992	Roberts et al.	
5,197,624	A	3/1993	Dodaro	
5,490,609	A	2/1996	Lane et al.	
5,613,619	A	3/1997	Van Melle	
5,699,927	A	12/1997	Lane et al.	
5,947,323	A	9/1999	Freek et al.	
D417,845	S	12/1999	Sadlier et al.	
D418,363	S	1/2000	Barnes et al.	

(Continued)

**FOREIGN PATENT DOCUMENTS**

FR 2295889 7/1976

(Continued)

*Primary Examiner*—Marianne Pandozzi

*Assistant Examiner*—Cynthia Underwood

(74) *Attorney, Agent, or Firm*—Pinnacle Patent Law Group

(57) **CLAIM**

The ornamental design for a lid assembly with a reclosable drink opening, substantially as shown and described.

**DESCRIPTION**

FIG. 1 is a top perspective view of the lid assembly of this invention with the sliding member thereof in its closed position;

FIG. 2 is a top view of the lid assembly of FIG. 1;

FIG. 3 is a view in elevation of the lid assembly of FIG. 1 along line 3—3 of FIG. 2;

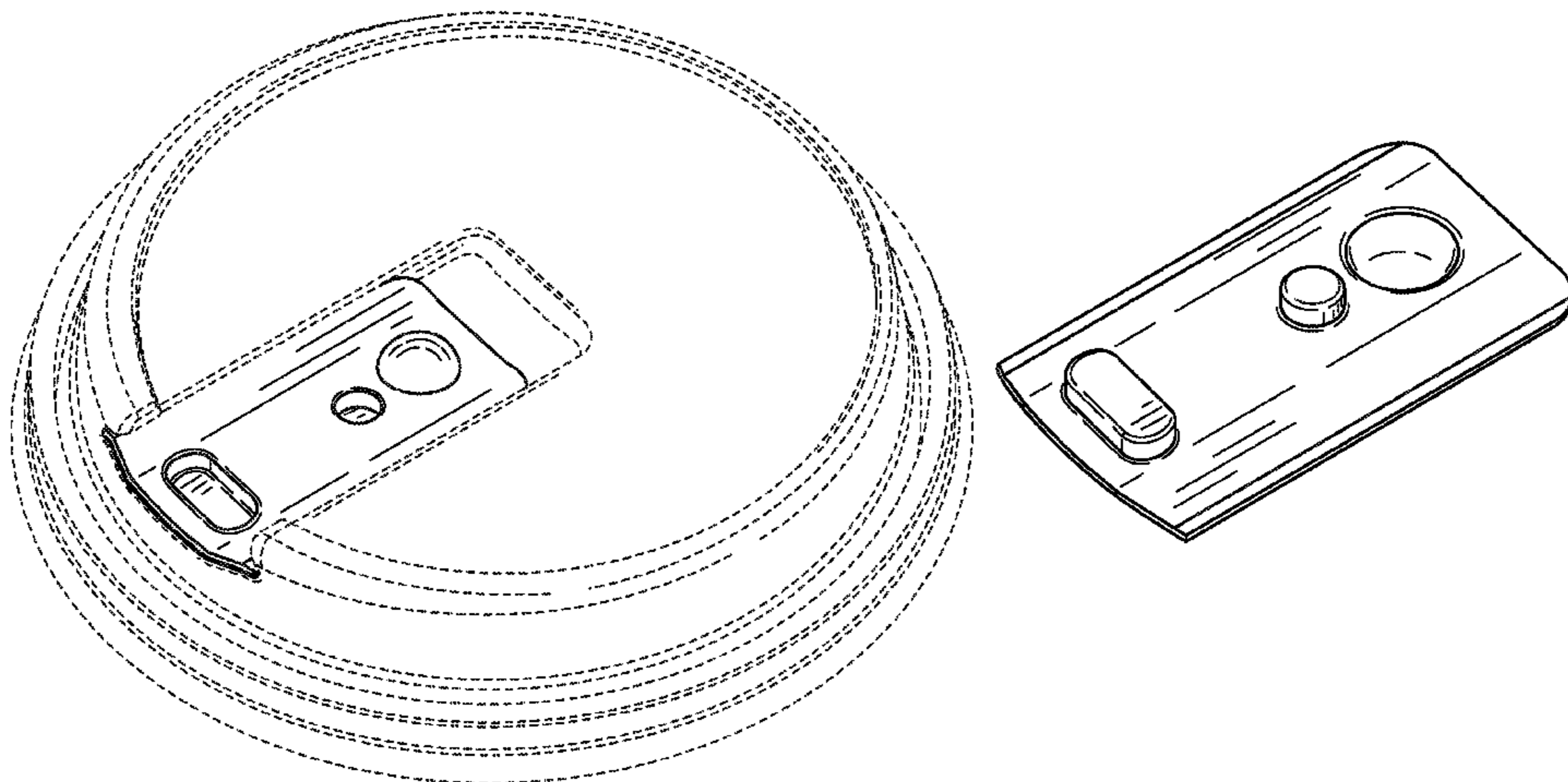
FIG. 4 is a top view of the sliding member of the lid assembly of this invention;

FIG. 5 is a bottom perspective view of the sliding member of FIG. 4; and,

FIG. 6 is a top perspective view of the sliding member of FIG. 4.

The portions shown in broken lines are included to show environment and form no part of the claimed design.

**1 Claim, 3 Drawing Sheets**



# US D583,191 S

Page 2

## U.S. PATENT DOCUMENTS

D422,213 S \* 4/2000 Sedgeley ..... D9/434  
D426,771 S \* 6/2000 Blow et al. .... D9/434  
6,089,397 A 7/2000 Van Melle  
6,260,727 B1 7/2001 Durdon  
D447,412 S 9/2001 Durdon  
6,354,454 B1 3/2002 Wong  
D456,852 S \* 5/2002 Maloney ..... D20/22  
D465,969 S \* 11/2002 Morin ..... D7/392.1  
6,505,753 B1 1/2003 Freek et al.  
D476,566 S 7/2003 Smith et al.  
D477,223 S 7/2003 Smith et al.  
D478,006 S 8/2003 Smith et al.  
6,612,456 B1 9/2003 Hundley et al.  
D489,260 S 5/2004 Smith et al.  
D493,718 S 8/2004 Durdon  
6,783,019 B2 \* 8/2004 Zettle et al. .... 220/254.3  
6,889,860 B2 5/2005 Mazzarolo

6,929,143 B2 8/2005 Mazzarolo  
6,948,633 B2 9/2005 Freek et al.  
D513,419 S \* 1/2006 Morrison et al. .... D20/28  
D514,444 S 2/2006 Smith et al.  
D514,445 S 2/2006 Smith et al.  
D533,779 S 12/2006 Schmidtner et al.  
D550,503 S \* 9/2007 Liu ..... D7/392.1  
D562,624 S \* 2/2008 Kortleven ..... D7/392.1  
D565,889 S \* 4/2008 Laib et al. .... D7/392.1  
D569,425 S \* 5/2008 Law et al. .... D19/10  
2005/0092749 A1 5/2005 Durdon  
2006/0081633 A1 4/2006 Schmidtner et al.

## FOREIGN PATENT DOCUMENTS

GB 239036 9/1925  
GB 497184 4/1934

\* cited by examiner

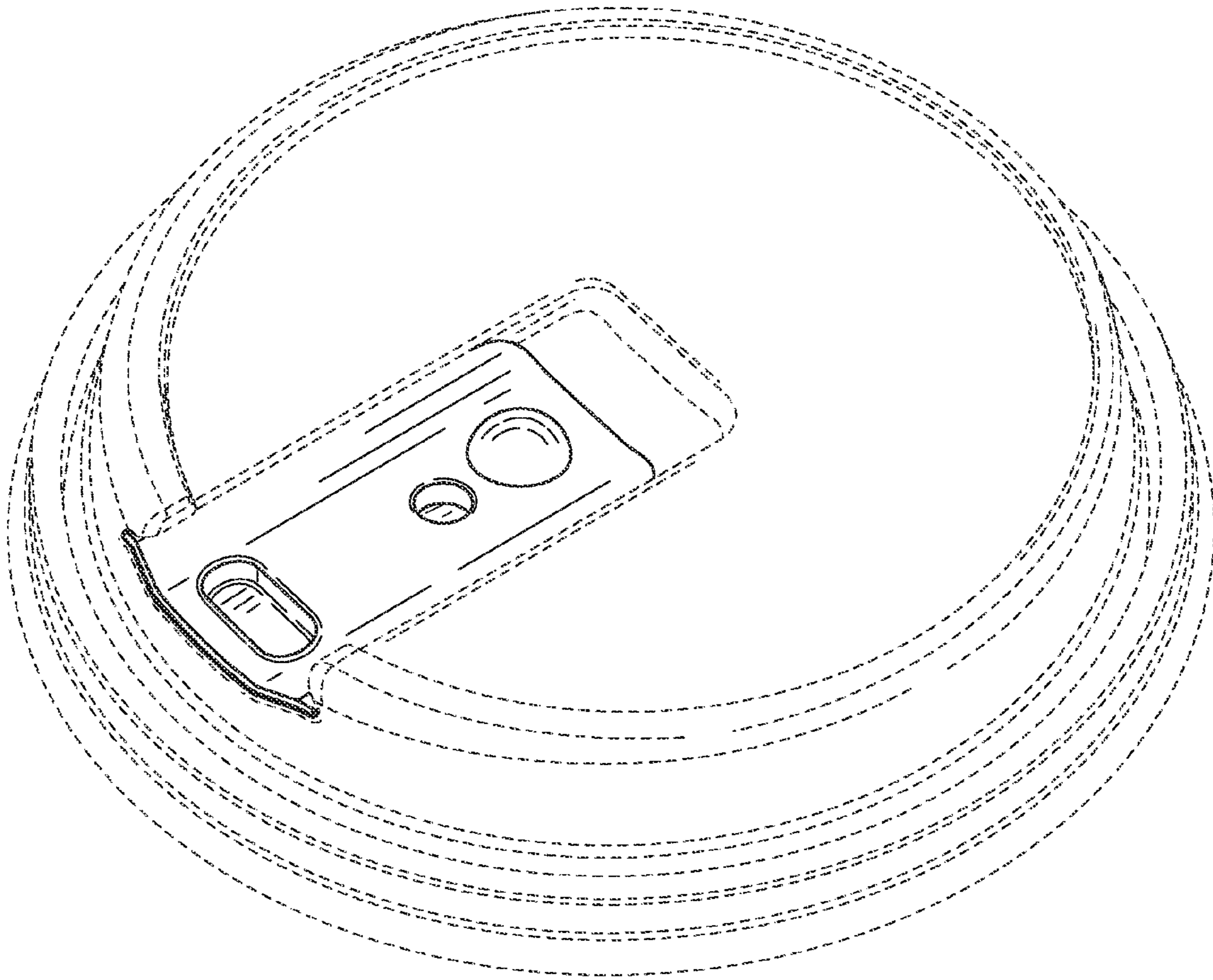


FIG. 1



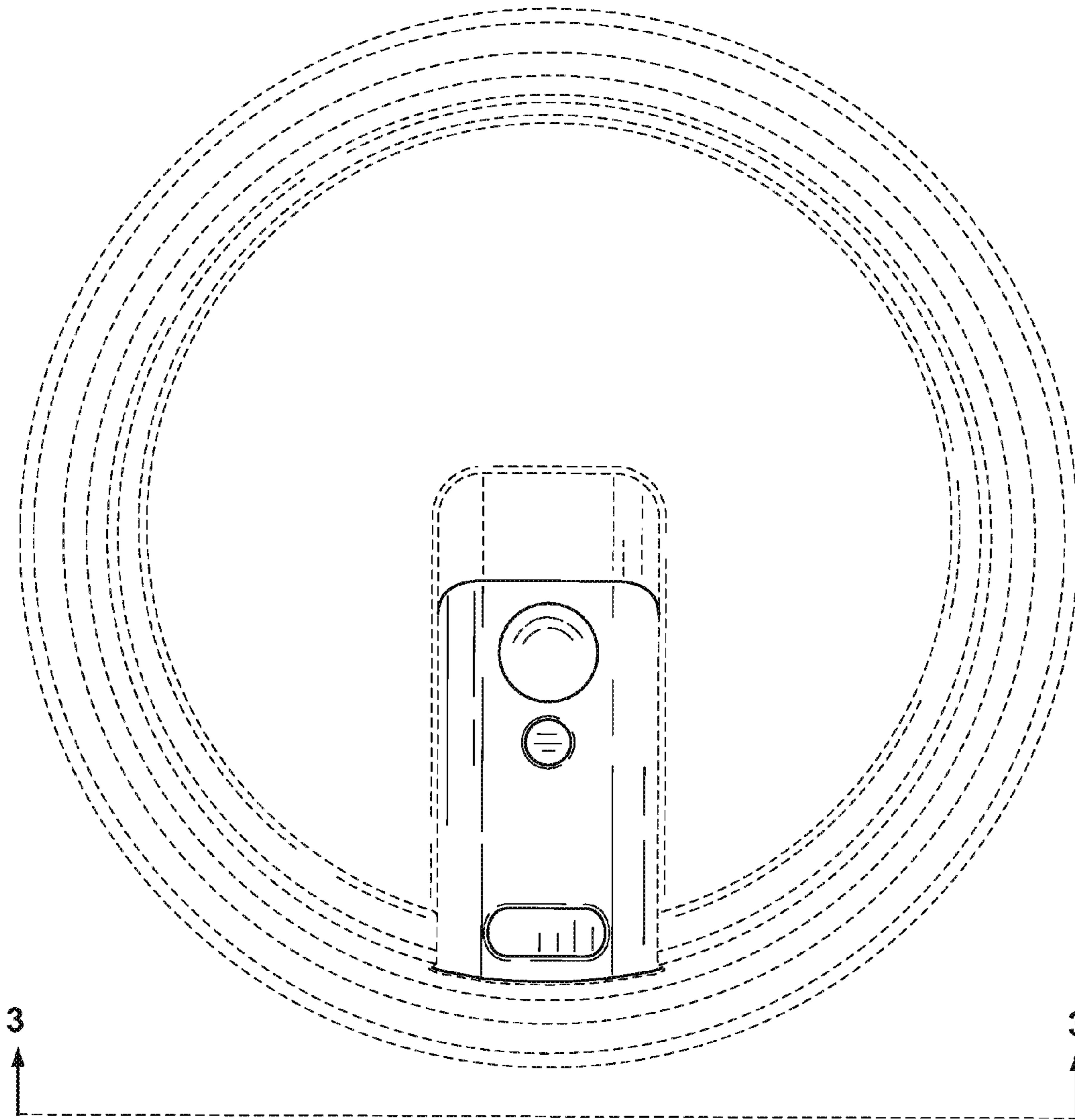


FIG. 2

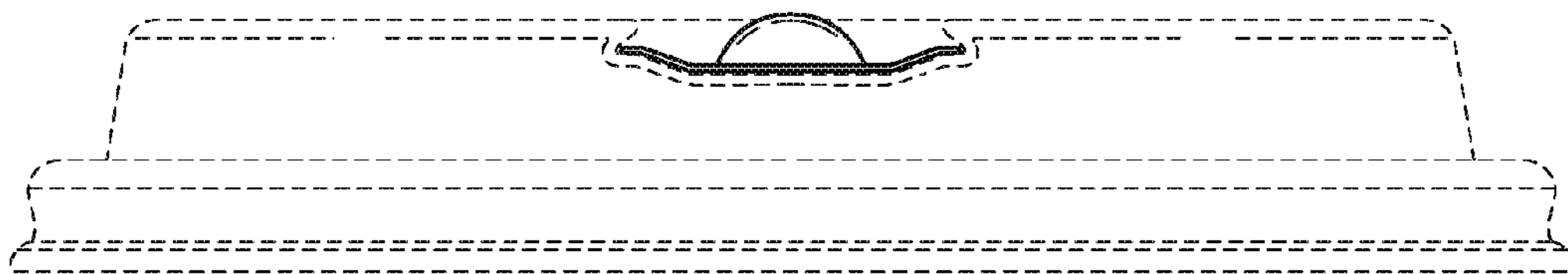


FIG. 3

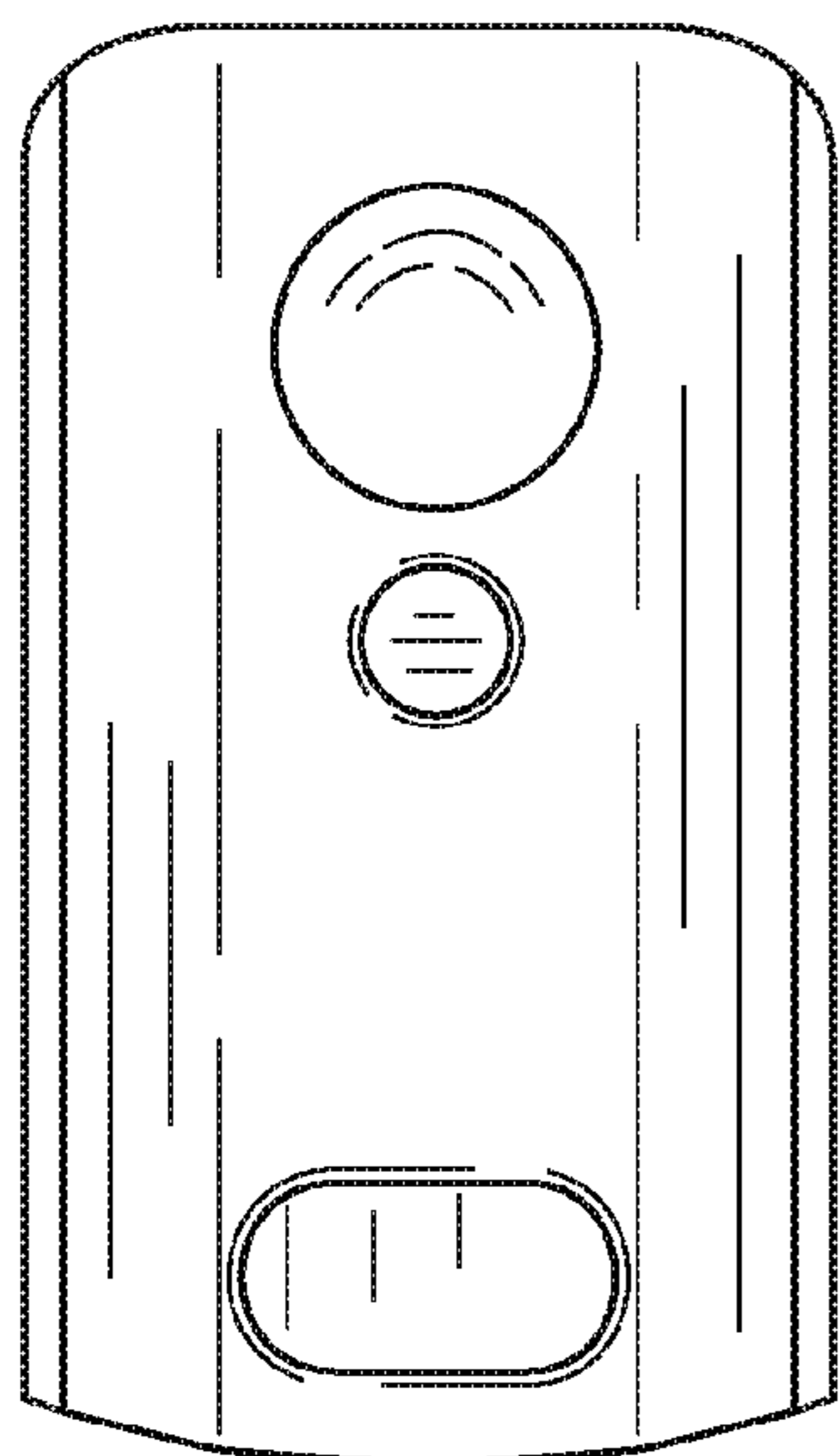


FIG. 4

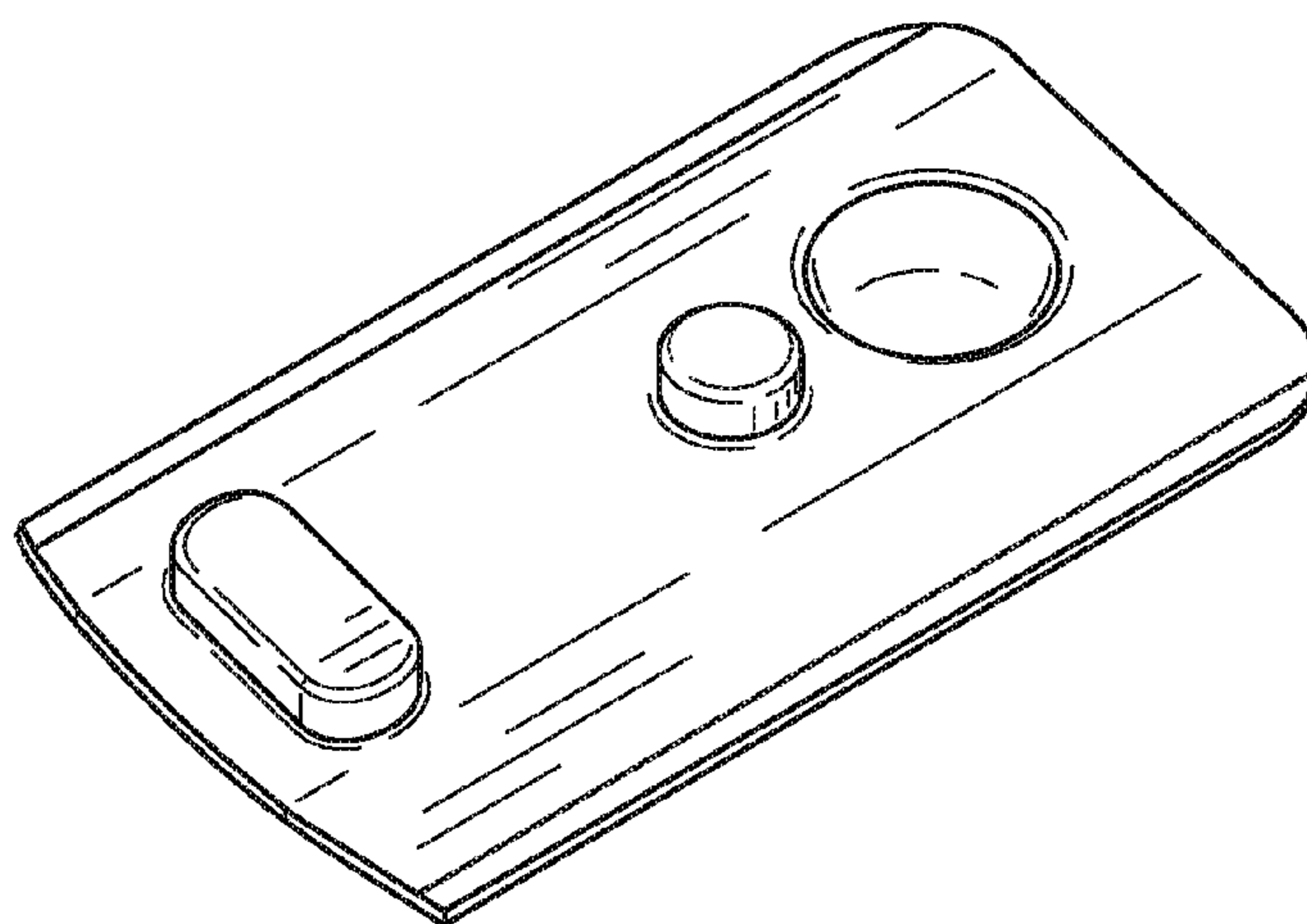


FIG. 5

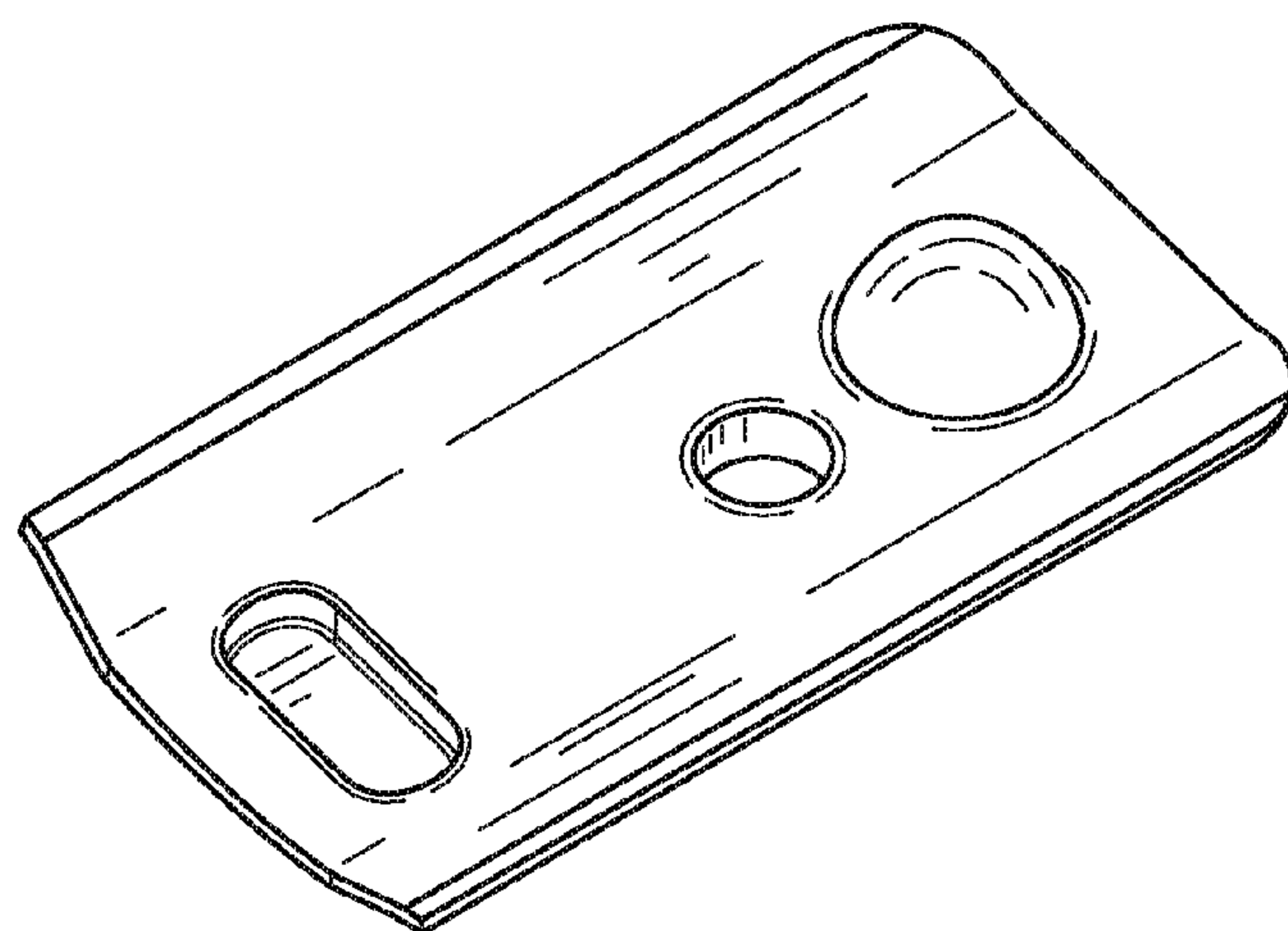


FIG. 6