



US00D583189S

(12) **United States Design Patent**
Short et al.

(10) **Patent No.:** **US D583,189 S**

(45) **Date of Patent:** **** Dec. 23, 2008**

(54) **MIXING APPARATUS**

(75) Inventors: **Ellis G. Short**, Troy, OH (US); **Joseph C. Huang**, Dayton, OH (US); **Brian R. Kadel**, Dayton, OH (US); **John C. Baron**, Tipp City, OH (US); **William C. Sanders**, Springboro, OH (US); **Howard A. Hartley**, Brookville, OH (US); **Jeffrey T. DeBord**, Worthington, OH (US); **Ryan R. Berger**, Columbus, OH (US)

(73) Assignee: **Premark FEG L.L.C.**, Wilmington, DE (US)

(**) Term: **14 Years**

(21) Appl. No.: **29/305,505**

(22) Filed: **Mar. 21, 2008**

(51) **LOC (8) Cl.** **31-00**

(52) **U.S. Cl.** **D7/376**

(58) **Field of Classification Search** D7/317-318, D7/356, 376-386, 412-415, 665; 99/348, 99/509-511; 222/465.1; 241/30-37.5, 101.01-101.2, 241/166-169.1, 274-278.2, 285.1-285.3, 241/291, 292.1; 366/64-67, 98, 192, 197-211, 366/205-20, 241-254, 279-292, 341-347
See application file for complete search history.

(56) **References Cited**

U.S. PATENT DOCUMENTS

D111,616 S *	10/1938	Rosengren	D7/379
2,306,245 A *	12/1942	Duke	366/98
D163,423 S *	5/1951	Schimanski	D7/379
5,348,393 A *	9/1994	Pappas, Jr.	366/207
D362,994 S *	10/1995	Ratermann et al.	D7/376
5,533,806 A *	7/1996	Veltrop et al.	366/347
5,860,738 A *	1/1999	Brinkman	366/197

6,068,398 A *	5/2000	Lin	366/347
D459,145 S *	6/2002	Short	D7/379
D468,581 S *	1/2003	Short	D7/379
D482,564 S *	11/2003	Short	D7/379
D490,271 S *	5/2004	Short et al.	D7/412
6,883,959 B2 *	4/2005	Donthnier et al.	366/203

(Continued)

Primary Examiner—Caron Veynar

Assistant Examiner—Ricky Pham

(74) *Attorney, Agent, or Firm*—Thompson Hine LLP

(57) **CLAIM**

The ornamental design for a mixing apparatus, as shown and described.

DESCRIPTION

FIG. 1 is a right side view of a head portion of a mixing apparatus showing our new design;

FIG. 2 is left side view of thereof;

FIG. 3 is a front view thereof;

FIG. 4 is a rear view thereof;

FIG. 5 is a top view thereof;

FIG. 6 is a bottom view of thereof;

FIG. 7 is a right side view of a second embodiment of a head portion of a mixing apparatus;

FIG. 8 is a left side view of the head portion of FIG. 7;

FIG. 9 is a front view of the head portion of FIG. 7;

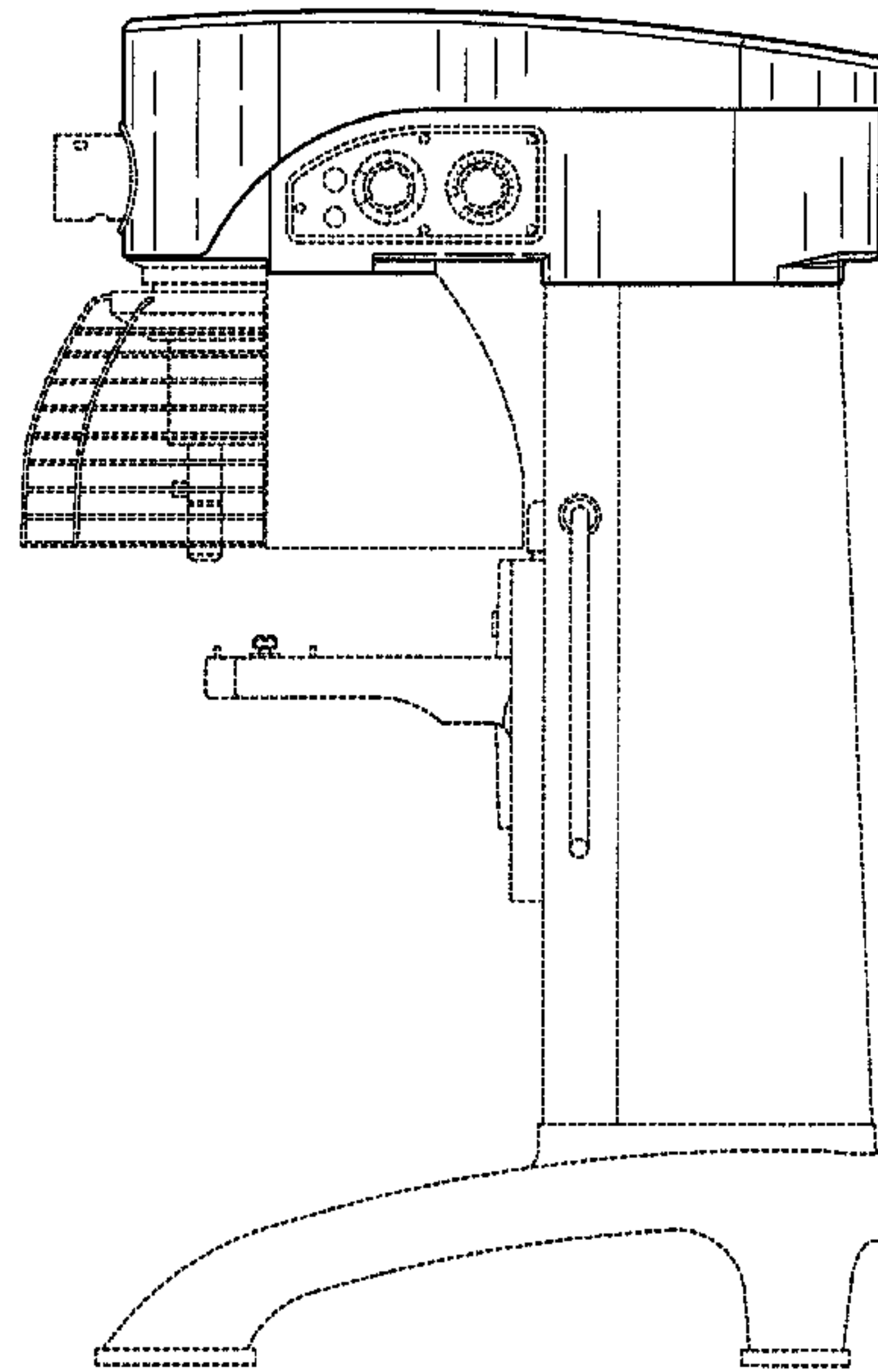
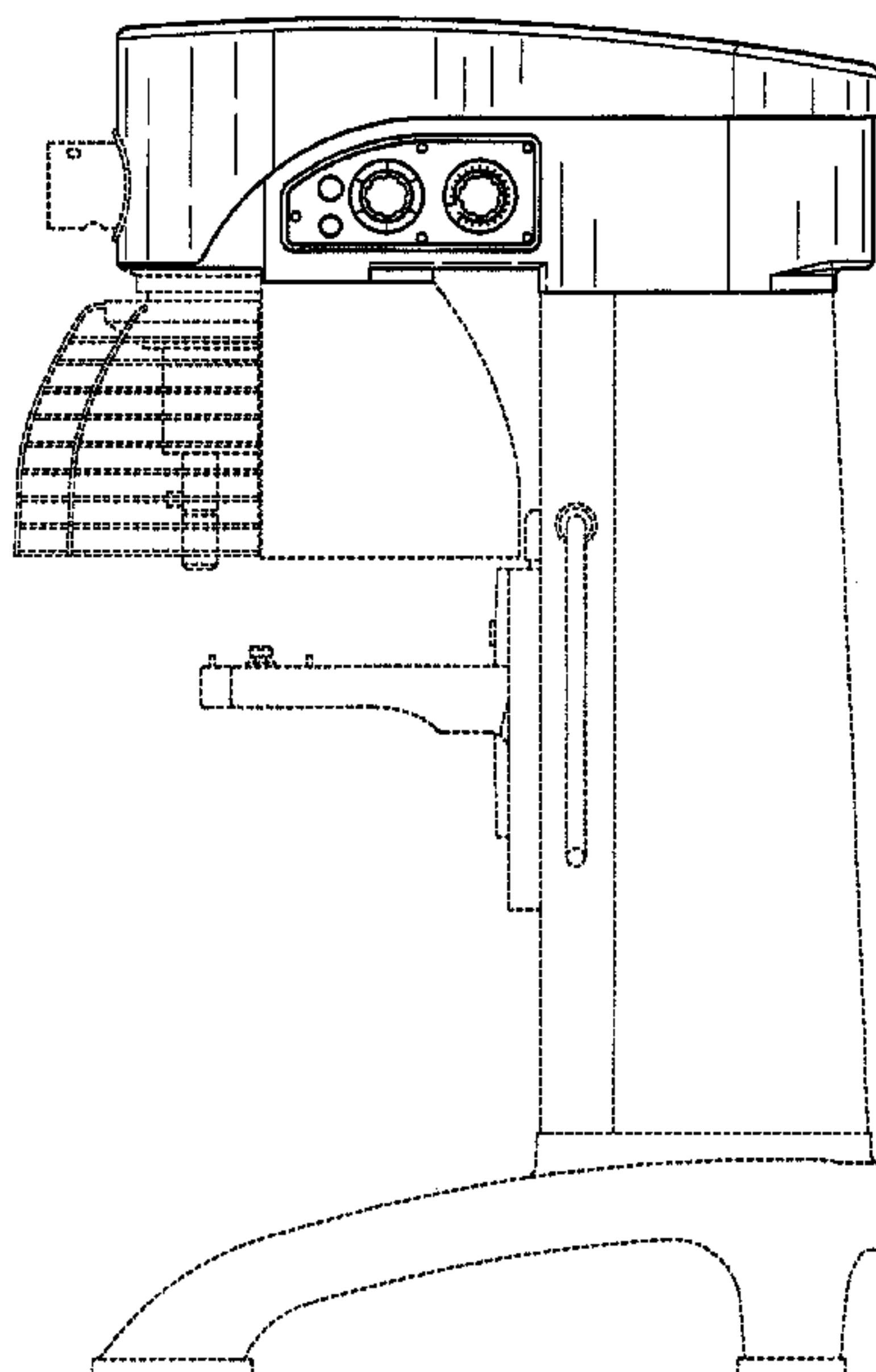
FIG. 10 is a rear view of the head portion of FIG. 7;

FIG. 11 is a top view of the head portion of FIG. 7; and,

FIG. 12 is a bottom view of the head portion of FIG. 7

The broken lines shown in the drawings are for illustrative purposes only and form no part of the claimed design.

1 Claim, 12 Drawing Sheets .



US D583,189 S

Page 2

U.S. PATENT DOCUMENTS

7,014,354 B2 *	3/2006	Donthnier et al.	366/203	7,387,430 B2 *	6/2008	Short et al.	366/197
D540,113 S *	4/2007	Short et al.	D7/376	2002/0181322 A1 *	12/2002	Brunswick et al.	366/197
7,273,315 B2 *	9/2007	Huang et al.	366/206	2004/0022124 A1 *	2/2004	Yoshioka	366/347
D564,297 S *	3/2008	Short et al.	D7/412	2004/0120216 A1 *	6/2004	Donthnier et al.	366/203
D564,298 S *	3/2008	Short et al.	D7/412	2004/0208082 A1 *	10/2004	Huang et al.	366/206
7,384,187 B2 *	6/2008	Blackburn et al.	366/206	2005/0141340 A1 *	6/2005	Donthnier et al.	366/207

* cited by examiner

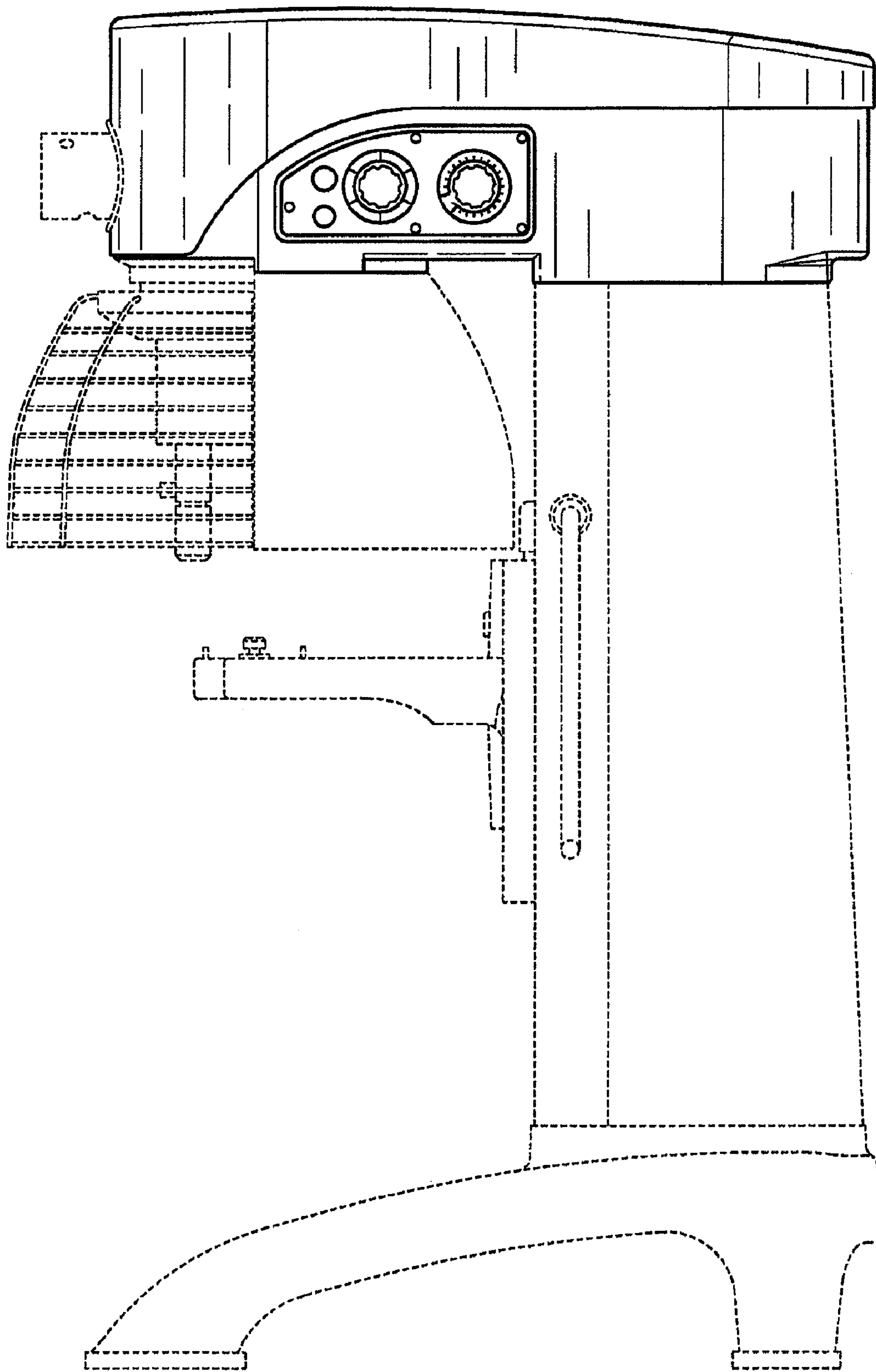


Fig. 1

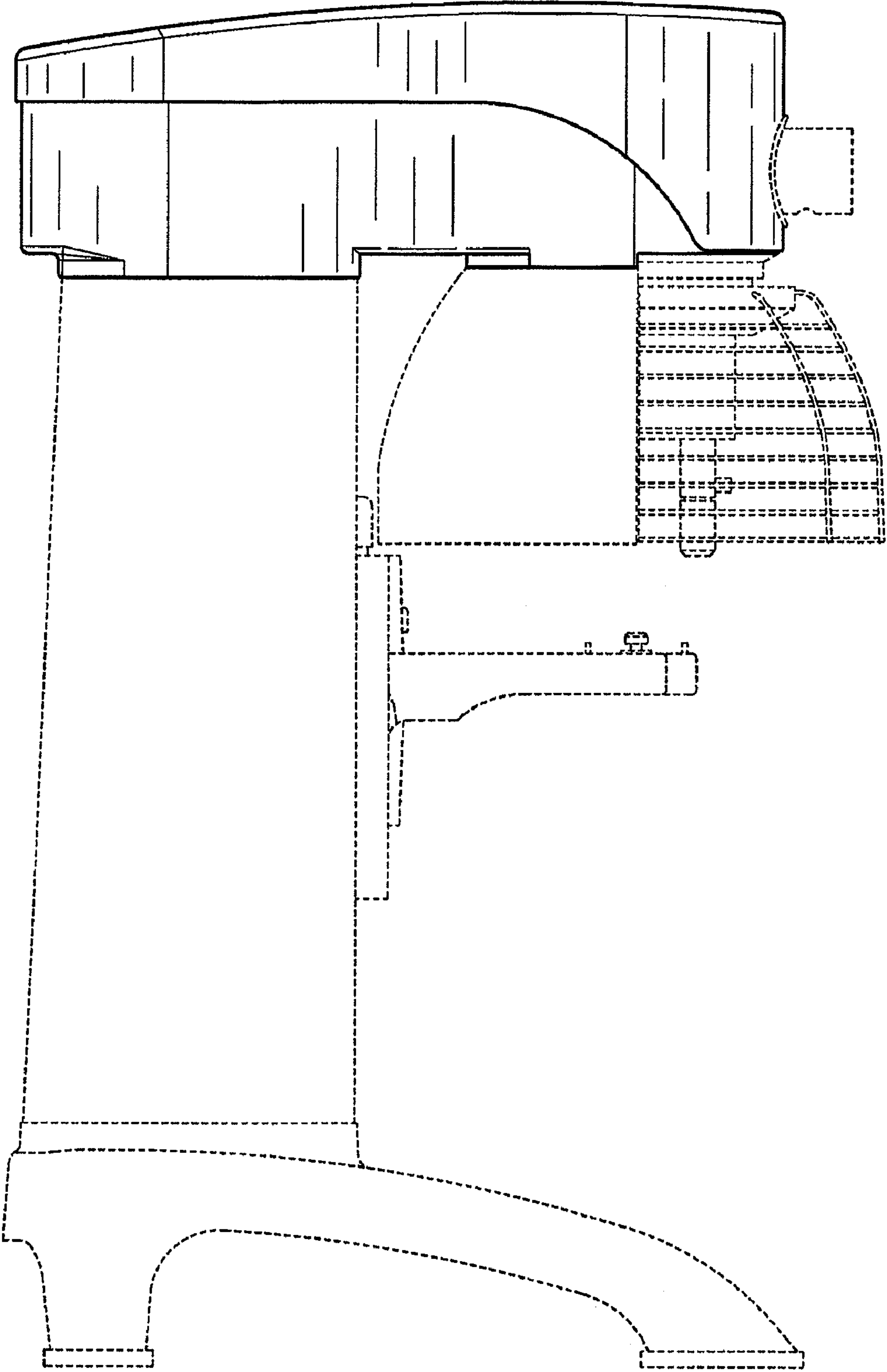


Fig. 2

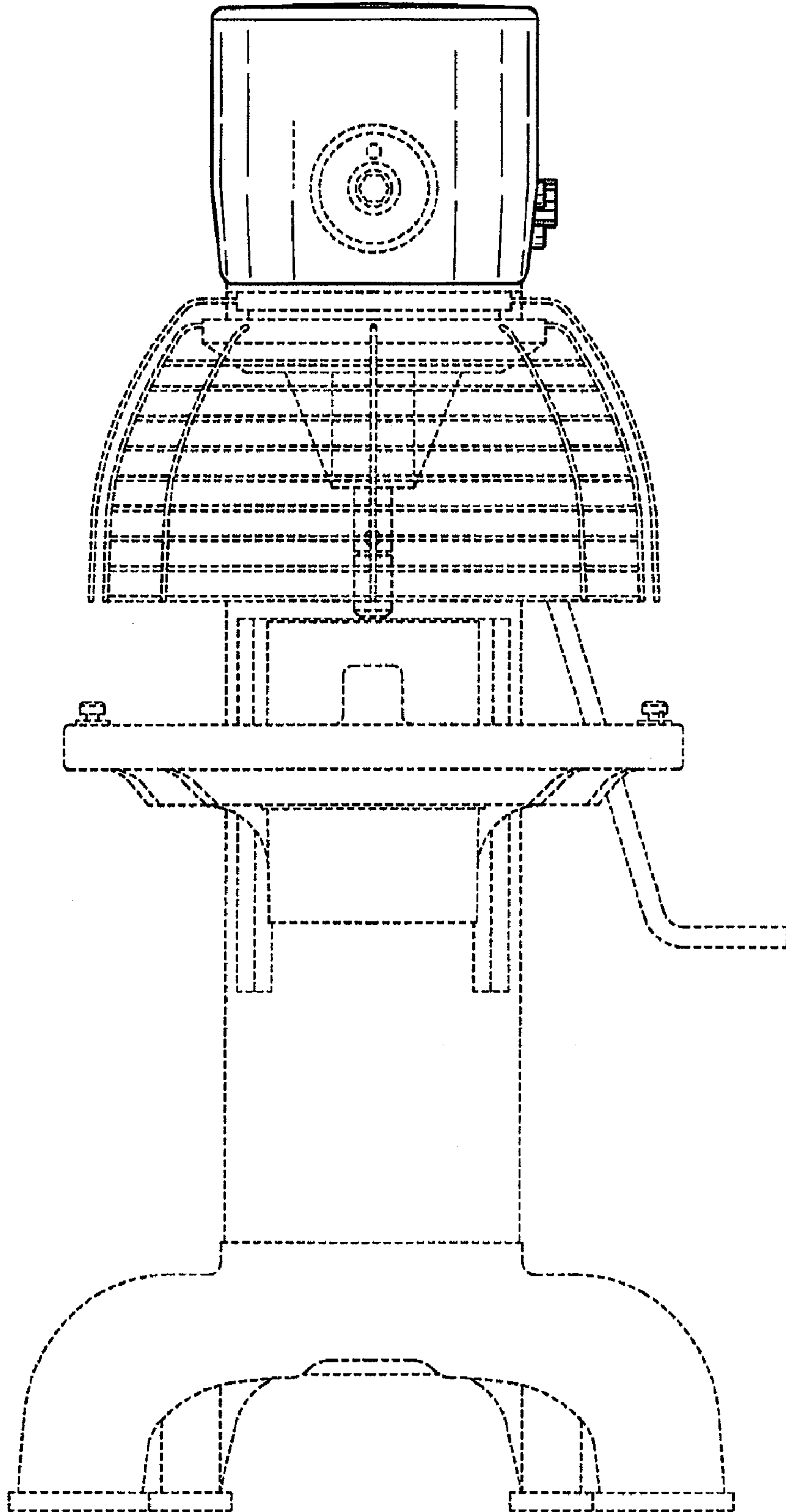


Fig. 3

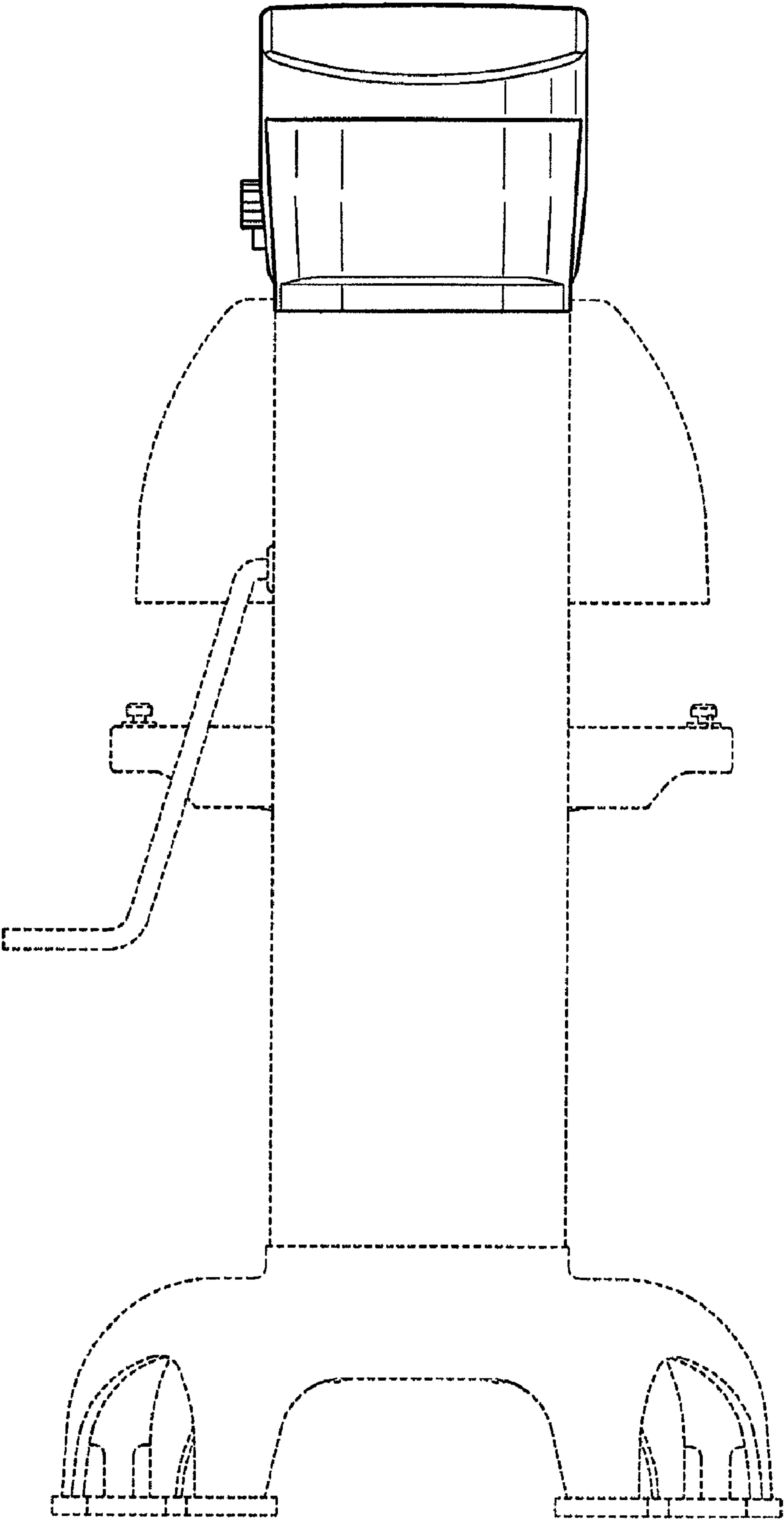


Fig. 4

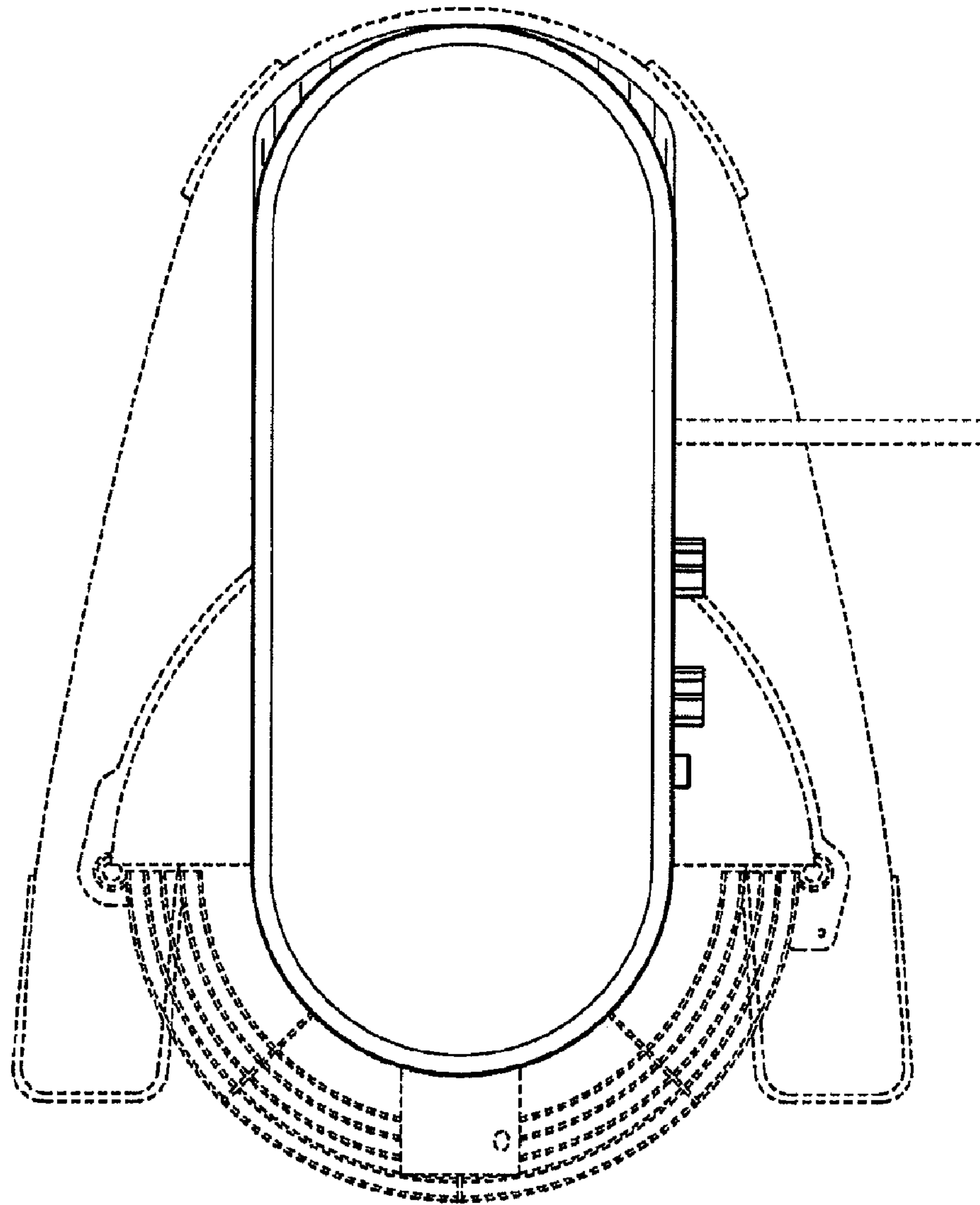


Fig. 5

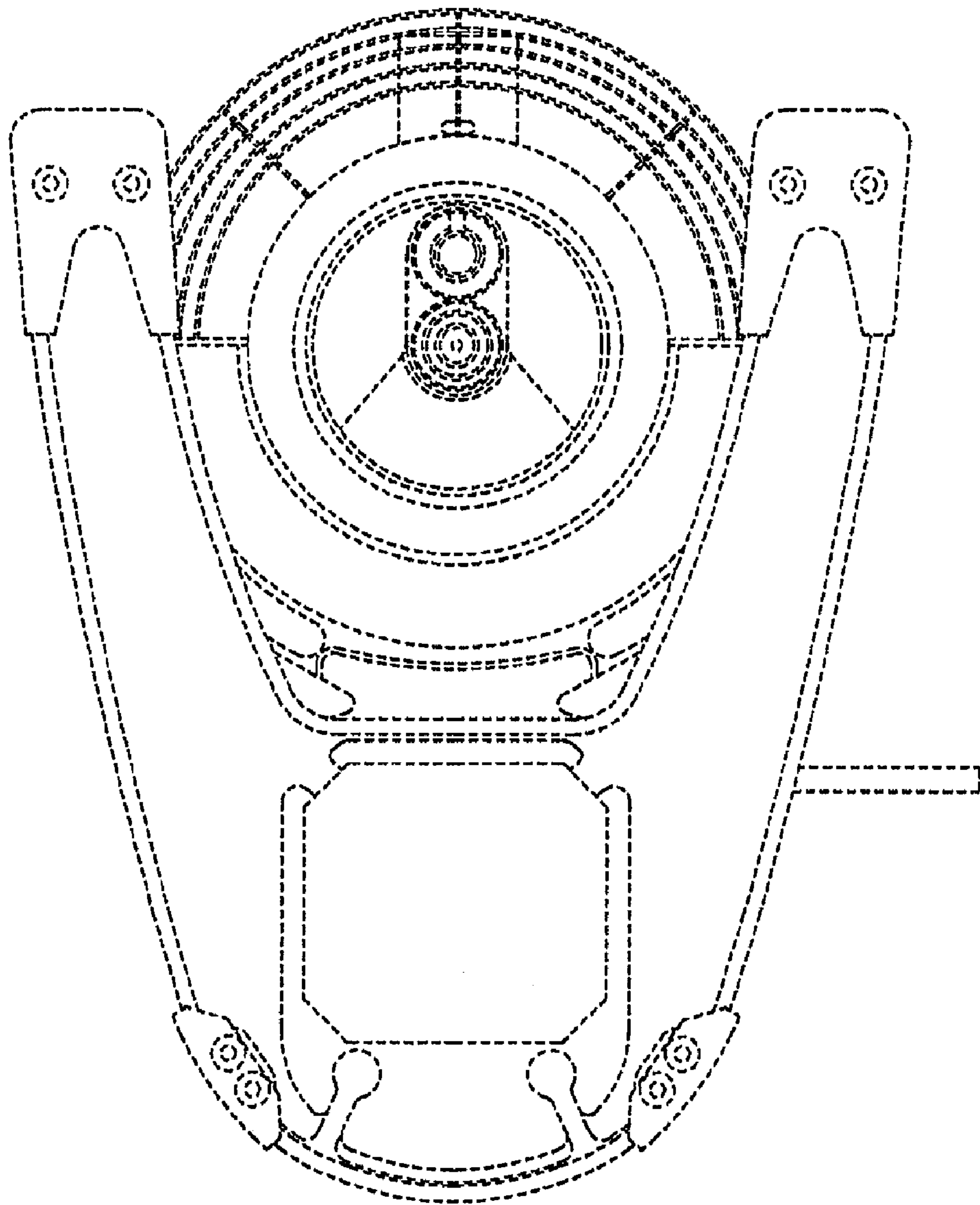


Fig. 6

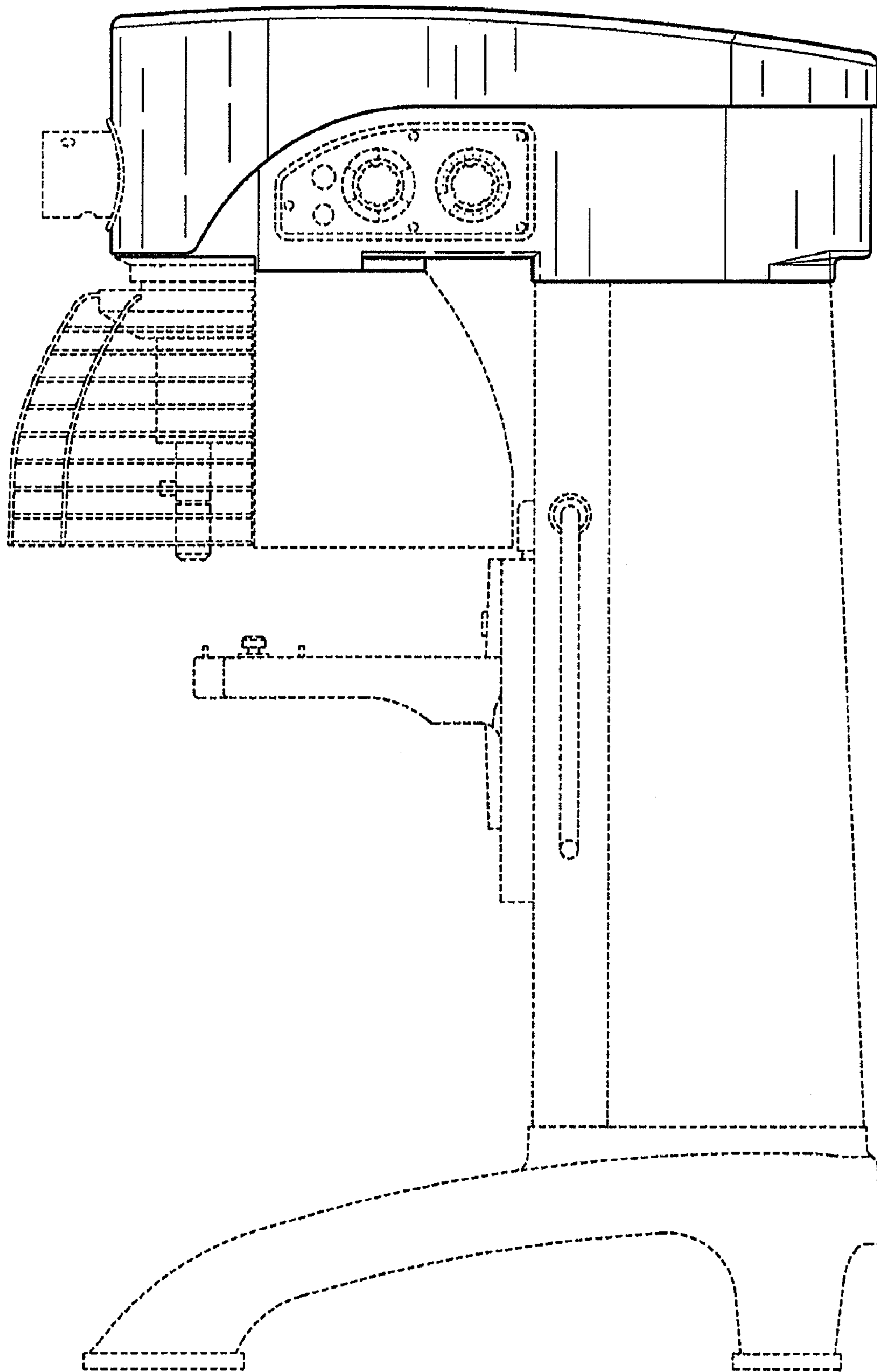


Fig. 7

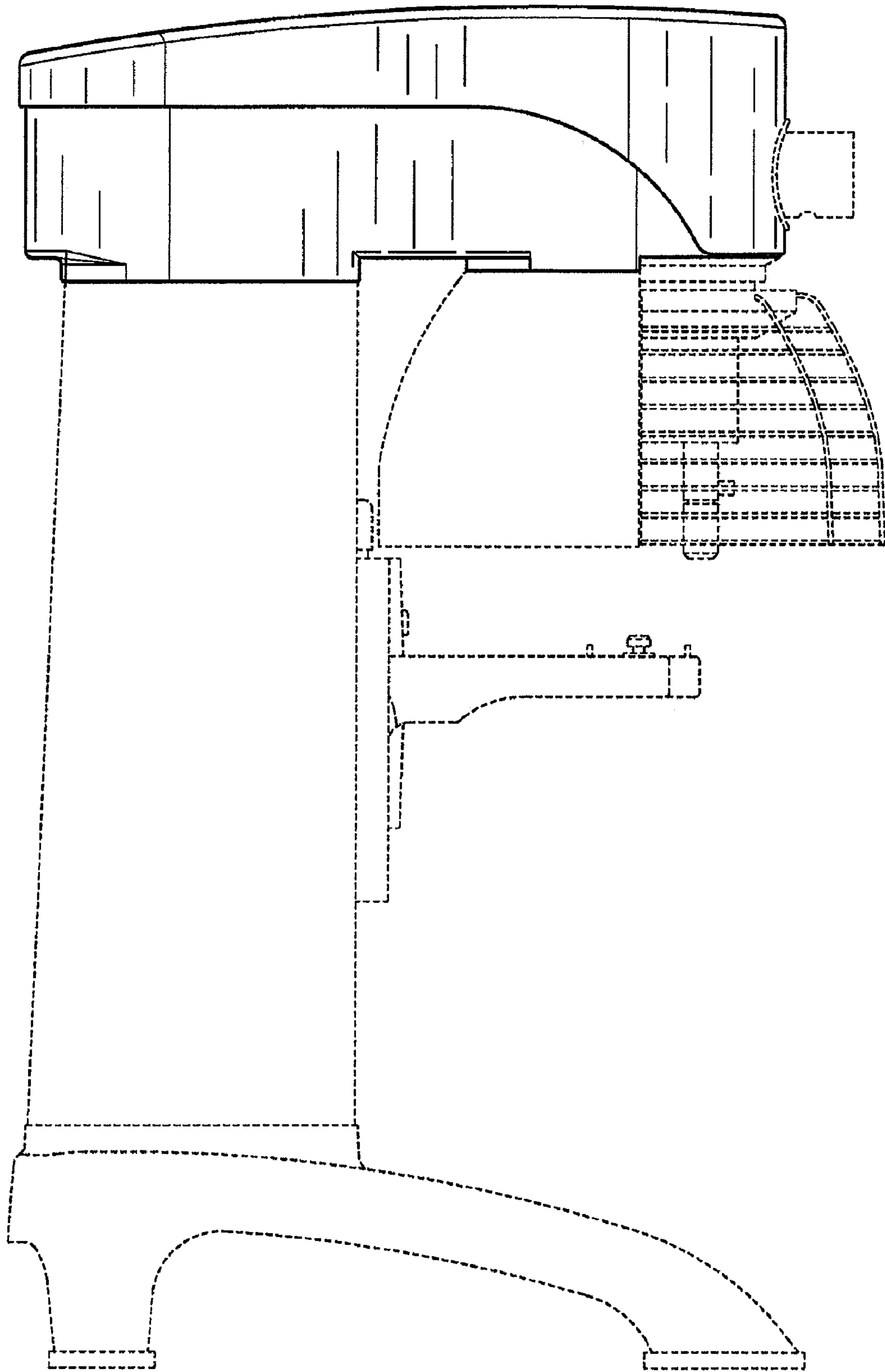


Fig. 8

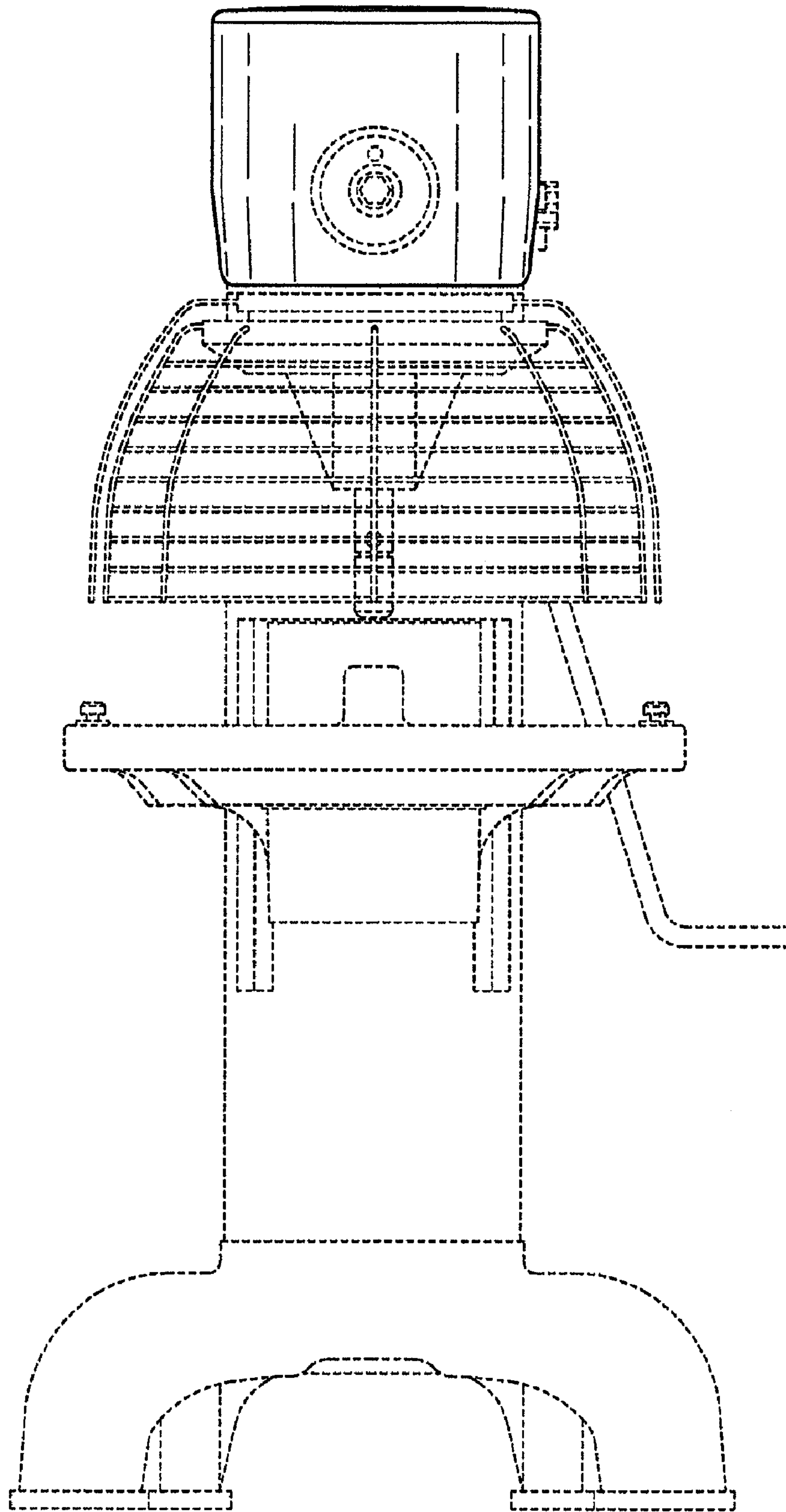


Fig. 9

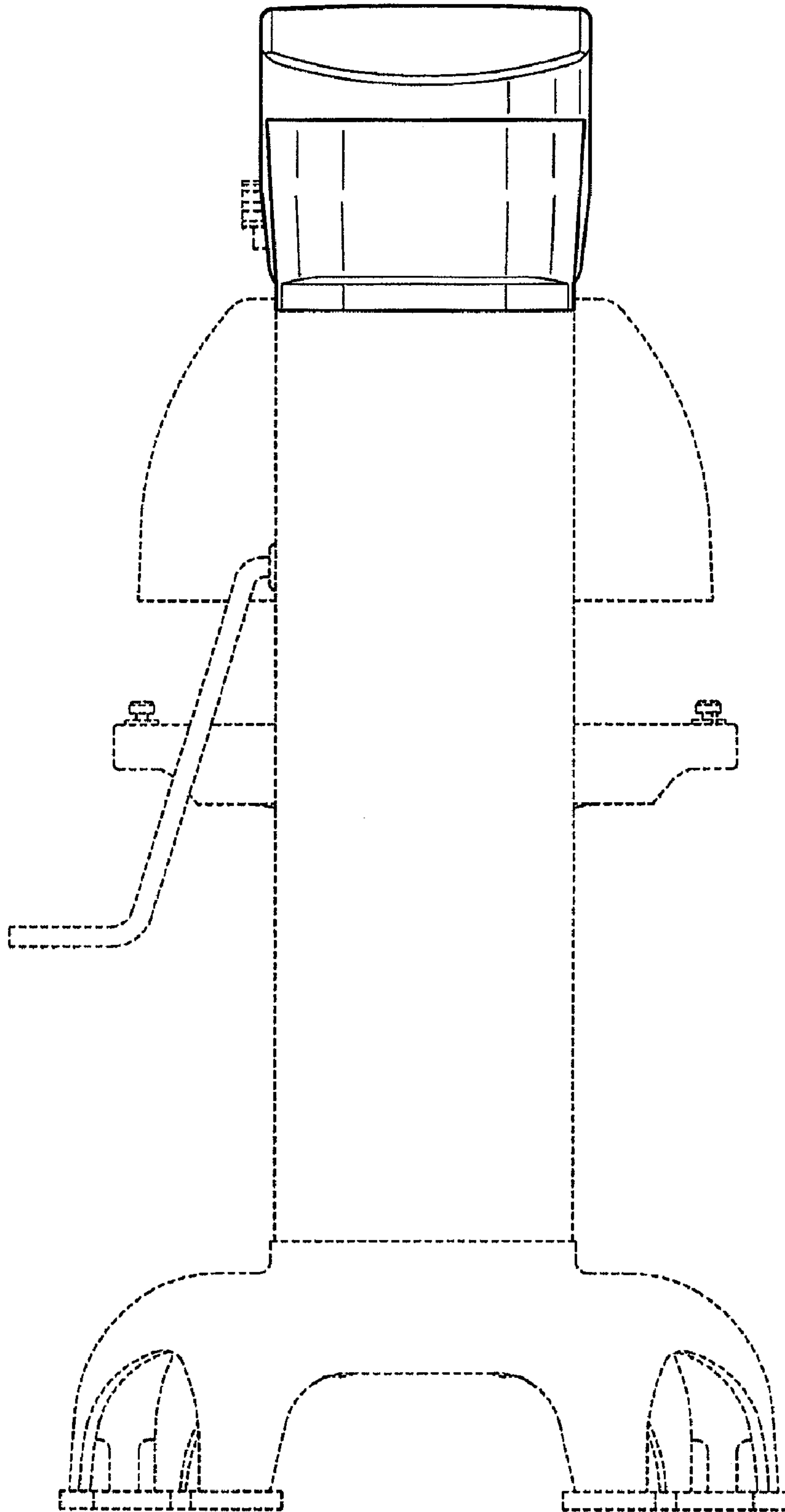


Fig. 10

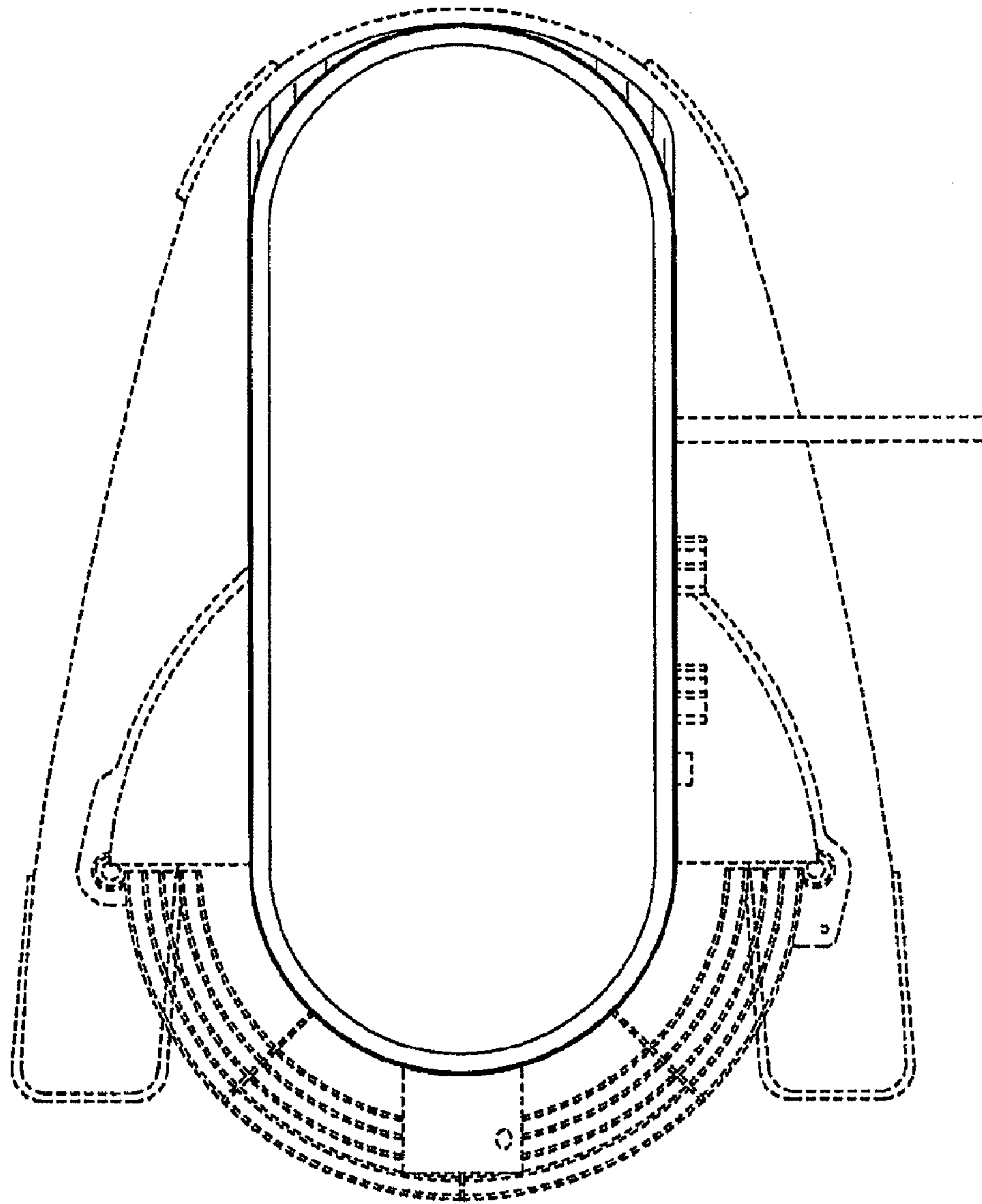


Fig. 11

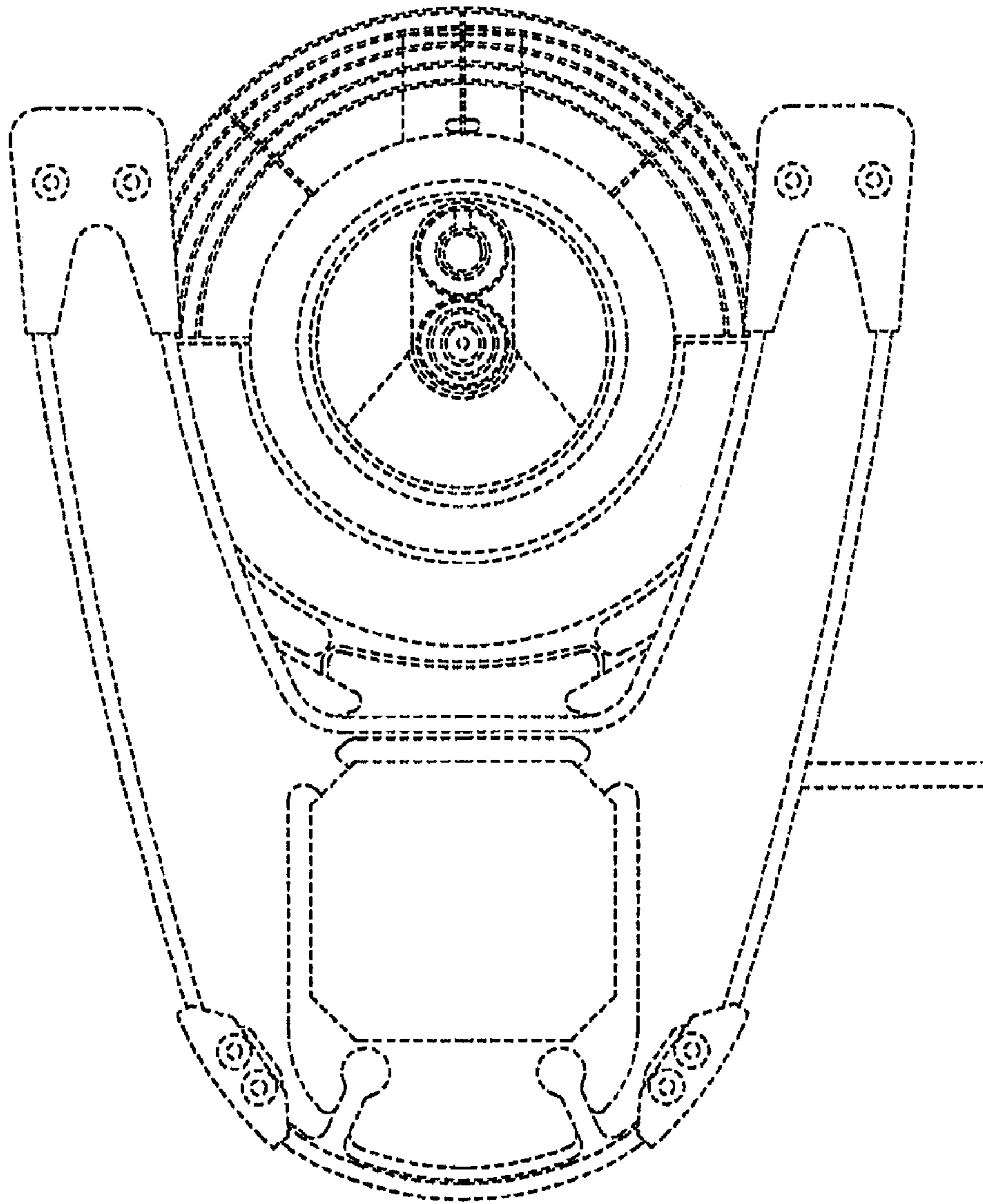


Fig. 12